



US00D937369S

(12) **United States Design Patent** (10) **Patent No.:** **US D937,369 S**  
**Jaquish et al.** (45) **Date of Patent:** **\*\* Nov. 30, 2021**

- (54) **EXERCISE APPARATUS**
- (71) Applicant: **Jaquish Biomedical Corporation**,  
Nevada City, CA (US)
- (72) Inventors: **John Paul Jaquish**, Nevada City, CA  
(US); **Paul Edward Jaquish**, Nevada  
City, CA (US); **Henry David Alkire**,  
Nevada City, CA (US)
- (73) Assignee: **Jaquish Biomedical Corporation**,  
Nevada City, CA (US)
- (\*\*) Term: **15 Years**
- (21) Appl. No.: **29/712,411**
- (22) Filed: **Nov. 7, 2019**
- (51) **LOC (13) Cl.** ..... **21-02**
- (52) **U.S. Cl.**  
USPC ..... **D21/679**
- (58) **Field of Classification Search**  
USPC ..... D21/687, 686, 669, 673, 679, 690, 691,  
D21/692, 694, 676, 674, 670, 663, 662,  
D21/423, 695, 682, 677, 688, 683, 684,  
D21/685, 665, 839, 470, 386, 801, 400,  
D21/675; D20/21; D7/682; D17/22;  
D30/160; D8/354, 363, 367, 373, 376  
See application file for complete search history.

- 4,200,281 A 4/1980 Wang
- 4,257,592 A 3/1981 Jones
- D263,327 S 3/1982 Cooper
- 4,441,707 A 4/1984 Bosch
- D287,283 S 12/1986 Johnson
- D289,538 S 4/1987 Wilson
- D309,933 S 8/1990 Brown, Jr.
- D320,428 S 10/1991 Rust

(Continued)

**OTHER PUBLICATIONS**

GoFit bar, announced 2016 [online], [site visited May 3, 2021]. Available on internet: [https://www.amazon.com/GoFit-RAB-Resistance-Training-Bar/dp/B01MTM7N97/ref=sr\\_1\\_31?dchild=1&keywords=exercise+bar+with+hook&qid=1619657583&s=sporting-goods&sr=1-31](https://www.amazon.com/GoFit-RAB-Resistance-Training-Bar/dp/B01MTM7N97/ref=sr_1_31?dchild=1&keywords=exercise+bar+with+hook&qid=1619657583&s=sporting-goods&sr=1-31) (Year: 2016).\*

(Continued)

*Primary Examiner* — Khawaja Anwar  
*Assistant Examiner* — Julice Seung Eun Oum  
(74) *Attorney, Agent, or Firm* — Morgan, Lewis & Bockius LLP

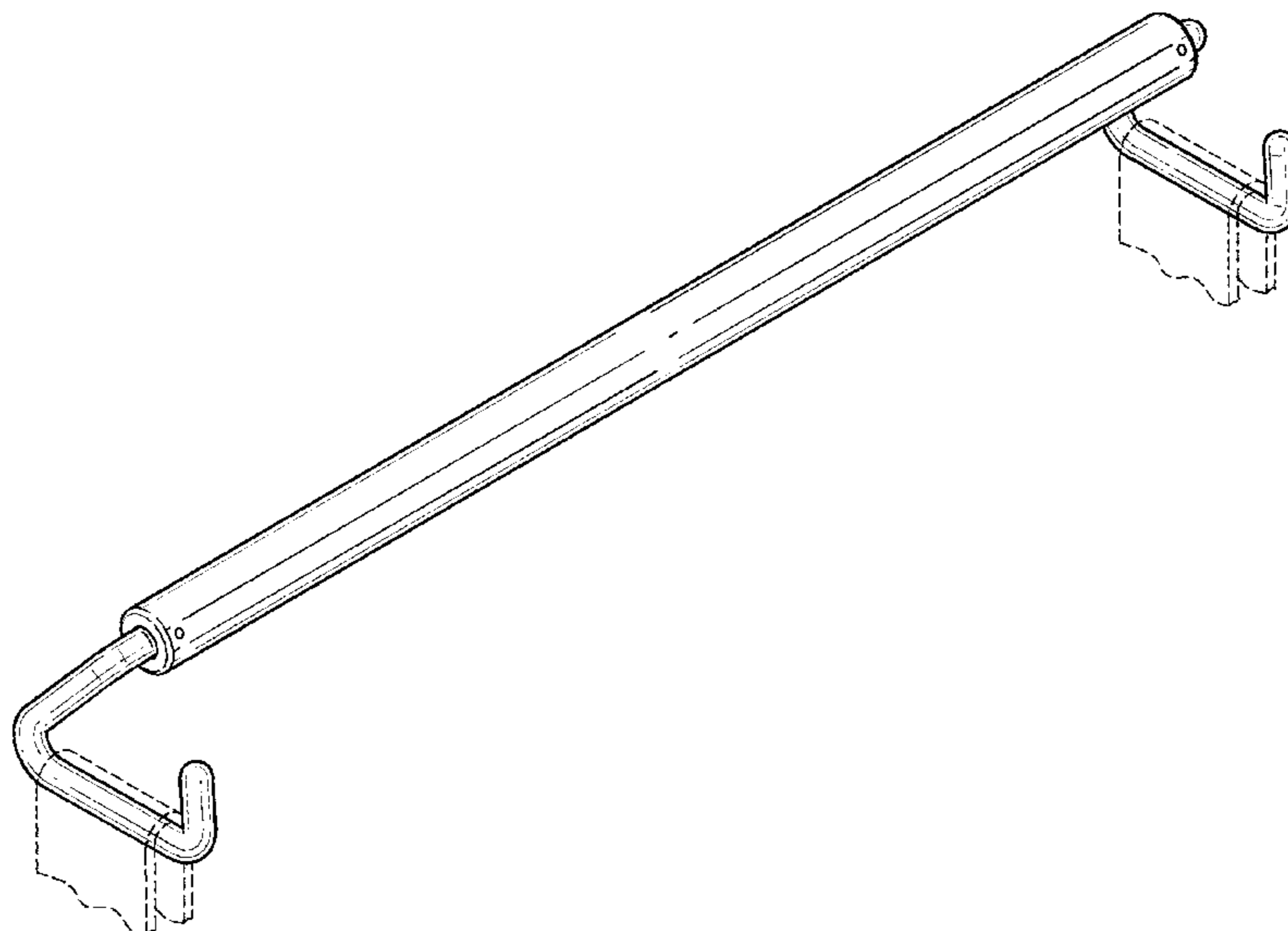
(57) **CLAIM**

The ornamental design for an exercise apparatus, as shown and described.

**DESCRIPTION**

FIG. 1 is a perspective view of an embodiment of our new design of an exercise apparatus; FIG. 2 is a front view of the design of FIG. 1; FIG. 3 is a back view of the design of FIG. 1; FIG. 4 is a top view of the design of FIG. 1; FIG. 5 is a bottom view of the design of FIG. 1; FIG. 6 is a first side view of the design of FIG. 1; and, FIG. 7 is a second side view of the design of FIG. 1. The broken lines illustrating the band in the above described Figures are for illustrative purposes only and form no part of the claimed design.

**1 Claim, 6 Drawing Sheets**



(56)

References Cited

U.S. PATENT DOCUMENTS

D330,057 S 10/1992 Saunders  
 D330,234 S 10/1992 Saunders  
 D330,235 S 10/1992 Traetta  
 5,154,678 A 10/1992 Adamczyk  
 5,178,596 A 1/1993 McIntire  
 5,197,934 A 3/1993 Wirtz  
 5,213,554 A 5/1993 Goldstein  
 D337,362 S 7/1993 Goldstein  
 5,226,865 A 7/1993 Chin  
 D339,179 S 9/1993 Wilkinson  
 D339,619 S 9/1993 Bugnaski  
 D342,298 S 12/1993 Schnabel, Jr.  
 D342,771 S 12/1993 Tandberg  
 D349,540 S 8/1994 Hand  
 D353,419 S 12/1994 Sprague  
 D353,637 S 12/1994 Huang  
 5,472,390 A 12/1995 Faye  
 D365,861 S 1/1996 Moss, Jr.  
 D369,627 S 5/1996 Thor  
 5,514,058 A 5/1996 Buoni  
 D371,176 S 6/1996 Furner  
 5,540,642 A 7/1996 Sprague  
 5,645,511 A \* 7/1997 Le Roux ..... A63B 23/0458  
 482/142  
 5,653,665 A 8/1997 Neeley  
 5,688,213 A 11/1997 Recker  
 5,746,687 A 5/1998 Vial  
 5,776,041 A 7/1998 Fisher  
 5,885,196 A 3/1999 Gvoich  
 D408,555 S 4/1999 Albrecht  
 6,203,476 B1 3/2001 Wang et al.  
 6,280,366 B1 8/2001 Hsieh  
 D474,818 S 5/2003 Yu  
 D482,748 S 11/2003 Flynt  
 D495,379 S 8/2004 Dubus  
 D519,172 S 4/2006 Penat  
 7,052,449 B2 5/2006 Chen  
 D526,367 S \* 8/2006 Loccarini ..... D21/662  
 7,175,574 B2 2/2007 Carmel et al.  
 D542,867 S 5/2007 Teruo  
 D556,841 S 12/2007 Oates  
 D564,604 S 3/2008 Mikail  
 7,387,599 B1 6/2008 Hsu  
 D576,007 S \* 9/2008 Murdock ..... D8/70  
 D583,883 S 12/2008 Thomas  
 D590,457 S 4/2009 Mishan  
 7,578,775 B2 8/2009 Terry  
 7,601,101 B2 10/2009 Jackson  
 D604,374 S 11/2009 Bizzell  
 D610,638 S 2/2010 Friess  
 D626,607 S 11/2010 Kim  
 D629,291 S \* 12/2010 Veilleux ..... D8/370  
 D633,155 S \* 2/2011 Brun ..... D21/679  
 7,922,624 B1 4/2011 Fairhurst  
 D655,356 S \* 3/2012 Sandman ..... D21/679  
 D657,008 S 4/2012 Markovic  
 D670,345 S 11/2012 Guarrasi  
 D680,599 S 4/2013 Orenstein  
 D681,138 S 4/2013 Hodgkins  
 D681,750 S 5/2013 Meyer-Hayoz  
 D682,374 S \* 5/2013 Wilkinson ..... D21/686  
 D694,348 S 11/2013 Rankin

D695,367 S 12/2013 Lovegrove  
 8,870,722 B2 10/2014 Kassel  
 D717,381 S 11/2014 Orenstein  
 D723,637 S 3/2015 Mercado  
 D724,163 S 3/2015 Kelley  
 D733,226 S 6/2015 Abbate  
 D739,481 S \* 9/2015 Glickfield ..... D21/671  
 D748,744 S 2/2016 Hansen  
 D748,745 S \* 2/2016 Hansen ..... D21/679  
 9,254,405 B1 \* 2/2016 Marji ..... A63B 21/02  
 D764,607 S 8/2016 Beckford  
 D778,374 S \* 2/2017 Jaquish ..... D21/686  
 D785,106 S 4/2017 Panes  
 D785,731 S 5/2017 Stack  
 D798,396 S \* 9/2017 Agate ..... D21/679  
 D802,153 S \* 11/2017 Kelly ..... D24/188  
 D804,590 S 12/2017 Hillson  
 D806,806 S 1/2018 Chen  
 D825,696 S 8/2018 Mercenari Uribe  
 D825,697 S 8/2018 Mercenari Uribe  
 D834,115 S 11/2018 Gilbert  
 D842,940 S \* 3/2019 Harden ..... D21/679  
 D849,857 S \* 5/2019 Tartell ..... D21/688  
 D853,505 S 7/2019 Toueg  
 D854,635 S \* 7/2019 Dunahay ..... D21/679  
 D855,718 S 8/2019 Hsu  
 D864,316 S 10/2019 Brown  
 D865,084 S \* 10/2019 Croxton ..... D21/679  
 D875,194 S 2/2020 Zhou  
 D878,186 S \* 3/2020 Toye ..... D8/370  
 D902,834 S \* 11/2020 Kern ..... D12/406  
 D922,180 S \* 6/2021 Huawei ..... D8/367  
 D922,181 S \* 6/2021 Wildrick ..... D8/367  
 2002/0137609 A1 9/2002 Rosati  
 2005/0101453 A1 5/2005 Jeneve  
 2005/0239617 A1 10/2005 Tenaglia  
 2006/0128540 A1 6/2006 Engle  
 2007/0207903 A1 9/2007 Csabai  
 2007/0207905 A1 9/2007 Winston  
 2009/0093349 A1 4/2009 Cooper  
 2010/0227747 A1 9/2010 Cook  
 2011/0207583 A1 8/2011 Elpers  
 2011/0256987 A1 10/2011 Lepore  
 2014/0228180 A1 8/2014 Walker  
 2014/0336019 A1 \* 11/2014 Villella ..... A63B 21/0724  
 482/106  
 2015/0367159 A1 12/2015 Harris  
 2016/0199689 A1 7/2016 Irwin  
 2017/0080284 A1 3/2017 Hillson  
 2018/0236299 A1 8/2018 Warriner  
 2019/0069650 A1 3/2019 Walker  
 2019/0217147 A1 7/2019 Garcia

OTHER PUBLICATIONS

Jaquishbiomedical, "GH Accelerator", Nov. 13, 2019. <https://www.jaquishbionnedical.com/products/gh-accelerator/#reviews>. Shown on p. 1. (Year: 2019).  
 Jaquishbiomedical, "X Bar Elite", Apr. 20, 2020. <https://www.jaquishbiomedical.com/products/>. Shown on p. 1. (Year 2020).  
 Youtube, "Introducing the GHAccelerator", Nov. 12, 2018. <https://www.youtube.com/watch?v=IL-CahGcpOI>. Shown at the 2:00 minute mark. (Year: 2018).

\* cited by examiner

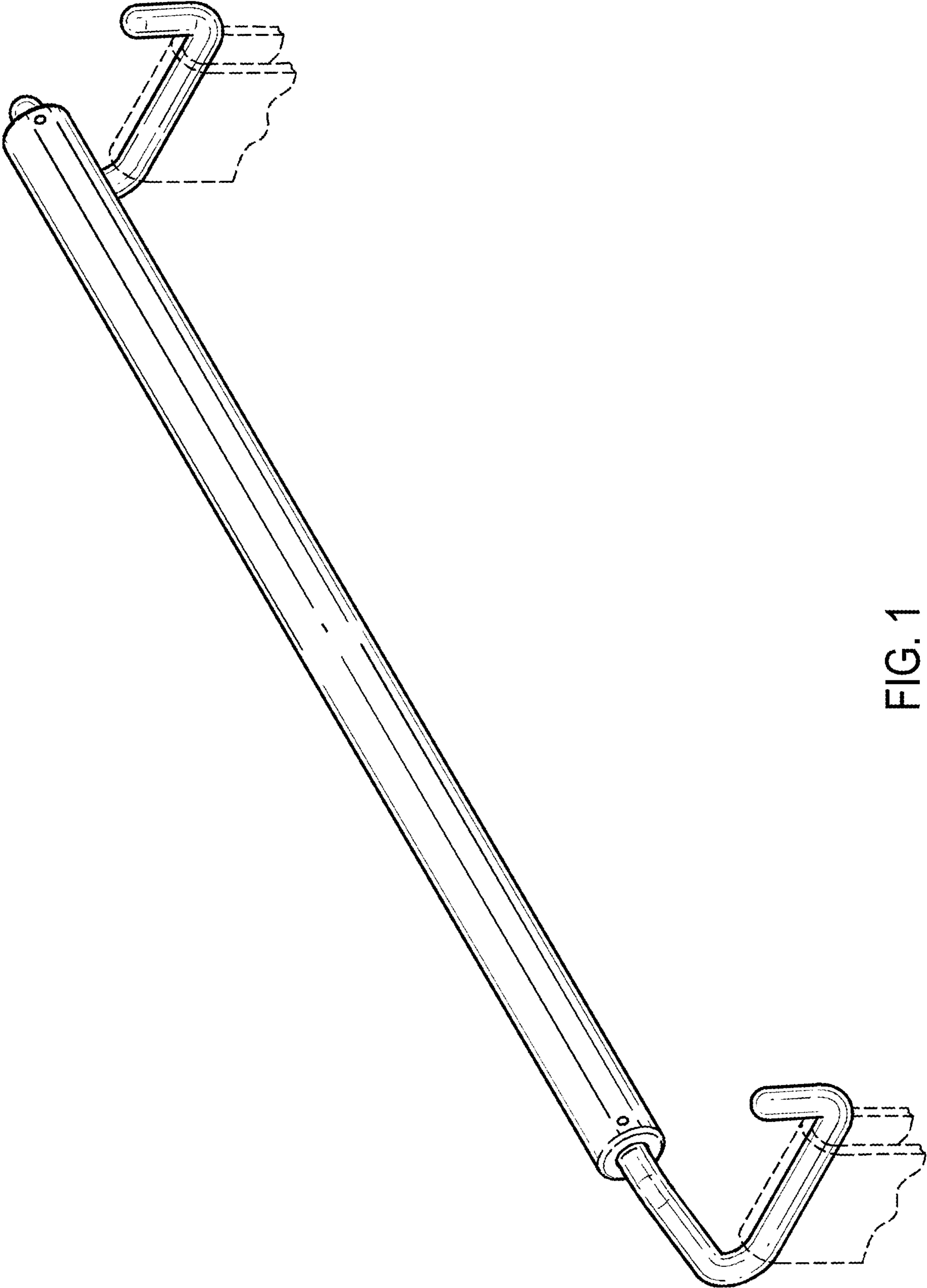


FIG. 1

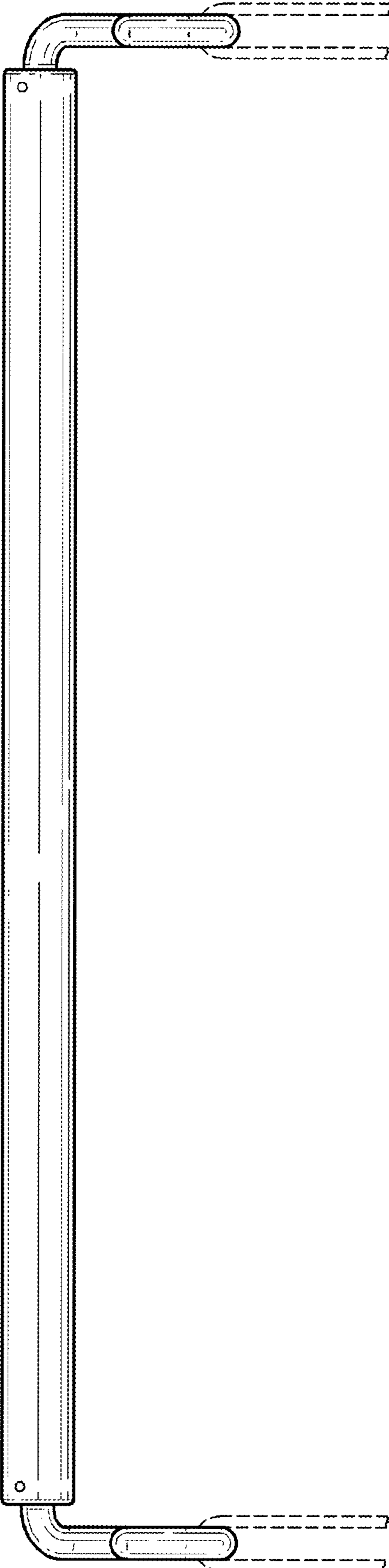


FIG. 2

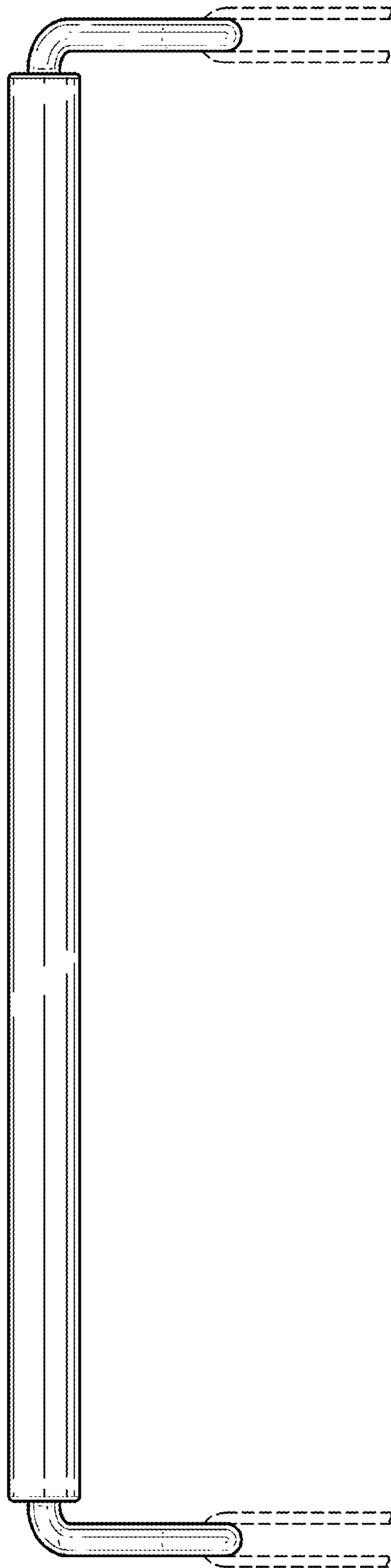


FIG. 3

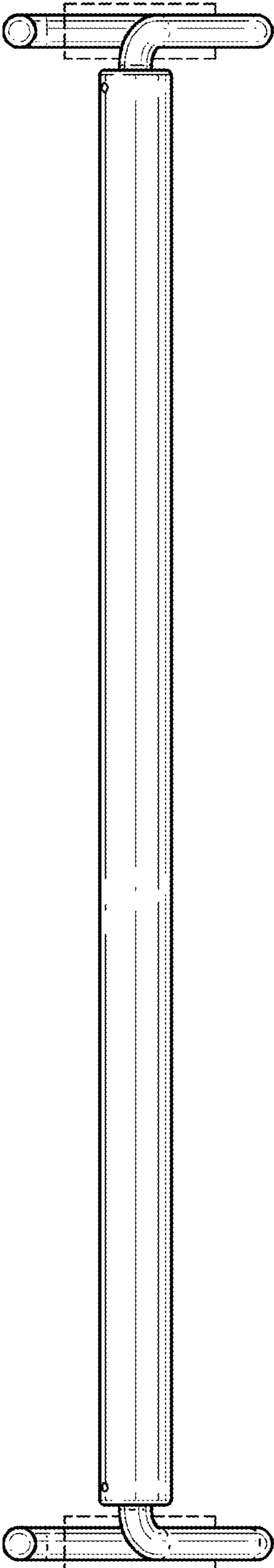


FIG. 4

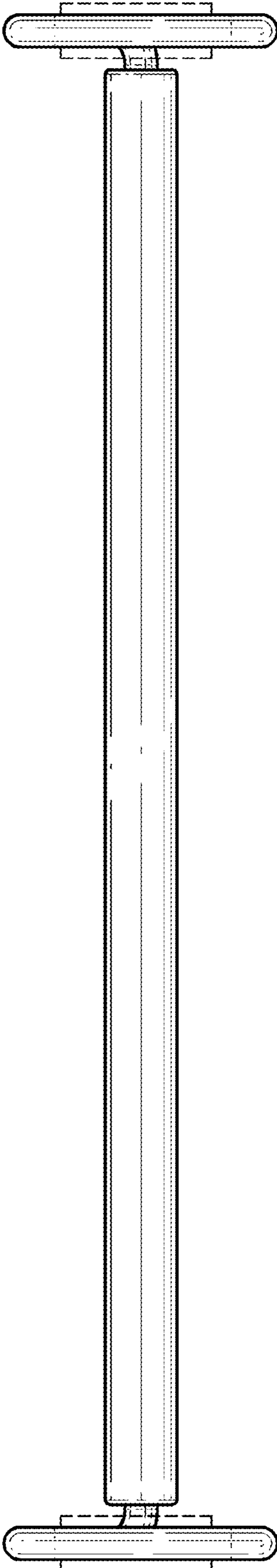


FIG. 5

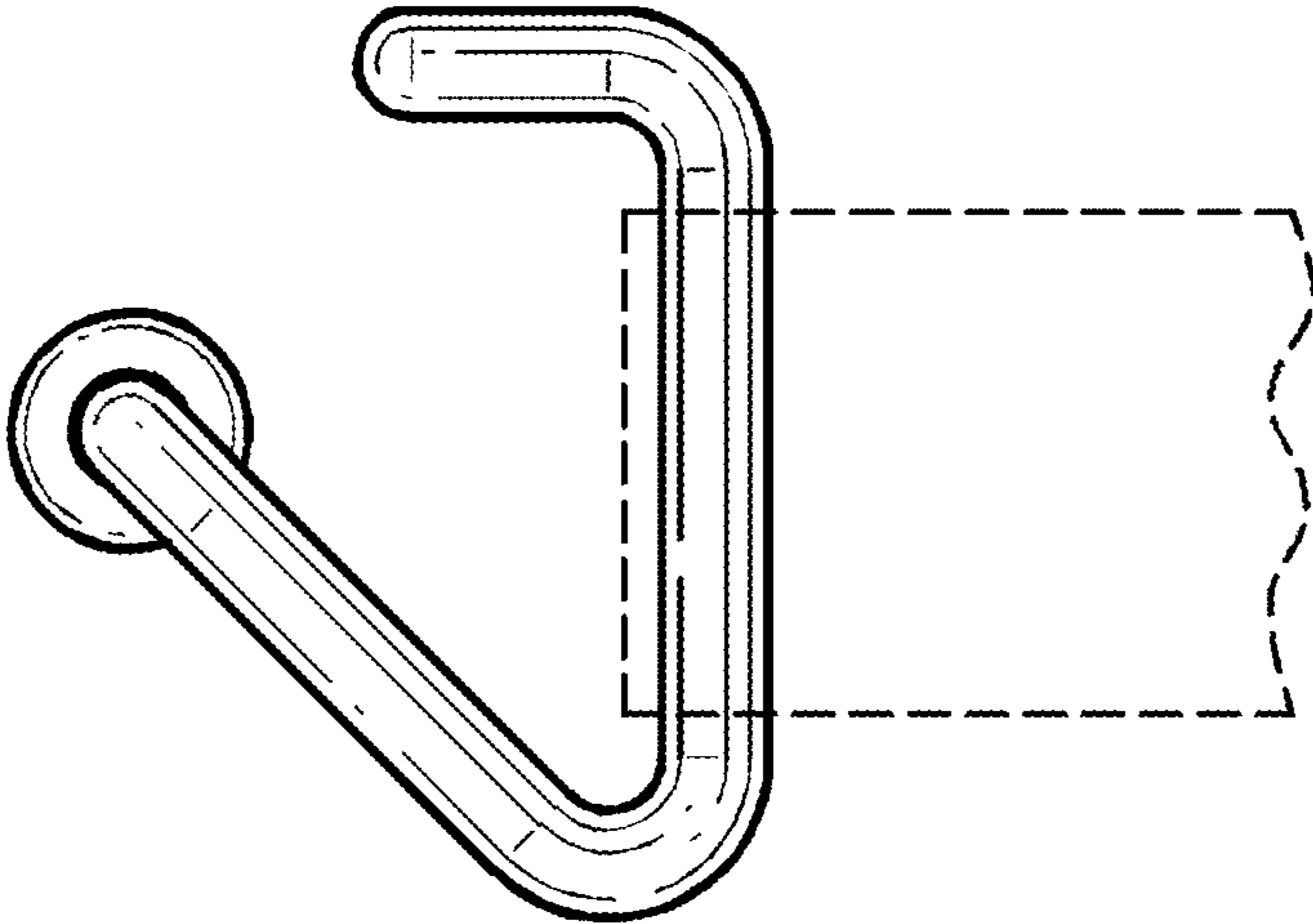


FIG. 7

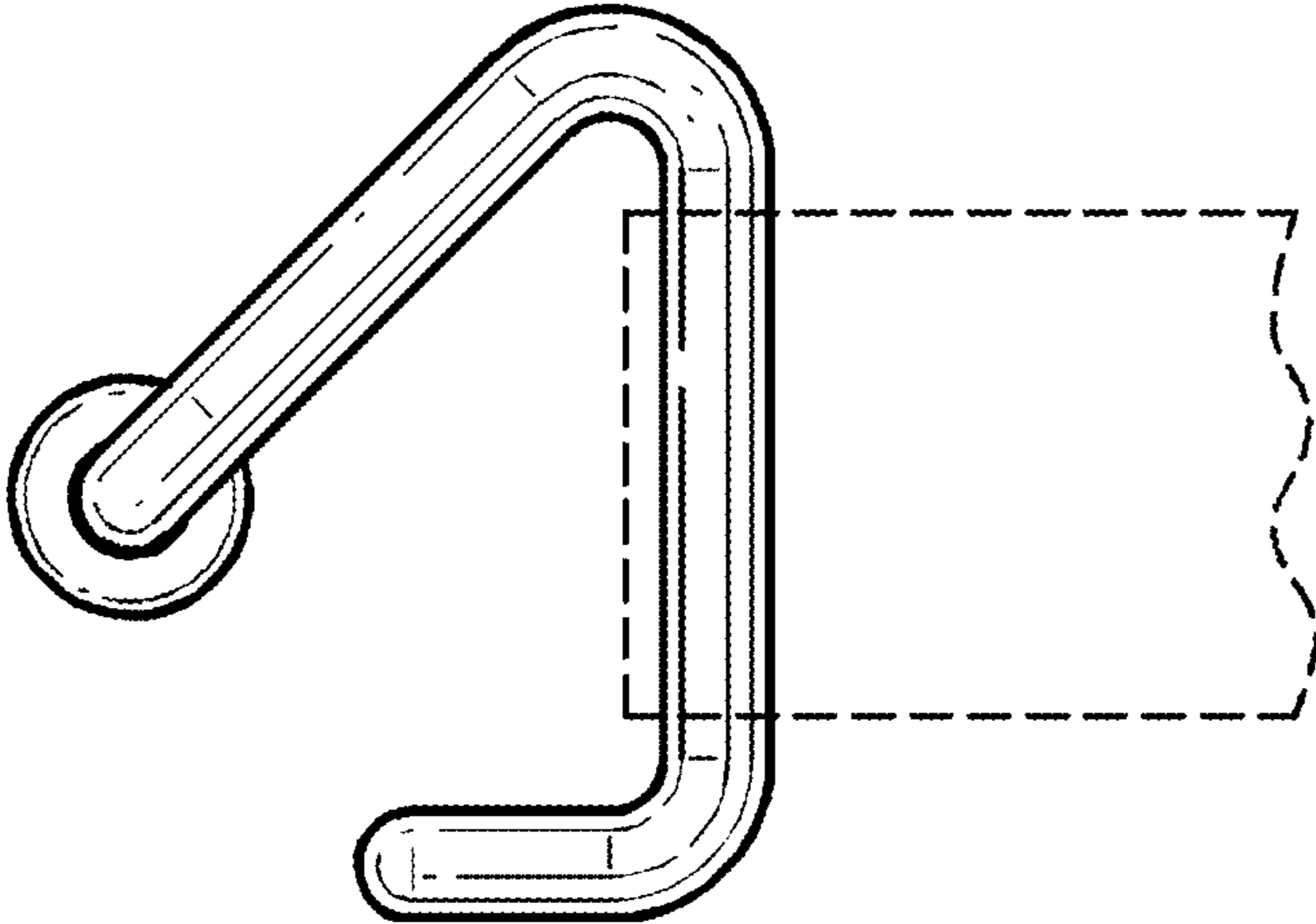


FIG. 6