



US00D937368S

(12) **United States Design Patent**  
**Behar et al.**

(10) **Patent No.:** **US D937,368 S**

(45) **Date of Patent:** **\*\* Nov. 30, 2021**

(54) **EXERCISE DEVICE**

(71) Applicant: **Interactive Strength, Inc.**, Carson City, NV (US)

(72) Inventors: **Yves Albert Behar**, San Francisco, CA (US); **Trent Ward**, West Hollywood, CA (US); **William Stuart**, San Francisco, CA (US); **Andrea Locatelli**, Milan (IT); **Jón Reyrr Jóhannesson**, San Francisco, CA (US); **Roland Jeffrey Wyatt**, Bozeman, MT (US)

(73) Assignee: **Interactive Strength, Inc.**, Carson City, NV (US)

(\*\*) Term: **15 Years**

(21) Appl. No.: **29/722,971**

(22) Filed: **Feb. 3, 2020**

(51) **LOC (13) Cl.** ..... **21-02**

(52) **U.S. Cl.**  
USPC ..... **D21/673**

(58) **Field of Classification Search**  
USPC .... 482/99, 100, 139, 94, 140, 8, 93, 95, 79, 482/103; D21/694, 673, 675, 676, 686, D21/690  
CPC ..... A63B 21/0628; A63B 21/4047; A63B 21/4035; A63B 2208/0233; A63B 23/03525; A63B 21/154; A63B 23/03533; A63B 23/12; A63B 21/4029; A63B 2210/50  
See application file for complete search history.

(56) **References Cited**

**U.S. PATENT DOCUMENTS**

6,296,594 B1 \* 10/2001 Simonson ..... A63B 21/154  
482/102  
7,172,538 B2 \* 2/2007 Keiser ..... A63B 21/0087  
482/140

D586,410 S \* 2/2009 Citterio ..... D21/673  
7,601,105 B1 \* 10/2009 Gipson, III ..... A63B 21/055  
482/103  
D612,437 S \* 3/2010 Fenster ..... D21/694  
7,909,742 B2 \* 3/2011 Ish, III ..... A63B 21/0628  
482/97  
8,096,926 B1 \* 1/2012 Batca ..... A63B 21/0628  
482/99  
D679,764 S \* 4/2013 Alessandri ..... D21/675  
8,500,607 B2 \* 8/2013 Vittone ..... A63B 21/151  
482/93

(Continued)

**OTHER PUBLICATIONS**

Tonal by Tonal dated no date given. Found online [Jul. 14, 2021] <https://www.tonal.com/equipment/>.\*

(Continued)

*Primary Examiner* — Ryan Harvey

(74) *Attorney, Agent, or Firm* — David R. Stevens; Stevens Law Group

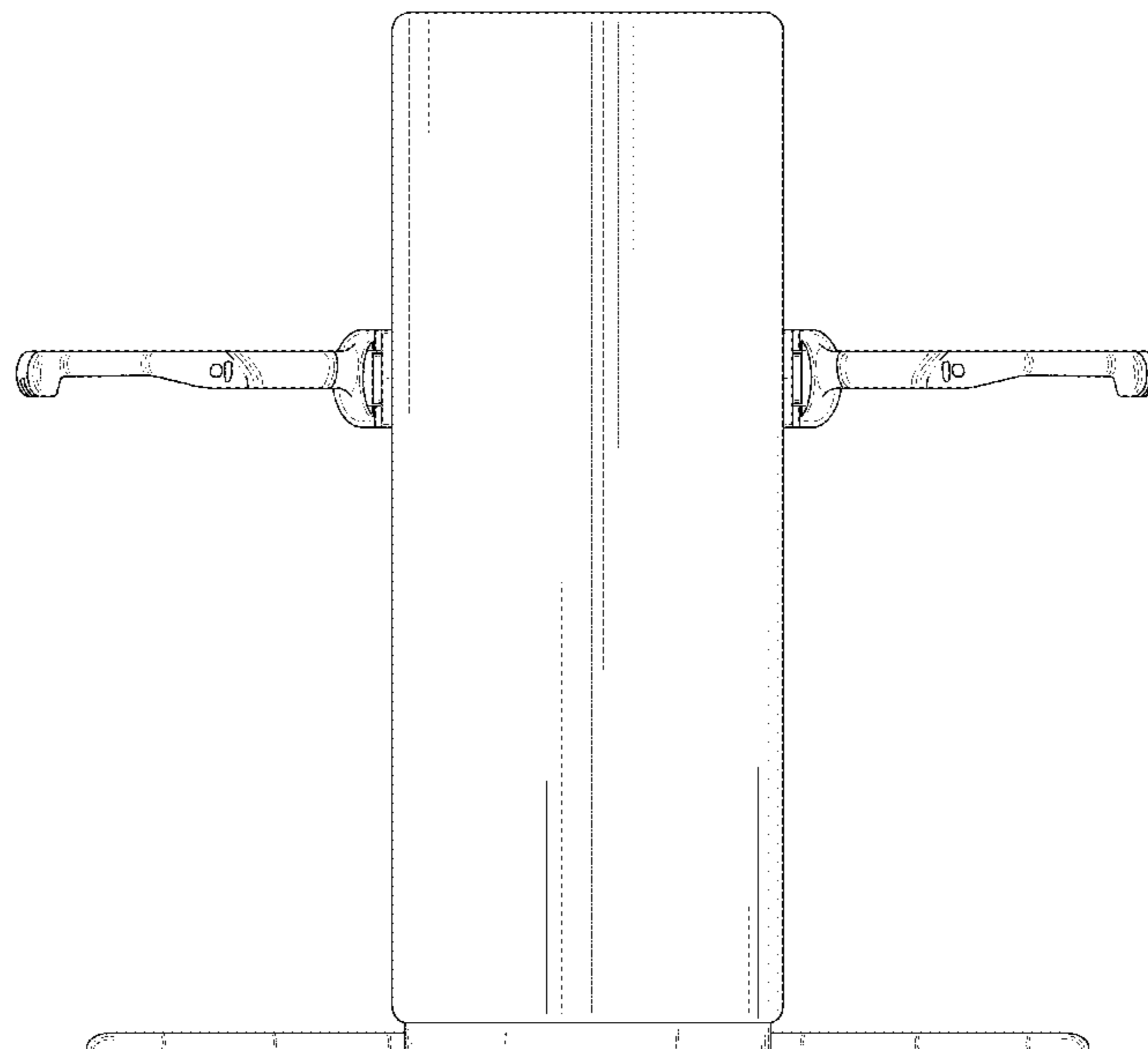
(57) **CLAIM**

The ornamental design for an exercise device, as shown and described.

**DESCRIPTION**

FIG. 1 is a front view of an exercise device.  
FIG. 2 is a rear view of the exercise device of FIG. 1.  
FIG. 3 is a left side view of the exercise device of FIG. 1.  
FIG. 4 is a right side view of the exercise device of FIG. 1.  
FIG. 5 is a top view of the exercise device of FIG. 1; and, FIG. 6 is a bottom view of the exercise device of FIG. 1.  
In the illustrated design, the dash-dot-dot-dash lines represent a boundary between a first appearance and a contrasting appearance.

**1 Claim, 6 Drawing Sheets**



(56)

References Cited

U.S. PATENT DOCUMENTS

8,506,459 B2 \* 8/2013 Cassidy ..... A63B 23/0355  
482/94  
8,550,964 B2 \* 10/2013 Ish, III ..... A63B 21/4015  
482/95  
D692,971 S \* 11/2013 Alessandri ..... D21/694  
D692,972 S \* 11/2013 Alessandri ..... D21/694  
D708,274 S \* 7/2014 Eder ..... D21/673  
9,162,102 B1 \* 10/2015 Eder ..... E05C 1/06  
D746,925 S \* 1/2016 Firth ..... D21/686  
9,656,116 B2 \* 5/2017 Giannelli ..... A63B 21/063  
9,669,261 B2 \* 6/2017 Eder ..... G06F 16/951  
D807,445 S \* 1/2018 Gettle ..... D21/686  
10,500,442 B2 \* 12/2019 Hong ..... A63B 21/018  
10,918,899 B2 \* 2/2021 Gisin ..... A63B 21/4045  
D912,168 S \* 3/2021 Orady ..... D21/673  
10,940,364 B2 \* 3/2021 Eder ..... G16H 30/20  
10,987,565 B2 \* 4/2021 Orady ..... A63B 24/0087  
D921,132 S \* 6/2021 Orady ..... D21/673  
2002/0013200 A1 \* 1/2002 Sechrest ..... A63B 21/0628  
482/98  
2002/0039954 A1 \* 4/2002 Simonson ..... A63B 21/0628  
482/99  
2003/0017918 A1 \* 1/2003 Webb ..... A63B 21/0628  
482/94

2003/0045406 A1 \* 3/2003 Stone ..... A63B 21/154  
482/100  
2003/0176261 A1 \* 9/2003 Simonson ..... A63B 21/4035  
482/103  
2007/0173384 A1 \* 7/2007 Sechrest ..... A63B 21/154  
482/99  
2008/0300116 A1 \* 12/2008 Eder ..... A63B 21/156  
482/100  
2009/0170675 A1 \* 7/2009 Giannelli ..... A63B 21/154  
482/139  
2013/0157816 A1 \* 6/2013 Lyszcwarz ..... A63B 21/0628  
482/99  
2015/0182773 A1 \* 7/2015 Olson ..... A63B 24/0087  
482/8  
2017/0246507 A1 \* 8/2017 Kennington ..... A63B 23/1209  
2017/0319941 A1 \* 11/2017 Smith ..... A63B 21/153  
2018/0243600 A1 \* 8/2018 Kennington ..... A63B 21/156  
2020/0047027 A1 \* 2/2020 Ward ..... A63B 24/0021  
2020/0047031 A1 \* 2/2020 Orady ..... G16H 40/63  
2020/0139187 A1 \* 5/2020 Kennington ..... A63B 23/12

OTHER PUBLICATIONS

Forme by Forme dated no date given. Found online [Jul. 14, 2021]  
<https://formelife.com/the-tech>.\*

\* cited by examiner

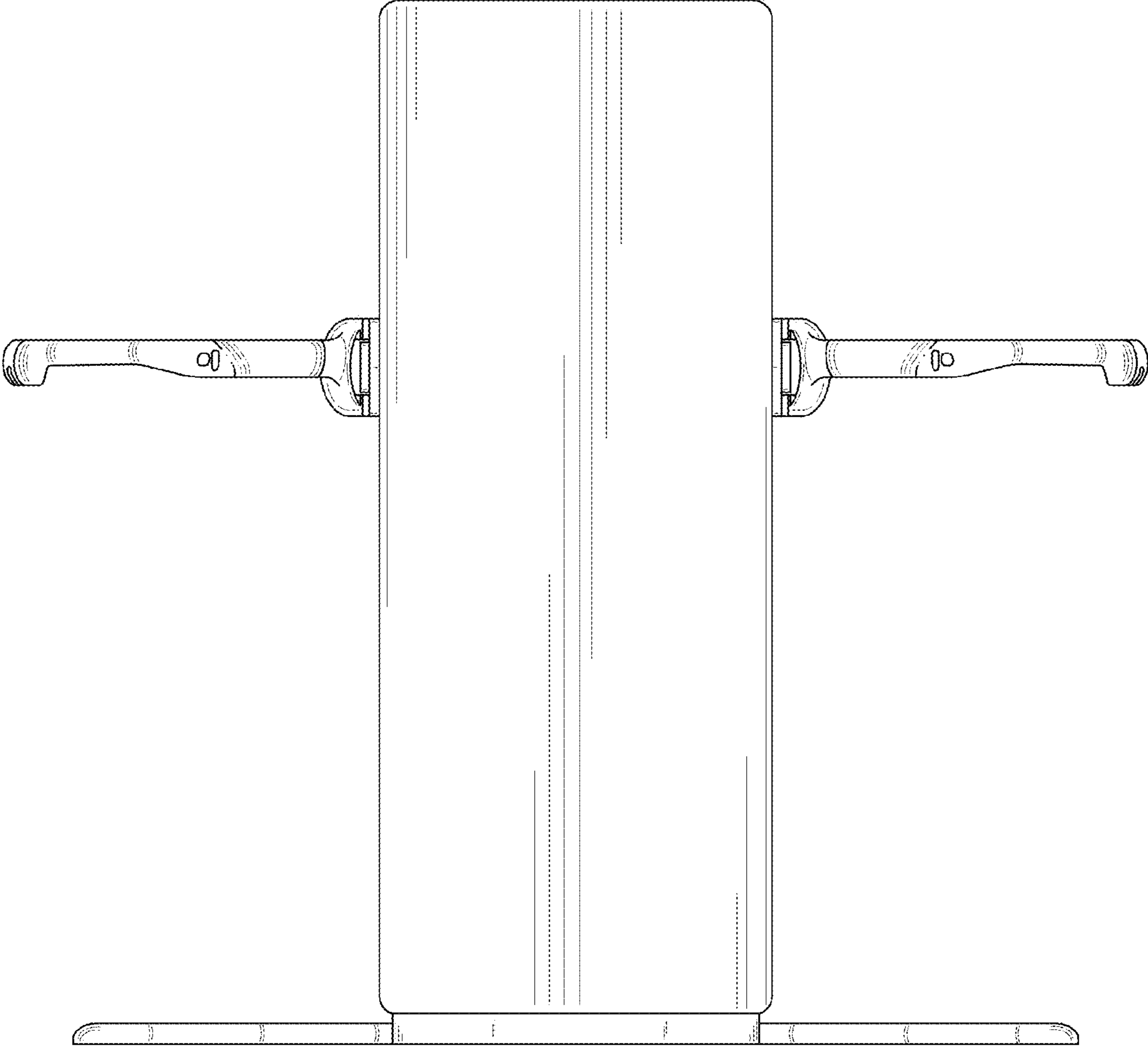


FIG. 1

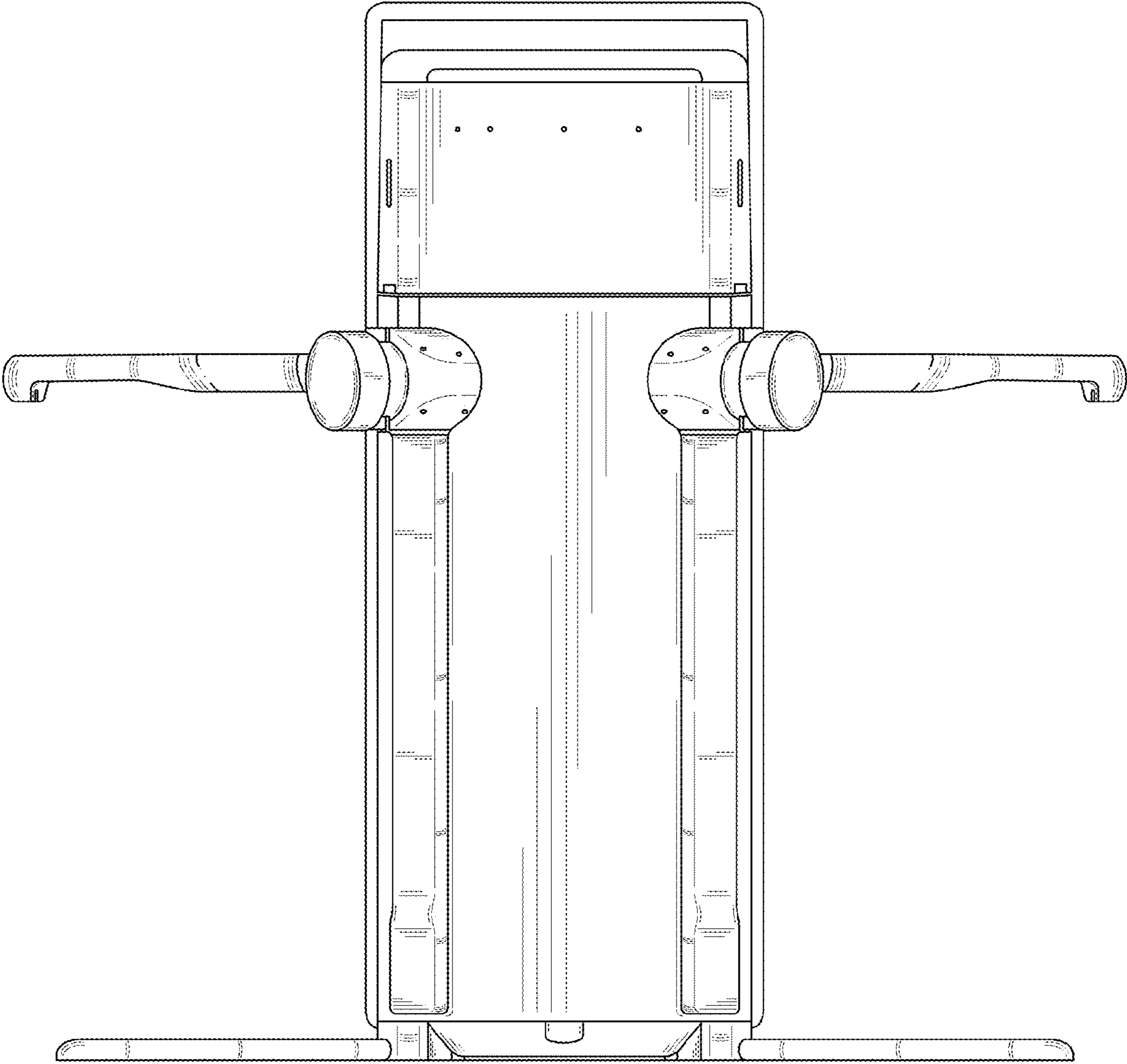


FIG. 2

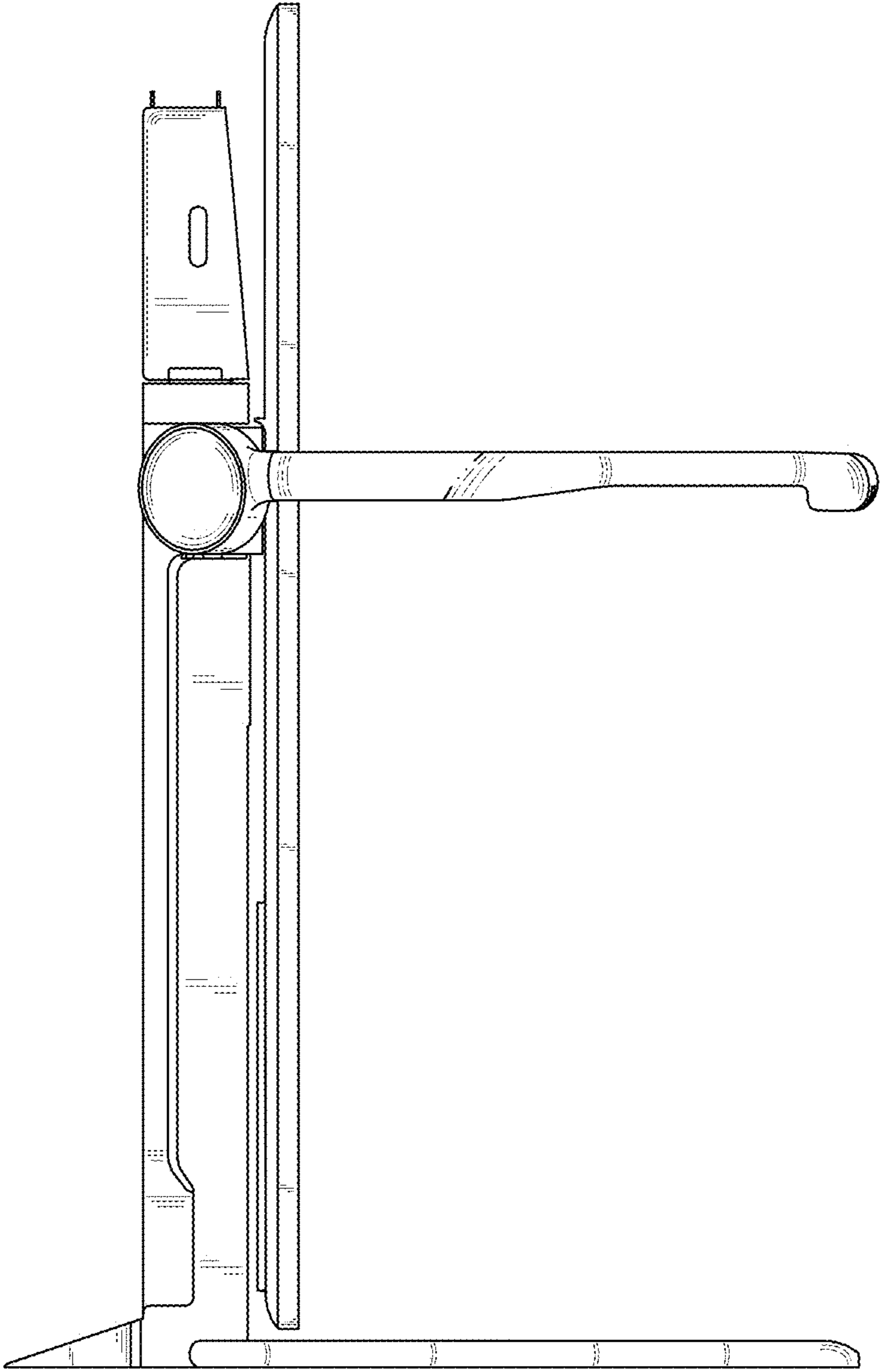


FIG. 3

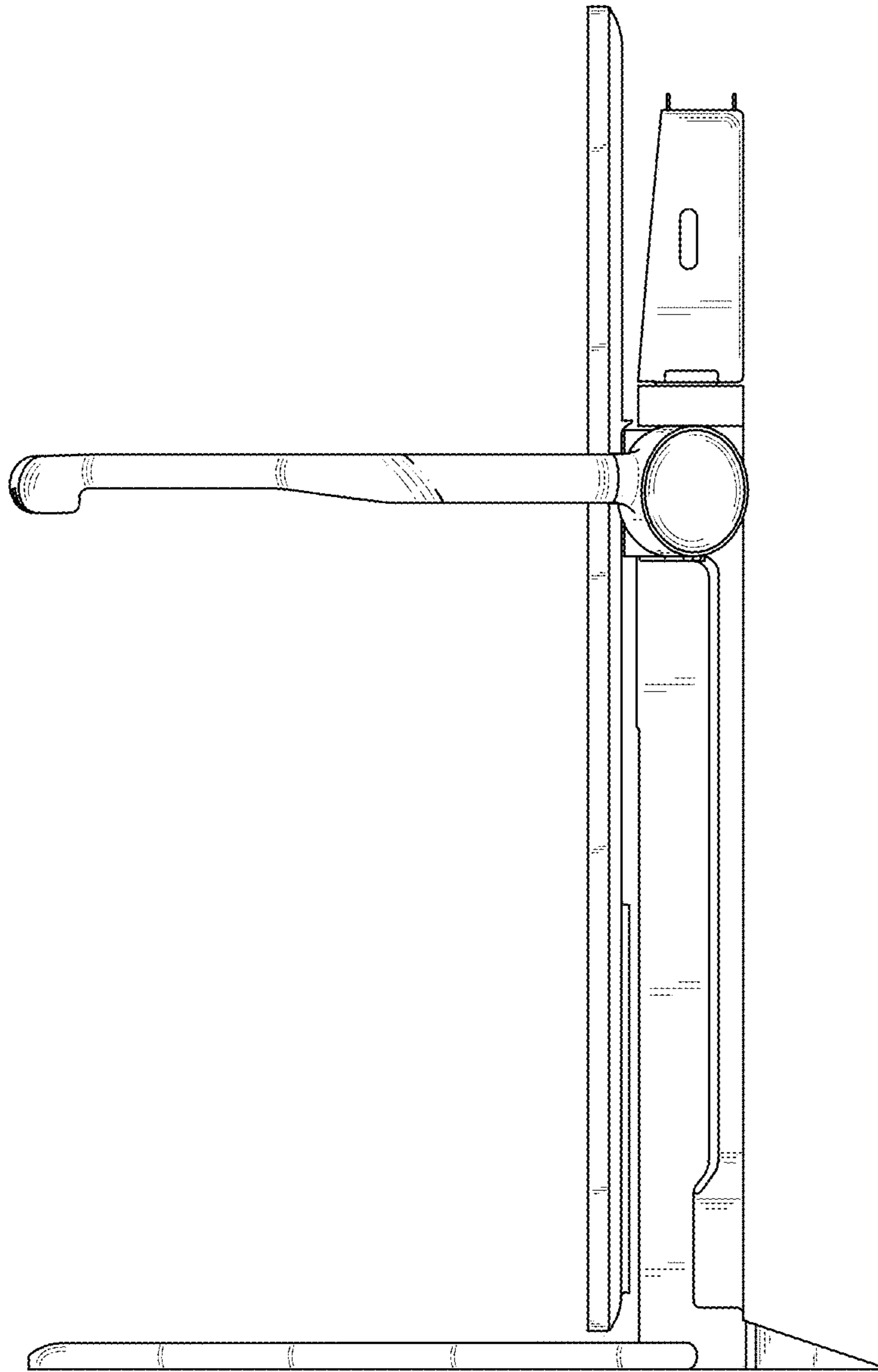


FIG. 4



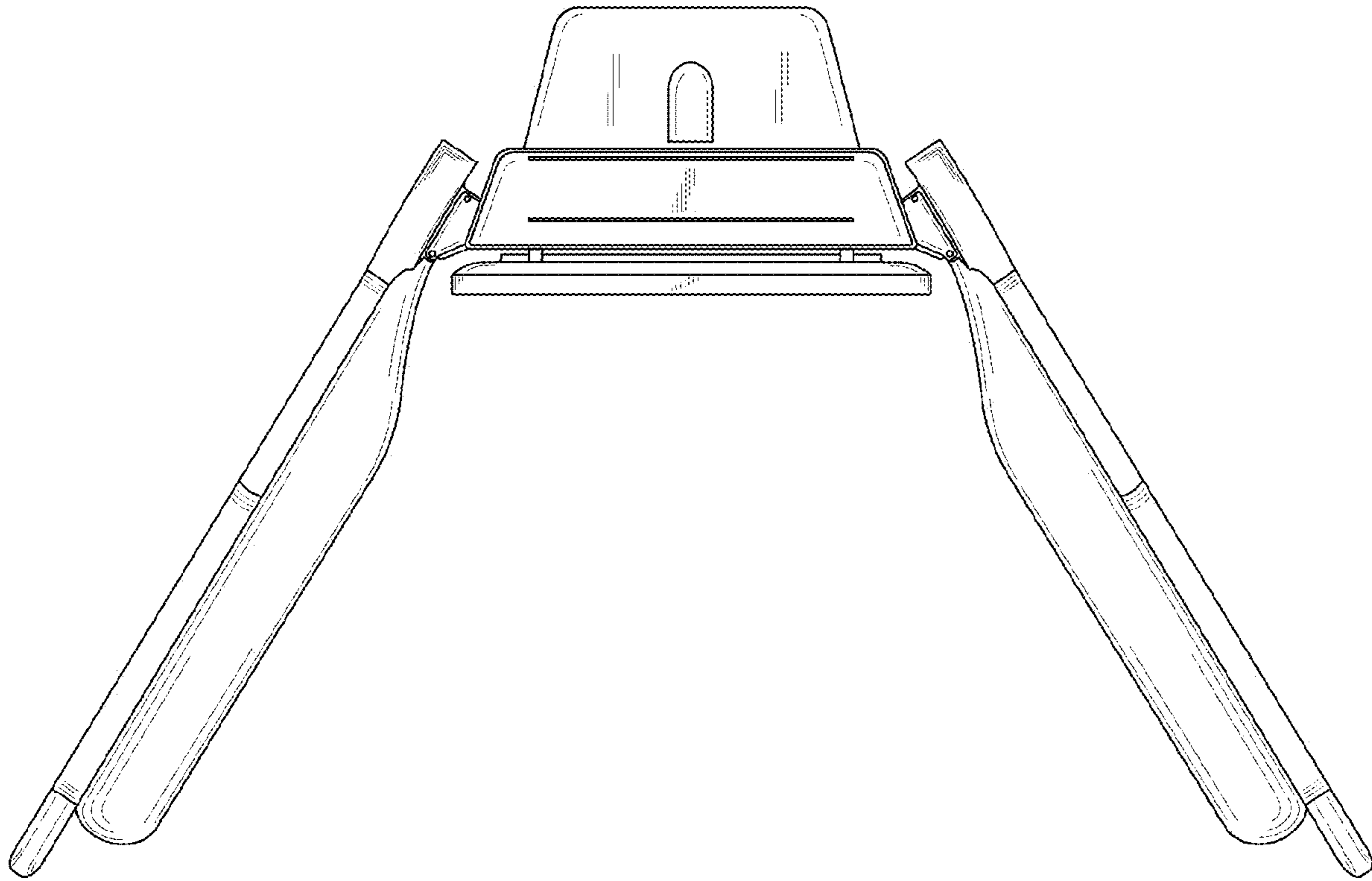


FIG. 5

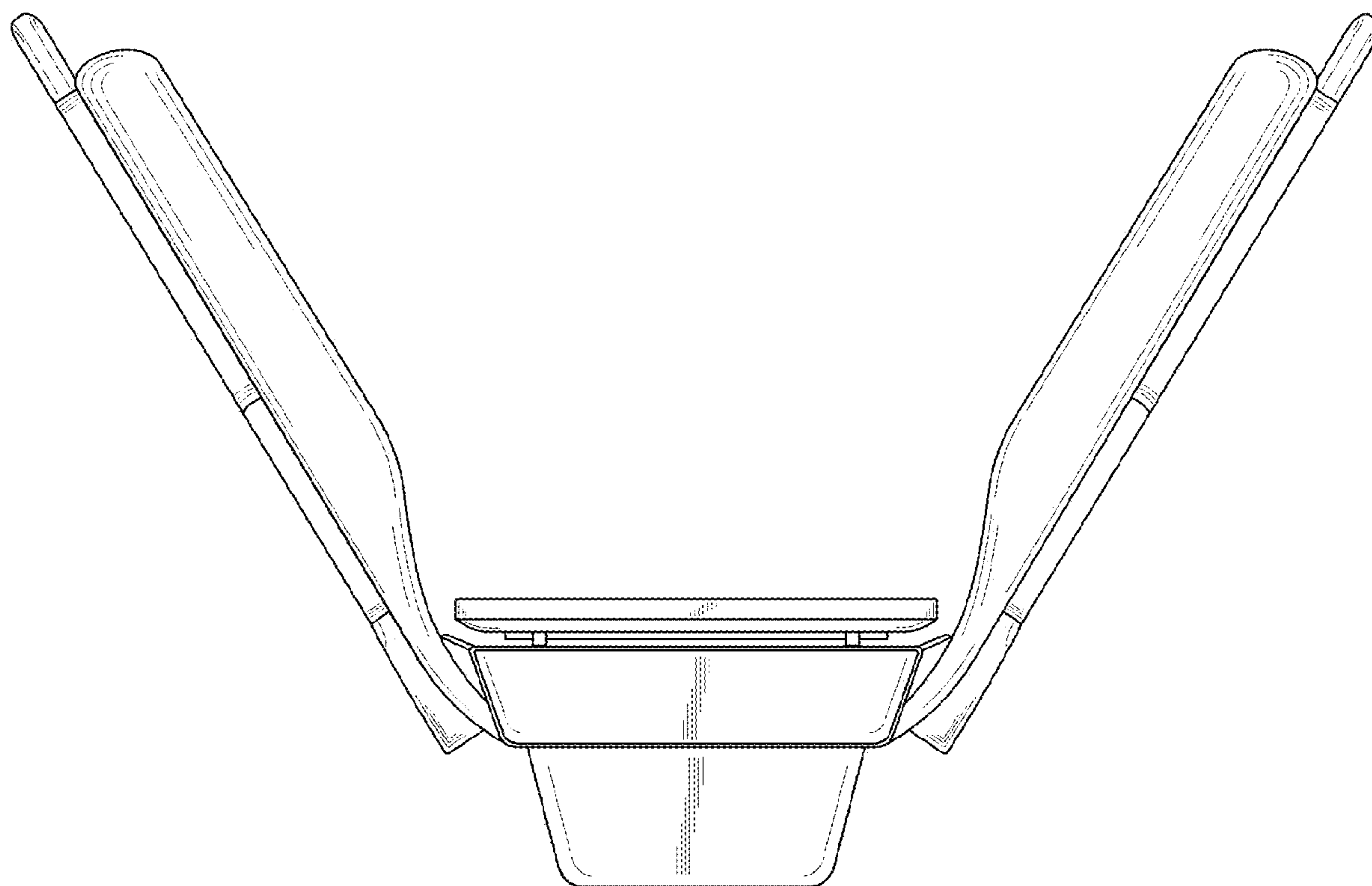


FIG. 6