



US00D937367S

(12) **United States Design Patent**
Behar et al.

(10) **Patent No.:** **US D937,367 S**

(45) **Date of Patent:** **** Nov. 30, 2021**

(54) **EXERCISE DEVICE**

(71) Applicant: **Interactive Strength, Inc.**, Carson City, NV (US)

(72) Inventors: **Yves Albert Behar**, San Francisco, CA (US); **Trent Ward**, West Hollywood, CA (US); **William Stuart**, San Francisco, CA (US); **Andrea Locatelli**, Milan (IT); **Jón Reyrr Jóhannesson**, San Francisco, CA (US); **Roland Jeffrey Wyatt**, Bozeman, MT (US)

(73) Assignee: **Interactive Strength, Inc.**, Carson City, NV (US)

(**) Term: **15 Years**

(21) Appl. No.: **29/722,970**

(22) Filed: **Feb. 3, 2020**

(51) **LOC (13) Cl.** **21-02**

(52) **U.S. Cl.**
USPC **D21/673**

(58) **Field of Classification Search**
USPC 482/99, 100, 139, 94, 140, 8, 93, 95, 79, 482/103; D21/694, 673, 675, 676, 686, D21/690
CPC A63B 21/0628; A63B 21/4047; A63B 21/4035; A63B 2208/0233; A63B 23/03525; A63B 21/154; A63B 23/03533; A63B 23/12; A63B 21/4029; A63B 2210/50
See application file for complete search history.

(56) **References Cited**

U.S. PATENT DOCUMENTS

6,296,594 B1 * 10/2001 Simonson A63B 21/154 482/102
7,172,538 B2 * 2/2007 Keiser A63B 21/0087 482/140

D586,410 S * 2/2009 Citterio D21/673
7,601,105 B1 * 10/2009 Gipson, III A63B 21/055 482/103
D612,437 S * 3/2010 Fenster D21/694
7,909,742 B2 * 3/2011 Ish, III A63B 21/0628 482/97
8,096,926 B1 * 1/2012 Batca A63B 21/0628 482/99
D679,764 S * 4/2013 Alessandri D21/675
8,500,607 B2 * 8/2013 Vittone A63B 21/151 482/93

(Continued)

OTHER PUBLICATIONS

Tonal by Tonal dated no date given. Found online [Jul. 14, 2021] <https://www.tonal.com/equipment/>.*

(Continued)

Primary Examiner — Ryan Harvey

(74) *Attorney, Agent, or Firm* — David R. Stevens; Stevens Law Group

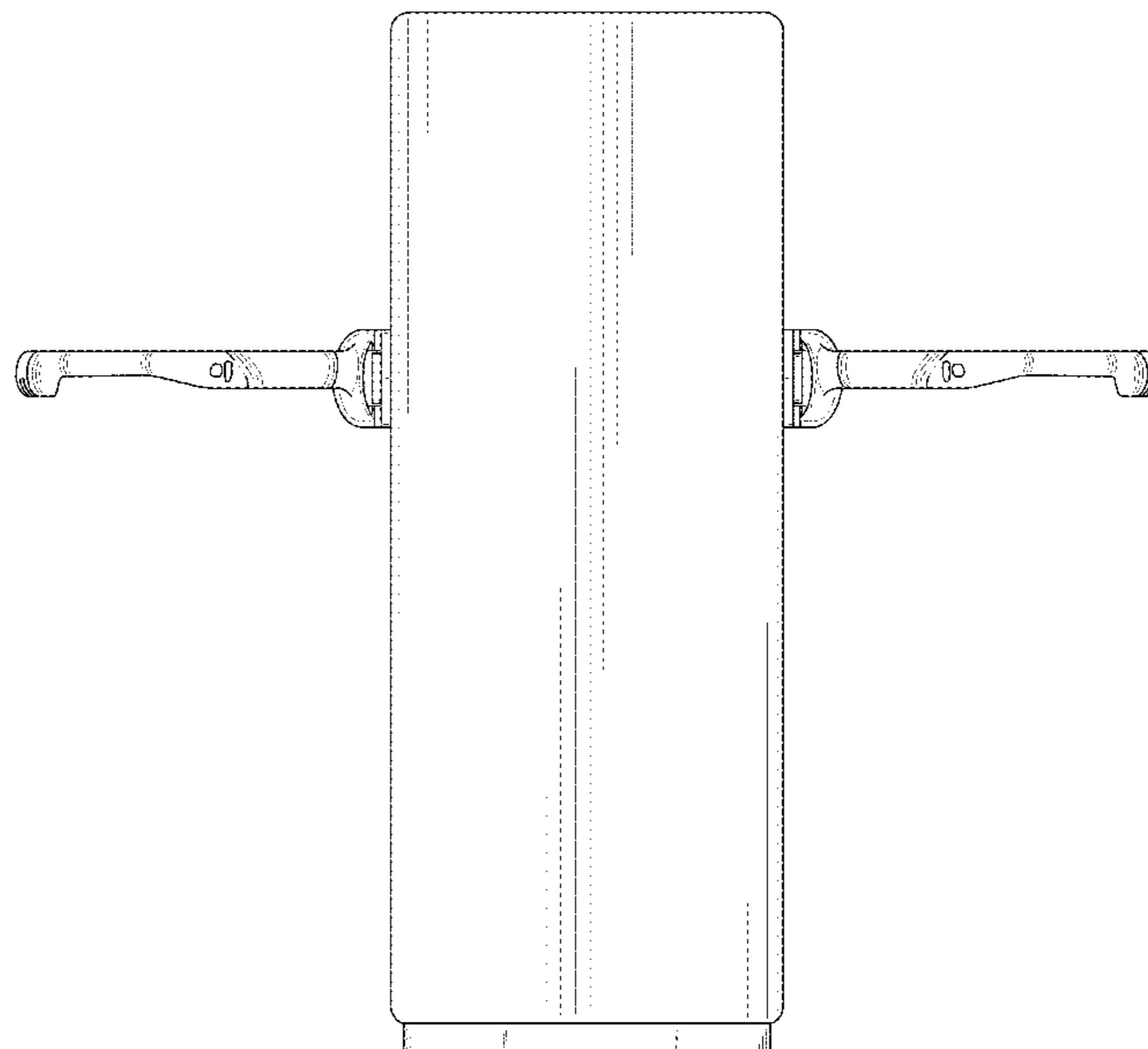
(57) **CLAIM**

The ornamental design for an exercise device, as shown and described.

DESCRIPTION

FIG. 1 is a front view of an exercise device.
FIG. 2 is a rear view of the exercise device of FIG. 1.
FIG. 3 is a left side view of the exercise device of FIG. 1.
FIG. 4 is a right side view of the exercise device of FIG. 1.
FIG. 5 is a top view of the exercise device of FIG. 1; and, FIG. 6 is a bottom view of the exercise device of FIG. 1.
In the illustrated design, the dash-dot-dot-dash lines represent a boundary between a first appearance and a contrasting appearance.

1 Claim, 6 Drawing Sheets



(56)

References Cited

U.S. PATENT DOCUMENTS

8,506,459 B2 * 8/2013 Cassidy A63B 23/0355
482/94
8,550,964 B2 * 10/2013 Ish, III A63B 21/4015
482/95
D692,971 S * 11/2013 Alessandri D21/694
D692,972 S * 11/2013 Alessandri D21/694
D708,274 S * 7/2014 Eder D21/673
9,162,102 B1 * 10/2015 Eder E05C 1/06
D746,925 S * 1/2016 Firth D21/686
9,656,116 B2 * 5/2017 Giannelli A63B 21/063
9,669,261 B2 * 6/2017 Eder G06F 16/951
D807,445 S * 1/2018 Gettle D21/686
10,500,442 B2 * 12/2019 Hong A63B 21/018
10,918,899 B2 * 2/2021 Gisin A63B 21/4045
D912,168 S * 3/2021 Orady D21/673
10,940,364 B2 * 3/2021 Eder G16H 30/20
10,987,565 B2 * 4/2021 Orady A63B 24/0087
D921,132 S * 6/2021 Orady D21/673
2002/0013200 A1 * 1/2002 Sechrest A63B 21/0628
482/98
2002/0039954 A1 * 4/2002 Simonson A63B 21/0628
482/99
2003/0017918 A1 * 1/2003 Webb A63B 21/0628
482/94

2003/0045406 A1 * 3/2003 Stone A63B 21/154
482/100
2003/0176261 A1 * 9/2003 Simonson A63B 21/4035
482/103
2007/0173384 A1 * 7/2007 Sechrest A63B 21/154
482/99
2008/0300116 A1 * 12/2008 Eder A63B 21/156
482/100
2009/0170675 A1 * 7/2009 Giannelli A63B 21/154
482/139
2013/0157816 A1 * 6/2013 Lyszcwarz A63B 21/0628
482/99
2015/0182773 A1 * 7/2015 Olson A63B 24/0087
482/8
2017/0246507 A1 * 8/2017 Kennington A63B 23/1209
2017/0319941 A1 * 11/2017 Smith A63B 21/153
2018/0243600 A1 * 8/2018 Kennington A63B 21/156
2020/0047027 A1 * 2/2020 Ward A63B 24/0021
2020/0047031 A1 * 2/2020 Orady G16H 40/63
2020/0139187 A1 * 5/2020 Kennington A63B 23/12

OTHER PUBLICATIONS

Forme by Forme dated no date given. Found online [Jul. 14, 2021]
<https://formelife.com/the-tech>.*

* cited by examiner

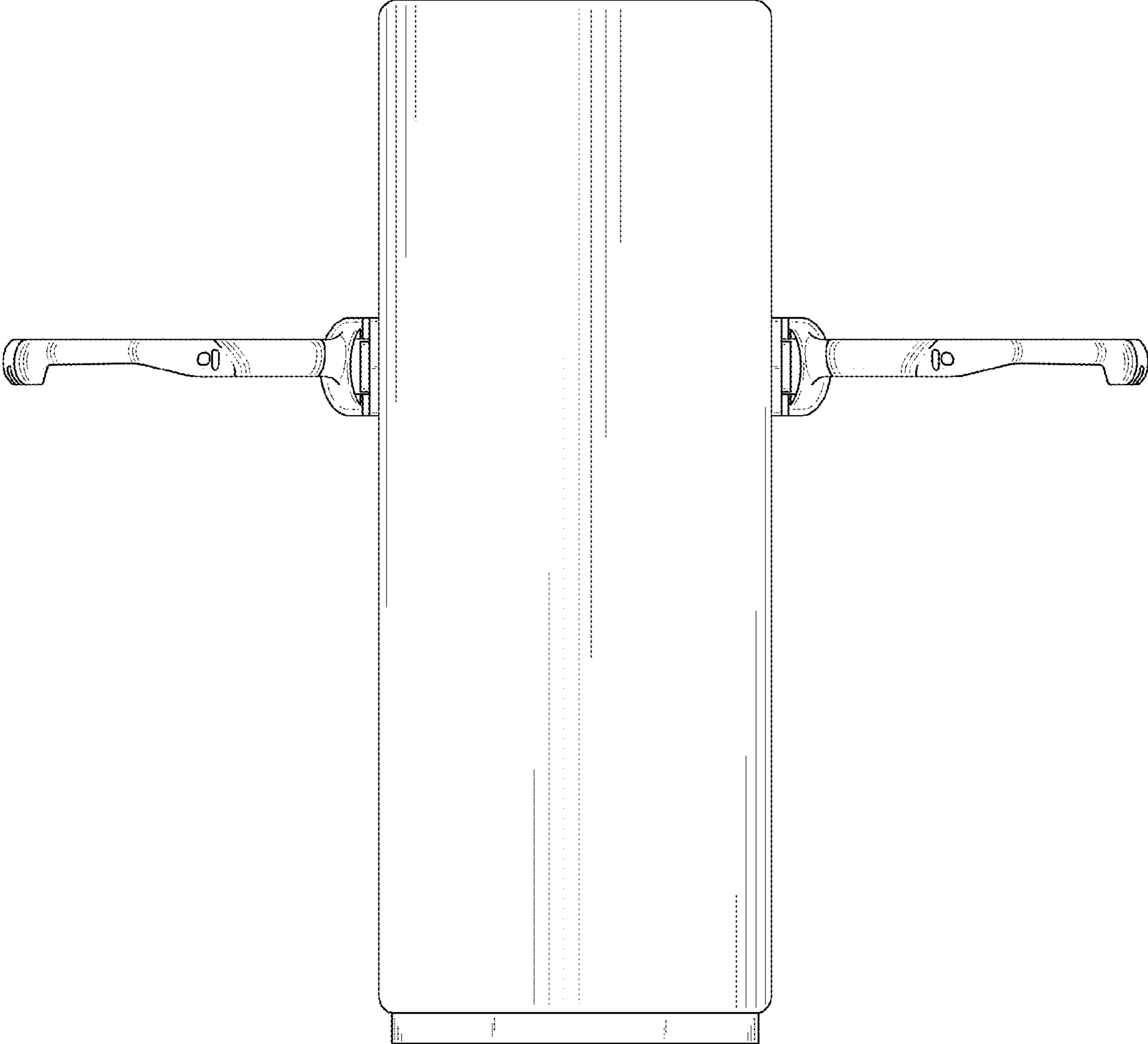


FIG. 1

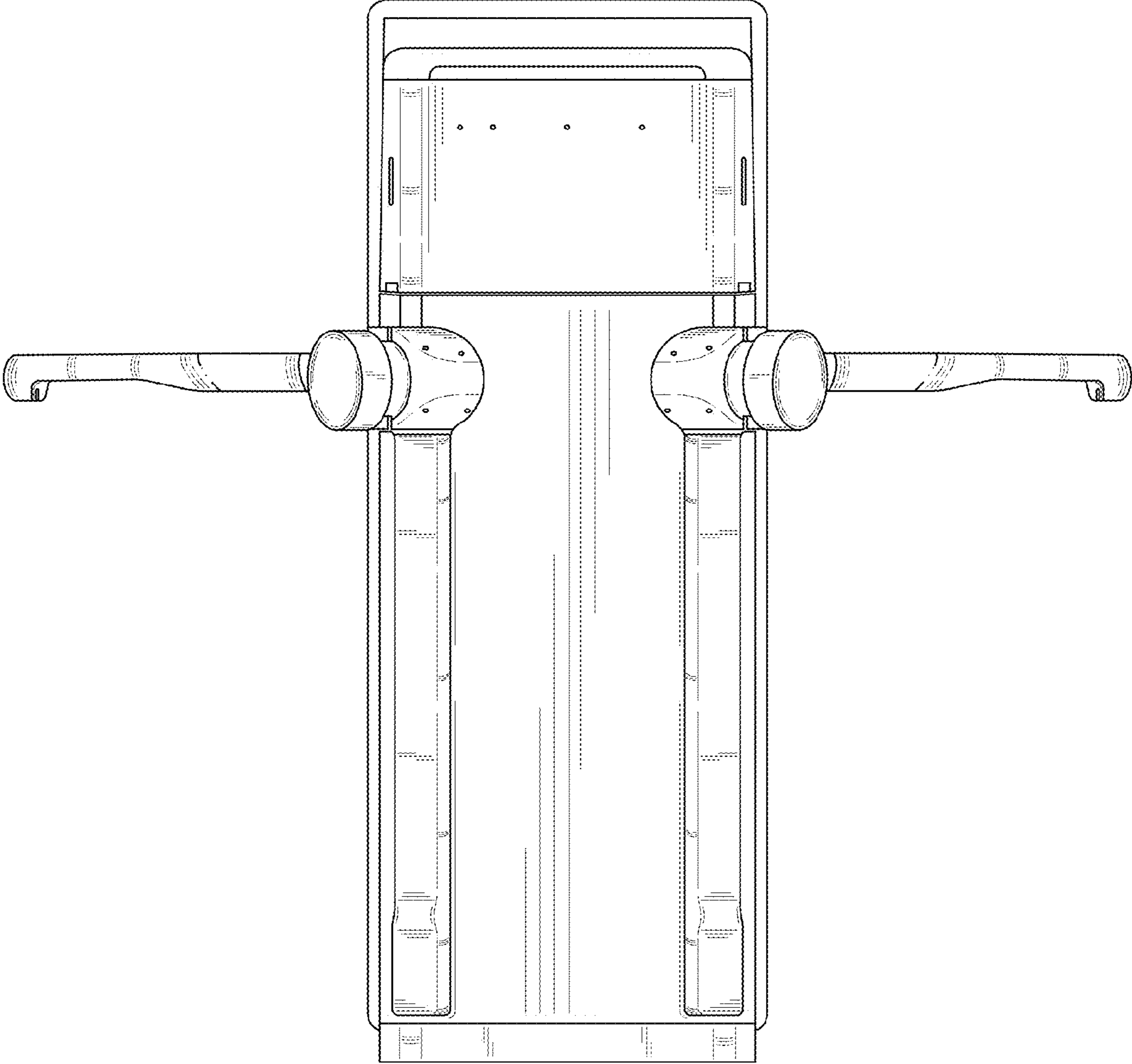


FIG. 2

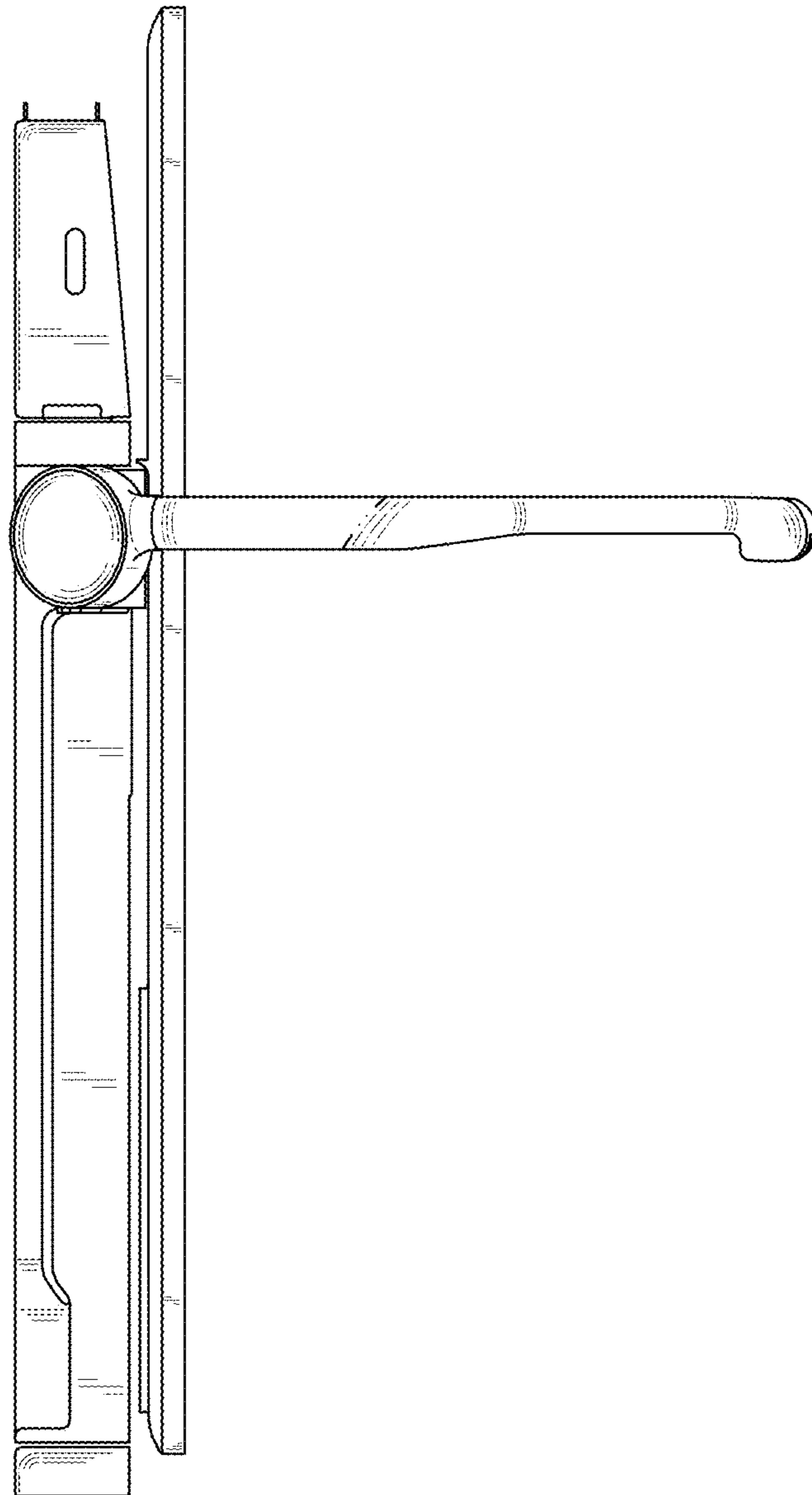


FIG. 3

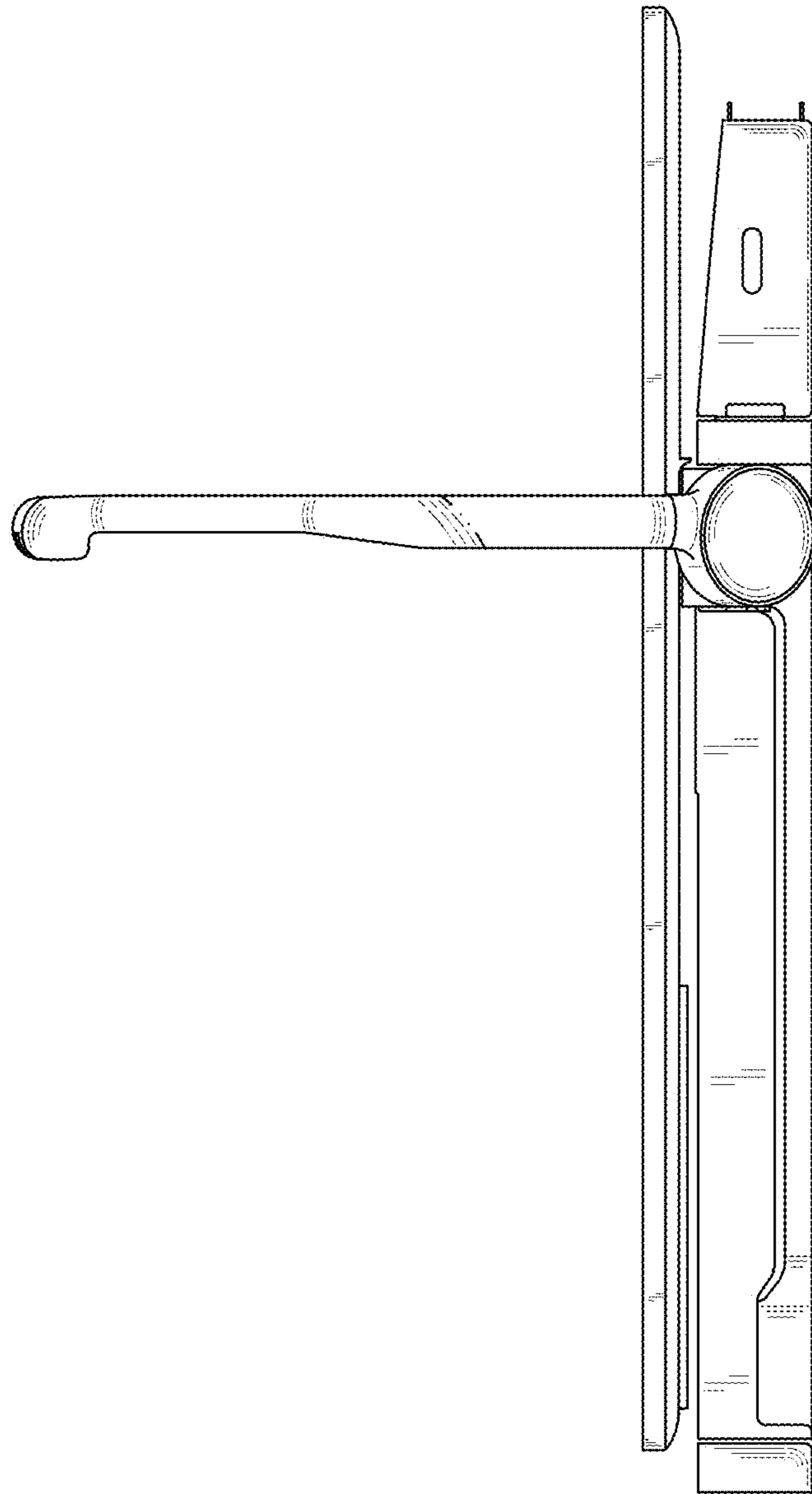


FIG. 4

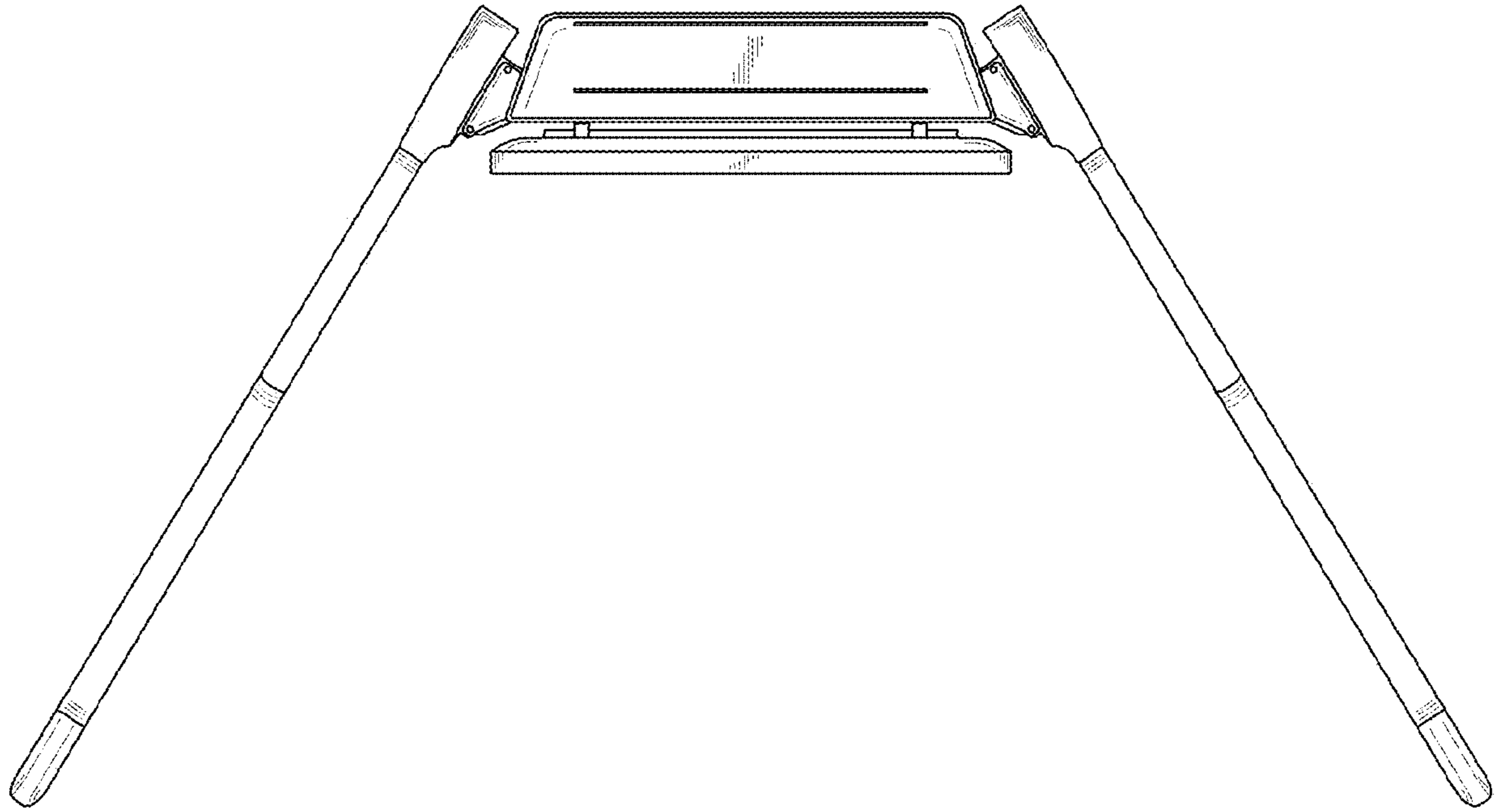


FIG. 5

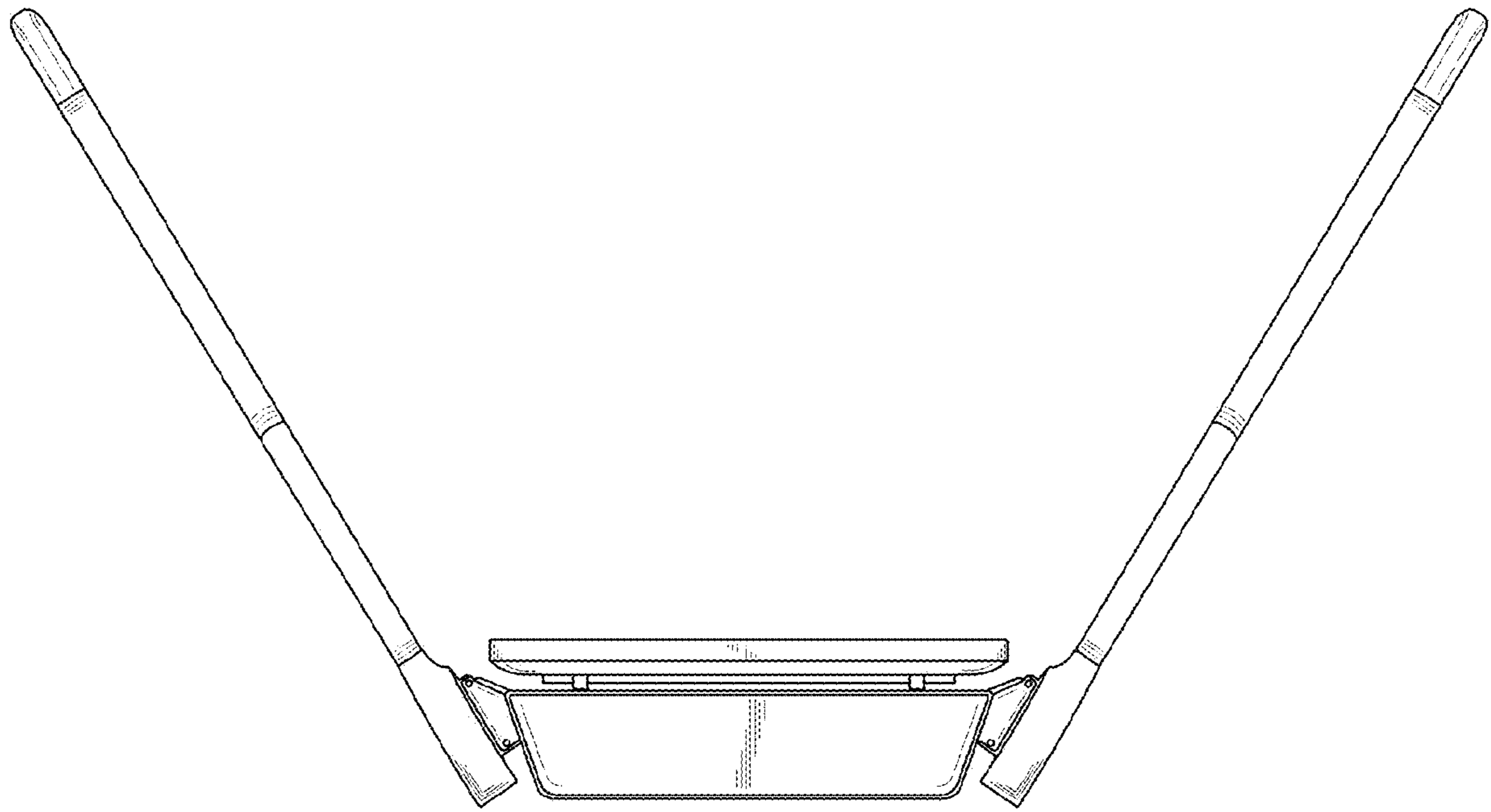


FIG. 6