



US00D937364S

(12) **United States Design Patent** (10) **Patent No.:** **US D937,364 S**  
**Cai** (45) **Date of Patent:** **\*\* Nov. 30, 2021**

(54) **SOLAR-POWERED TOY ROBOT**

(71) Applicant: **Zeluan Cai**, Shenzhen (CN)

(72) Inventor: **Zeluan Cai**, Shenzhen (CN)

(\*\*) Term: **15 Years**

(21) Appl. No.: **29/752,330**

(22) Filed: **Sep. 26, 2020**

(51) **LOC (13) Cl.** ..... **21-01**

(52) **U.S. Cl.**  
USPC ..... **D21/578**; D15/199

(58) **Field of Classification Search**  
USPC ..... D21/578-586; D19/59; D15/199  
CPC . B25J 9/00; B25J 9/0003; B25J 9/0006; B25J  
13/00; B25J 5/00; B25J 5/007  
See application file for complete search history.

D841,103 S \* 2/2019 Lee ..... D21/578  
D857,553 S \* 8/2019 Tatopoulos ..... D12/1  
D870,213 S 12/2019 Katayama et al.  
D878,493 S 3/2020 Katayama et al.  
D882,705 S \* 4/2020 Lee ..... D21/578  
D891,491 S 7/2020 Insile et al.  
D891,533 S 7/2020 Lee  
D891,534 S 7/2020 Guo  
D922,464 S \* 6/2021 Xin ..... D15/199

\* cited by examiner

*Primary Examiner* — Zenia I Bennett

(74) *Attorney, Agent, or Firm* — Law Offices of Steven W. Weinrieb

(57) **CLAIM**

The ornamental design for a solar-powered toy robot, as shown and described.

(56) **References Cited**

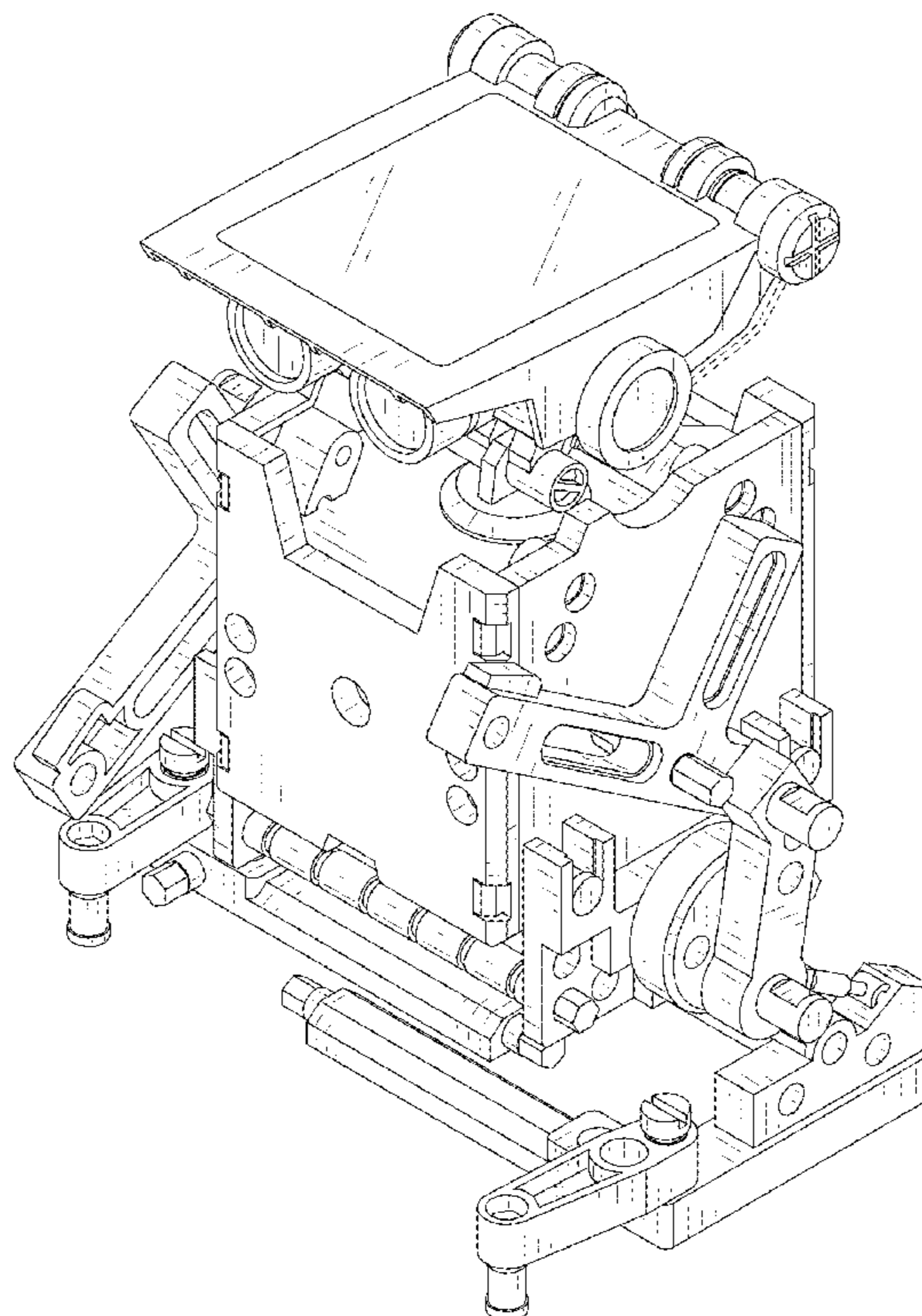
U.S. PATENT DOCUMENTS

D622,786 S \* 8/2010 Lee ..... D21/578  
D681,134 S \* 4/2013 Lee ..... D21/578  
D711,479 S \* 8/2014 Lee ..... D21/578  
D712,984 S 9/2014 Lee  
D713,477 S 9/2014 Lee  
D715,379 S \* 10/2014 Kitamura ..... A63H 3/00  
D21/578  
D715,380 S \* 10/2014 Ito ..... A63H 3/00  
D21/578  
D715,381 S \* 10/2014 Ito ..... A63H 3/00  
D21/578  
D715,382 S \* 10/2014 Ito ..... A63H 3/00  
D21/578

**DESCRIPTION**

FIG. 1 is a front, right side, top perspective view of a solar-powered toy robot showing my new design; FIG. 2 is a rear, left side, bottom perspective view thereof; FIG. 3 is a front elevational view thereof; FIG. 4 is a rear elevational view thereof; FIG. 5 is a left side elevational view thereof; FIG. 6 is a right side elevational view thereof; FIG. 7 is a top plan view thereof; and, FIG. 8 is a bottom plan view thereof. The broken lines depict portions of the solar-powered toy robot that form no part of the claimed design.

**1 Claim, 8 Drawing Sheets**



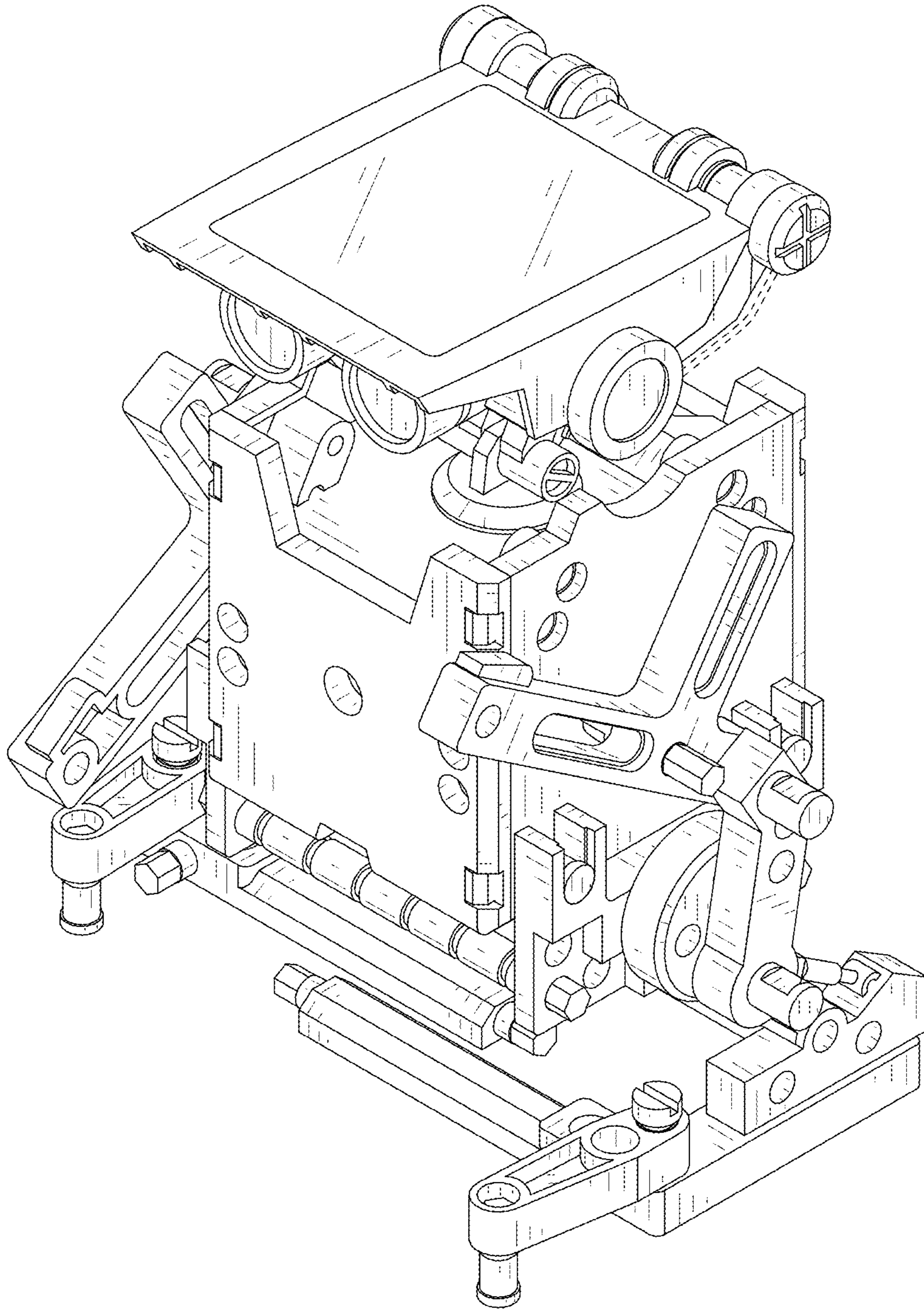


FIG. 1

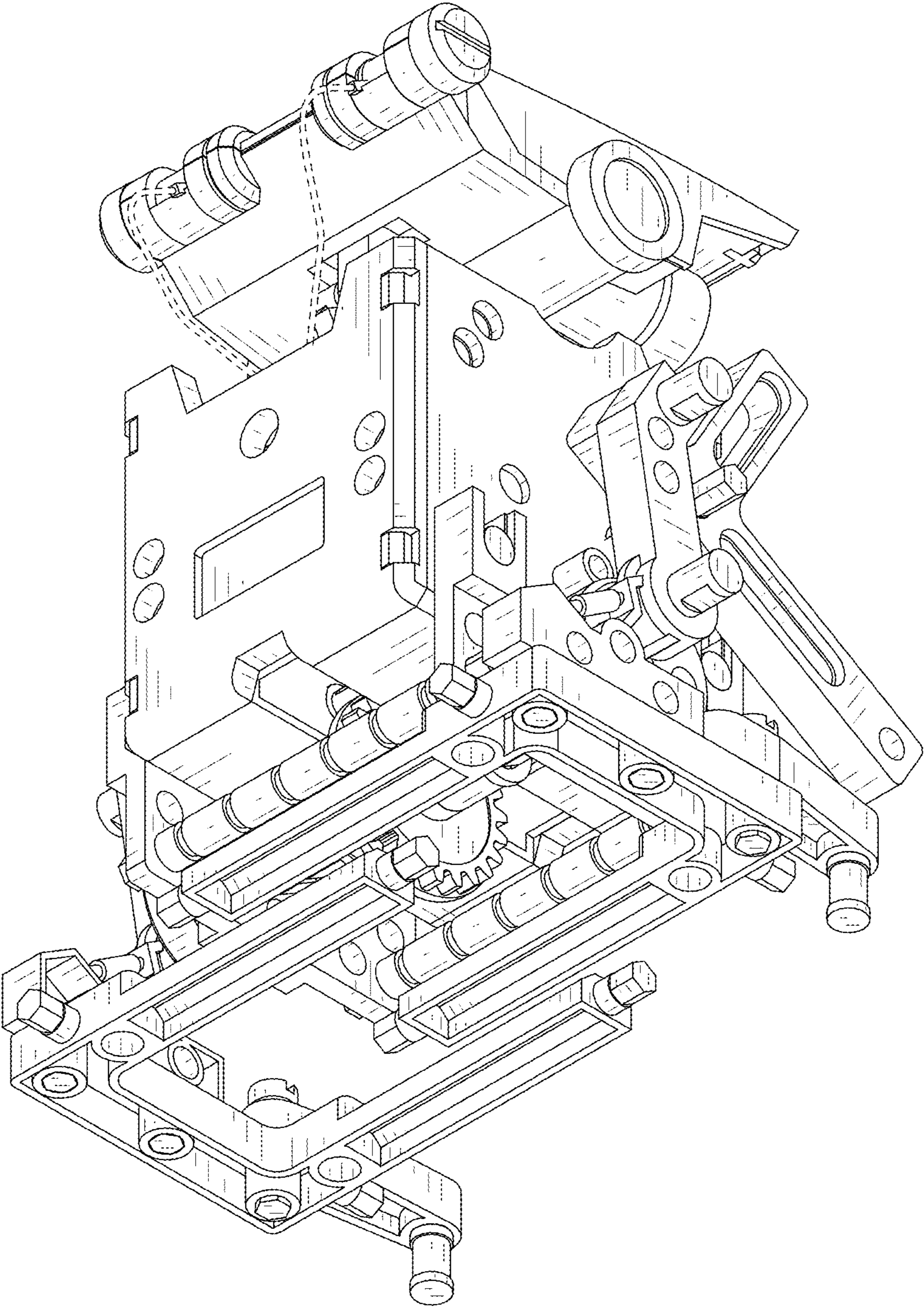


FIG. 2

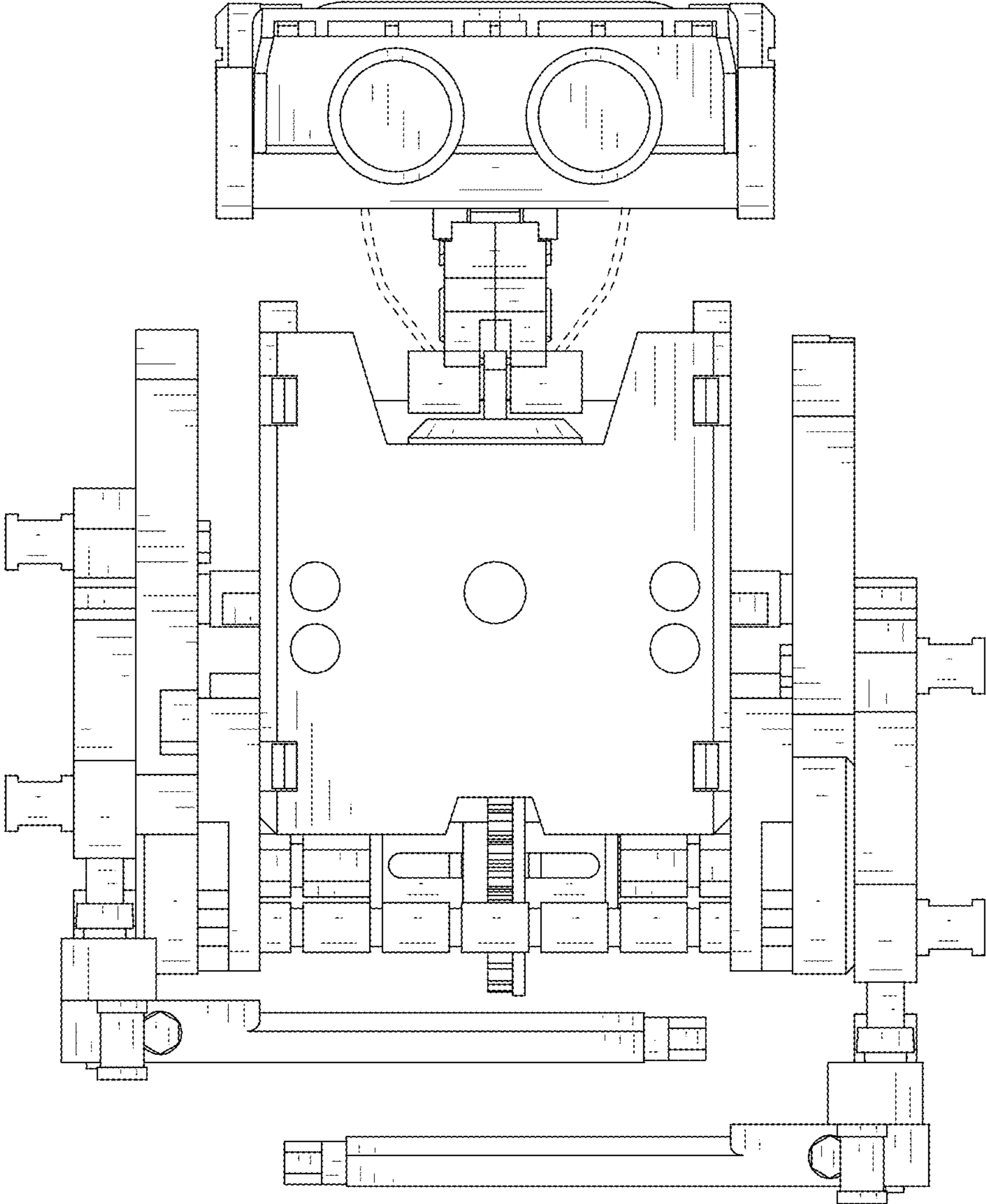


FIG. 3

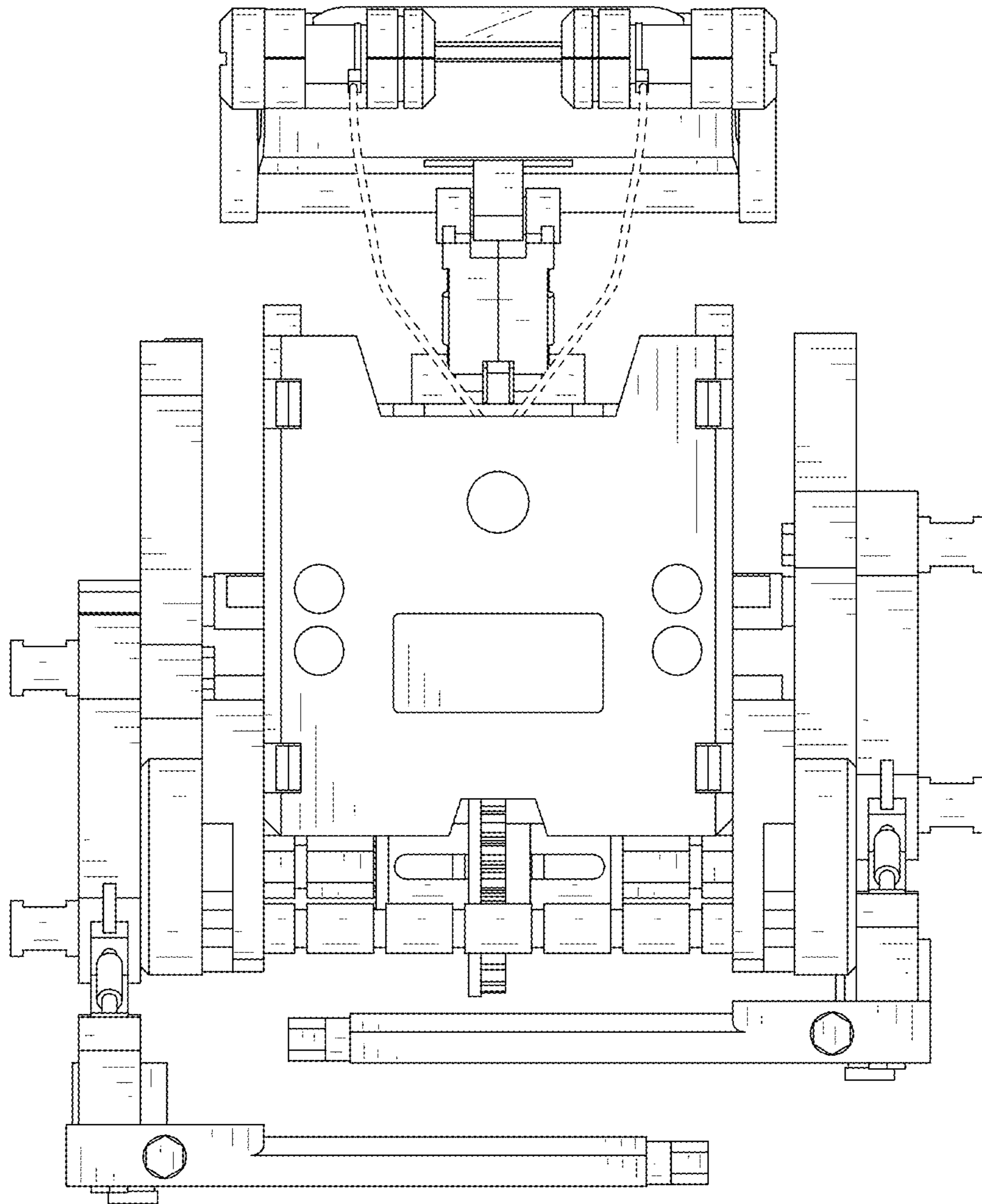


FIG. 4

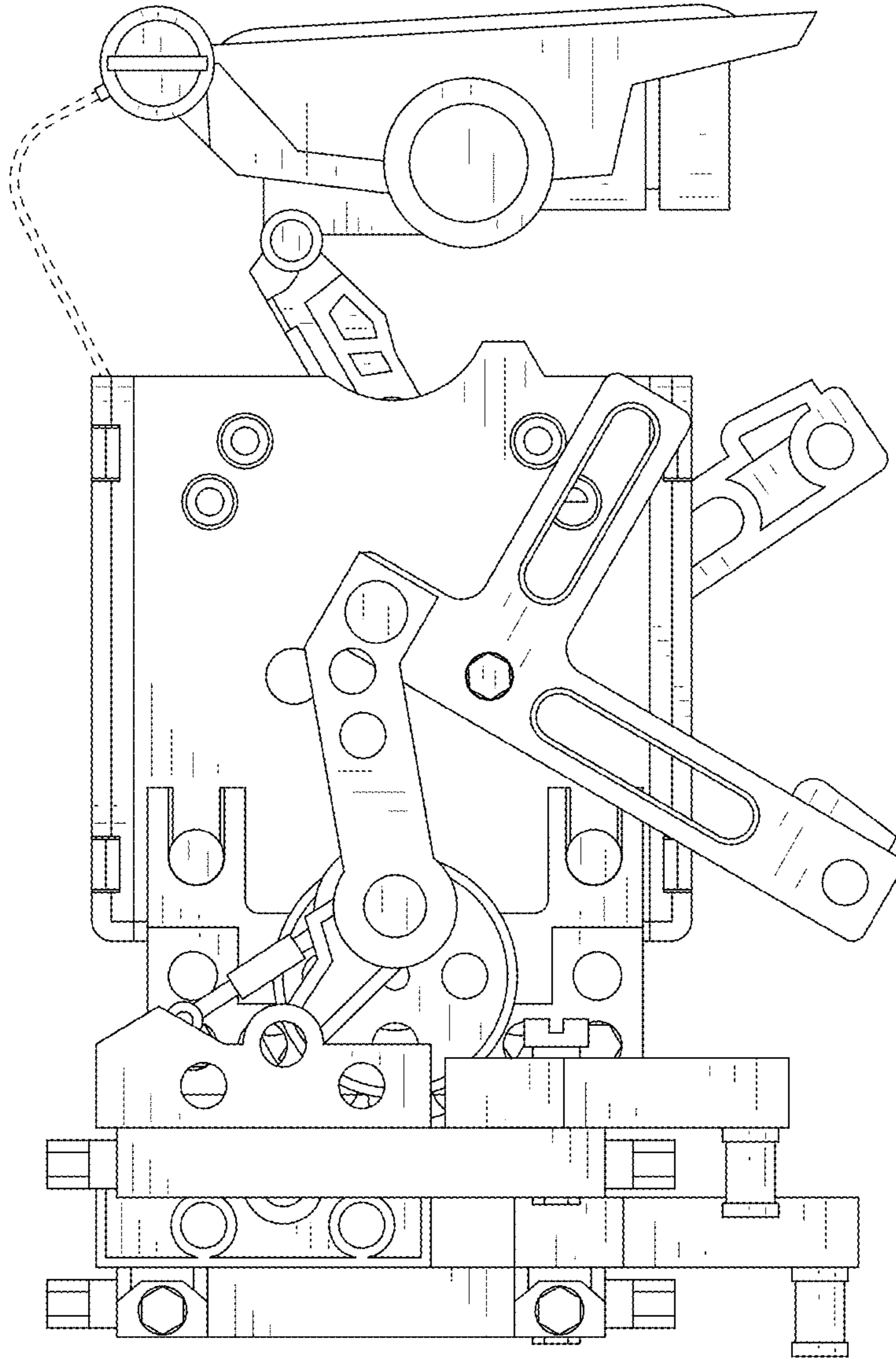


FIG. 5

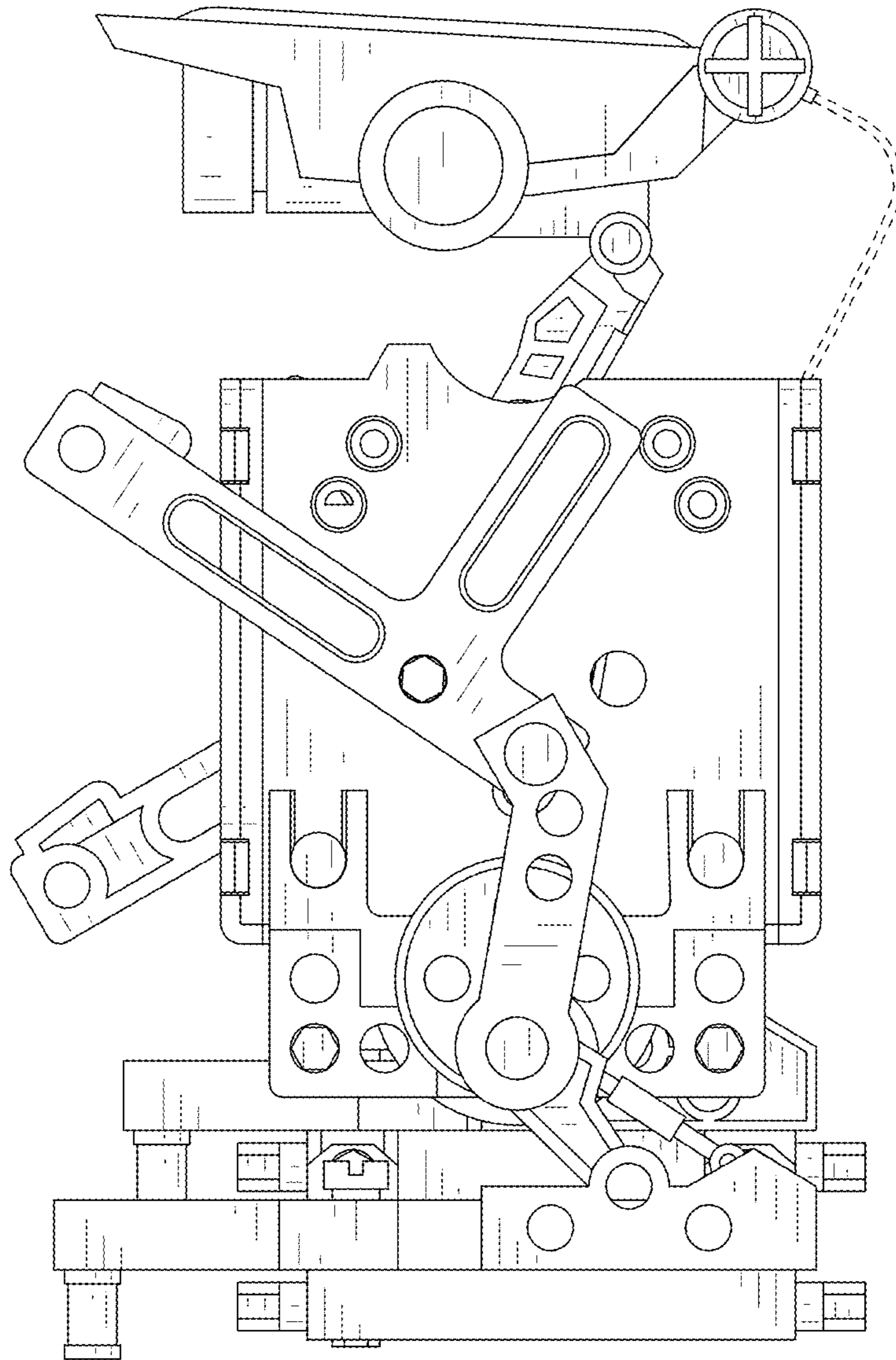


FIG. 6

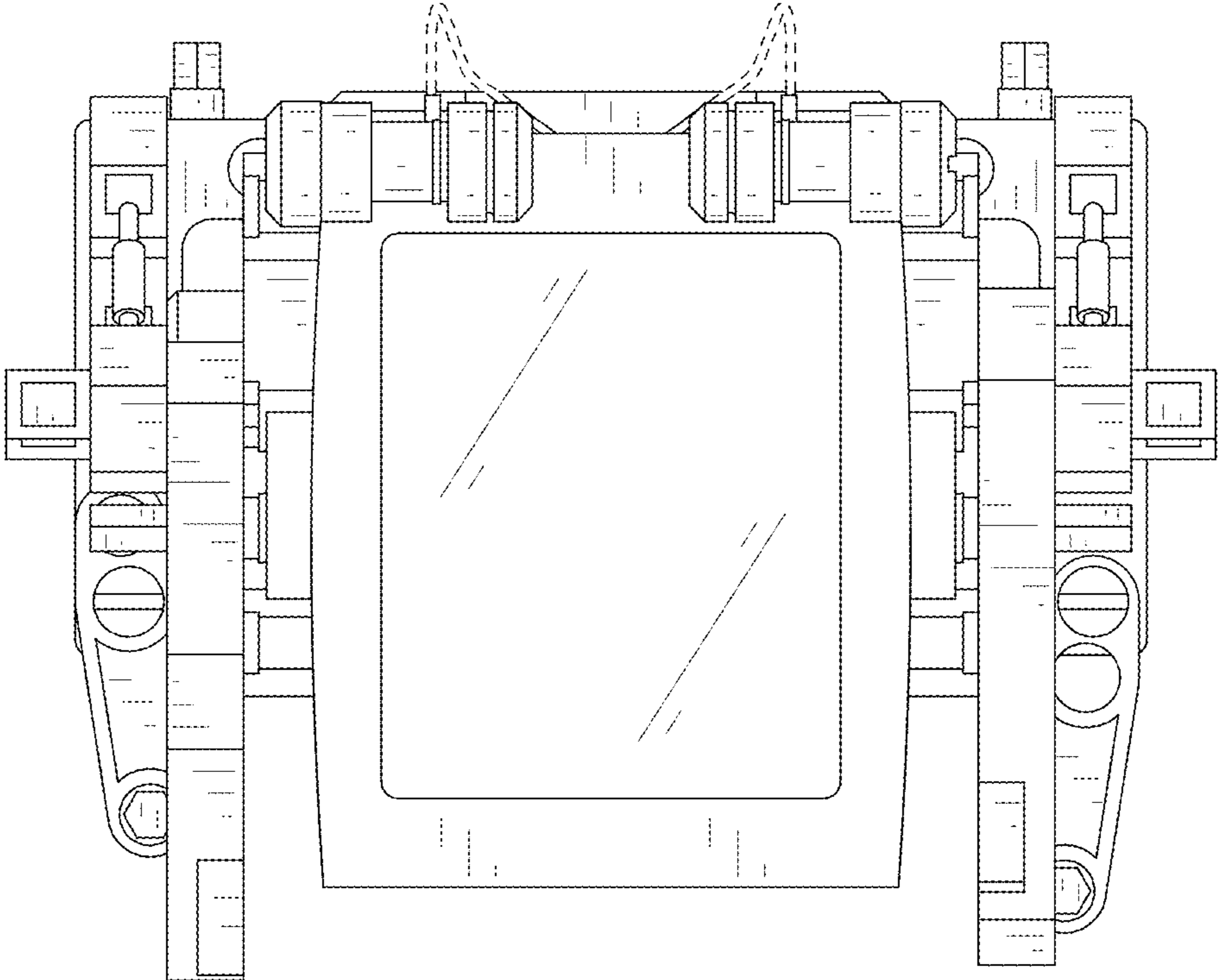


FIG. 7



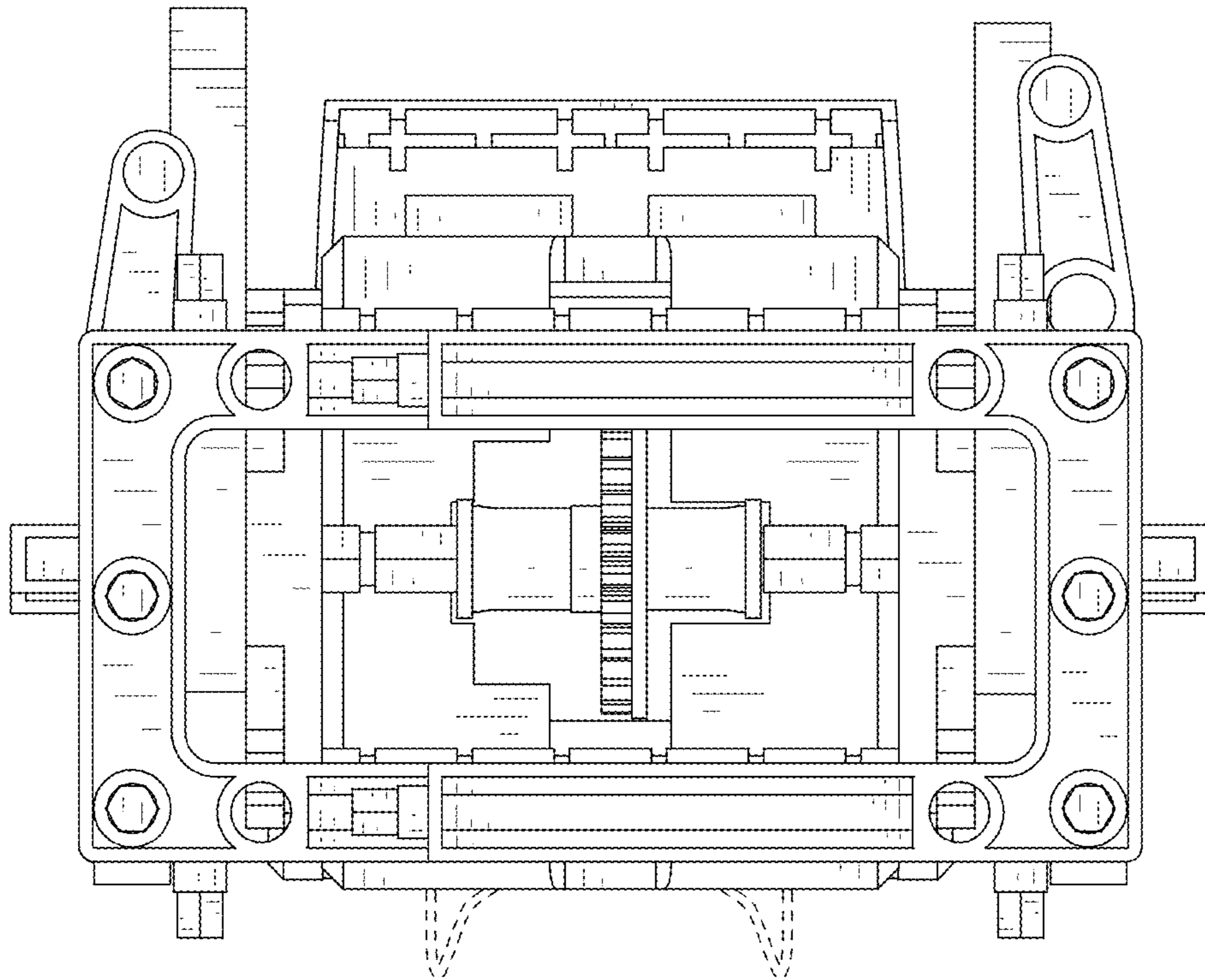


FIG. 8