



US00D937362S

(12) **United States Design Patent** (10) **Patent No.:** **US D937,362 S**
Sisamos (45) **Date of Patent:** **** Nov. 30, 2021**

(54) **SNAP-LOCK CONSTRUCTION TOY**

(71) Applicant: **Costas Sisamos**, Limassol (CY)

(72) Inventor: **Costas Sisamos**, Limassol (CY)

(**) Term: **15 Years**

(21) Appl. No.: **29/721,621**

(22) Filed: **Jan. 22, 2020**

(51) **LOC (13) Cl.** **21-01**

(52) **U.S. Cl.**
USPC **D21/503**; D21/502

(58) **Field of Classification Search**
USPC D21/484, 485, 486, 491, 492, 493, 494,
D21/495, 500, 501, 502, 503, 504
CPC A63H 33/00; A63H 33/04; A63H 33/06;
A63H 33/062; A63H 33/08; A63H
33/084; A63H 33/088; A63H 33/101;
A63H 33/108; A63H 33/12
See application file for complete search history.

(56) **References Cited**

U.S. PATENT DOCUMENTS

5,003,746	A *	4/1991	Wilston	A63H 33/042 52/592.1
D317,475	S *	6/1991	Olsen	D21/502
5,049,104	A *	9/1991	Olsen	A63H 33/12 446/104
D326,874	S *	6/1992	Dideriksen	D21/486
D333,851	S *	3/1993	Olsen	D21/502
D344,769	S *	3/1994	Poulsen	D21/502
D360,000	S *	7/1995	Hatting	D21/502
D364,198	S *	11/1995	Bluff	D21/502
D708,680	S *	7/2014	Norman	D21/503

D711,980	S *	8/2014	Norman	D21/503
D711,981	S *	8/2014	Norman	D21/503
D755,902	S *	5/2016	Chen	D21/484
10,478,741	B2 *	11/2019	Heo	A63H 33/062
D900,248	S *	10/2020	Hwang	D21/501
2020/0164281	A1 *	5/2020	Anderson	A63H 33/067
2020/0191187	A1 *	6/2020	Heo	A63H 33/062

* cited by examiner

Primary Examiner — Cynthia M. Chin

(74) *Attorney, Agent, or Firm* — Eschweiler & Potashnik, LLC

(57) **CLAIM**

The ornamental design for a snap-lock construction toy, as shown and described.

DESCRIPTION

FIG. 1 illustrates a front, top, and right side perspective view of a snap-lock construction toy according to the present invention.

FIG. 2 illustrates a rear, bottom, and right side perspective view of the snap-lock construction toy of FIG. 1.

FIG. 3 illustrates a top elevation view of the snap-lock construction toy of FIG. 1.

FIG. 4 illustrates a bottom elevation view of the snap-lock construction toy of FIG. 1.

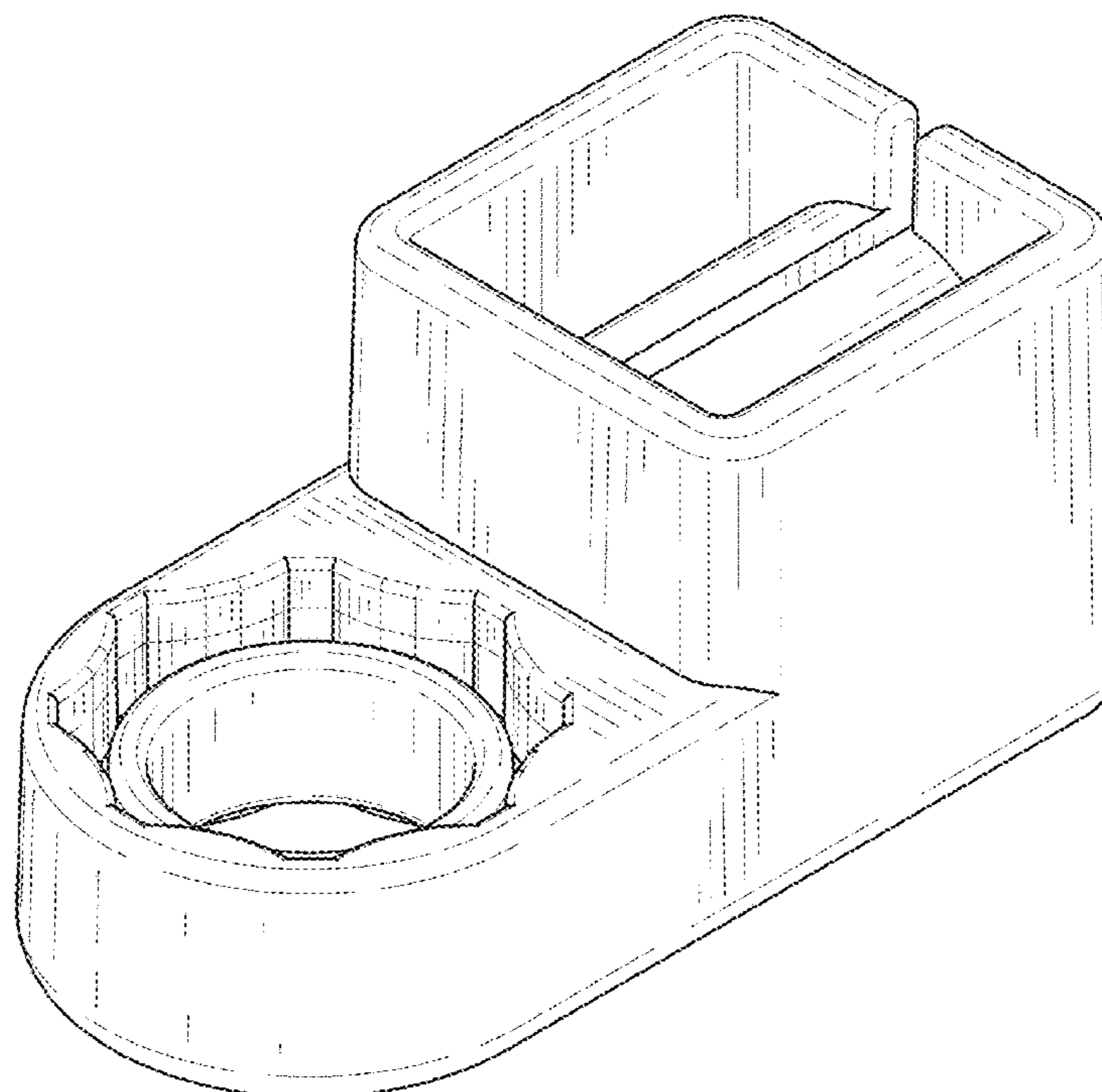
FIG. 5 illustrates a right side elevation view of the snap-lock construction toy of FIG. 1.

FIG. 6 illustrates a left side elevation view of the snap-lock construction toy of FIG. 1.

FIG. 7 illustrates a front elevation view of the snap-lock construction toy of FIG. 1; and,

FIG. 8 illustrates a rear elevation view of the snap-lock construction toy of FIG. 1.

1 Claim, 4 Drawing Sheets



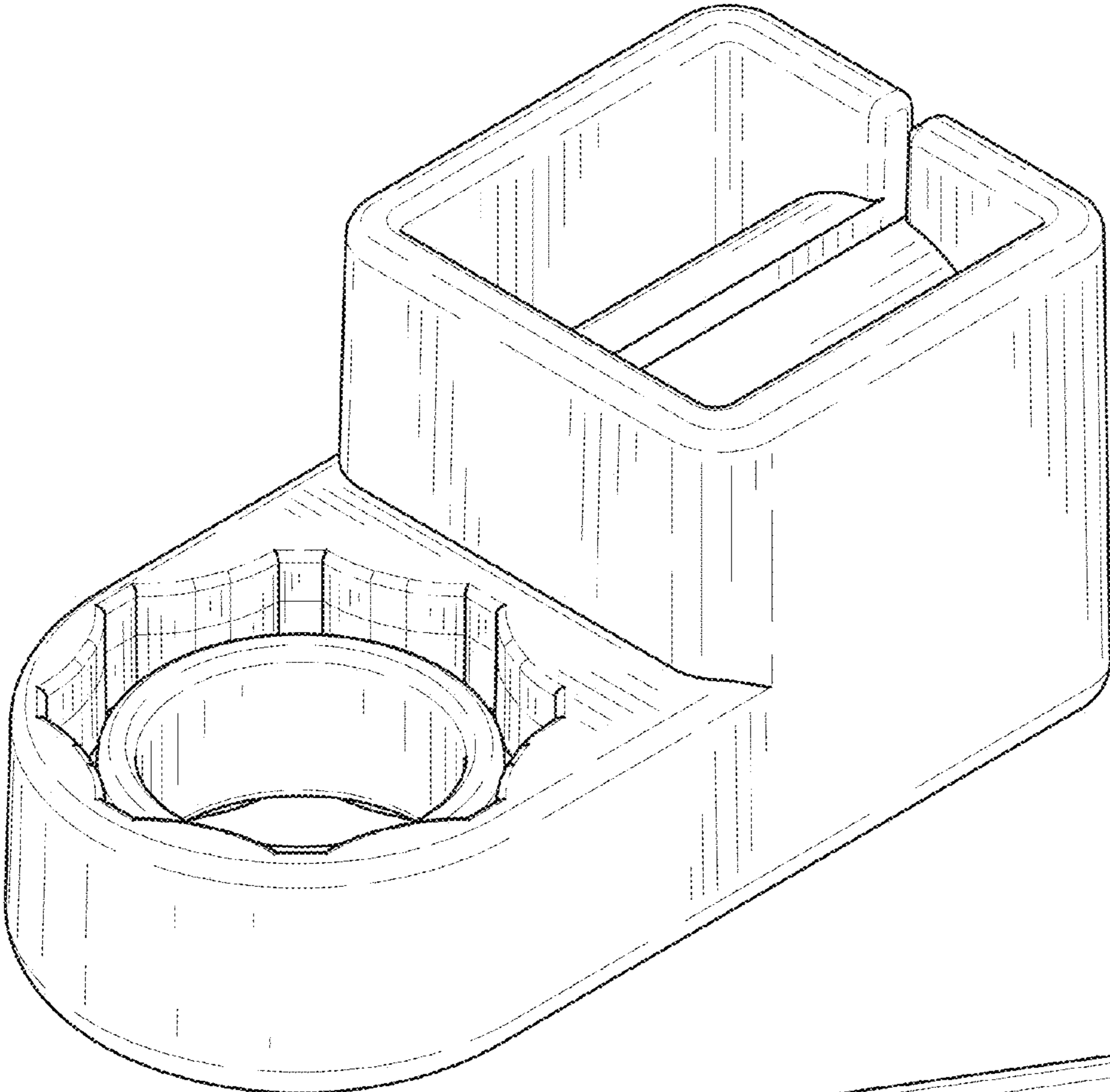


Fig. 1

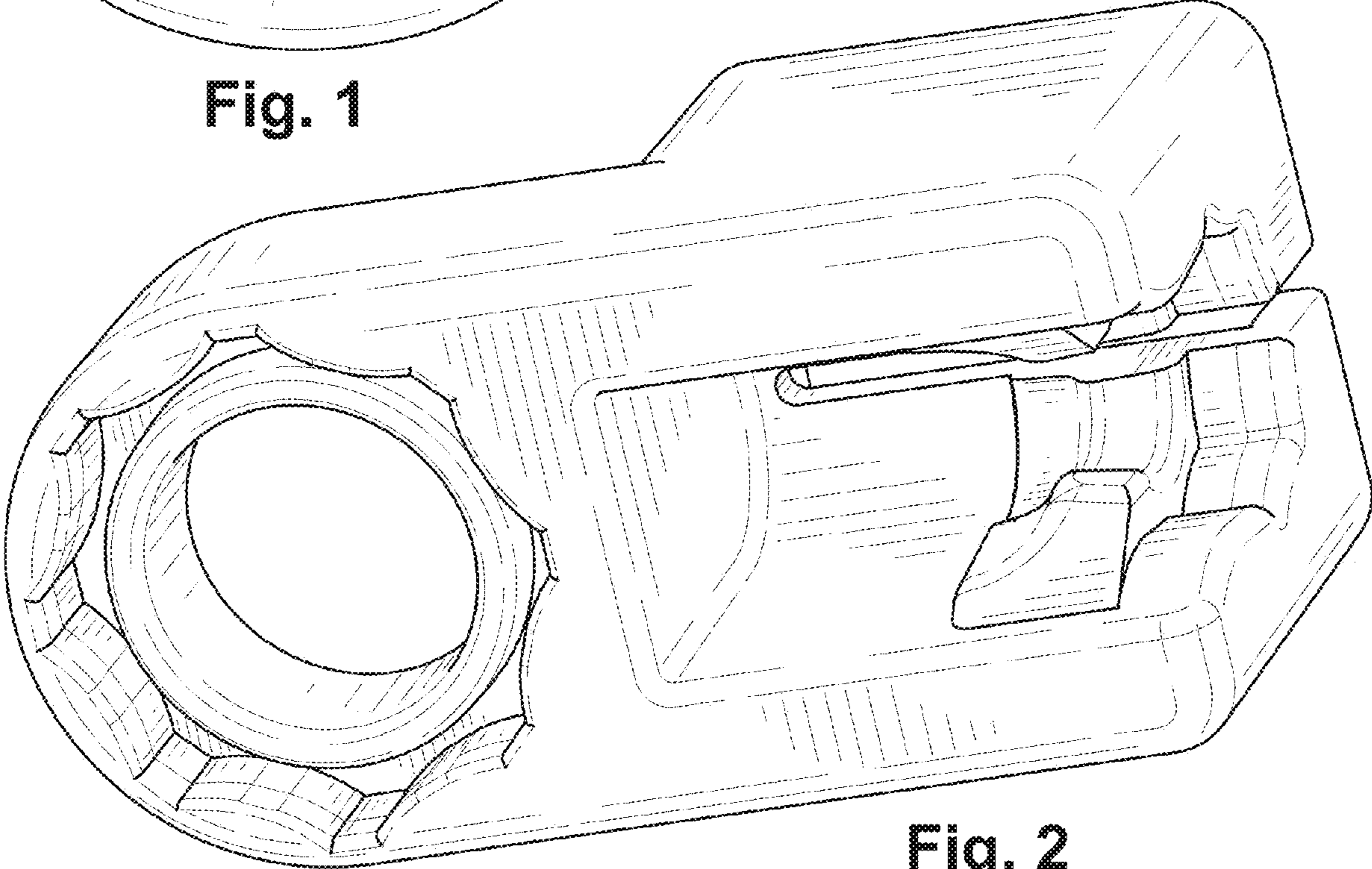


Fig. 2

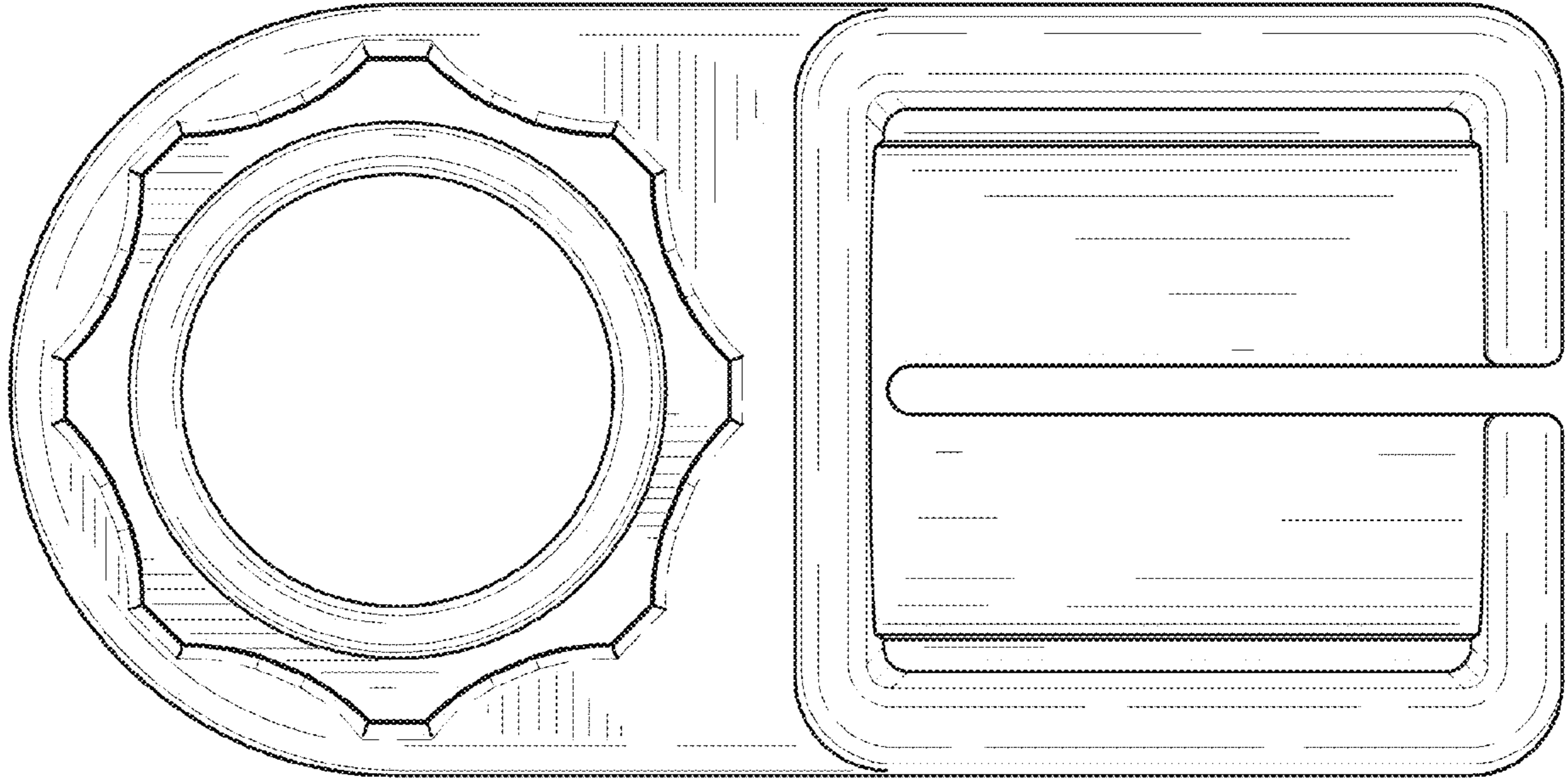


Fig. 3

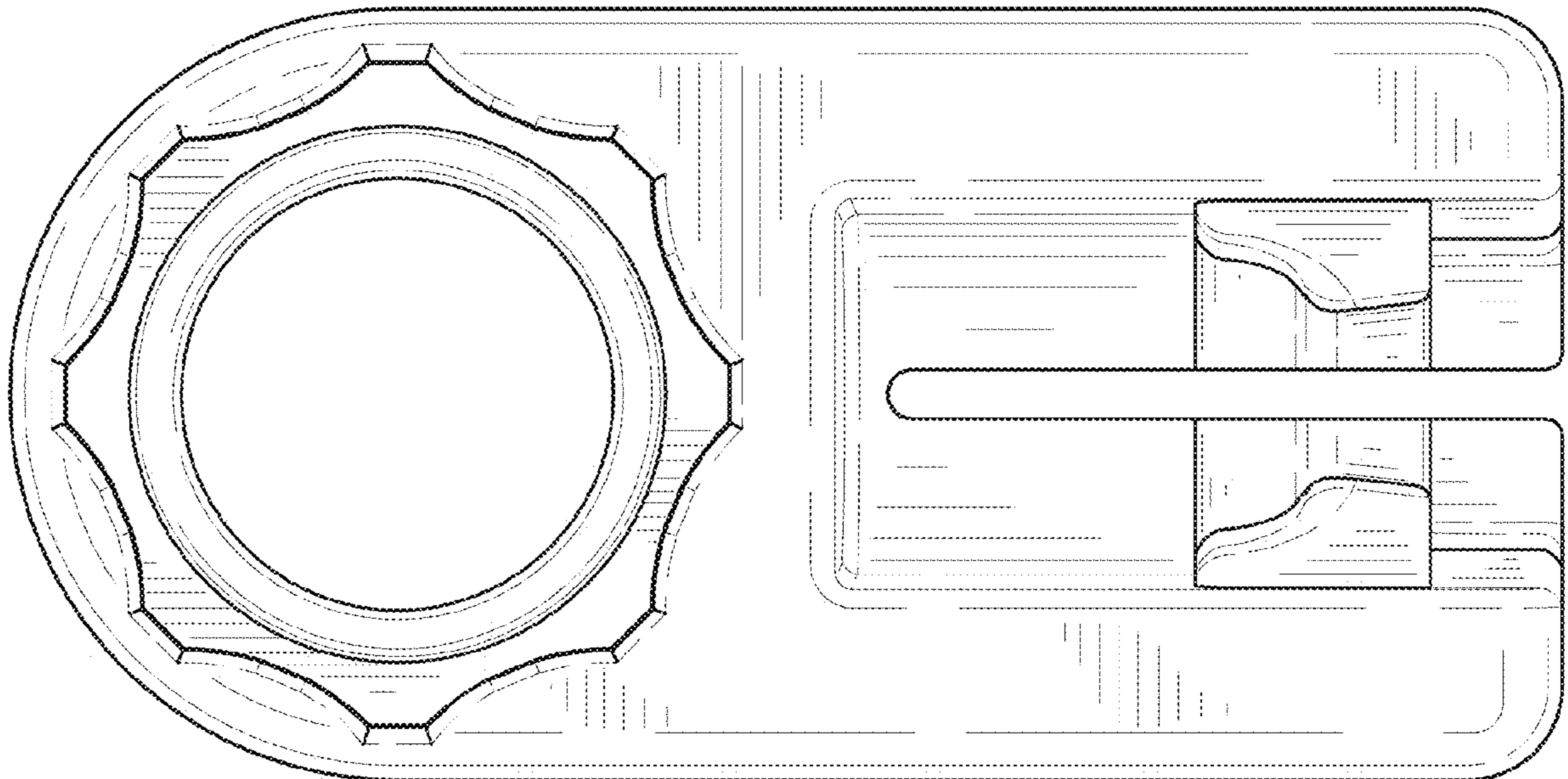


Fig. 4

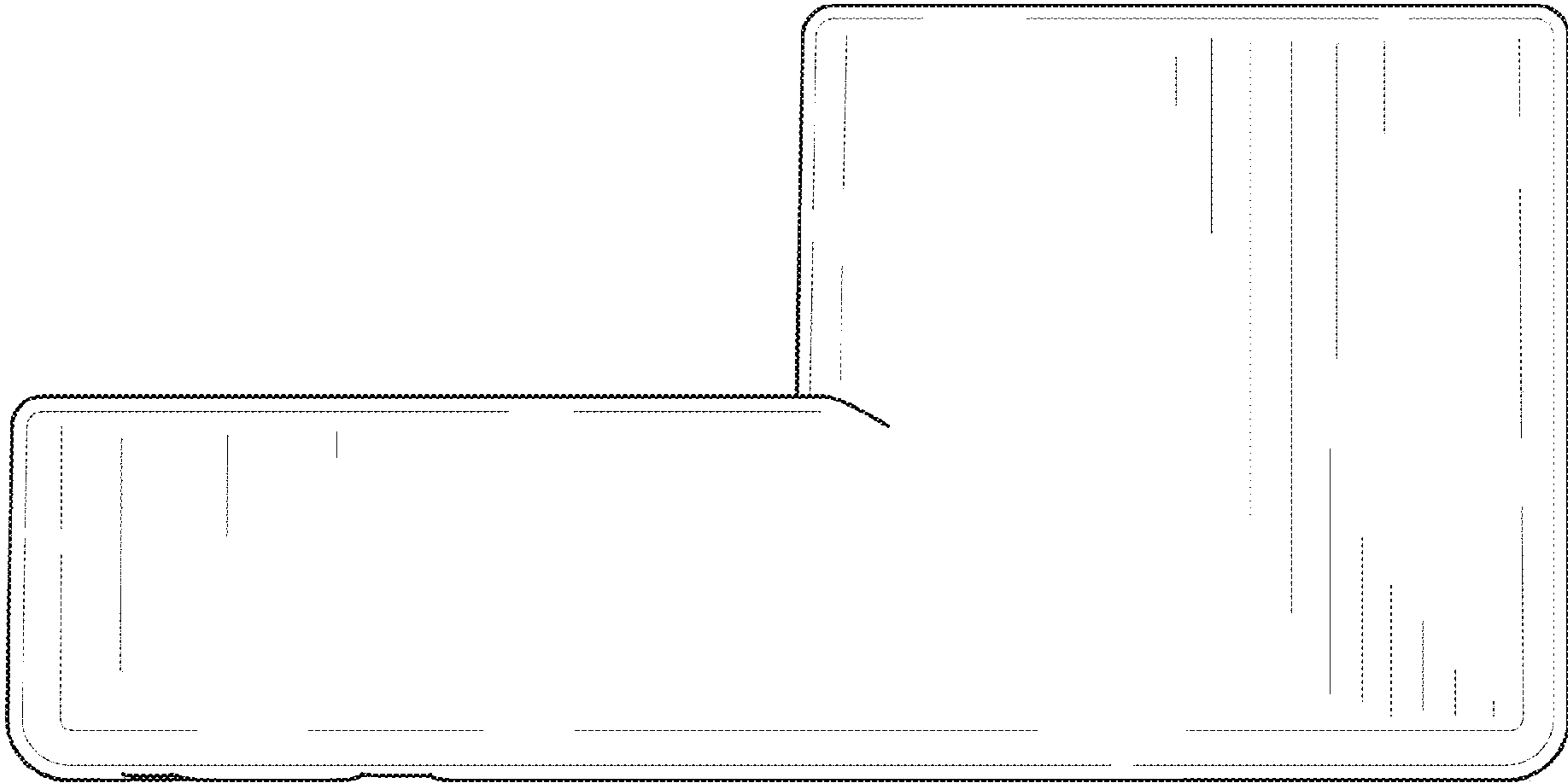


Fig. 5

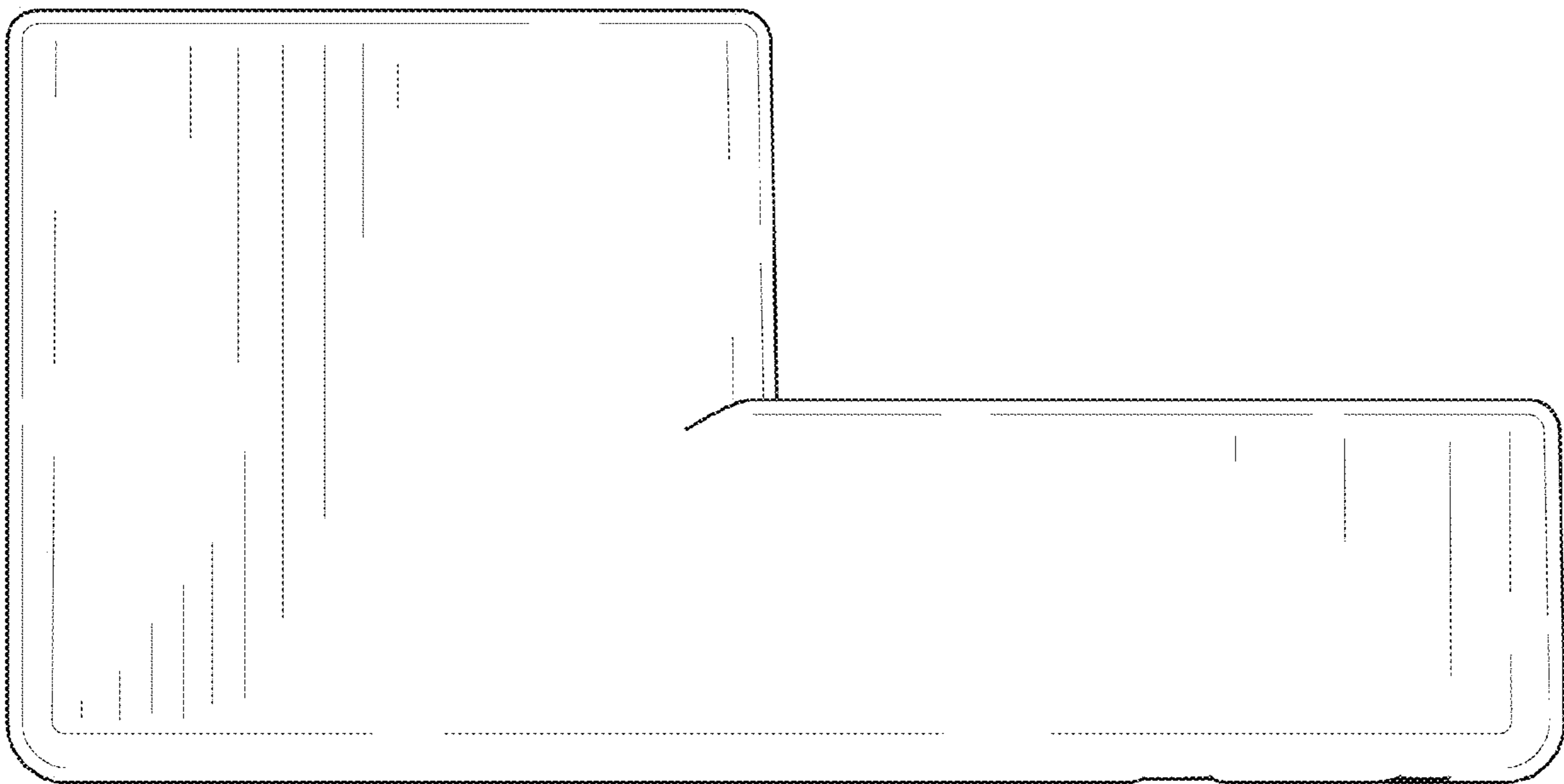


Fig. 6

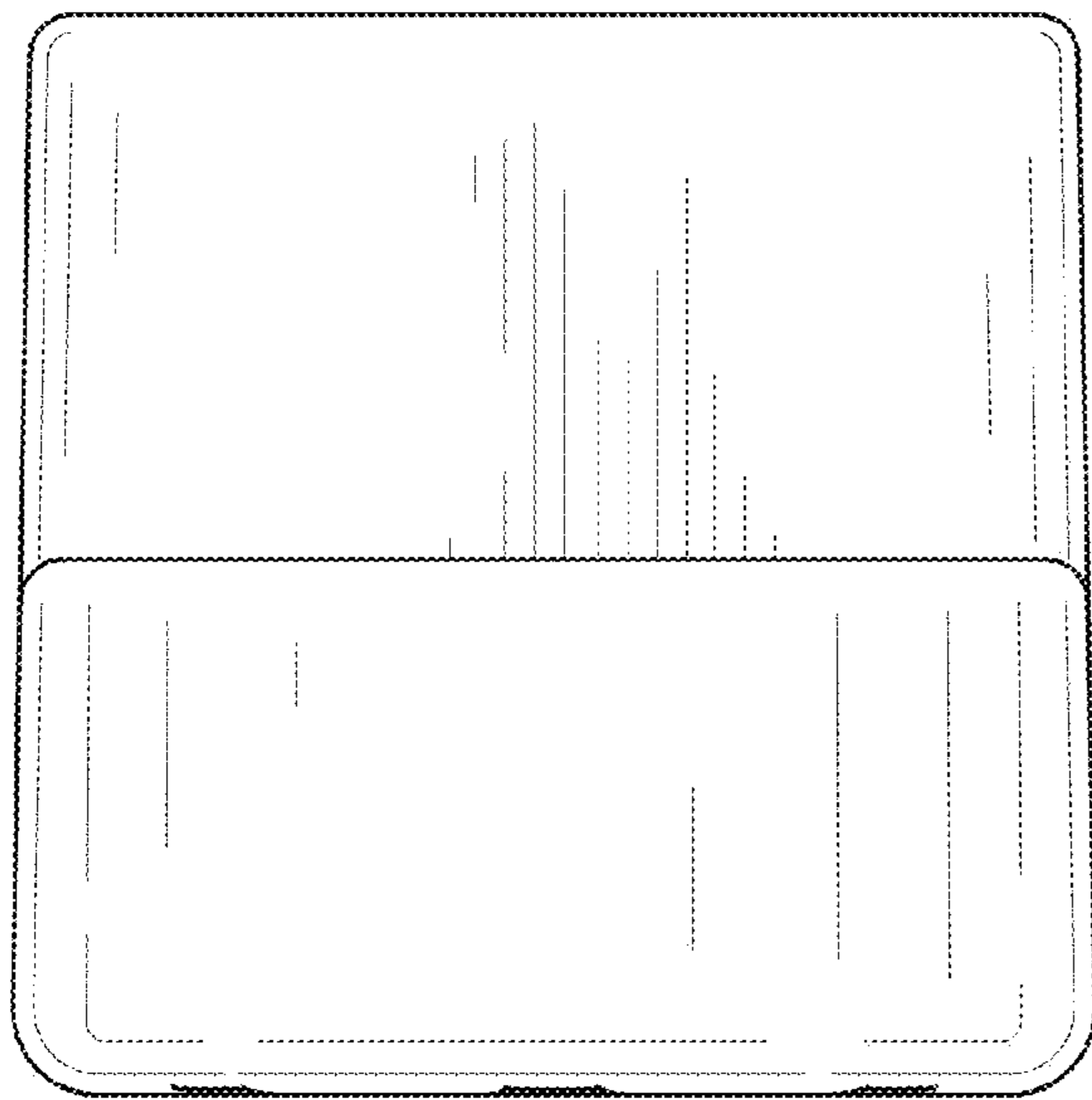


Fig. 7

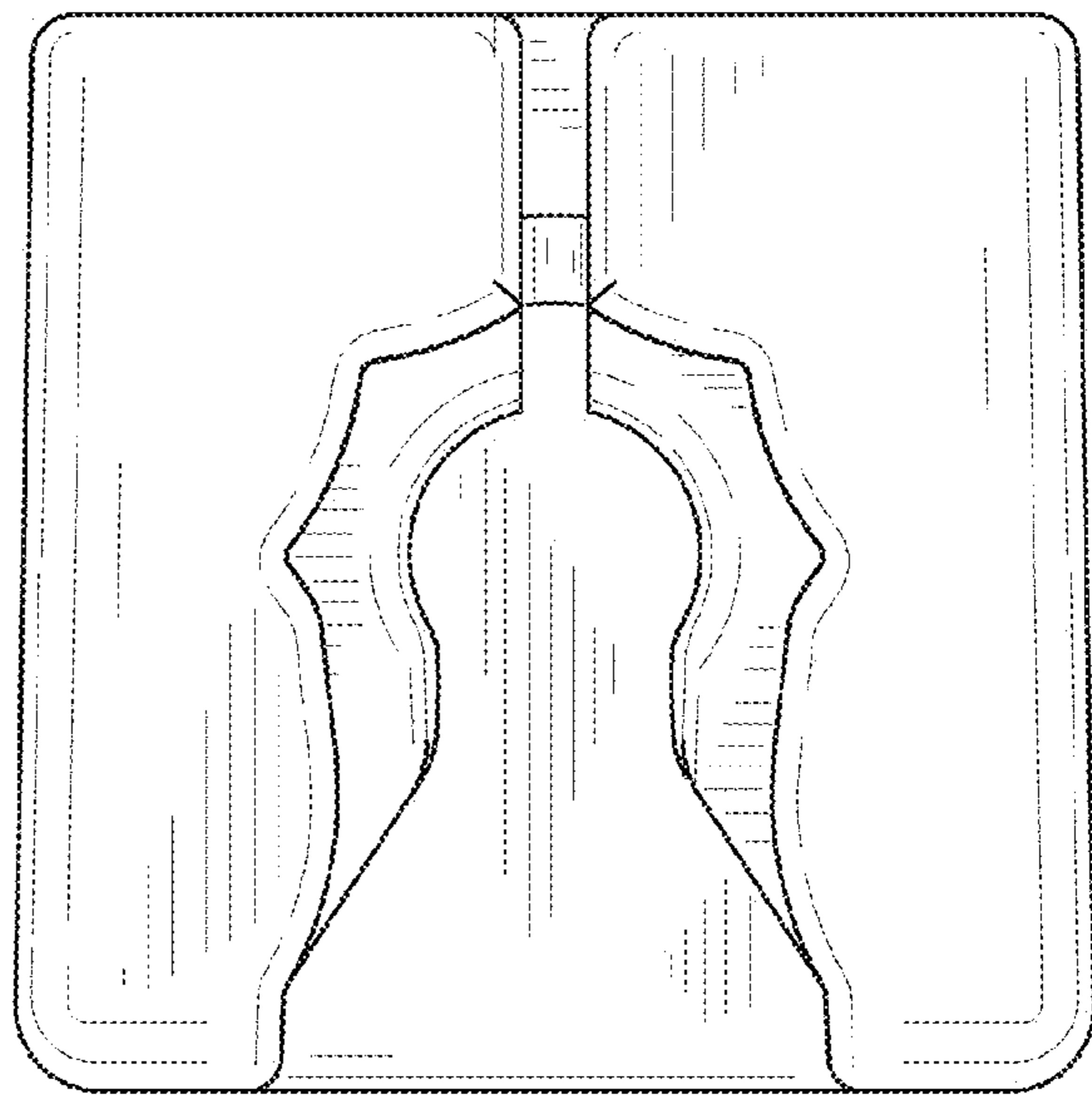


Fig. 8