



US00D937361S

(12) **United States Design Patent** (10) **Patent No.:** **US D937,361 S**
Sisamos (45) **Date of Patent:** **** Nov. 30, 2021**

(54) **SNAP-LOCK CONSTRUCTION TOY ROD MALE FEMALE UNIT**

2017/0209802 A1* 7/2017 Sisamos A63H 33/088
2018/0256997 A1* 9/2018 Barwald A63H 33/08
2020/0164281 A1* 5/2020 Anderson A63H 33/067

(71) Applicant: **Costas Sisamos**, Limassol (CY)

* cited by examiner

(72) Inventor: **Costas Sisamos**, Limassol (CY)

Primary Examiner — Cynthia M. Chin

(**) Term: **15 Years**

(74) *Attorney, Agent, or Firm* — Eschweiler & Potashnik, LLC

(21) Appl. No.: **29/721,605**

(57) **CLAIM**

(22) Filed: **Jan. 22, 2020**

The ornamental design for a snap-lock construction toy rod male female unit, as shown and described.

(51) **LOC (13) Cl.** **21-01**

(52) **U.S. Cl.**
USPC **D21/501**

DESCRIPTION

(58) **Field of Classification Search**
USPC D21/484, 485, 486, 491, 492, 493, 494, D21/495, 500, 501, 502, 503, 504
CPC A63H 33/00; A63H 33/04; A63H 33/06; A63H 33/062; A63H 33/08; A63H 33/084; A63H 33/088; A63H 33/101; A63H 33/108; A63H 33/12
See application file for complete search history.

FIG. 1 illustrates a front, top, and right side perspective view of a snap-lock construction toy rod male female unit according to the present invention.

FIG. 2 illustrates a rear, bottom, and left side perspective view of the snap-lock construction toy rod male female unit of FIG. 1.

FIG. 3 illustrates a top elevation view of the snap-lock construction toy rod male female unit of FIG. 1.

FIG. 4 illustrates a bottom elevation view of the snap-lock construction toy rod male female unit of FIG. 1.

FIG. 5 illustrates a front elevation view of the snap-lock construction toy rod male female unit of FIG. 1.

FIG. 6 illustrates a rear elevation view of the snap-lock construction toy rod male female unit of FIG. 1.

FIG. 7 illustrates a left side elevation view of the snap-lock construction toy rod male female unit of FIG. 1.

FIG. 8 illustrates a right side elevation view of the snap-lock construction toy rod male female unit of FIG. 1; and,

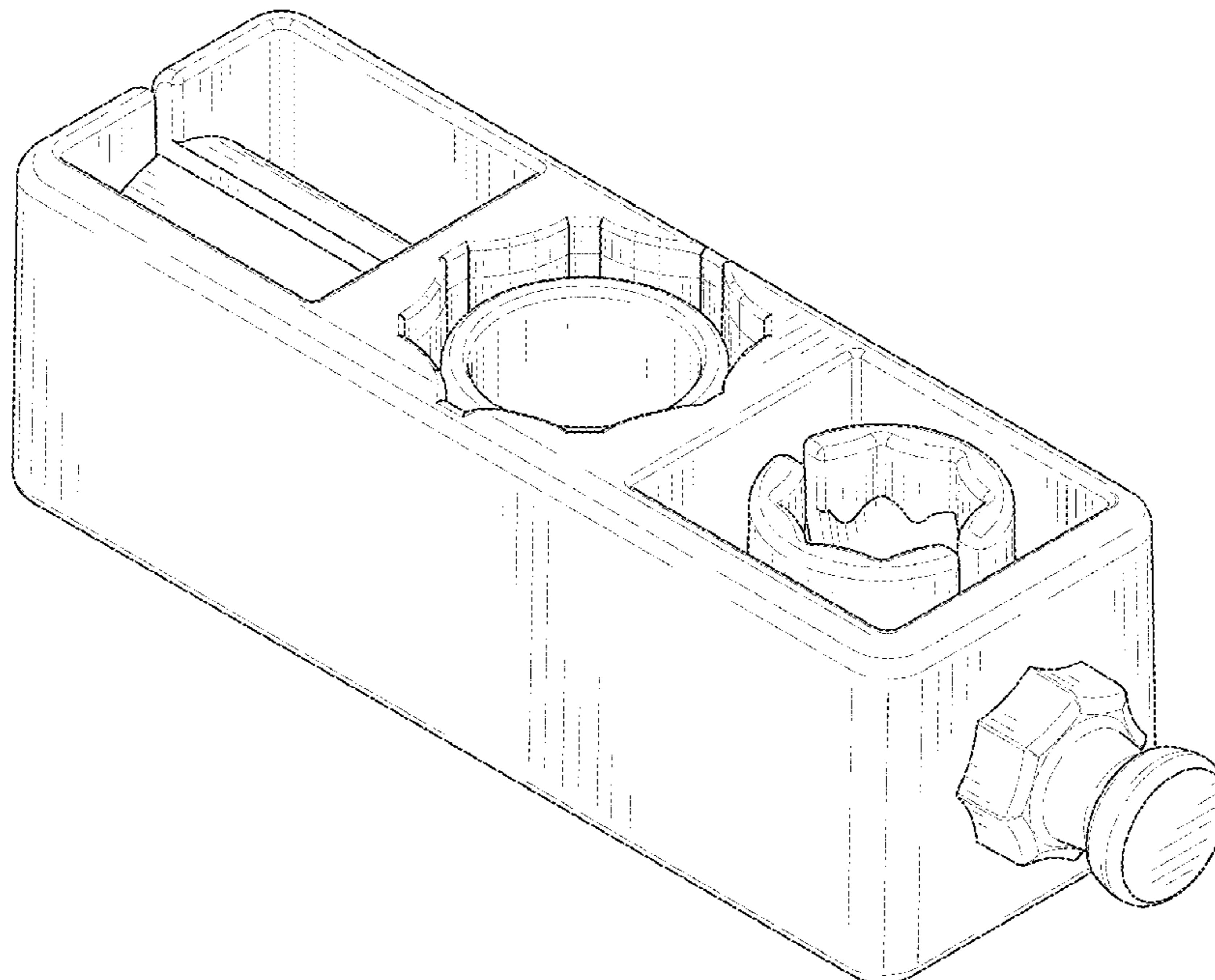
FIG. 9 illustrates a left side cross-sectional view of the snap-lock construction toy rod male female unit taken from line 9-9 of FIG. 3.

(56) **References Cited**

U.S. PATENT DOCUMENTS

D317,478 S * 6/1991 Larsen D21/501
D333,851 S * 3/1993 Olsen D21/502
D807,969 S * 1/2018 Hu D21/501
D812,151 S * 3/2018 Sisamos D21/501
D817,412 S * 5/2018 Hu D21/501
D858,652 S * 9/2019 Wilson D21/500
D907,719 S * 1/2021 Semling D21/501
2004/0116037 A1* 6/2004 Garpow B65D 81/361
446/74
2014/0090630 A1* 4/2014 Bird F41B 7/08
124/31
2016/0346708 A1* 12/2016 Yim A63H 33/088

1 Claim, 8 Drawing Sheets



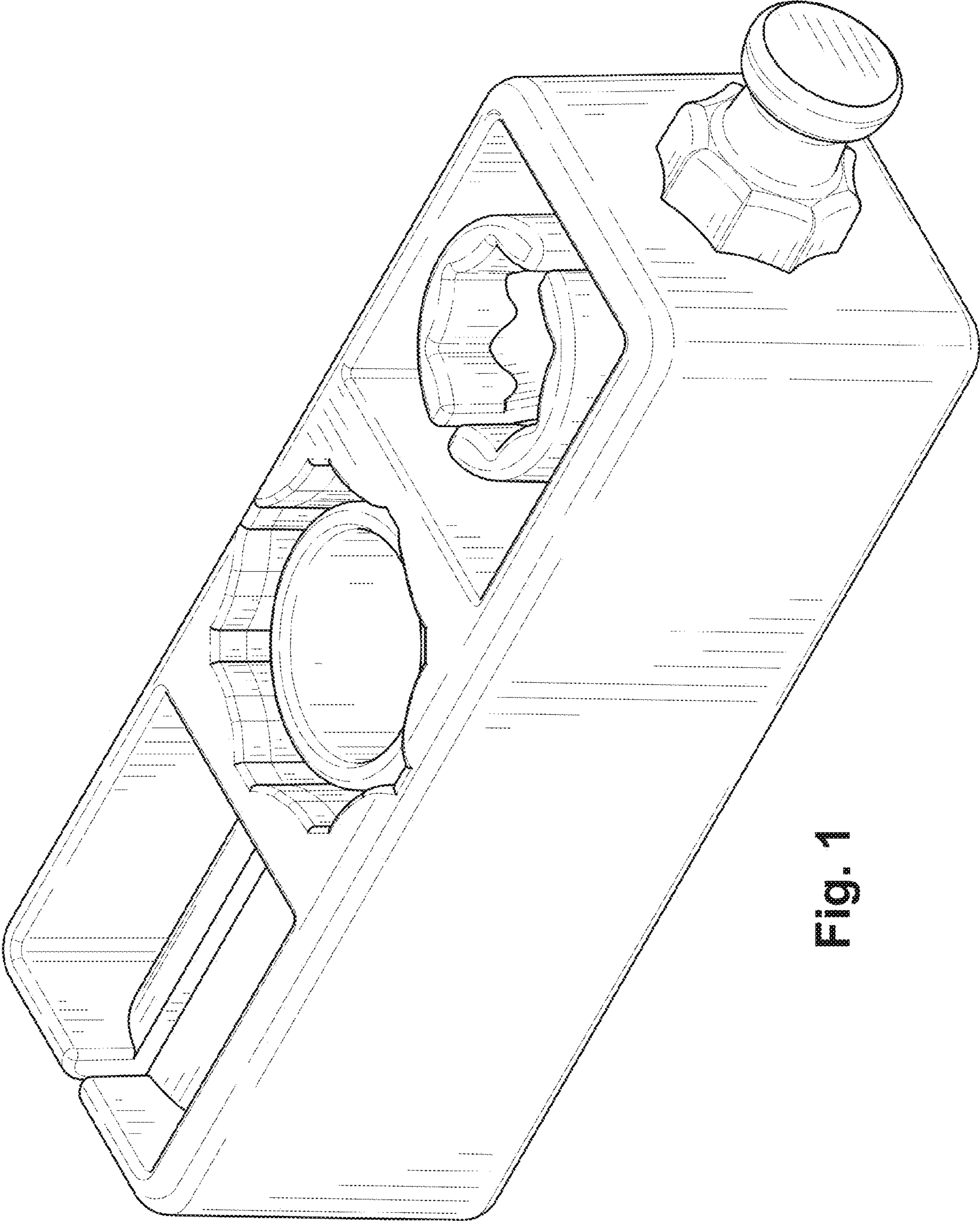


Fig. 1

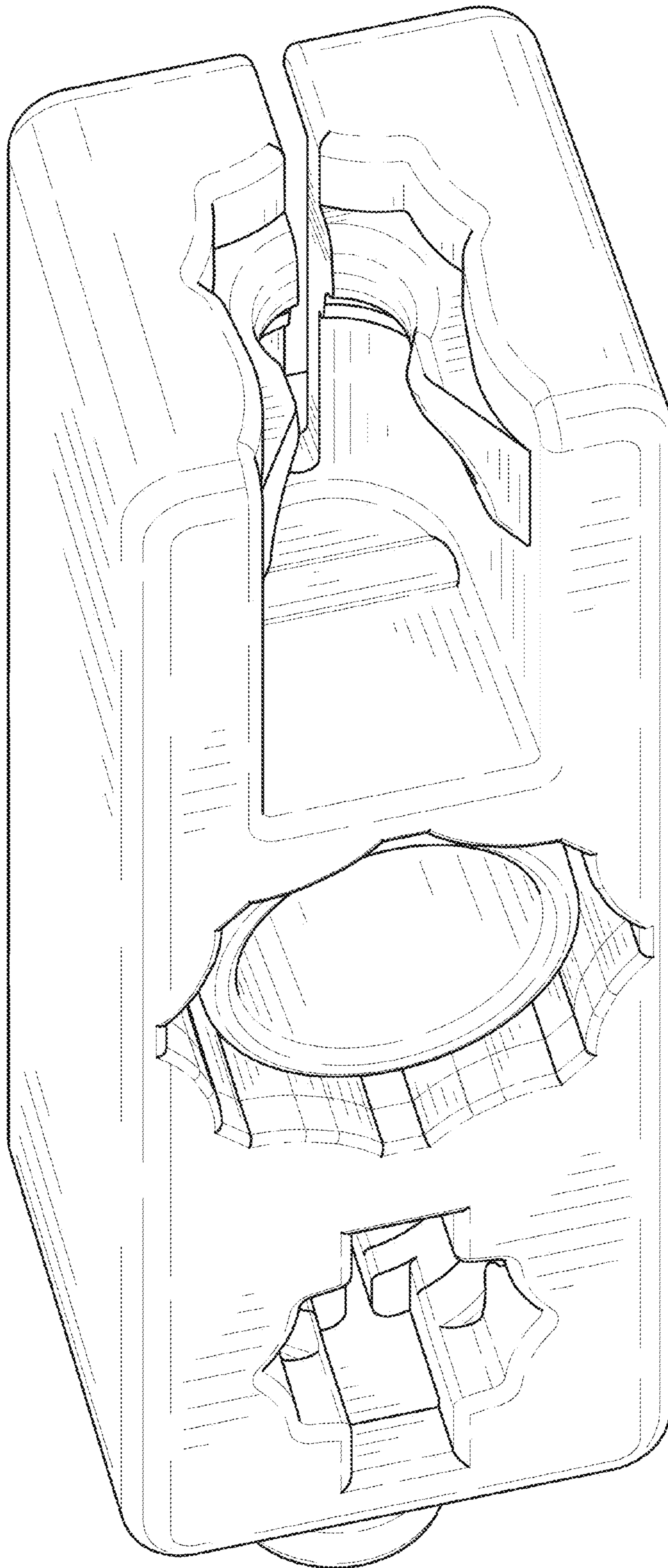


Fig. 2

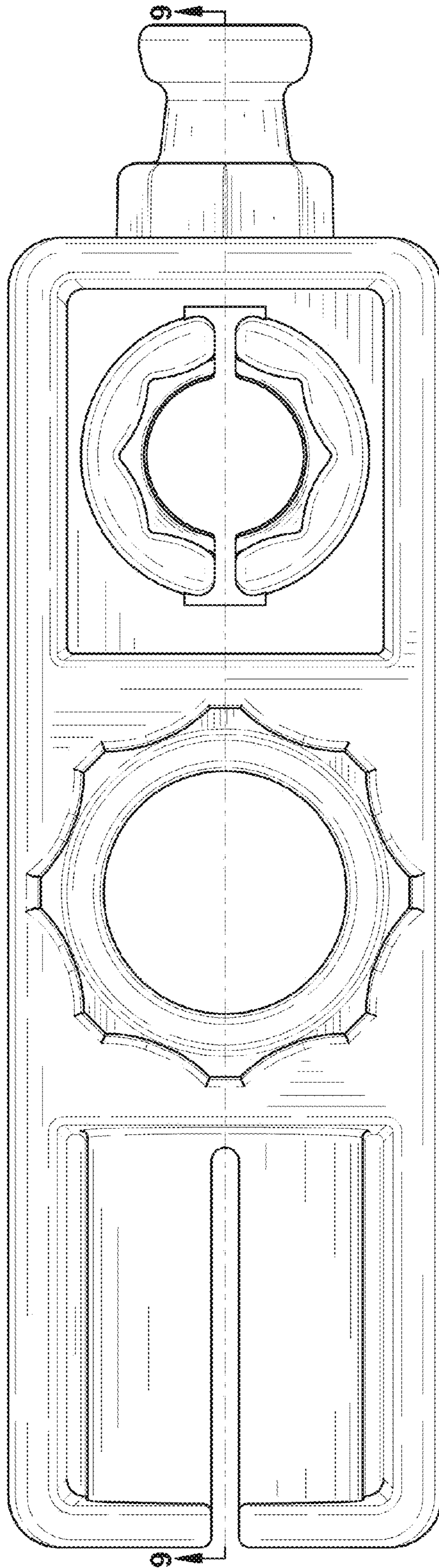


Fig. 3

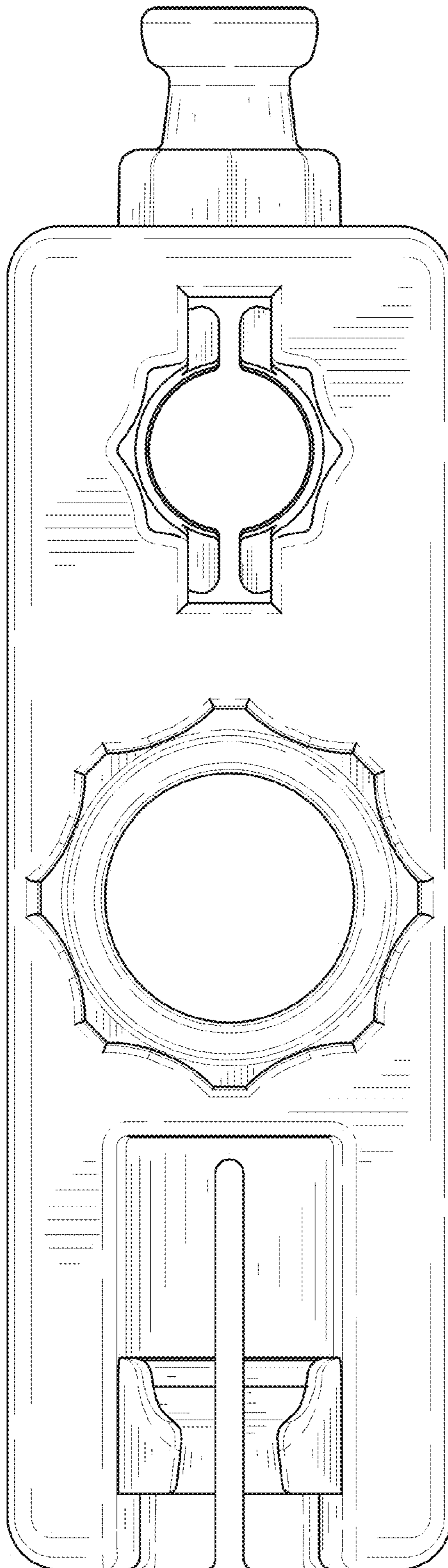


Fig. 4

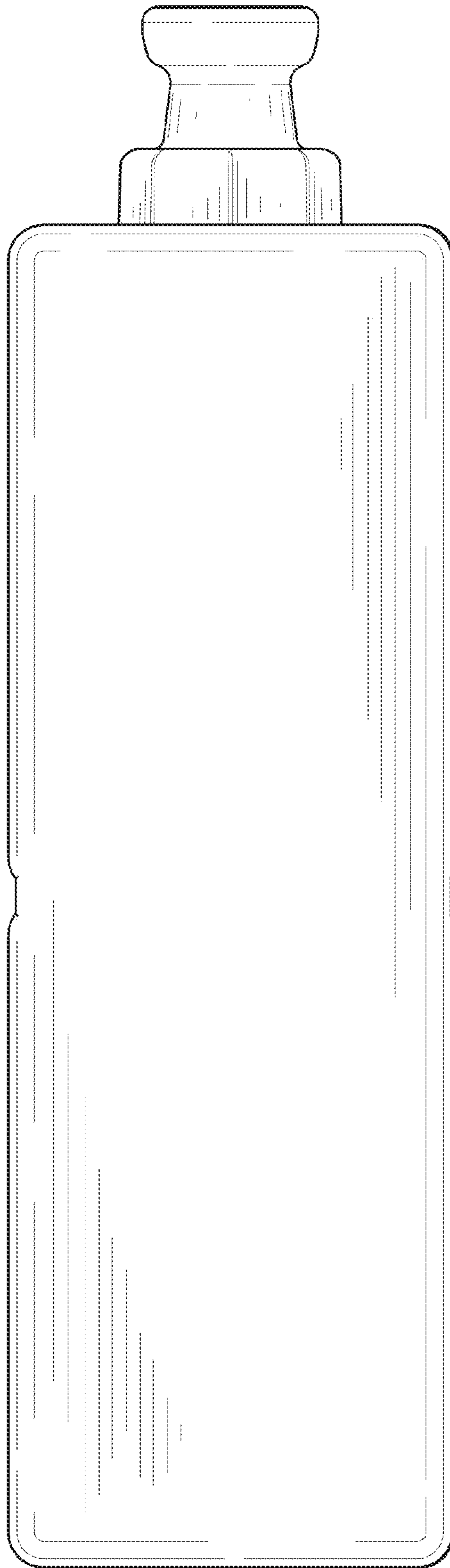


Fig. 5

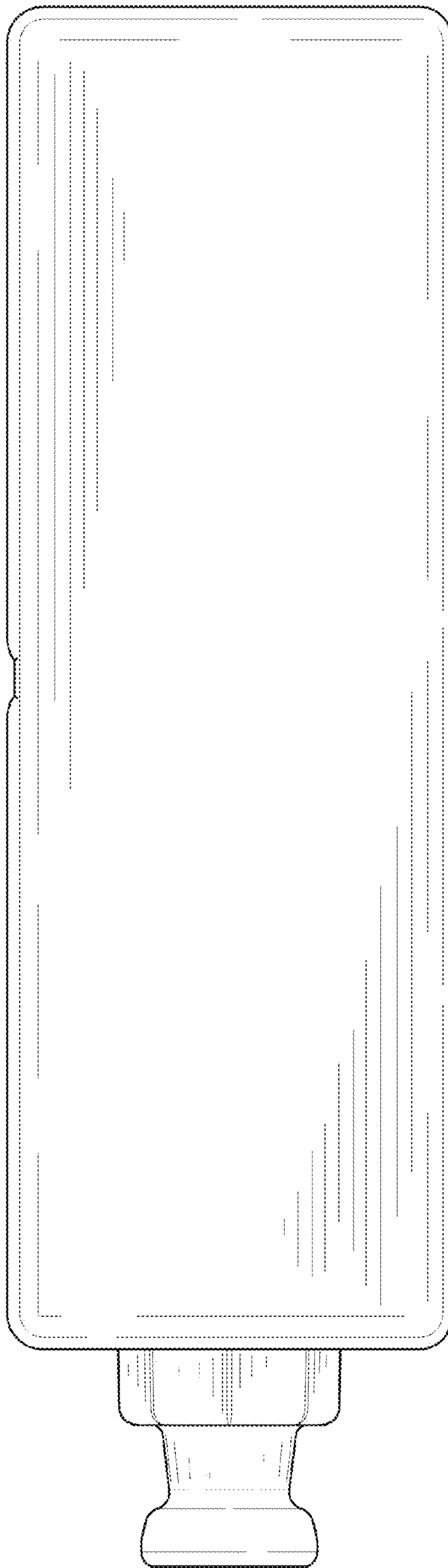


Fig. 6

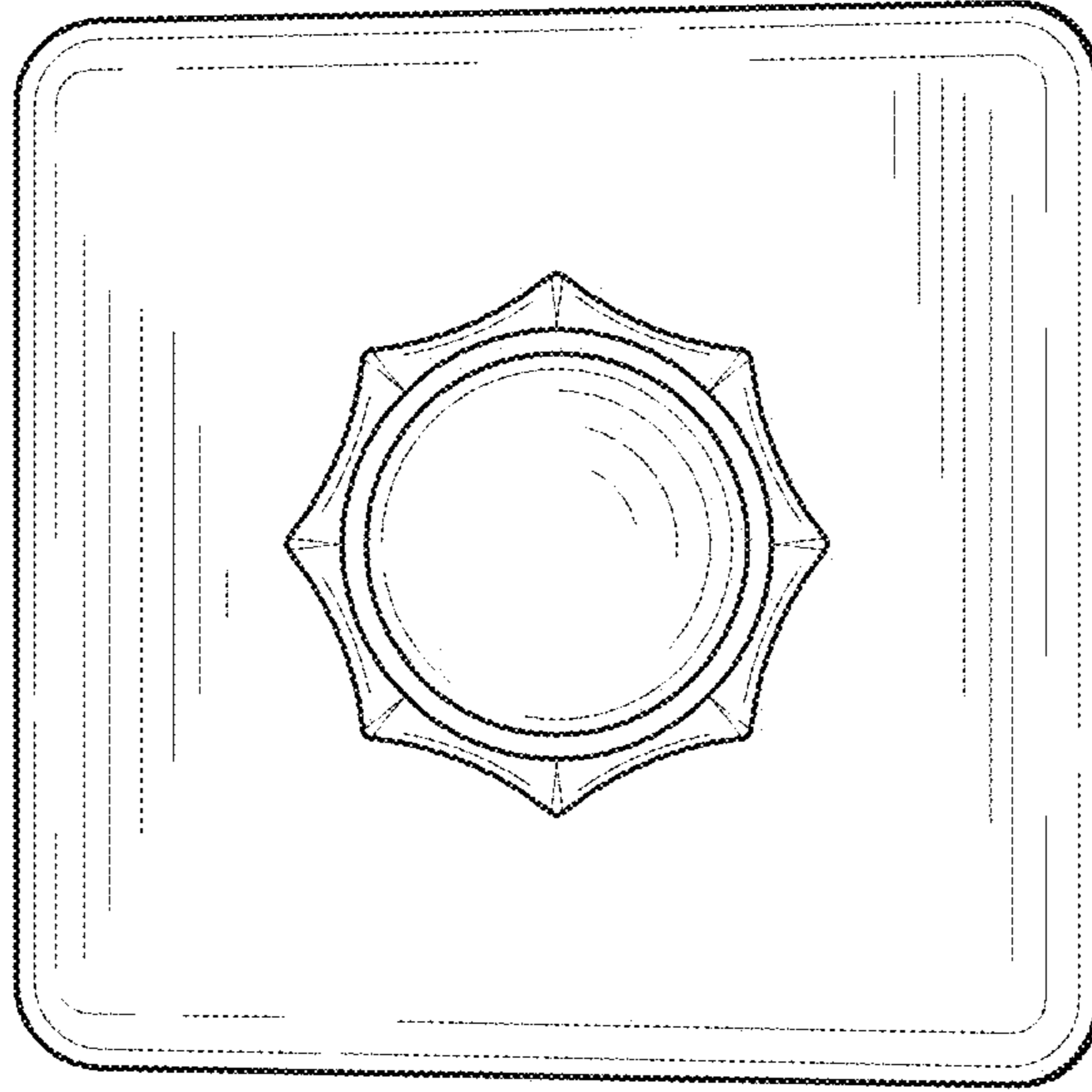


Fig. 8

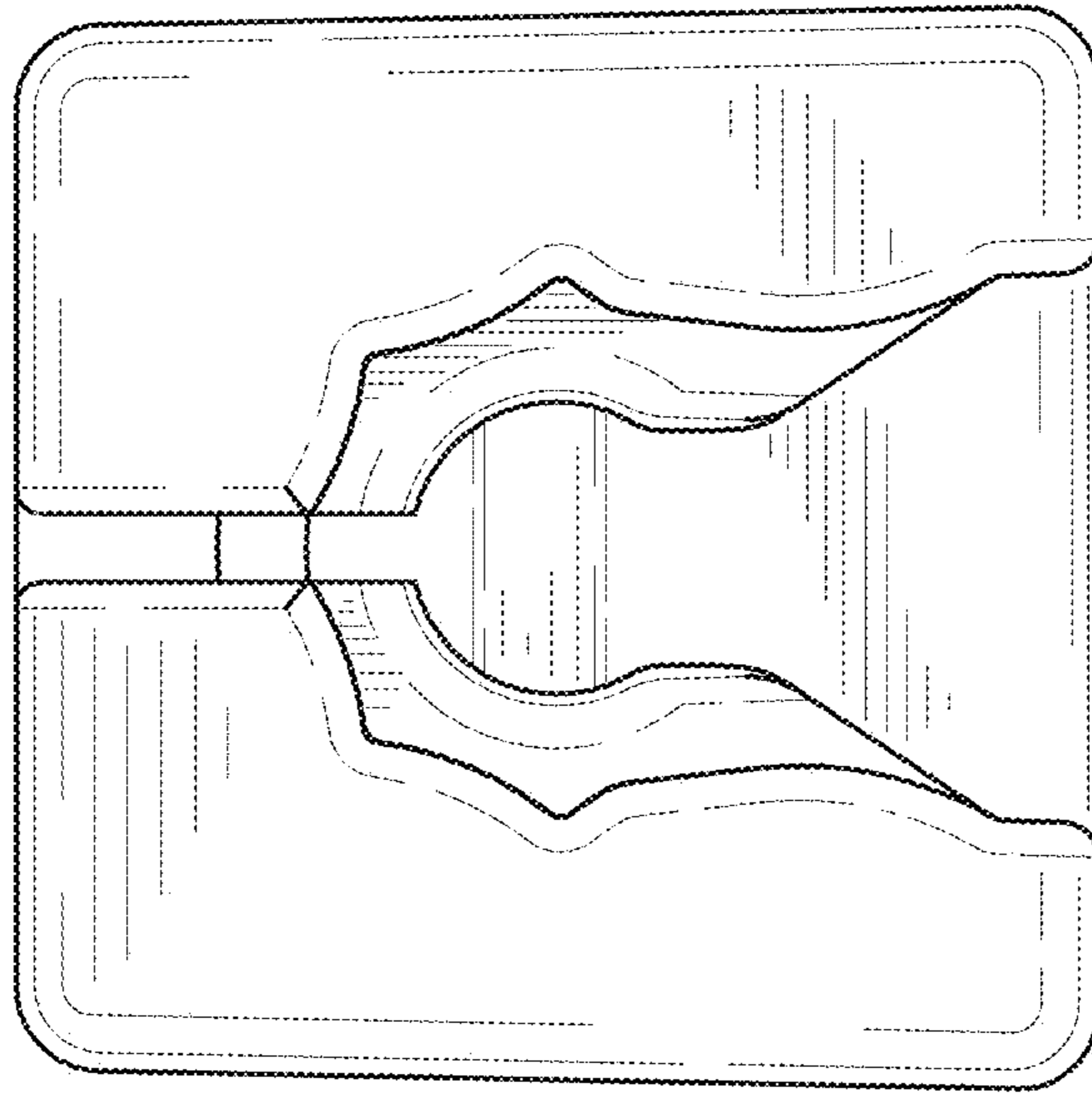


Fig. 7

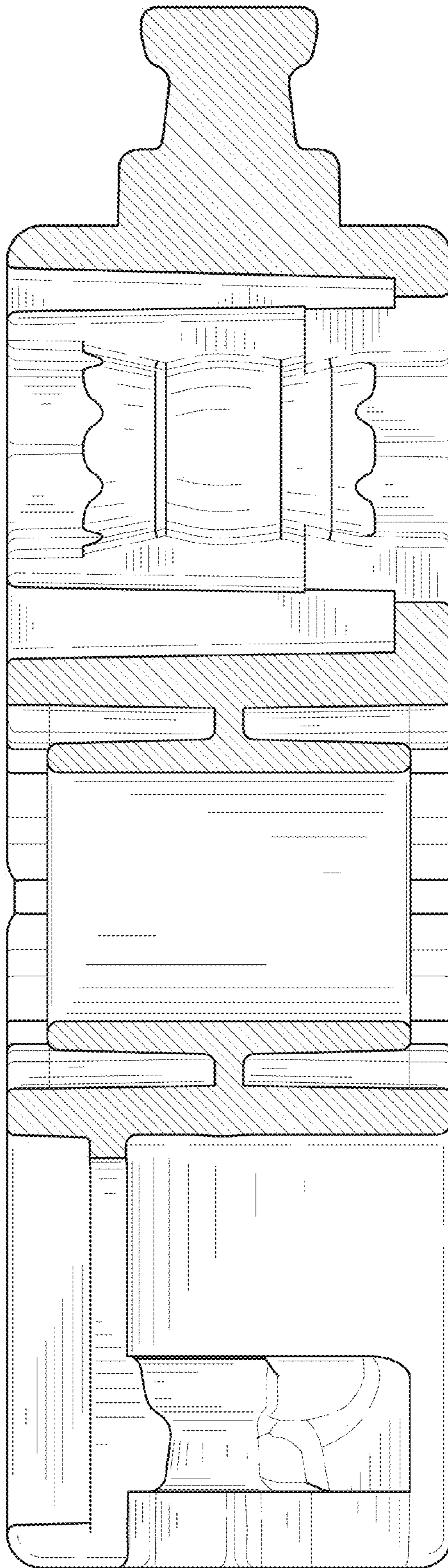


Fig. 9