



US00D937360S

(12) **United States Design Patent** (10) **Patent No.:** **US D937,360 S**  
**Sisamos** (45) **Date of Patent:** **\*\* Nov. 30, 2021**

(54) **SNAP-LOCK CONSTRUCTION TOY MALE ROUND AXLE**

2007/0123137 A1\* 5/2007 Marzetta ..... A63H 33/105  
446/120  
2012/0210546 A1\* 8/2012 Jang ..... A63H 33/101  
24/615  
2014/0090630 A1\* 4/2014 Bird ..... F41B 7/08  
124/31

(71) Applicant: **Costas Sisamos**, Limassol (CY)

(72) Inventor: **Costas Sisamos**, Limassol (CY)

(\*\*) Term: **15 Years**

(21) Appl. No.: **29/721,641**

(22) Filed: **Jan. 22, 2020**

(51) **LOC (13) Cl.** ..... **21-01**

(52) **U.S. Cl.**  
USPC ..... **D21/487**

(58) **Field of Classification Search**  
USPC ..... D21/484, 485, 486, 487, 488, 492, 495,  
D21/502, 503  
CPC ..... A63H 33/00; A63H 33/04; A63H 33/06;  
A63H 33/062; A63H 33/08; A63H  
33/084; A63H 33/088; A63H 33/101;  
A63H 33/108; A63H 33/12  
See application file for complete search history.

(56) **References Cited**

U.S. PATENT DOCUMENTS

D278,143 S *	3/1985	Hill	.....	D13/182
D306,190 S *	2/1990	Poulsen	.....	D21/498
D373,153 S *	8/1996	Madsen	.....	D21/487
D409,677 S *	5/1999	Jensen	.....	D21/487
D553,203 S *	10/2007	Glickman	.....	D21/487
D553,204 S *	10/2007	Glickman	.....	D21/487
7,517,270 B2 *	4/2009	Marzetta	.....	A63H 33/101 446/113
D706,362 S *	6/2014	Norman	.....	D21/487
D711,972 S *	8/2014	Norman	.....	D21/487
D711,973 S *	8/2014	Norman	.....	D21/487
10,905,966 B2 *	2/2021	Sisamos	.....	A63H 33/062

\* cited by examiner

*Primary Examiner* — Cynthia M. Chin

(74) *Attorney, Agent, or Firm* — Eschweiler & Potashnik, LLC

(57) **CLAIM**

The ornamental design for a snap-lock construction toy male round axle, as shown and described.

**DESCRIPTION**

FIG. 1 illustrates a front, top, and right side perspective view of a snap-lock construction toy male round axle according to the present invention.

FIG. 2 illustrates a rear, bottom, and side perspective view of the snap-lock construction toy male round axle according to the embodiment of FIG. 1.

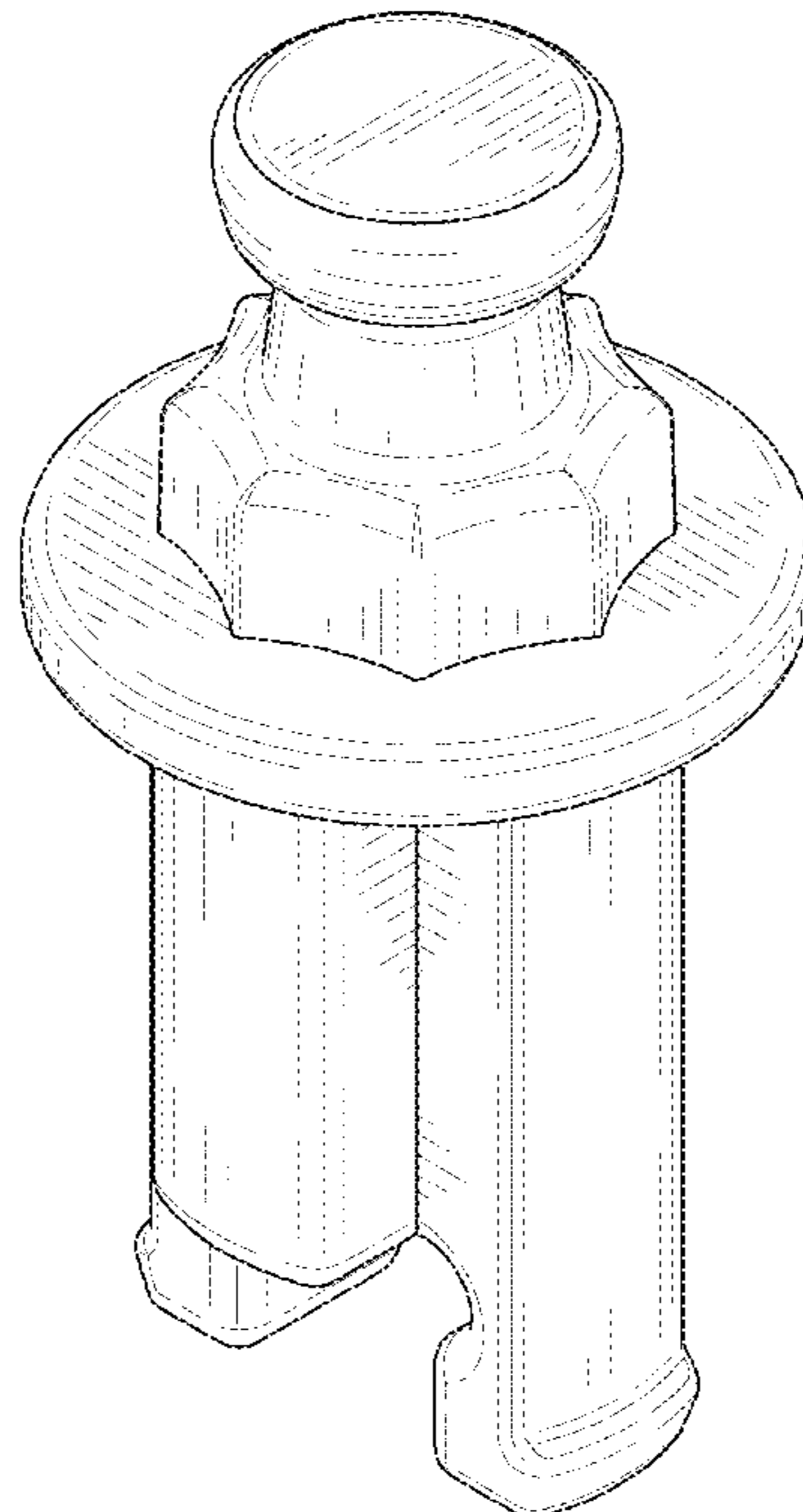
FIG. 3 illustrates a side elevation view of the snap-lock construction toy male round axle according to the embodiment of FIG. 1.

FIG. 4 illustrates a front elevation view of the snap-lock construction toy male round axle according to the embodiment of FIG. 1.

FIG. 5 illustrates a top elevation view of the snap-lock construction toy male round axle according to the embodiment of FIG. 1; and,

FIG. 6 illustrates a bottom elevation view of the snap-lock construction toy male round axle according to the embodiment of FIG. 1.

**1 Claim, 3 Drawing Sheets**



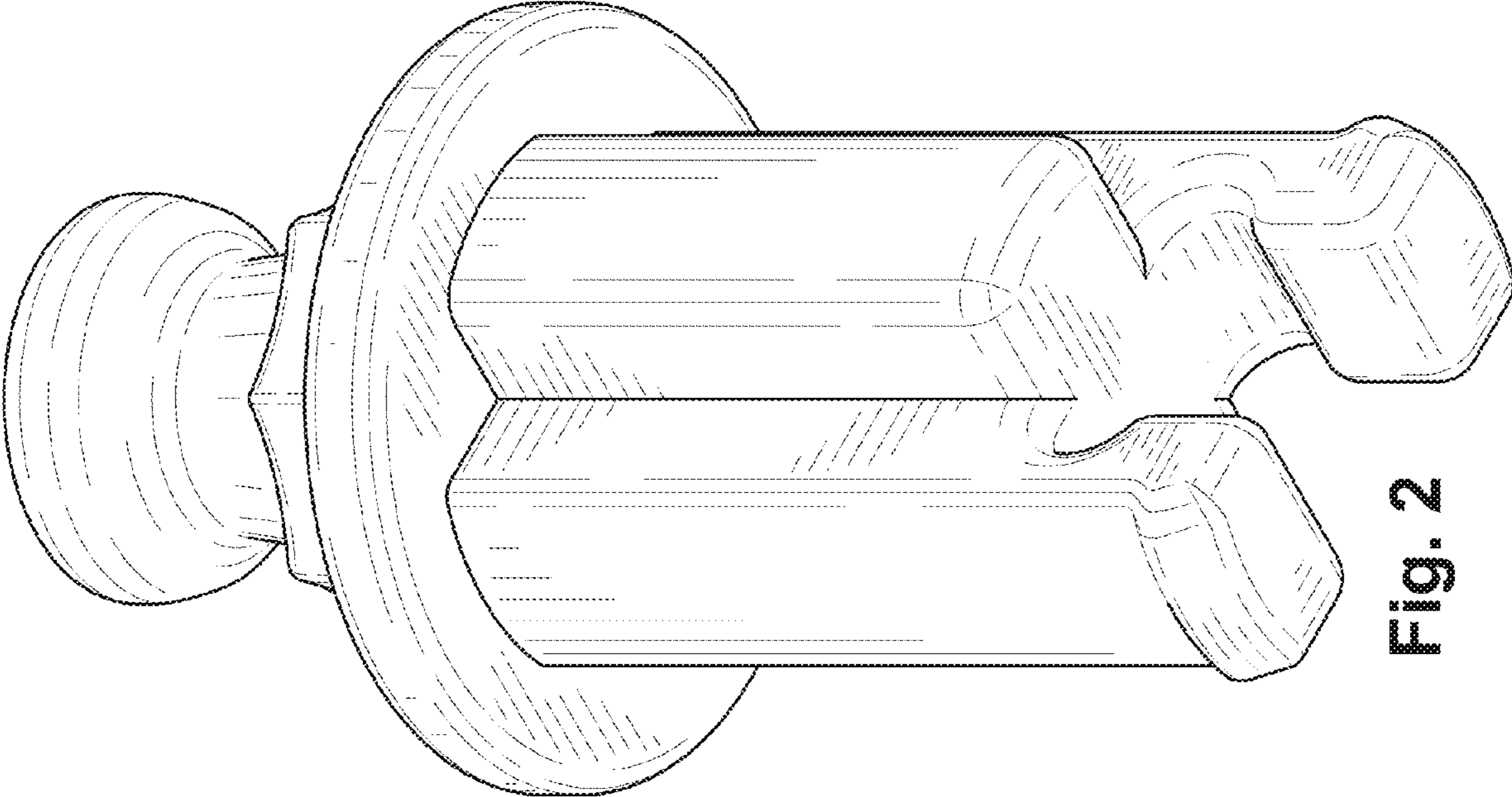


Fig. 2

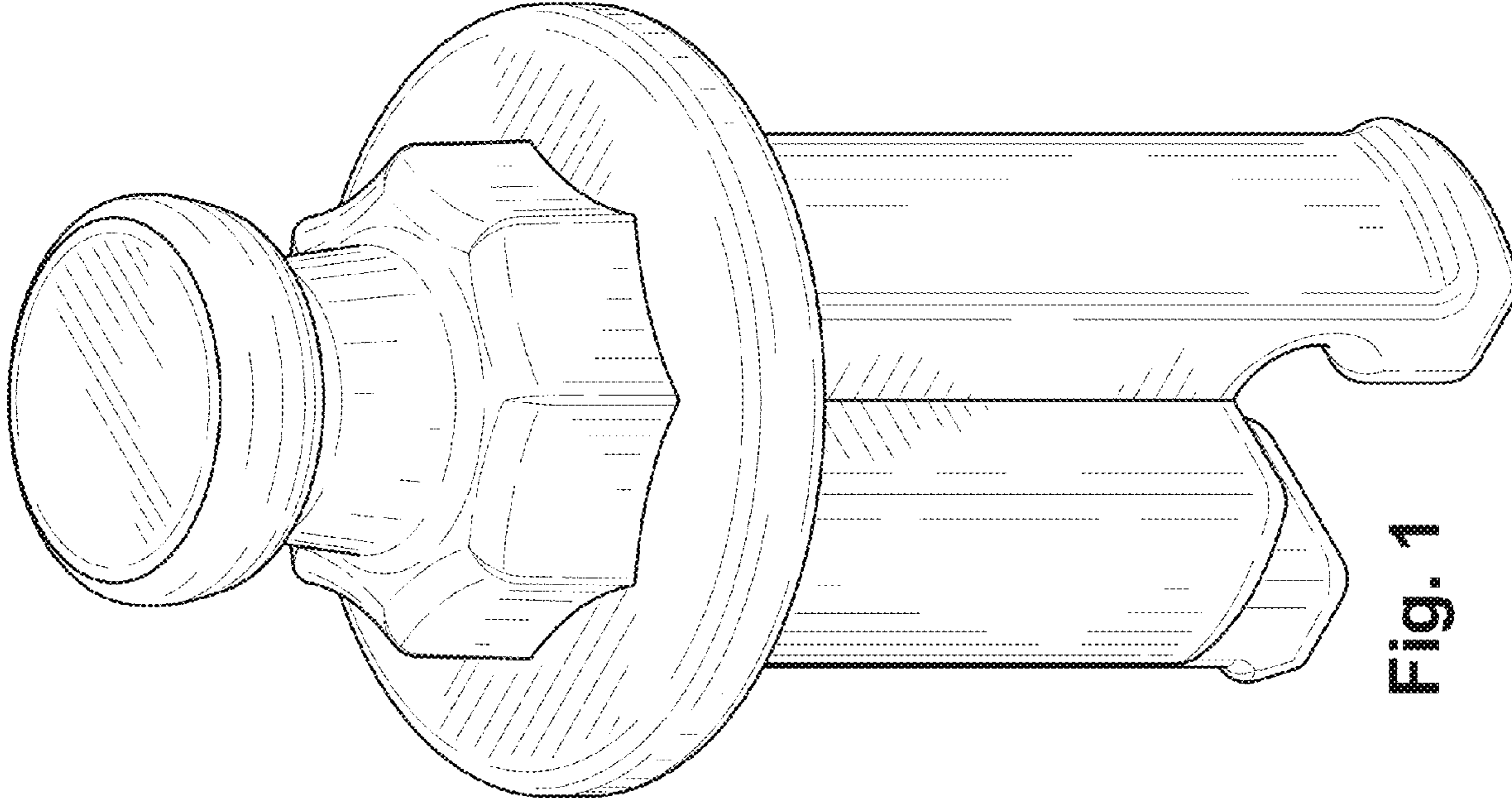


Fig. 1

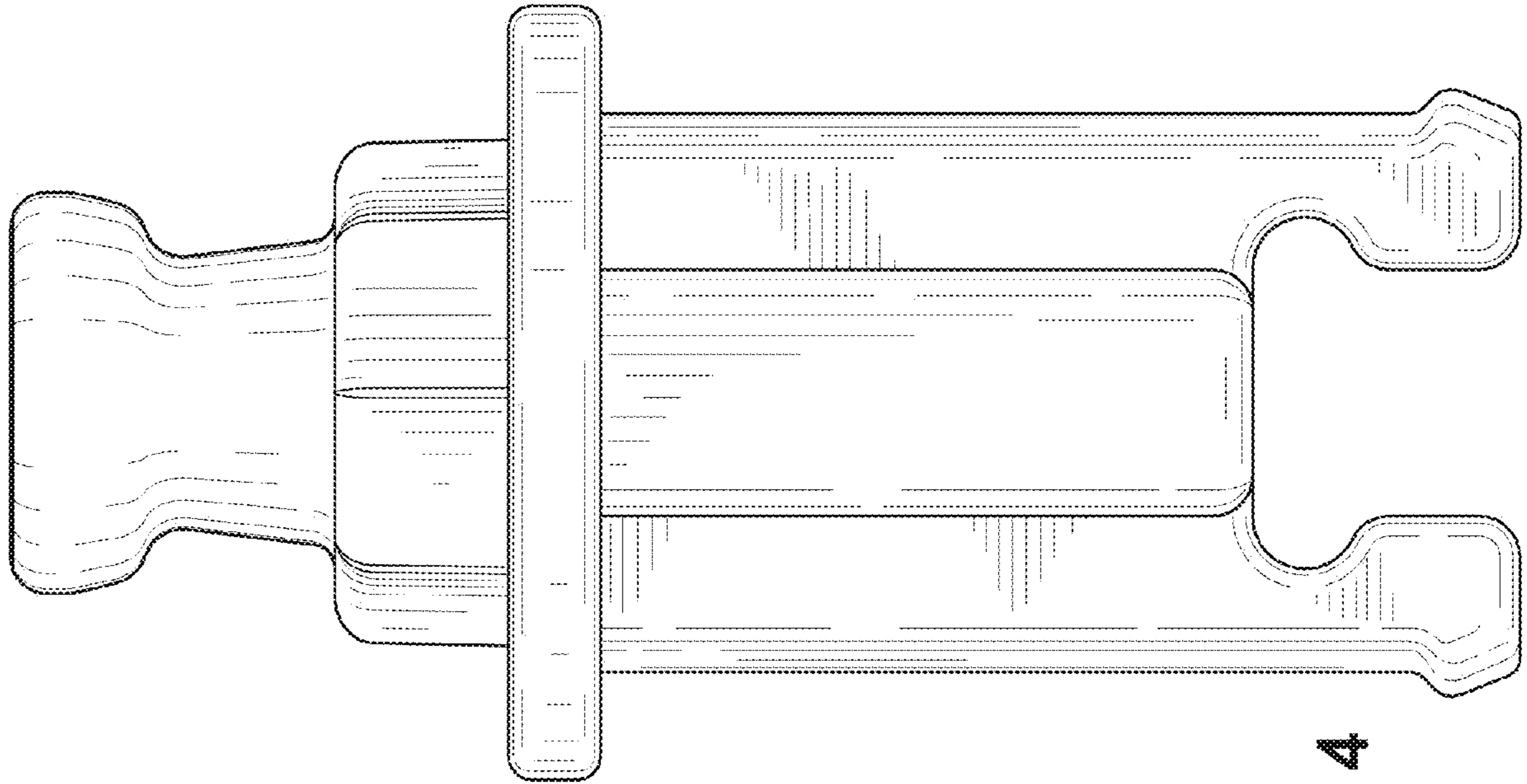


Fig. 4

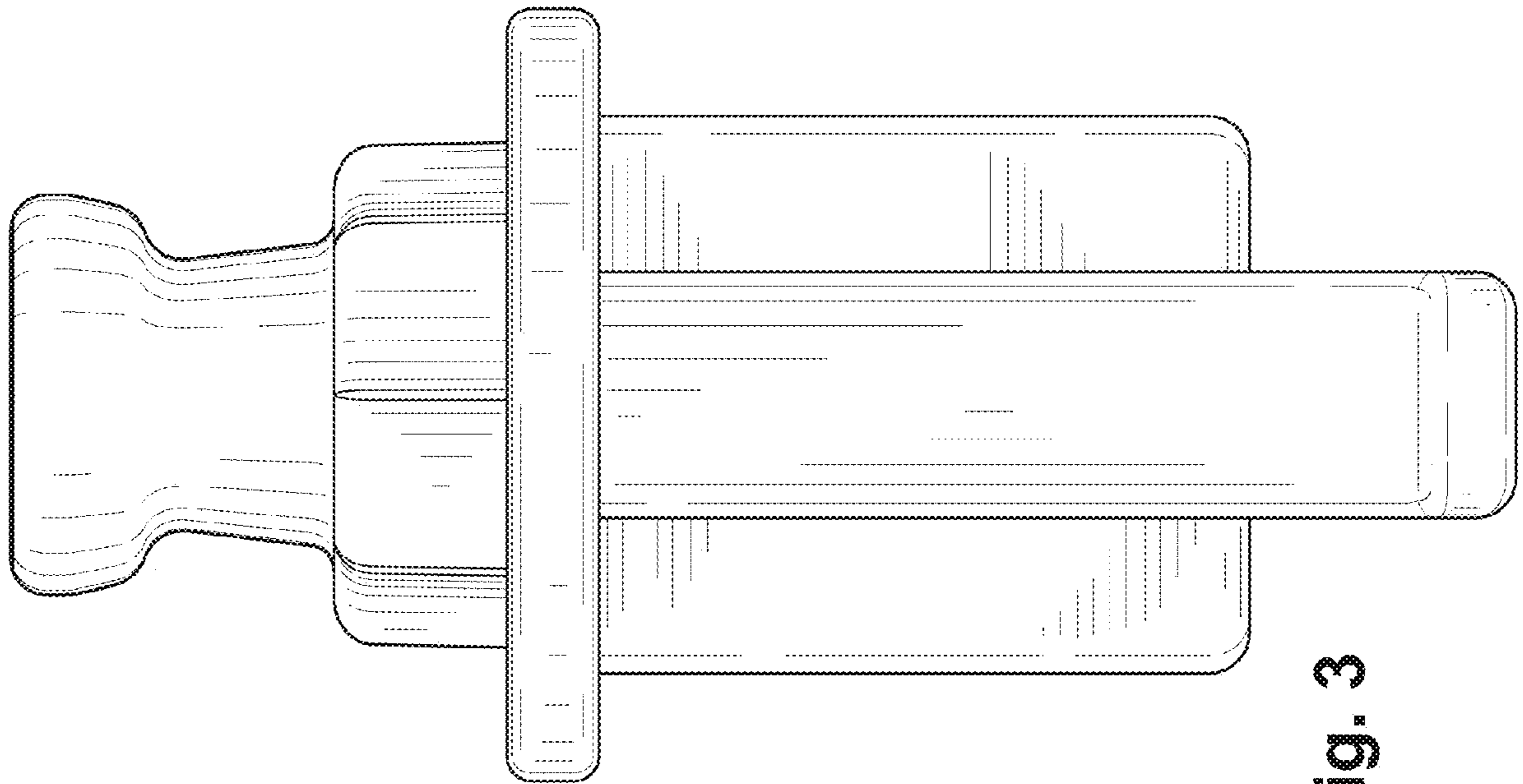


Fig. 3

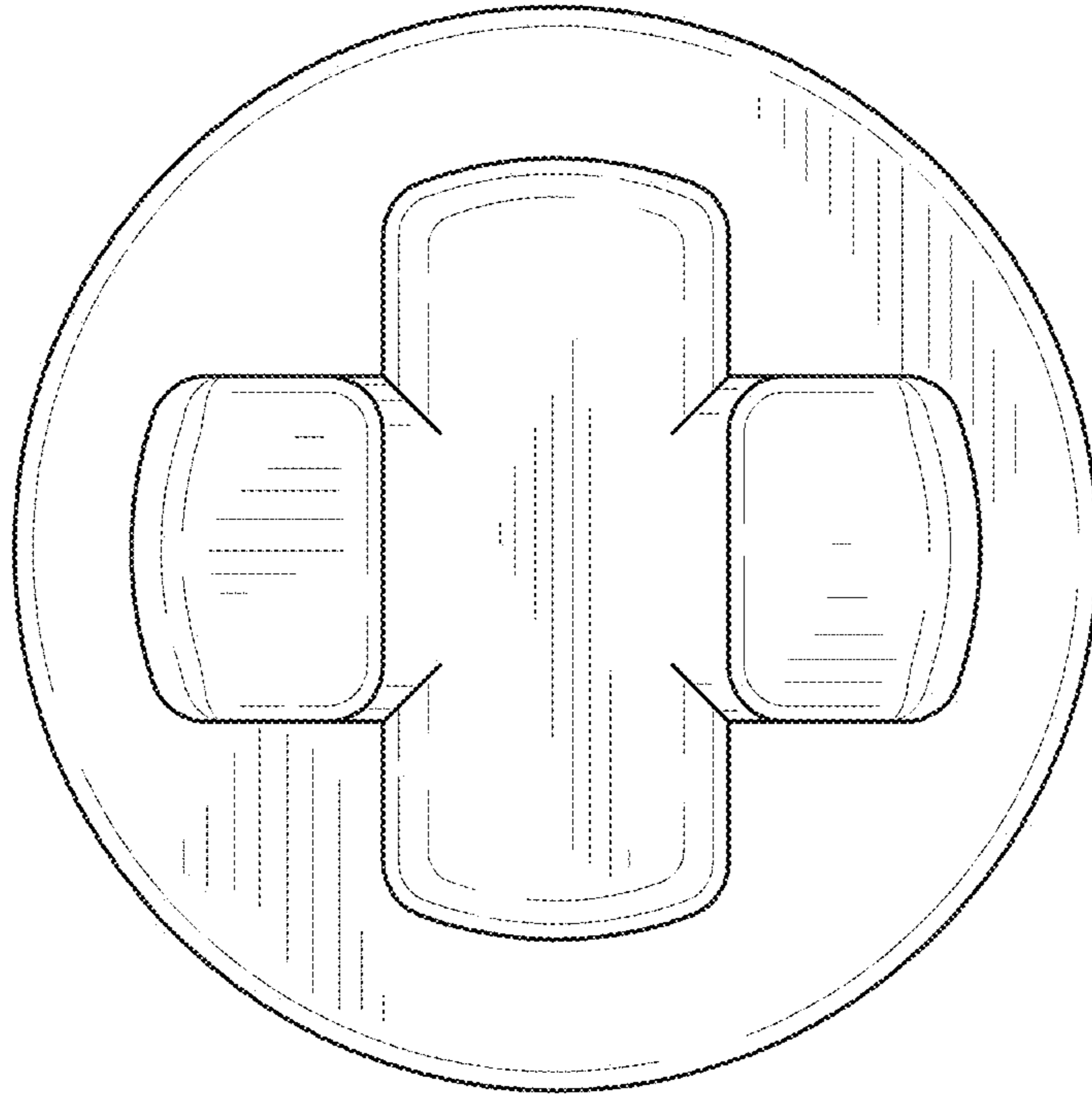


Fig. 5

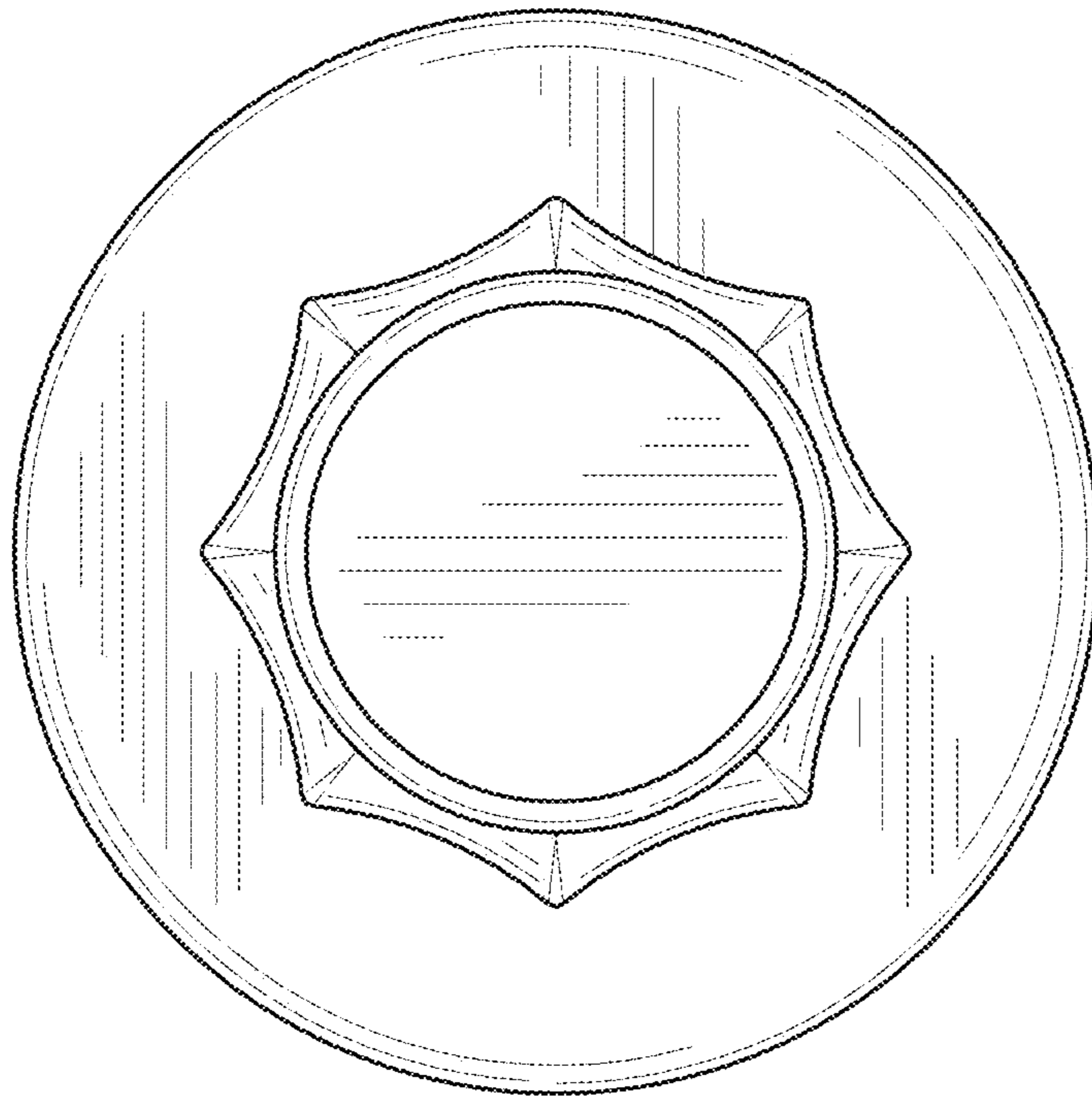


Fig. 6