



US00D937357S

(12) **United States Design Patent**  
**Ju et al.**

(10) **Patent No.:** **US D937,357 S**

(45) **Date of Patent:** **\*\* Nov. 30, 2021**

(54) **ABDOMINAL EXERCISER FRAME**

(71) Applicant: **HANGZHOU PANTHER SPORTING GOODS CO., LTD**, Hangzhou (CN)

(72) Inventors: **Liuwei Ju**, Hangzhou (CN); **Xiaoqiang Lu**, Quzhou (CN)

(73) Assignee: **HANGZHOU PANTHER SPORTING GOODS CO., LTD**, Hangzhou (CN)

(\*\*) Term: **15 Years**

(21) Appl. No.: **29/718,661**

(22) Filed: **Dec. 27, 2019**

(30) **Foreign Application Priority Data**

Jul. 10, 2019 (CN) ..... 201930365130.9

(51) **LOC (13) Cl.** ..... **21-02**

(52) **U.S. Cl.**  
USPC ..... **D21/457**

(58) **Field of Classification Search**  
USPC ..... D21/455-457, 797; D30/160  
CPC ..... A63B 19/00  
See application file for complete search history.

(56) **References Cited**

**U.S. PATENT DOCUMENTS**

D342,294 S \* 12/1993 Kirkland ..... D21/457  
5,997,449 A \* 12/1999 Lee ..... A61H 15/00  
446/236

D442,233 S \* 5/2001 Seo ..... D21/457  
D442,234 S \* 5/2001 Seo ..... D21/457  
D443,002 S \* 5/2001 Seo ..... D21/457  
D445,146 S \* 7/2001 Seo ..... D21/457  
D445,463 S \* 7/2001 Seo ..... D21/457  
D447,192 S \* 8/2001 Kim ..... D21/457  
D450,097 S \* 11/2001 Seo ..... D21/457  
D458,651 S \* 6/2002 Lee ..... D21/457  
D847,910 S \* 5/2019 Yoon ..... D21/457

**OTHER PUBLICATIONS**

“Befit Smart Hula Hoop” Oct. 11, 2016, site visited Jul. 29, 2021:  
<https://www.11st.co.kr/products/1358247853> (Year: 2016).\*

\* cited by examiner

*Primary Examiner* — Michael C Stout

*Assistant Examiner* — Melvin L Davis

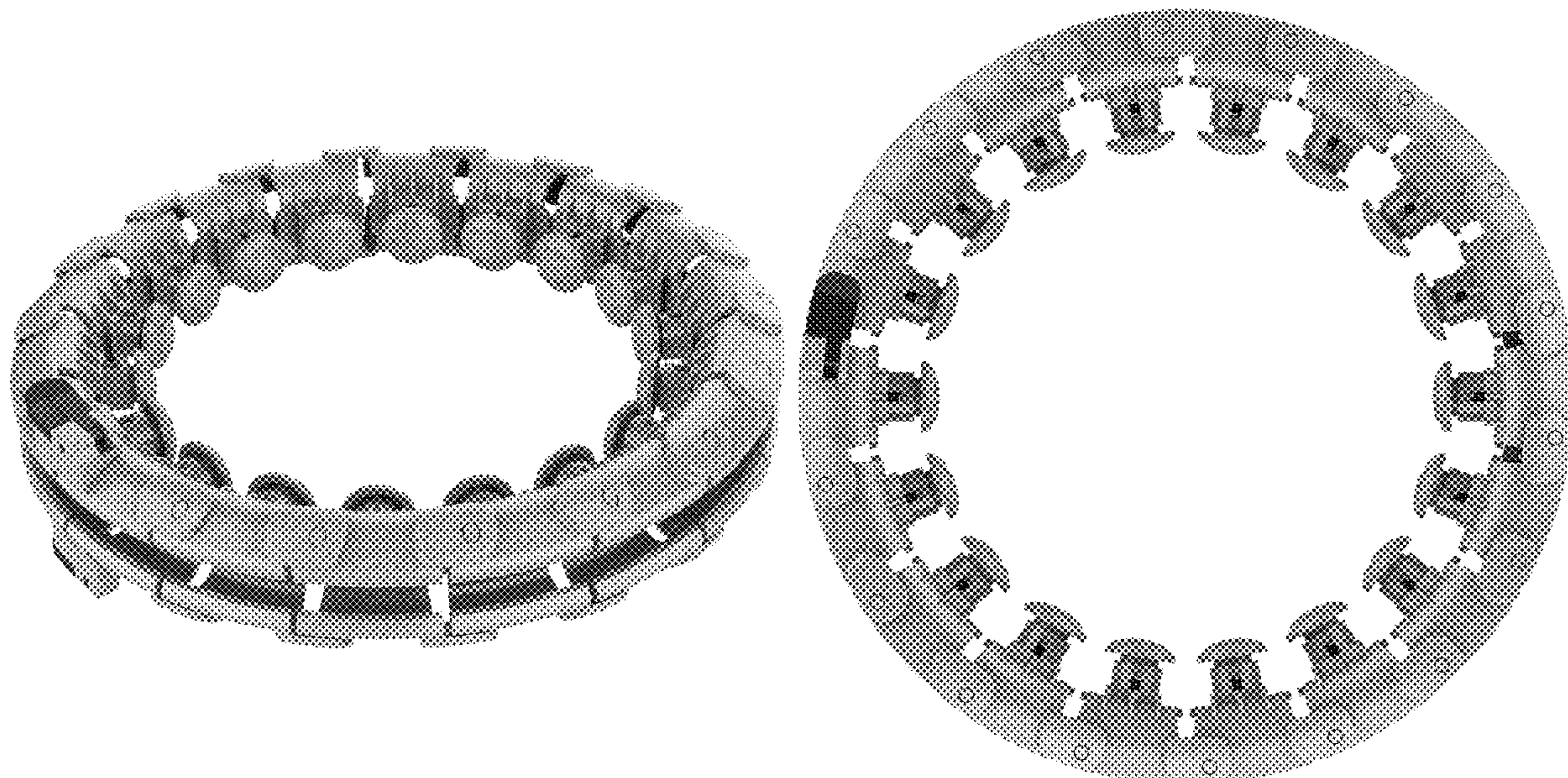
(57) **CLAIM**

The ornamental design for an abdominal exerciser frame, as shown and described.

**DESCRIPTION**

FIG. 1 is a perspective view of an abdominal exerciser frame showing my our new design;  
FIG. 2 is a front elevational view thereof;  
FIG. 3 is a rear elevational view thereof;  
FIG. 4 is a left side elevational view thereof;  
FIG. 5 is a right side elevational view thereof;  
FIG. 6 is a top plan view thereof; and,  
FIG. 7 is a bottom plan view thereof.

**1 Claim, 7 Drawing Sheets**





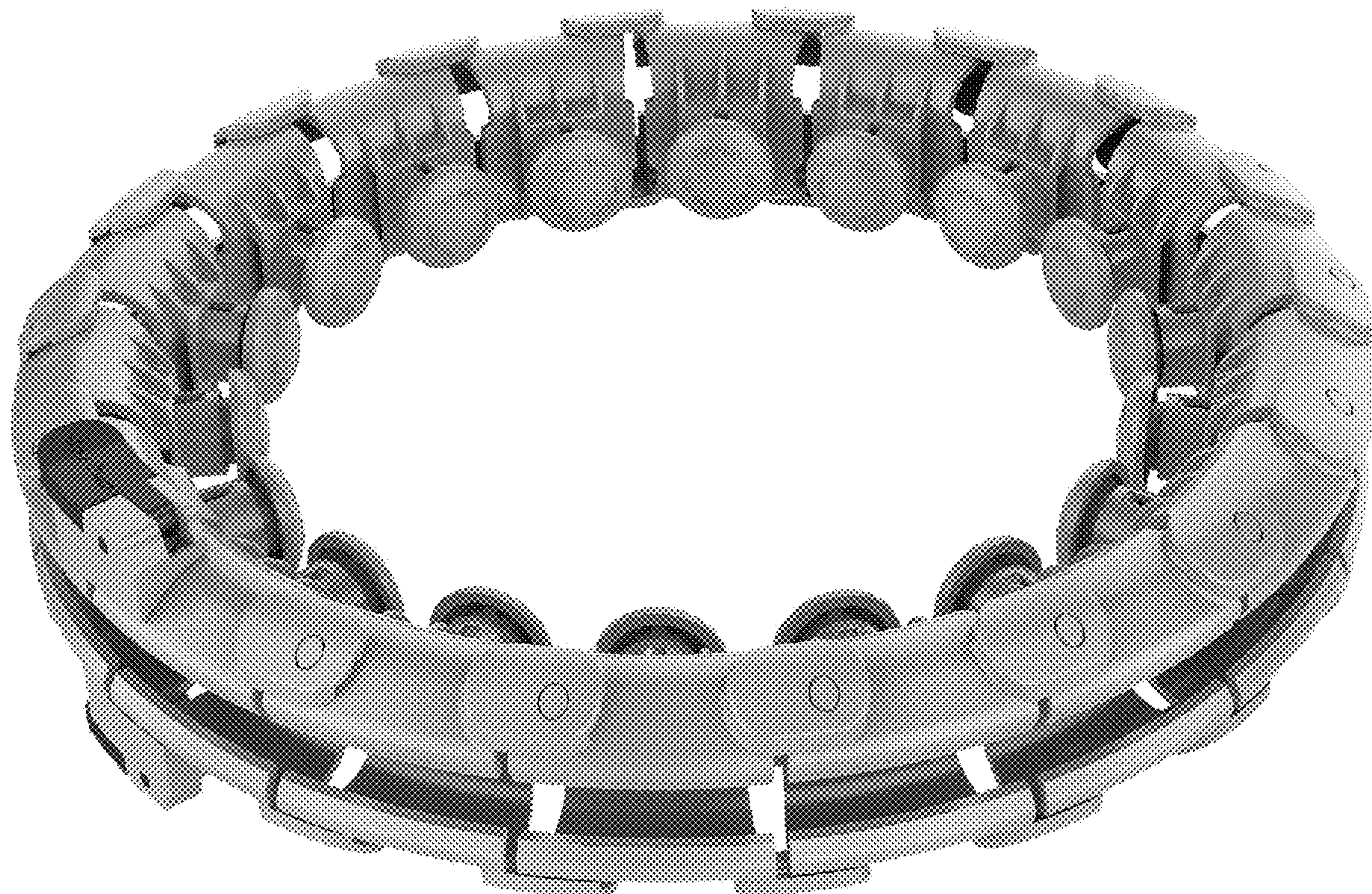


FIG. 1



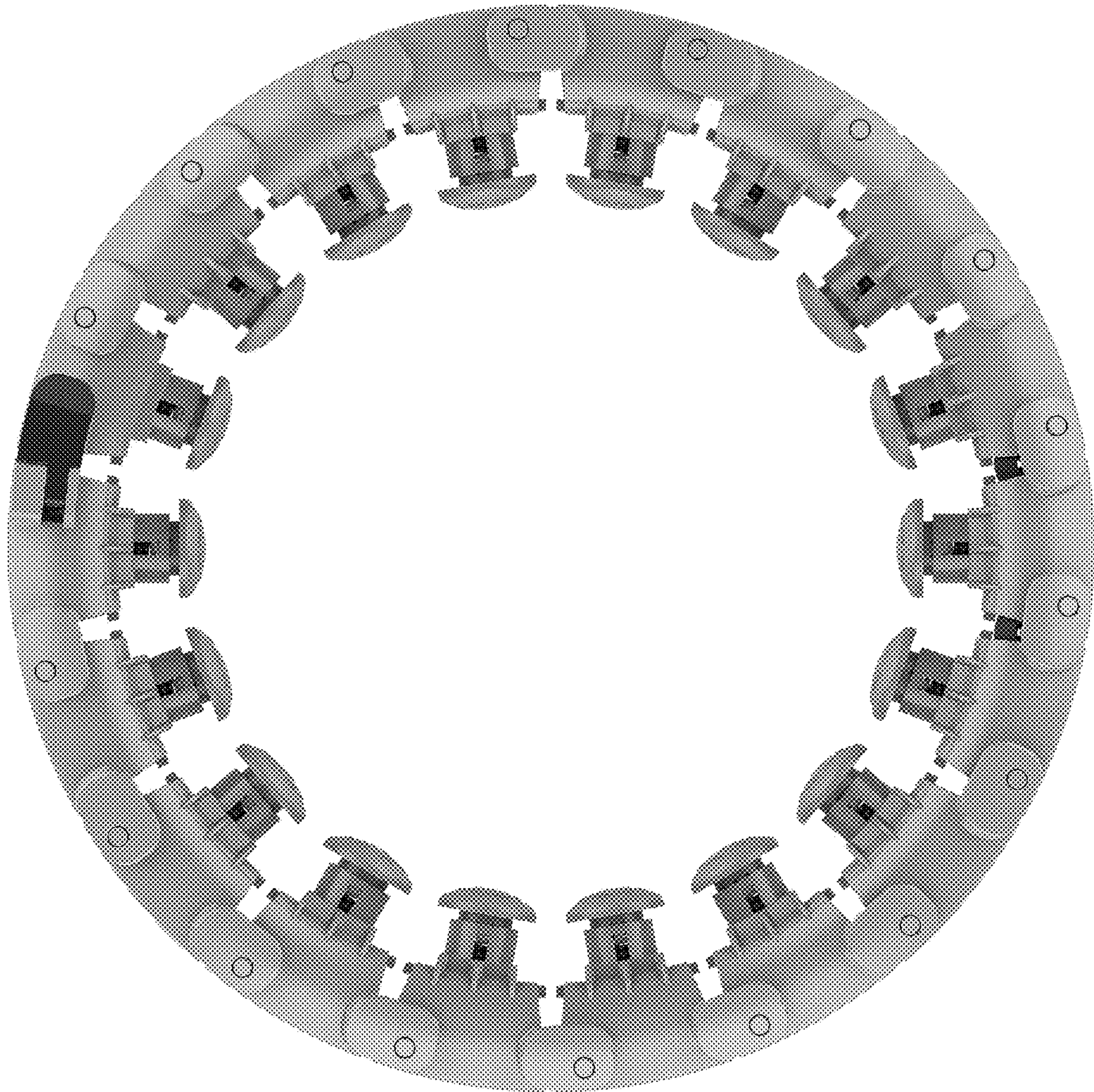


FIG. 2



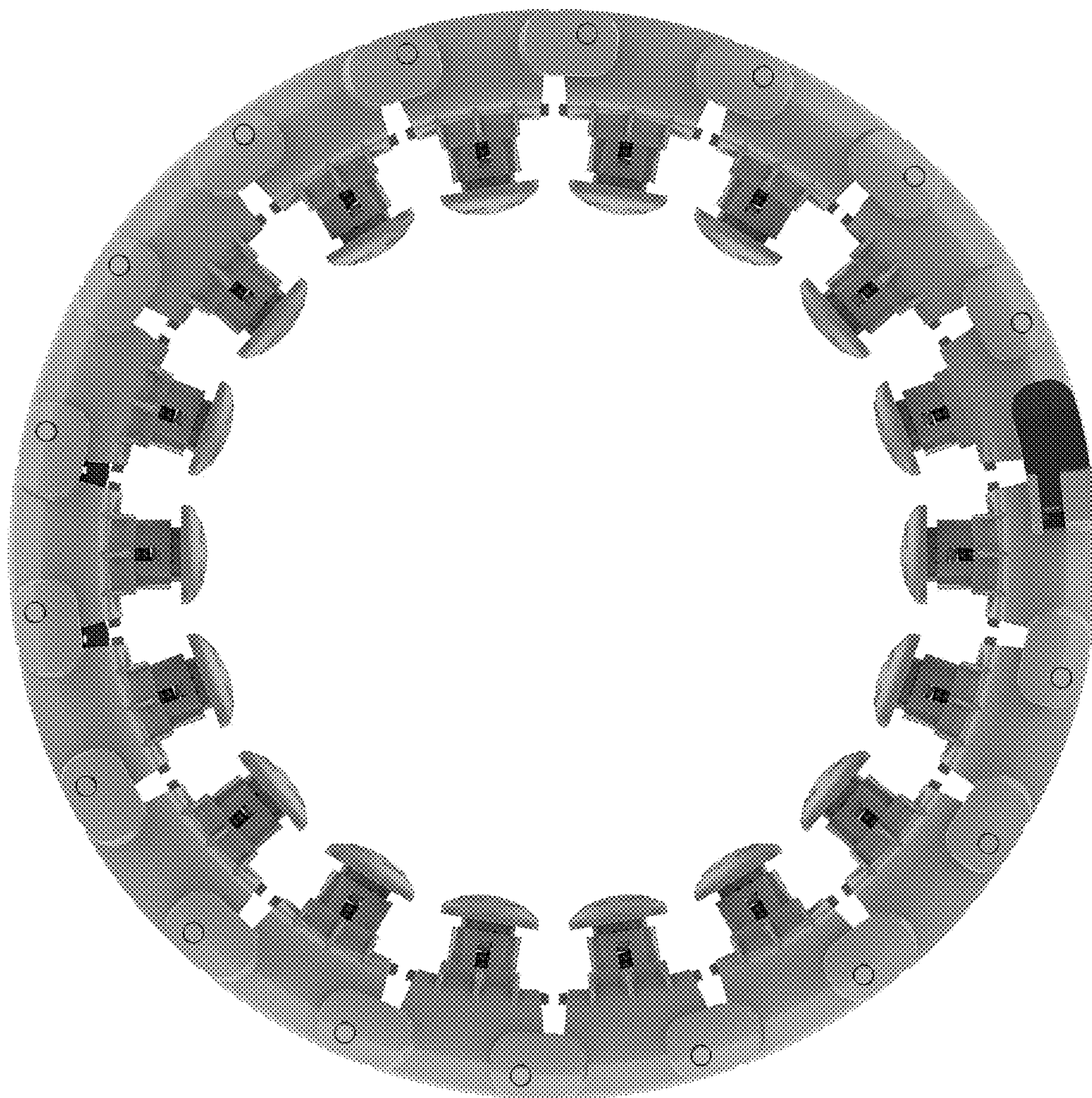


FIG. 3



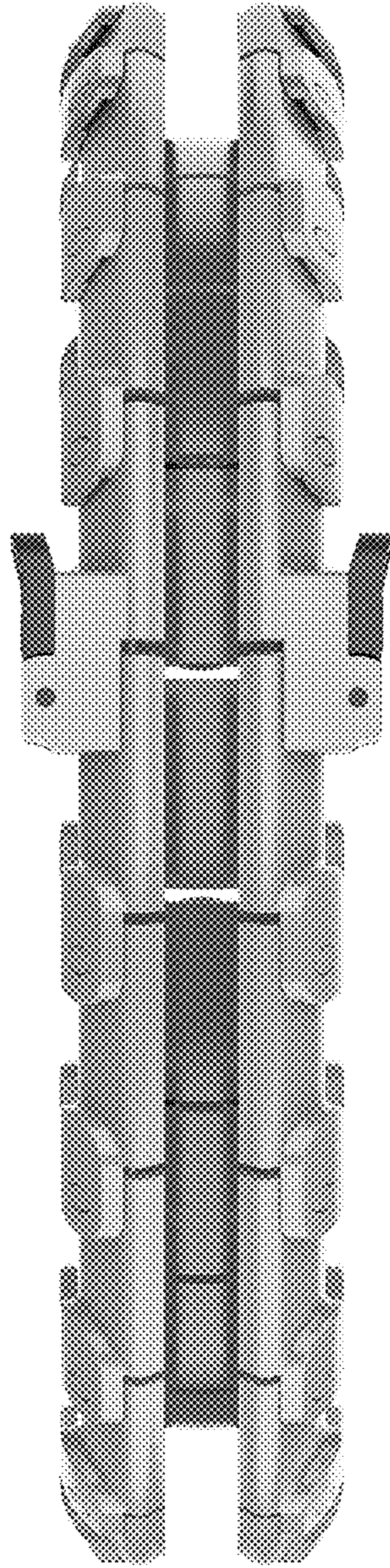


FIG. 4

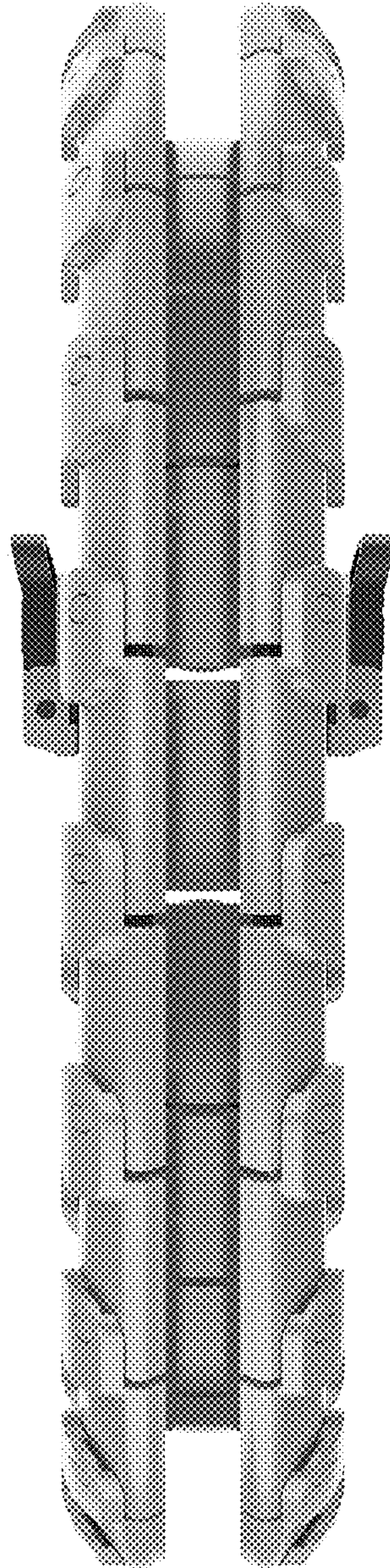


FIG. 5



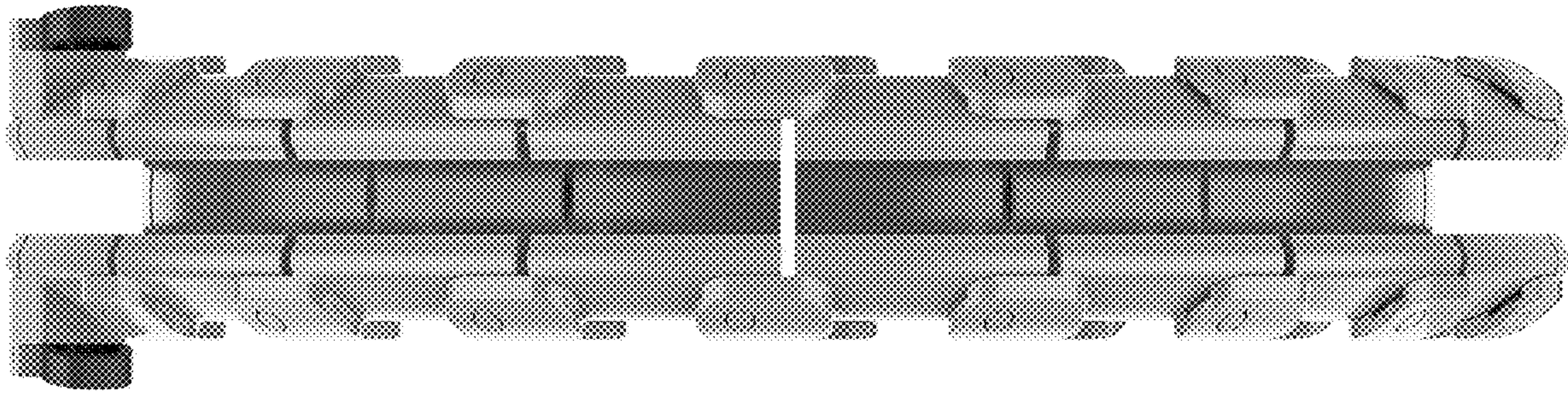


FIG. 6

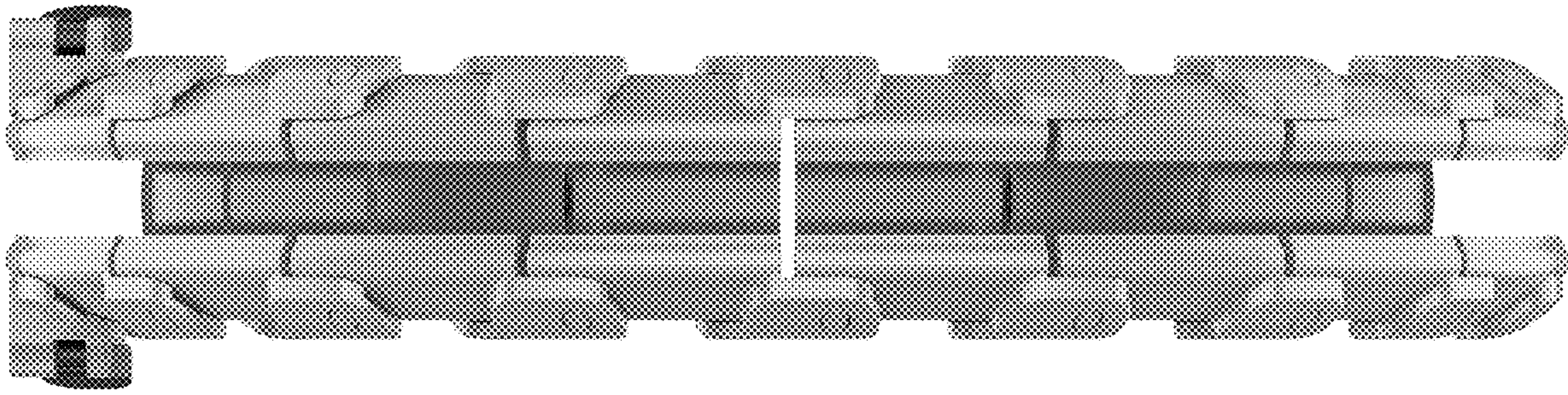


FIG. 7