



US00D937356S

(12) **United States Design Patent** (10) **Patent No.:** **US D937,356 S**  
**Xu** (45) **Date of Patent:** **\*\* Nov. 30, 2021**

(54) **SCOOTER**

(71) Applicant: **YONG KANG AIJIU INDUSTRIAL & TRADE CO., LTD**, Yongkang (CN)

(72) Inventor: **Lijun Xu**, Yongkang (CN)

(73) Assignee: **YONG KANG AIJIU INDUSTRIAL & TRADE CO., LTD**, Yongkang (CN)

(\*\*) Term: **15 Years**

(21) Appl. No.: **29/765,443**

(22) Filed: **Jan. 8, 2021**

(30) **Foreign Application Priority Data**

Dec. 31, 2020 (EM) ..... 008375752

(51) **LOC (13) Cl.** ..... **21-01**

(52) **U.S. Cl.**  
USPC ..... **D21/423**

(58) **Field of Classification Search**  
USPC ..... D21/419, 421, 423, 432, 760, 763, 765,  
D21/771; D12/1, 110  
CPC ..... B62K 3/002; B62K 15/00; B62K 21/16;  
B62M 1/00; B62M 1/36  
See application file for complete search history.

(56) **References Cited**

**U.S. PATENT DOCUMENTS**

6,173,976 B1 \* 1/2001 Lee ..... B62K 3/002  
280/87.041  
8,490,985 B2 \* 7/2013 Landau ..... B62K 15/00  
280/87.041  
D692,963 S \* 11/2013 Radtke ..... D21/423  
D693,414 S \* 11/2013 Hadley ..... D21/423  
D717,881 S \* 11/2014 Radtke ..... D21/423  
D736,324 S \* 8/2015 Lu ..... D21/423  
9,284,008 B2 \* 3/2016 Wu ..... B62K 3/002  
9,580,139 B2 \* 2/2017 Hsu ..... B62M 6/40  
D829,826 S \* 10/2018 Liu ..... D21/423

D830,468 S \* 10/2018 Liu ..... D21/423  
D834,097 S \* 11/2018 Lin ..... D21/423  
D841,097 S \* 2/2019 Zeng ..... D21/423  
10,214,262 B2 \* 2/2019 Grolleau ..... B62K 3/002  
D849,151 S \* 5/2019 Avena ..... D21/423  
D849,152 S 5/2019 Marconi  
D849,153 S \* 5/2019 Zhang ..... D21/423  
D858,647 S \* 9/2019 Liu ..... D21/423  
D860,330 S \* 9/2019 Xu ..... D21/423  
D860,917 S \* 9/2019 Tan ..... D21/423  
D872,191 S \* 1/2020 Lee ..... D21/423  
D872,192 S 1/2020 Hadley

(Continued)

**OTHER PUBLICATIONS**

J. Trew. "Unagi's high-end electric scooter is a mix of design and power." engadget., Nov. 28, 2018 [online], [retrieved on Oct. 12, 2021], Retrieved from the Internet <URL: <https://www.engadget.com/2018-11-28-unagi-electric-scooter.html>>.\*

(Continued)

*Primary Examiner* — Darlington Ly

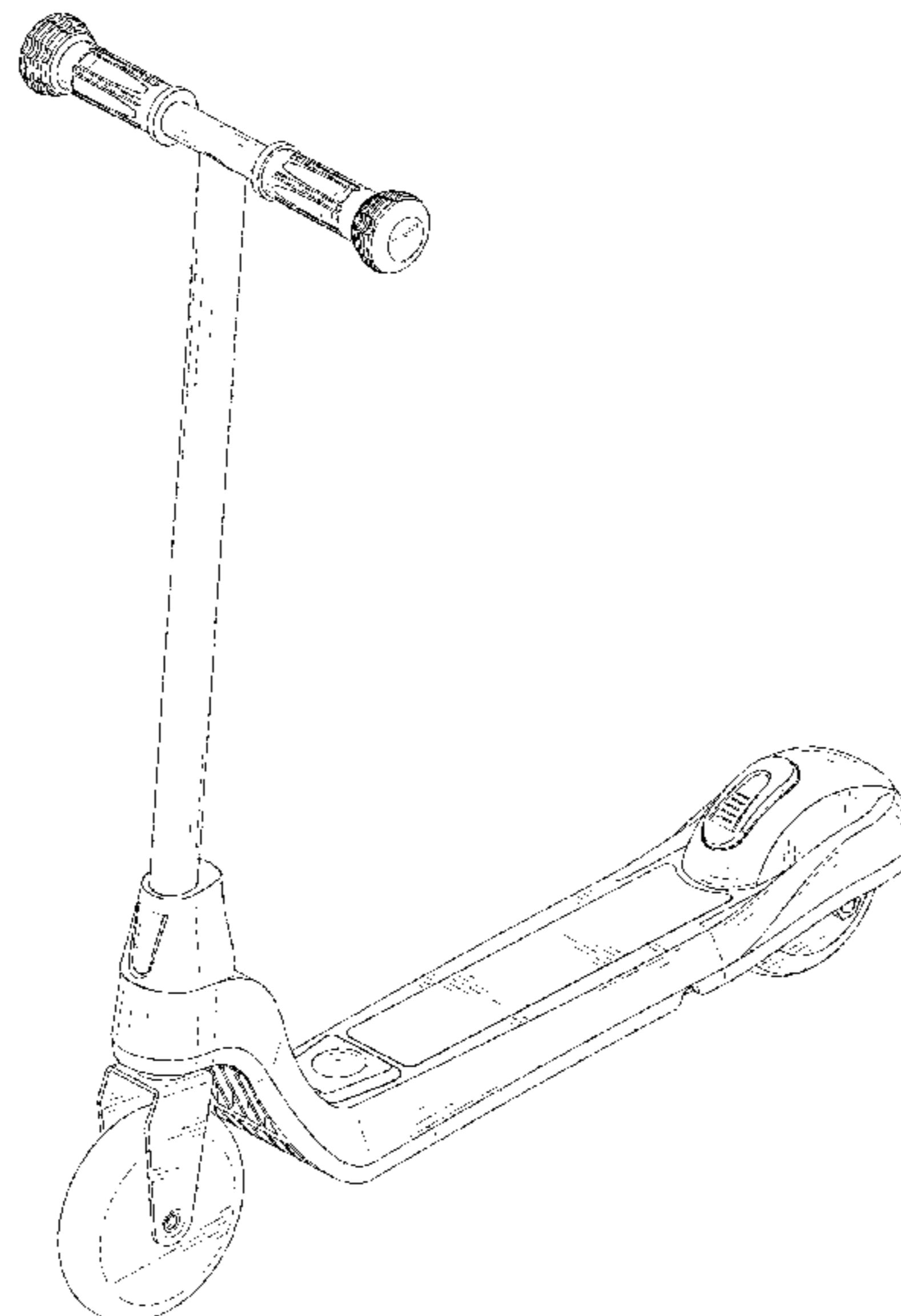
(57) **CLAIM**

The ornamental design for a scooter, as shown and described.

**DESCRIPTION**

FIG. 1 is a perspective view of a scooter showing my new design;  
FIG. 2 is another perspective view thereof;  
FIG. 3 is a front elevational view thereof;  
FIG. 4 is a rear elevational view thereof;  
FIG. 5 is a left side elevational view thereof;  
FIG. 6 is a right side elevational view thereof;  
FIG. 7 is a top plan view thereof; and,  
FIG. 8 is a bottom plan view thereof.  
The broken lines in the drawings depict portions of the scooter that form no part of the claimed design.

**1 Claim, 8 Drawing Sheets**



(56)

**References Cited**

U.S. PATENT DOCUMENTS

D886,907 S \* 6/2020 Gao ..... D21/423  
 D890,852 S \* 7/2020 Yang ..... D21/423  
 D897,445 S \* 9/2020 Im ..... D21/423  
 D897,446 S \* 9/2020 Lee ..... D21/423  
 D899,425 S \* 10/2020 Sauvageot ..... D21/423  
 D900,237 S \* 10/2020 Lee ..... D21/423  
 D903,002 S \* 11/2020 Wang ..... D21/423  
 D912,159 S \* 3/2021 Lee ..... D21/423  
 D912,736 S \* 3/2021 Lee ..... D21/423  
 D917,624 S \* 4/2021 Wu ..... D21/423  
 D917,625 S \* 4/2021 Lee ..... D21/423  
 D917,626 S \* 4/2021 Ye ..... D21/423  
 D918,305 S \* 5/2021 Fan ..... D21/423  
 D918,307 S \* 5/2021 Fan ..... D21/423  
 D919,712 S \* 5/2021 Gao ..... D21/423  
 D921,764 S \* 6/2021 Zhang ..... D21/423  
 D921,765 S \* 6/2021 Ostergaard ..... D21/423

D923,103 S \* 6/2021 Zheng ..... D21/423  
 D923,104 S \* 6/2021 Zheng ..... D21/423  
 D923,714 S \* 6/2021 Shen ..... D21/423  
 11,059,538 B1 \* 7/2021 Youn ..... B62K 3/002  
 D926,890 S \* 8/2021 Lu ..... D21/423  
 D927,604 S \* 8/2021 Han ..... D21/423

OTHER PUBLICATIONS

Sasha Lekach. “Unagi Model Eleven e-scooter warns about stop signs, people in the way.” Mashable., Sep. 23, 2021 [online], [retrieved on Oct. 12, 2021], Retrieved from the Internet <URL: <https://mashable.com/article/unagi-model-eleven-smart-scooter>>.\*  
 Brian. “Best Electric Scooters For Commuting In 2021—Top Picks For Kids & Adults.” Future Sport., Sep. 24, 2021 [online], [retrieved on Oct. 12, 2021], Retrieved from the Internet <URL: <https://futuresport.co/best-electric-scooter-for-commuting/>>.\*

\* cited by examiner

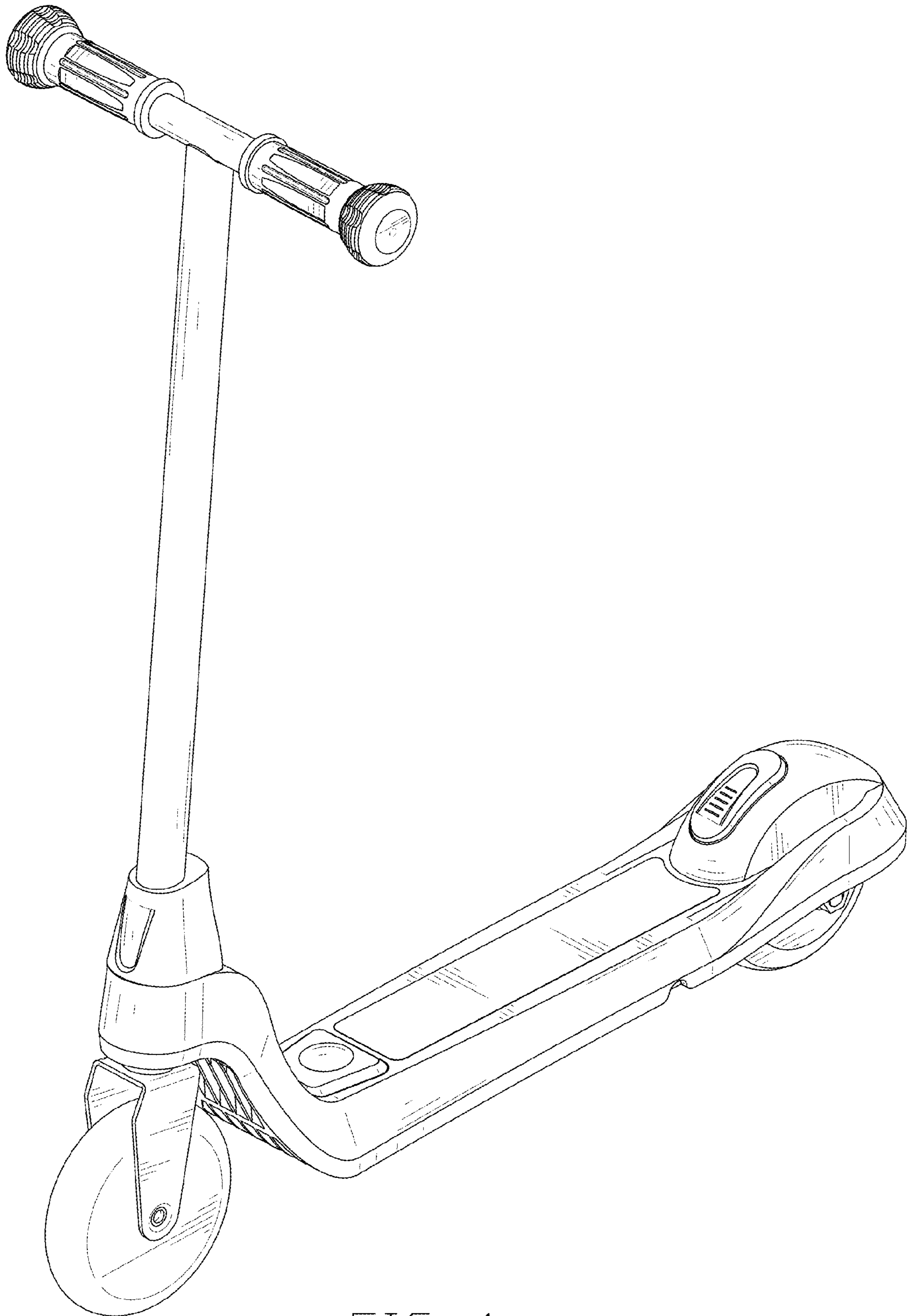


FIG. 1

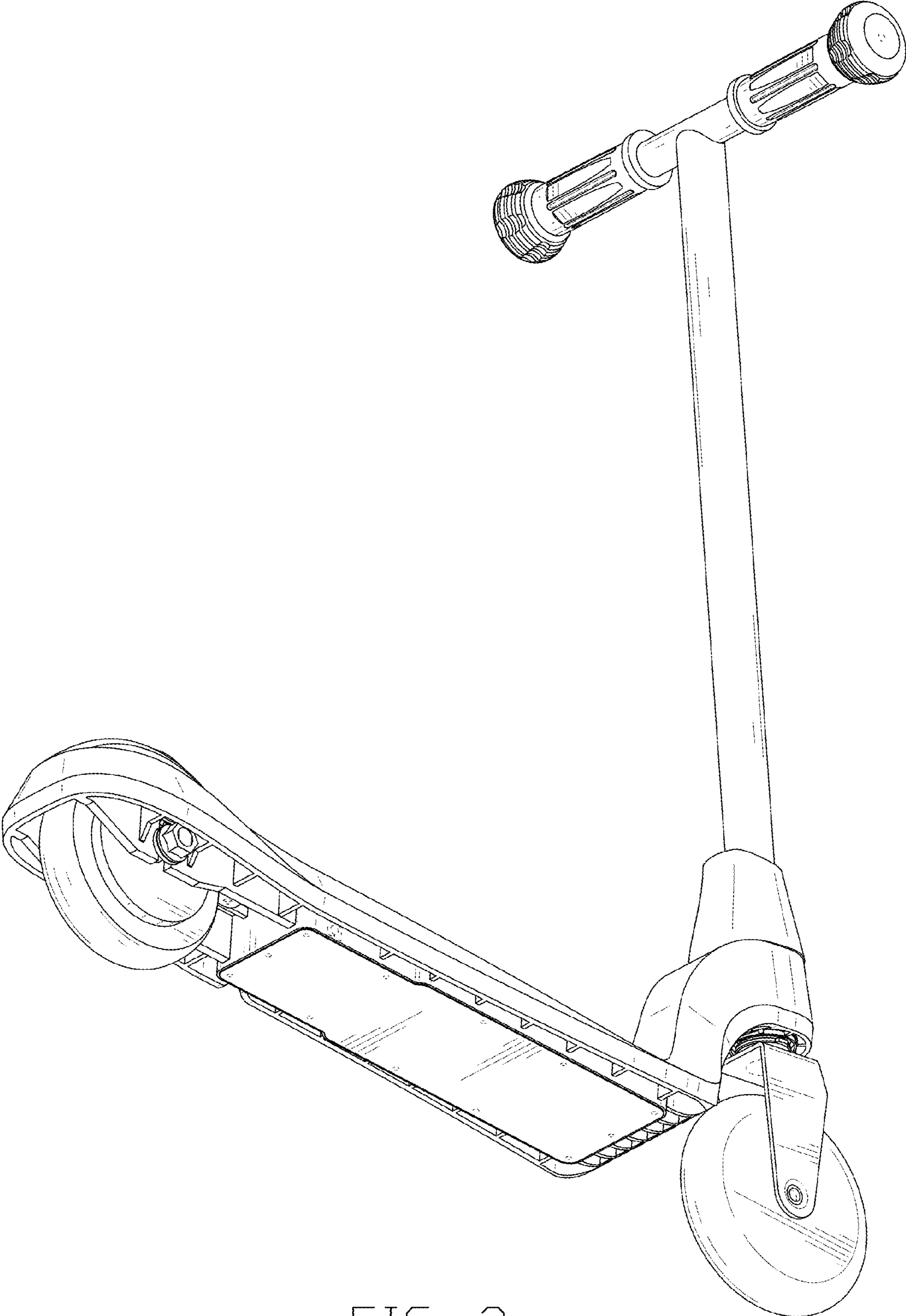


FIG. 2

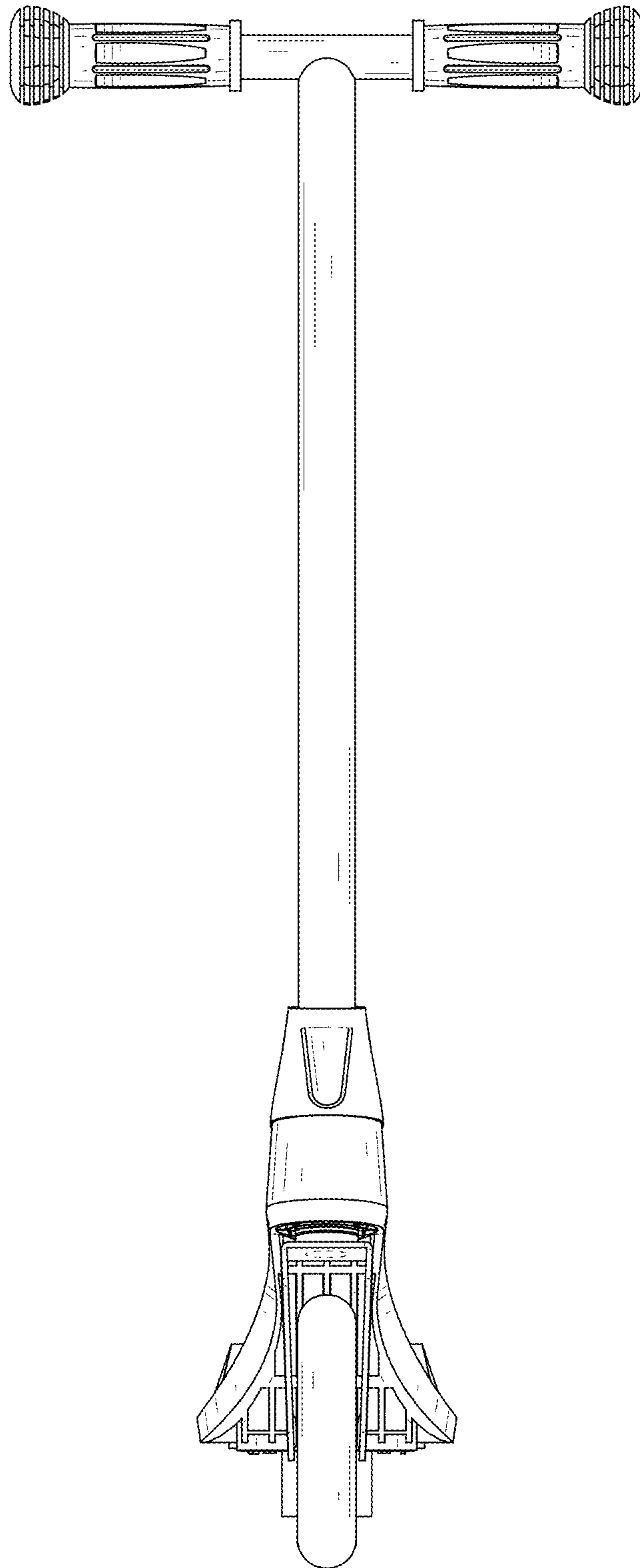


FIG. 3

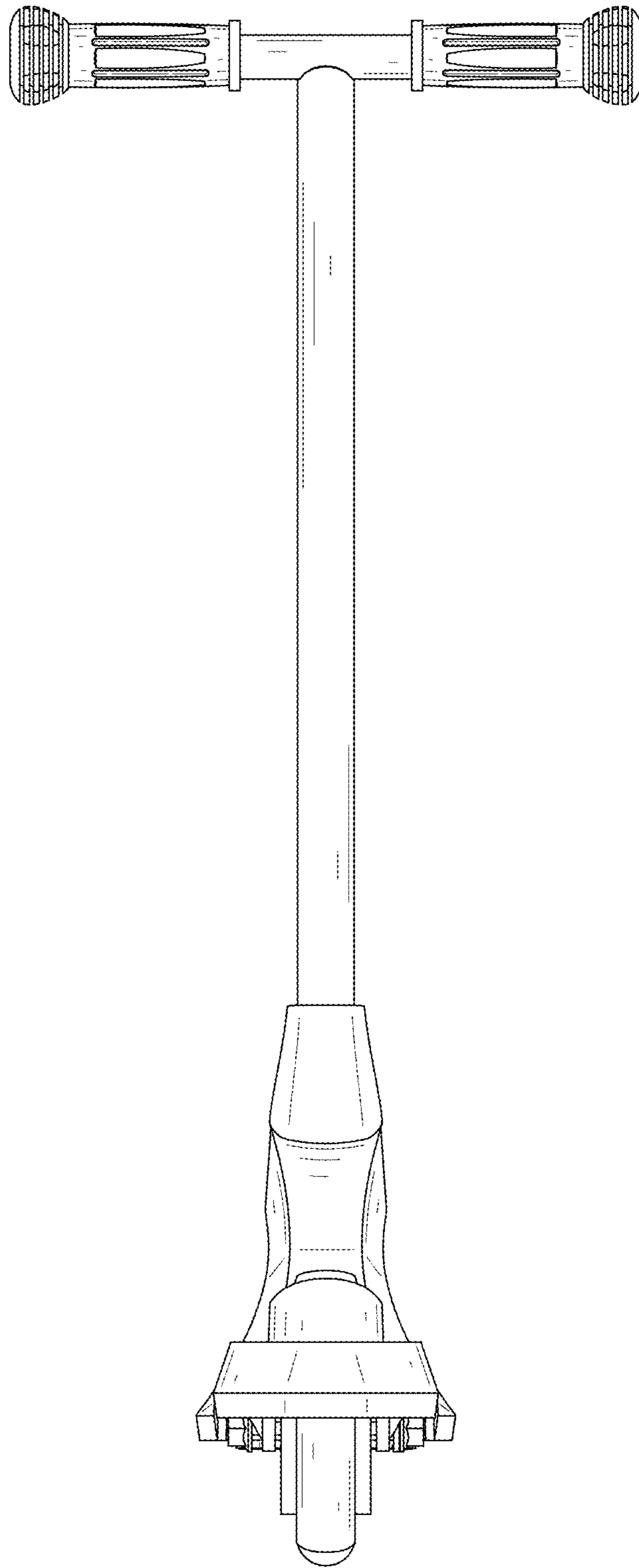


FIG. 4

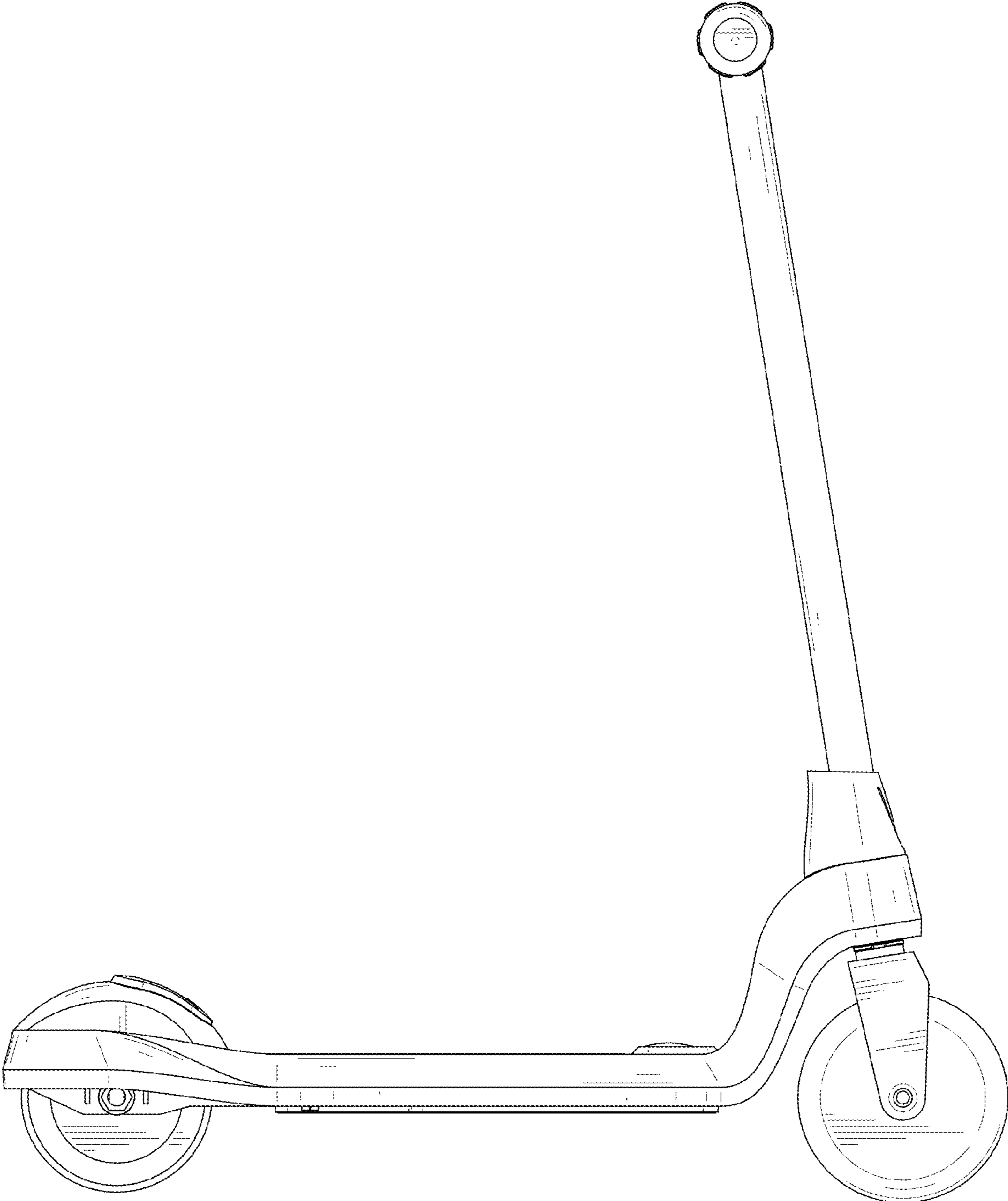


FIG. 5

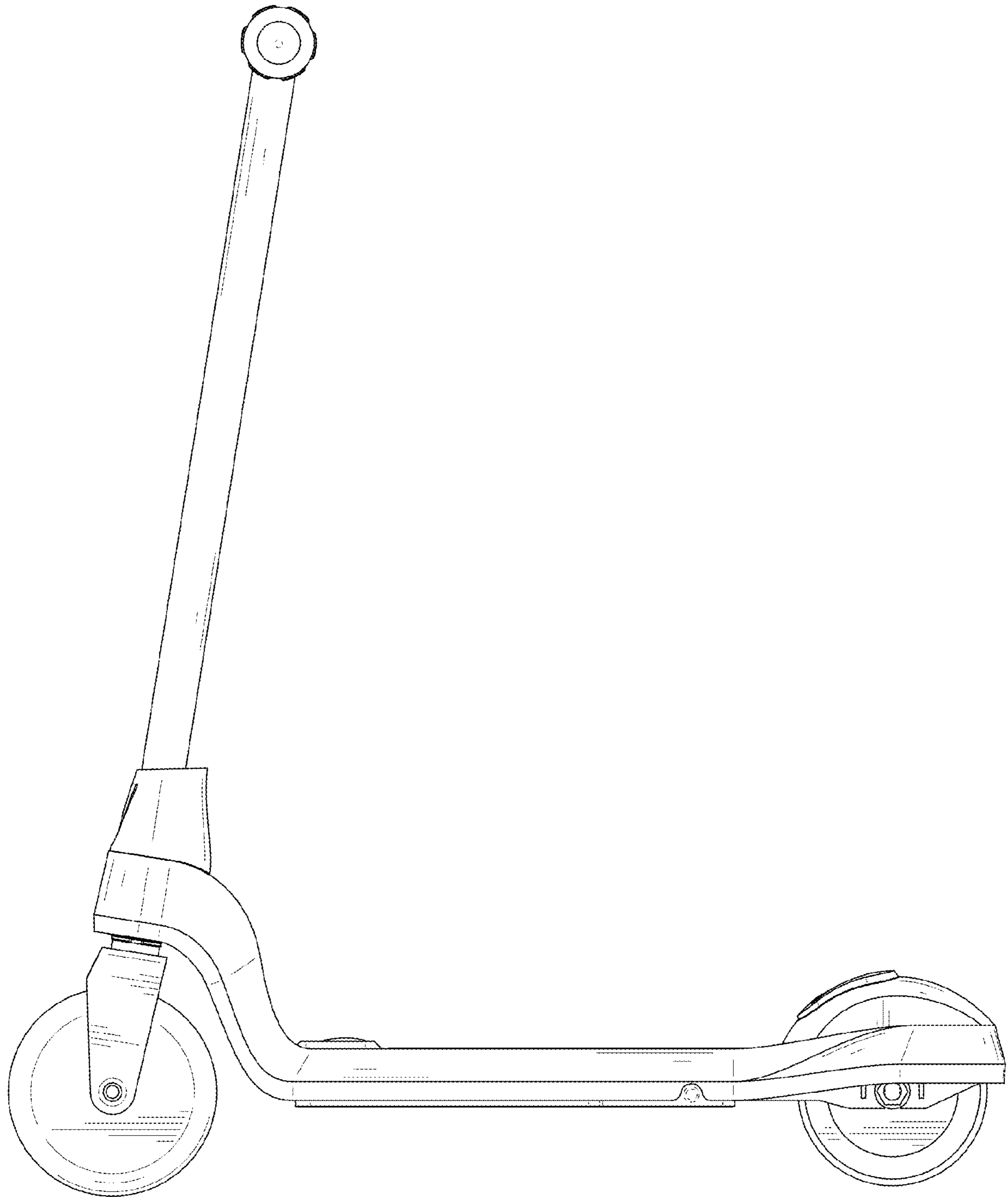


FIG. 6



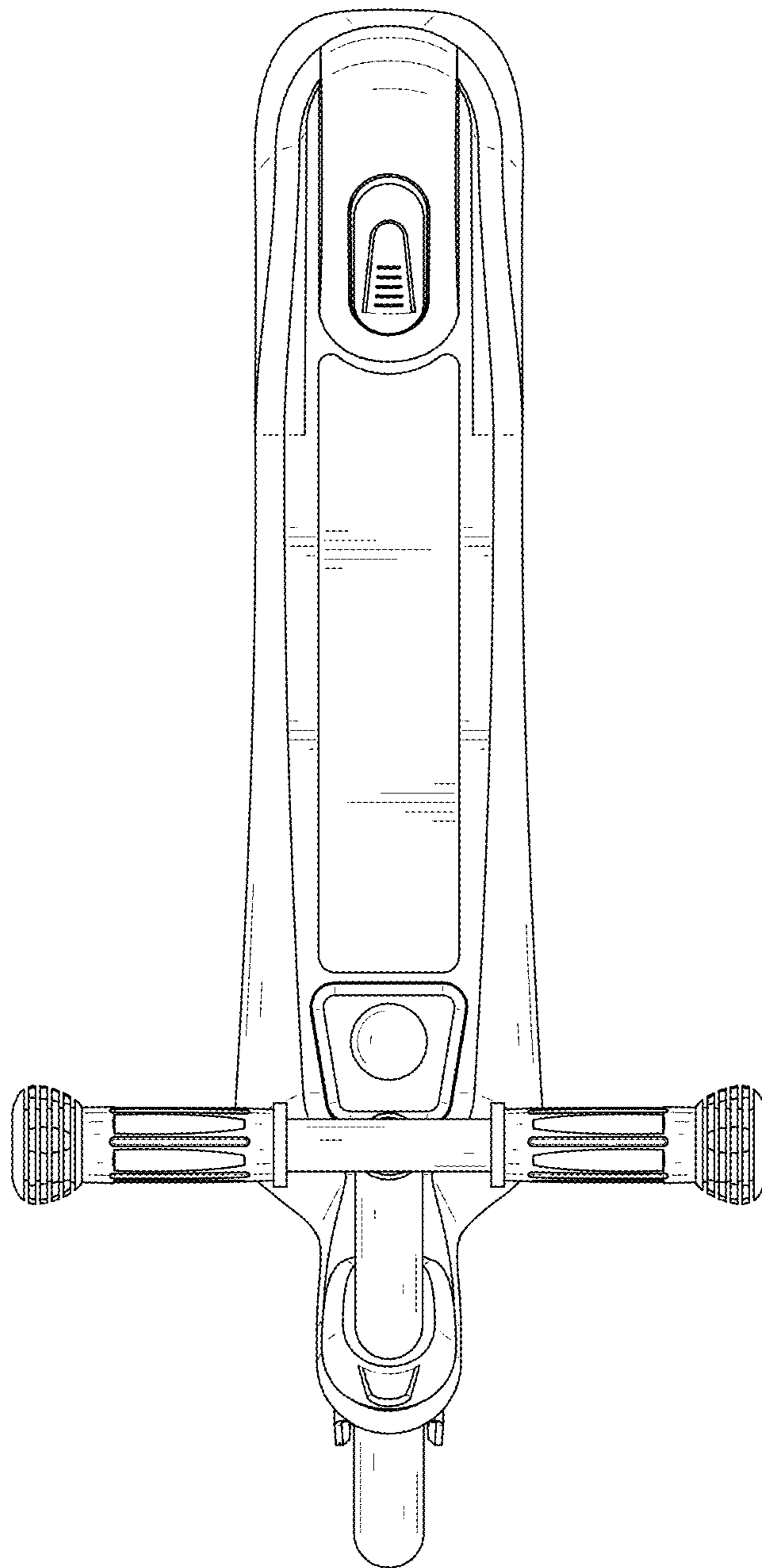


FIG. 7

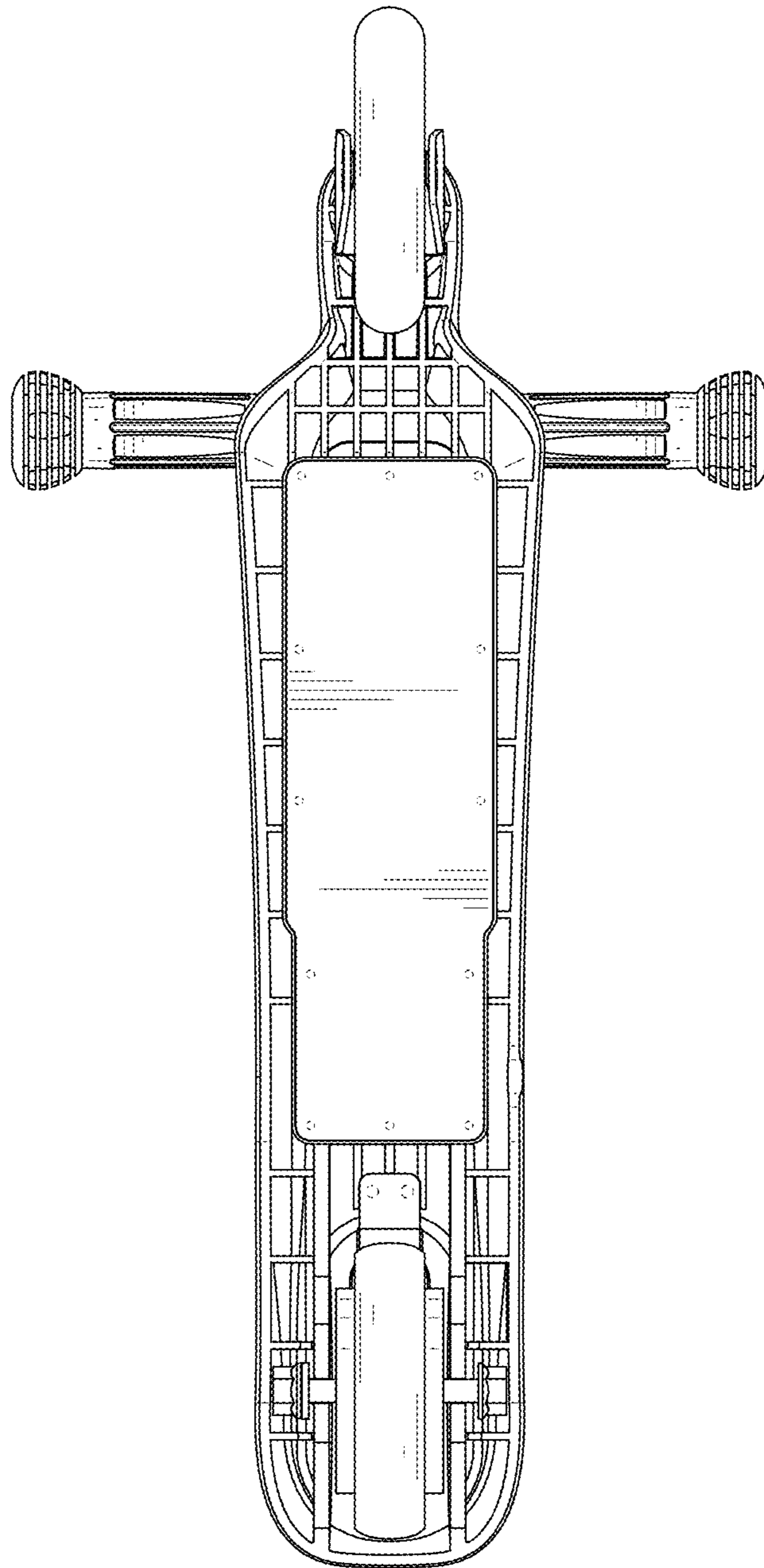


FIG. 8