



US00D937355S

(12) **United States Design Patent** (10) **Patent No.:** **US D937,355 S**  
**Olive et al.** (45) **Date of Patent:** **\*\* Nov. 30, 2021**

(54) **GAMING MACHINE**  
(71) Applicant: **Aristocrat Technologies Australia Pty Limited**, North Ryde (AU)  
(72) Inventors: **Scott Olive**, Brookvale (AU); **Scott Hendrickson**, Las Vegas, NV (US)  
(73) Assignee: **Aristocrat Technologies Australia Pty Limited**  
(\*\*) Term: **15 Years**  
(21) Appl. No.: **29/727,190**  
(22) Filed: **Mar. 9, 2020**

D481,078 S 10/2003 Stephan  
D492,676 S 7/2004 Monson et al.  
D508,269 S 8/2005 Wichinsky  
D508,719 S 8/2005 de Haas  
D513,044 S \* 12/2005 Morrison ..... D21/370  
D546,893 S 7/2007 Yamashita  
D557,348 S 12/2007 Gutknecht et al.  
D586,866 S 2/2009 Hsu  
D596,678 S 7/2009 Myers  
D599,859 S 9/2009 Lesley et al.  
D604,773 S \* 11/2009 De Viveiros Ortiz ..... D21/325  
D612,432 S \* 3/2010 De Viveiros Ortiz ..... D21/325  
D616,039 S 5/2010 Bruzzese et al.  
D619,177 S 7/2010 Lee  
D619,660 S 7/2010 Cole et al.  
D626,182 S 10/2010 Cole et al.  
D626,183 S 10/2010 Cole et al.  
D632,342 S 2/2011 Wen  
8,096,554 B1 1/2012 Kelly et al.  
D673,621 S 1/2013 Johnson et al.

**Related U.S. Application Data**

(62) Division of application No. 29/617,845, filed on Sep. 15, 2017, now Pat. No. Des. 880,604.  
(51) **LOC (13) Cl.** ..... **21-02**  
(52) **U.S. Cl.**  
USPC ..... **D21/369**  
(58) **Field of Classification Search**  
USPC ..... D21/369, 307, 325, 370, 306, 385, 333;  
D14/341; 463/20, 23  
CPC ..... G07F 17/34; G07F 17/32; G07F 17/3267;  
G07F 17/3211; G07F 17/3213; G07F  
17/3202; G07F 17/3227; A63F 9/24  
See application file for complete search history.

(Continued)  
*Primary Examiner* — Ryan Harvey  
(74) *Attorney, Agent, or Firm* — McAndrews, Held & Malloy, Ltd.

(57) **CLAIM**

The ornamental design for a gaming machine, as shown and described.

**DESCRIPTION**

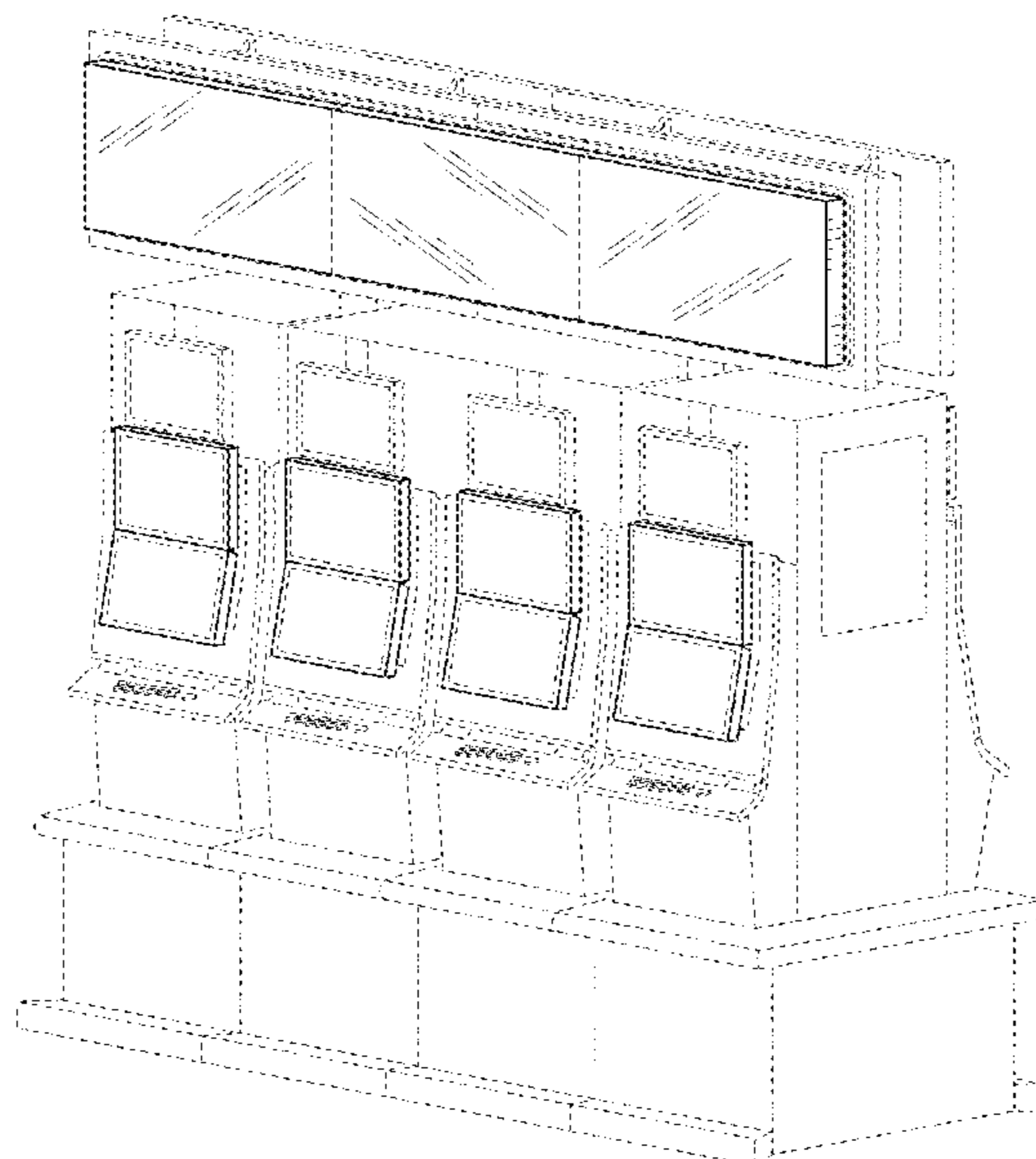
FIG. 1 is a front perspective view of a gaming machine showing our new design;  
FIG. 2 is a front elevation view thereof;  
FIG. 3 is a rear elevation view thereof;  
FIG. 4 is a right side elevation view thereof;  
FIG. 5 is a left side elevation view thereof;  
FIG. 6 is a top plan view thereof; and,  
FIG. 7 is a bottom plan view thereof.  
The broken lines in the drawings illustrate portions of the gaming machine that form no part of the claimed design.

(56) **References Cited**

**U.S. PATENT DOCUMENTS**

D271,200 S 11/1983 Kawasaki et al.  
D275,117 S 8/1984 Heywood  
D278,069 S \* 3/1985 Wichinsky ..... D21/370  
5,823,874 A 10/1998 Adams  
D415,124 S \* 10/1999 Rooyakkers ..... D14/306  
D428,864 S 8/2000 Rooyakkers et al.  
D443,313 S 6/2001 Brettschneider

**1 Claim, 7 Drawing Sheets**



(56)

References Cited

U.S. PATENT DOCUMENTS

D685,435 S 7/2013 Hohman et al.  
 D695,733 S \* 12/2013 Damhuis ..... D14/307  
 D697,558 S 1/2014 Myers et al.  
 D705,872 S 5/2014 Ortiz  
 8,753,202 B2 6/2014 Apirian et al.  
 D708,676 S 7/2014 Ballman et al.  
 D720,710 S 1/2015 Aarrestad et al.  
 D721,767 S 1/2015 Ferrazoli  
 D740,888 S 10/2015 DePalma et al.  
 D743,363 S 11/2015 Yokota  
 D752,573 S 3/2016 Ballman et al.  
 D760,846 S 7/2016 Castro et al.  
 D776,666 S 1/2017 Karlsson et al.  
 9,659,434 B2 5/2017 Bainbridge et al.  
 9,679,435 B2 6/2017 Schrementi et al.  
 9,747,754 B2 8/2017 Carpenter et al.  
 D803,323 S 11/2017 Bussey et al.  
 D803,324 S 11/2017 Bussey et al.  
 D809,068 S 1/2018 Ballman et al.  
 D809,069 S 1/2018 Ballman et al.  
 D818,048 S 5/2018 Calhoun et al.  
 D832,358 S 10/2018 Castro et al.  
 D833,534 S 11/2018 Lee et al.  
 D836,164 S 12/2018 Castro et al.  
 D843,464 S 3/2019 Castro et al.  
 D843,465 S 3/2019 Castro et al.  
 D843,466 S 3/2019 Castro et al.  
 D846,649 S 4/2019 Schoonmaker et al.  
 10,297,103 B2 5/2019 Hornik et al.  
 10,354,494 B2 7/2019 Hartl  
 10,424,149 B1 \* 9/2019 Halvorson ..... G07F 17/3213  
 D865,066 S \* 10/2019 Ortiz De Viveiros ..... D21/369  
 D868,165 S \* 11/2019 Ortiz De Viveiros ..... D21/369  
 D870,818 S \* 12/2019 Curbun ..... D21/369  
 10,506,730 B2 \* 12/2019 Wand ..... H05K 5/0234  
 D880,604 S \* 4/2020 Olive ..... D21/369  
 D888,159 S \* 6/2020 Schoonmaker ..... D21/369  
 D889,553 S \* 7/2020 Glenn, II ..... D21/369  
 D890,849 S \* 7/2020 Johnson ..... D21/369  
 D897,438 S \* 9/2020 Olive ..... D21/333  
 D907,127 S \* 1/2021 Olive ..... D21/385

D907,710 S \* 1/2021 DeMarco ..... D21/369  
 D907,712 S \* 1/2021 DeMarco ..... D21/369  
 D907,716 S \* 1/2021 DeMarco ..... D21/369  
 D910,117 S \* 2/2021 DeMarco ..... D21/369  
 D910,118 S \* 2/2021 DeMarco ..... D21/369  
 D910,120 S \* 2/2021 DeMarco ..... D21/369  
 D910,763 S \* 2/2021 DeMarco ..... D21/369  
 D914,808 S \* 3/2021 Loong ..... D21/370  
 10,943,428 B2 \* 3/2021 Ambrecht ..... G07F 17/3216  
 D918,303 S \* 5/2021 DeMarco ..... D21/369  
 2005/0014547 A1 1/2005 Gomez et al.  
 2009/0253500 A1 10/2009 Nagano  
 2009/0253514 A1 10/2009 Nagano  
 2010/0124973 A1 5/2010 DeWaal et al.  
 2012/0083331 A1 4/2012 Carpenter et al.  
 2015/0262449 A1 \* 9/2015 Meyer ..... G07F 17/326  
 463/20  
 2015/0310699 A1 \* 10/2015 Meyer ..... G07F 17/34  
 463/20  
 2016/0180656 A1 \* 6/2016 Loose ..... G07F 17/3241  
 463/20  
 2017/0358171 A1 \* 12/2017 Akita ..... G07F 17/3213  
 2018/0047248 A1 \* 2/2018 Mizue ..... G07F 17/3225  
 2018/0190068 A1 \* 7/2018 Priddy ..... G07F 17/3216  
 2018/0225930 A1 \* 8/2018 Efremescu ..... G07F 17/3213  
 2019/0019370 A1 \* 1/2019 Ono ..... G07F 17/3211  
 2019/0096169 A1 3/2019 Tovar et al.  
 2019/0096170 A1 \* 3/2019 Lewis ..... G07F 17/3216  
 2019/0096173 A1 \* 3/2019 Brandau ..... G07F 17/3241  
 2019/0102971 A1 4/2019 Schoonmaker et al.  
 2019/0102983 A1 4/2019 Gallagher et al.  
 2019/0287337 A1 9/2019 Shiraishi  
 2019/0295377 A1 \* 9/2019 Suda ..... G07F 17/3267  
 2019/0311570 A1 \* 10/2019 Lamb ..... G07F 17/34  
 2019/0347896 A1 \* 11/2019 Beria ..... G07F 17/3255  
 2020/0111291 A1 \* 4/2020 Pariseau ..... G07F 17/3213  
 2020/0111296 A1 \* 4/2020 Miura ..... G07F 17/34  
 2020/0111328 A1 \* 4/2020 Bland ..... G07F 17/3213  
 2021/0035402 A1 \* 2/2021 Rye ..... G07F 17/34  
 2021/0110635 A1 \* 4/2021 Yost ..... G07F 17/34  
 2021/0110642 A1 \* 4/2021 Ocampo ..... G07F 17/3216  
 2021/0110658 A1 \* 4/2021 Nauman ..... G07F 17/34  
 2021/0209893 A1 \* 7/2021 Rye ..... G07F 17/3241

\* cited by examiner

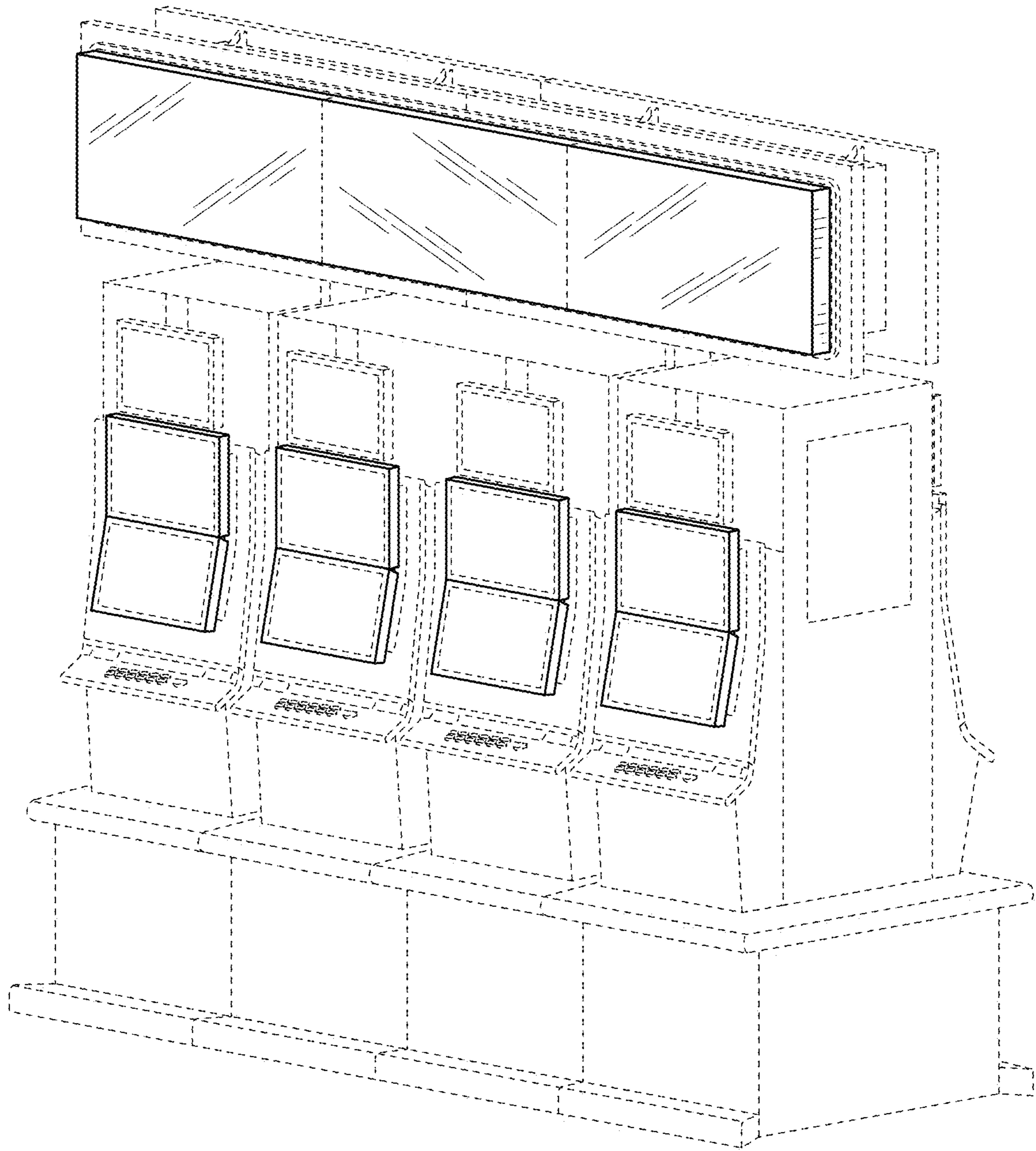


FIG. 1

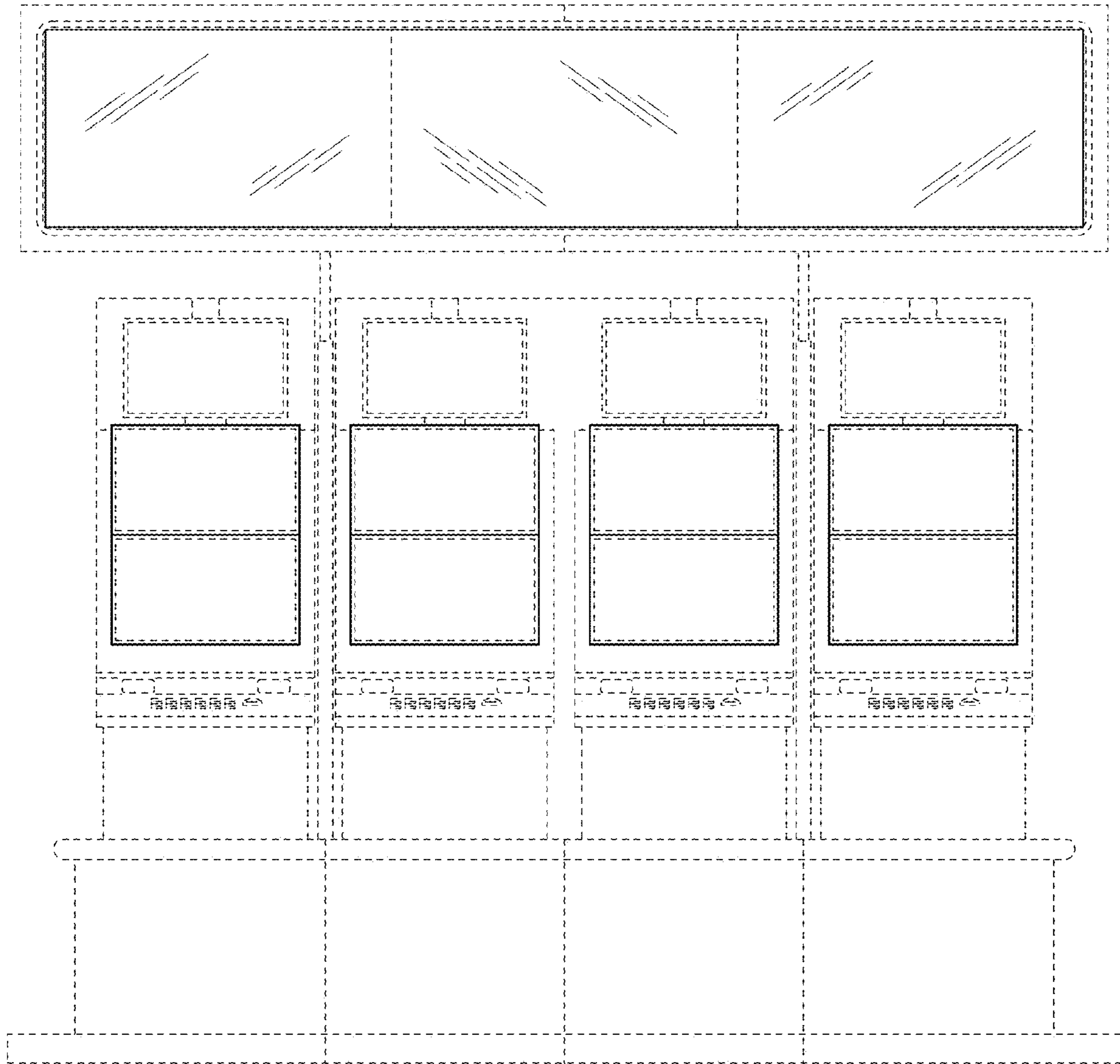


FIG. 2

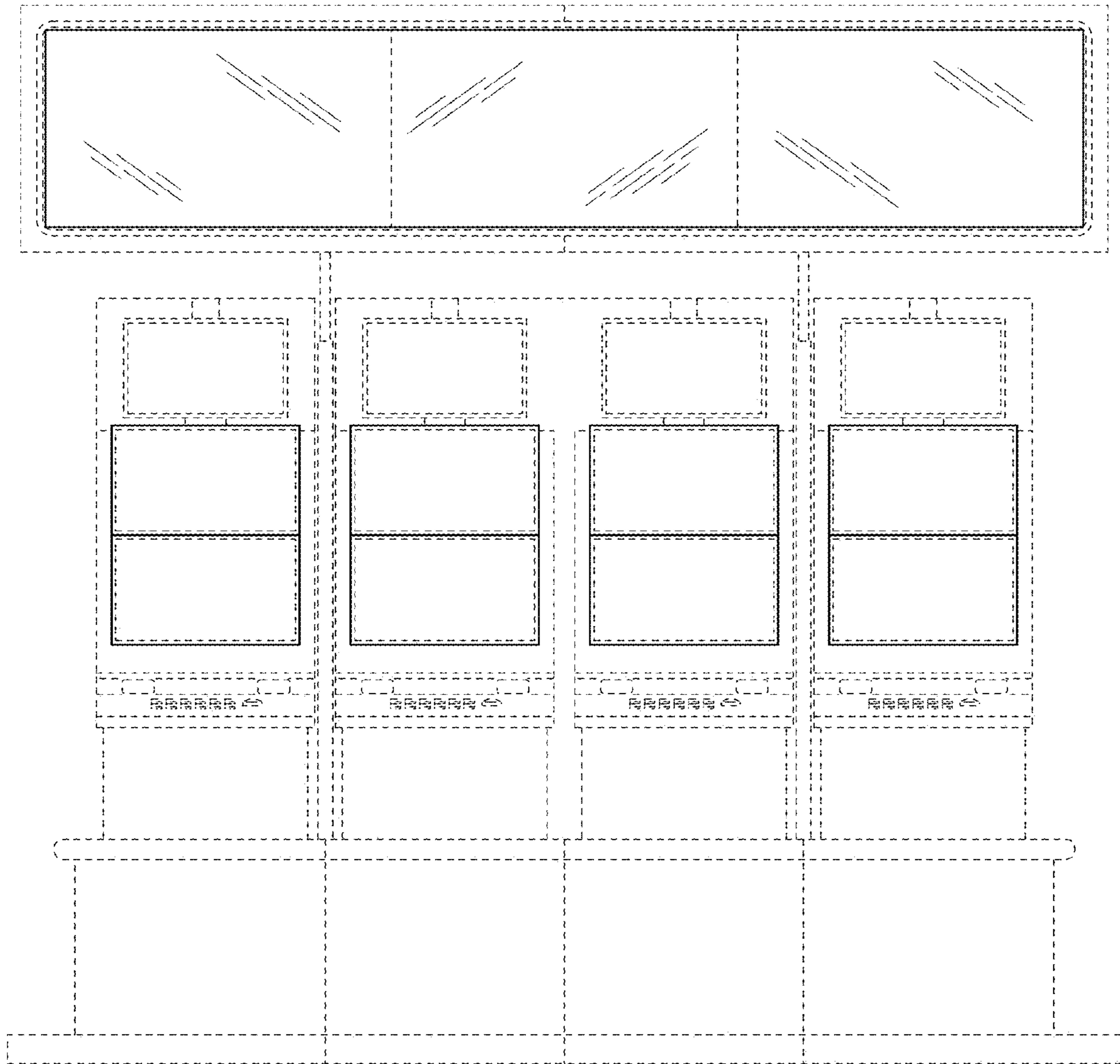


FIG. 3

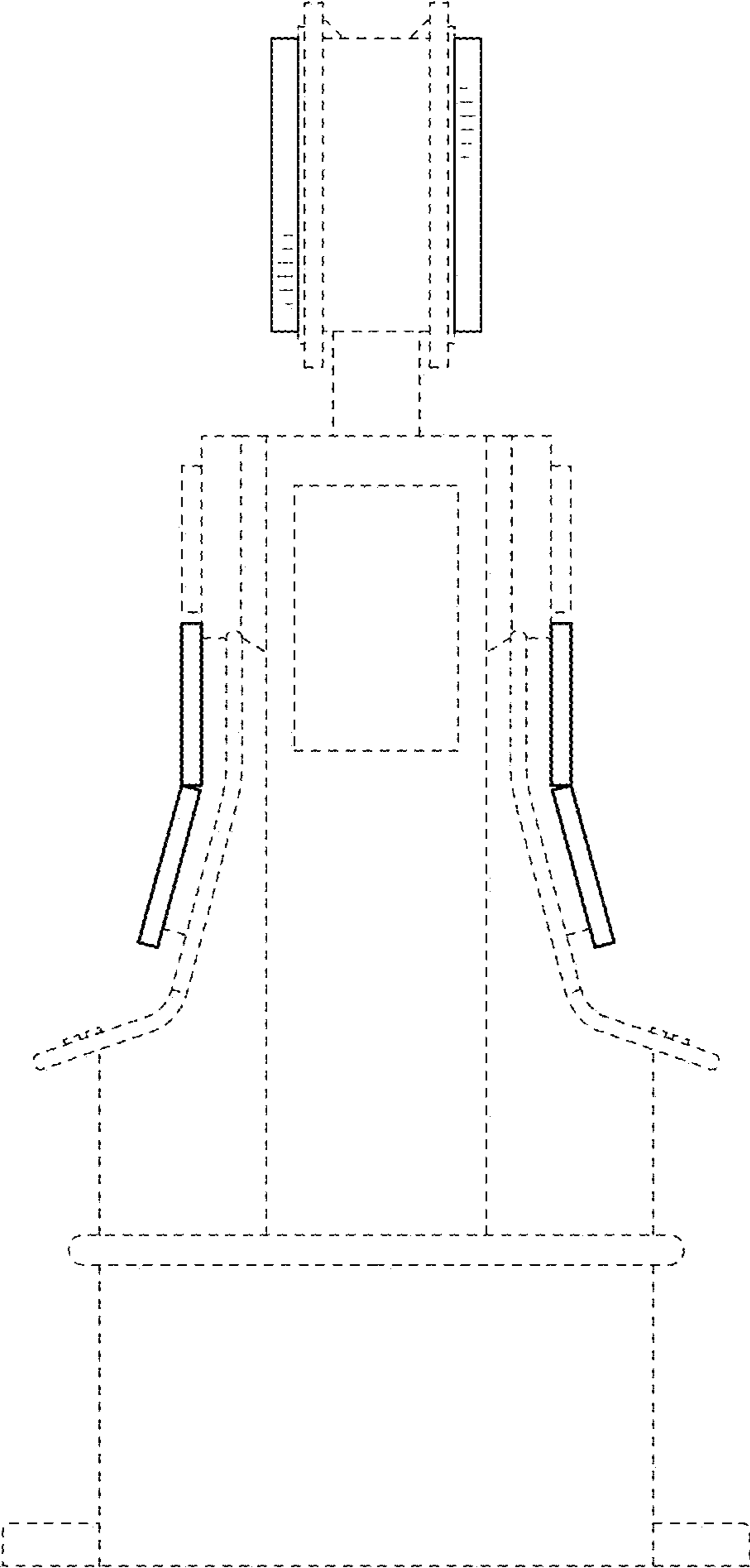


FIG. 4

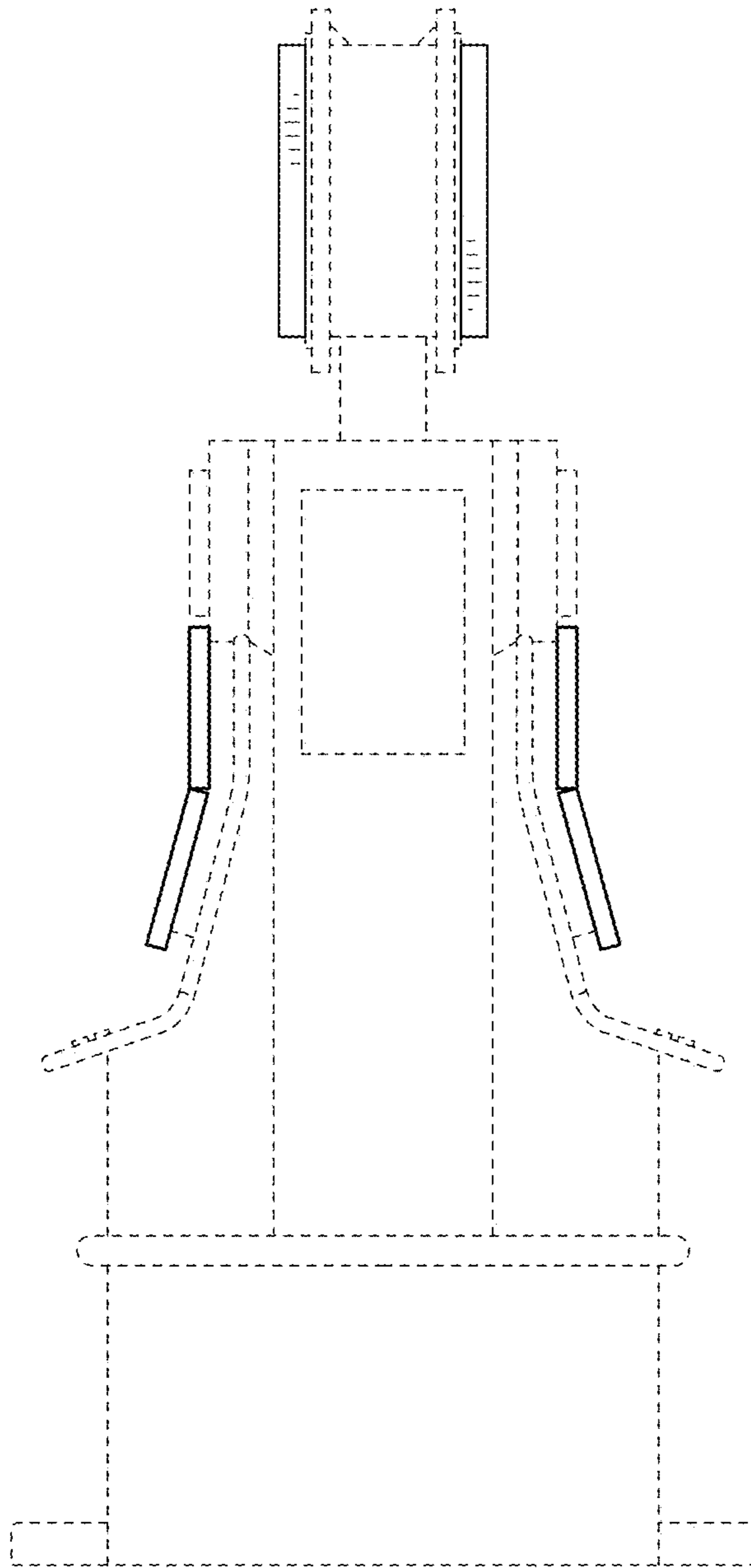


FIG. 5

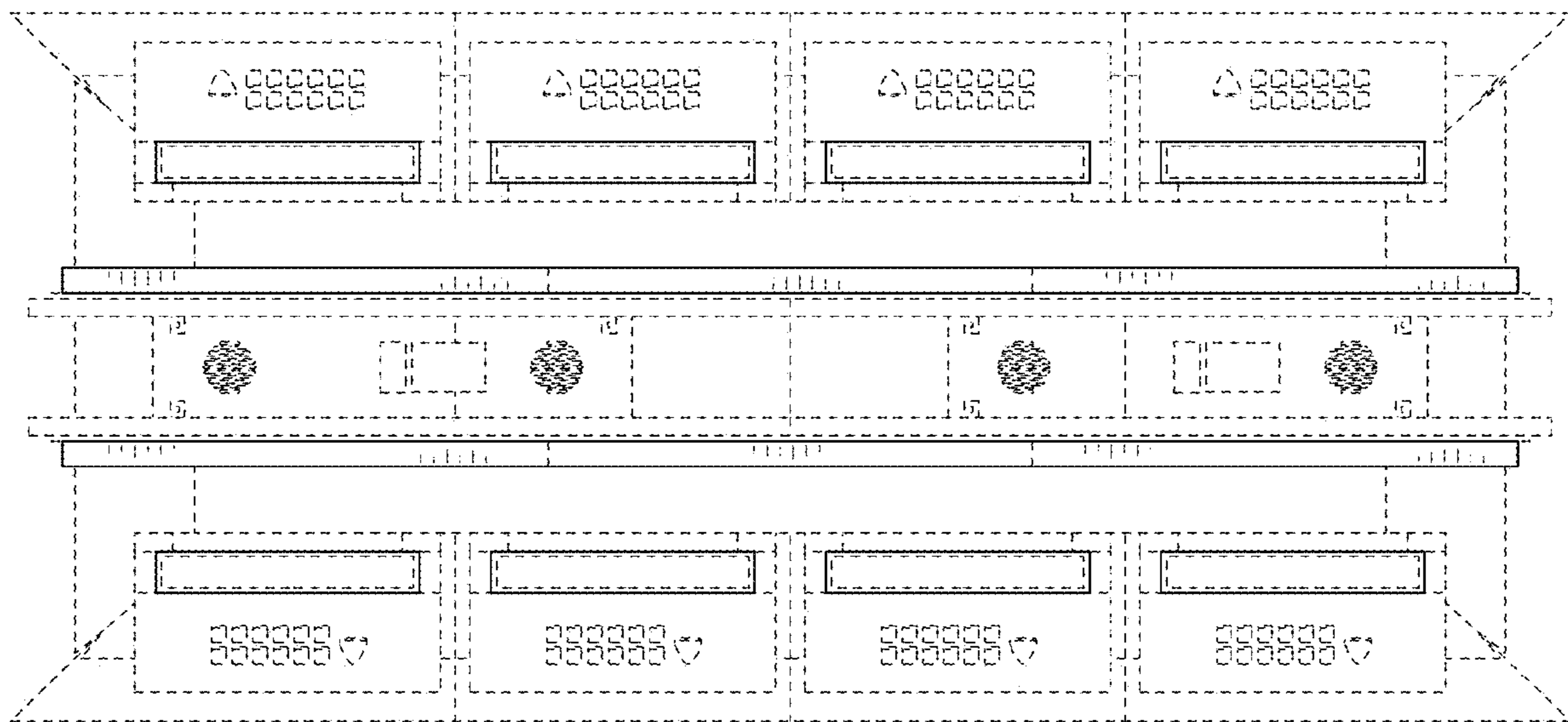


FIG. 6





FIG. 7