



US00D937354S

(12) **United States Design Patent**
Glenn, II et al.

(10) **Patent No.:** **US D937,354 S**

(45) **Date of Patent:** **** Nov. 30, 2021**

(54) **GAMING MACHINE**

(71) Applicant: **BALLY GAMING, INC.**, Las Vegas, NV (US)

(72) Inventors: **Robert J. Glenn, II**, Chicago, IL (US);
Paul M. Lesley, Chicago, IL (US);
Timothy C. Loose, Chicago, IL (US)

(73) Assignee: **SG Gaming, Inc.**, Las Vegas, NV (US)

(**) Term: **15 Years**

(21) Appl. No.: **29/665,488**

(22) Filed: **Oct. 3, 2018**

(51) **LOC (13) Cl.** **21-03**

(52) **U.S. Cl.**
USPC **D21/369**

(58) **Field of Classification Search**
USPC D21/369, 397, 385, 370, 329, 325, 326;
D14/374, 341, 307, 173, 140.8, 138 R,
D14/127, 486, 172, 107; D13/107;
463/31, 25, 23, 20
CPC .. G07F 17/3211; G07F 17/32; G07F 17/3213;
G07F 17/34; G07F 17/3267; G07F
17/3202; G07F 17/3262; G07F 17/3286;
G07F 17/3272; G07F 17/3216; G07F
17/322; G07F 17/3209; G07F 17/3244;
G07F 17/3227; A63F 9/0406; A63F
5/045; A63F 3/00157; A63F 5/02; A63F
13/25; A63F 13/20
See application file for complete search history.

(56) **References Cited**

U.S. PATENT DOCUMENTS

5,249,800 A 10/1993 Hilgendorf et al.
D435,270 S * 12/2000 Healy D20/10
6,729,618 B1 * 5/2004 Koenig G07F 17/32
273/138.2
D646,337 S 10/2011 Kelly et al.

D682,948 S 5/2013 Cesaroni et al.
D685,033 S 6/2013 Wudtke
D691,666 S 10/2013 Lesley et al.
D706,741 S 6/2014 Myers
D740,888 S 10/2015 DePalma et al.

(Continued)

Primary Examiner — Ryan Harvey

(74) *Attorney, Agent, or Firm* — Banner & Witcoff, Ltd.

(57) **CLAIM**

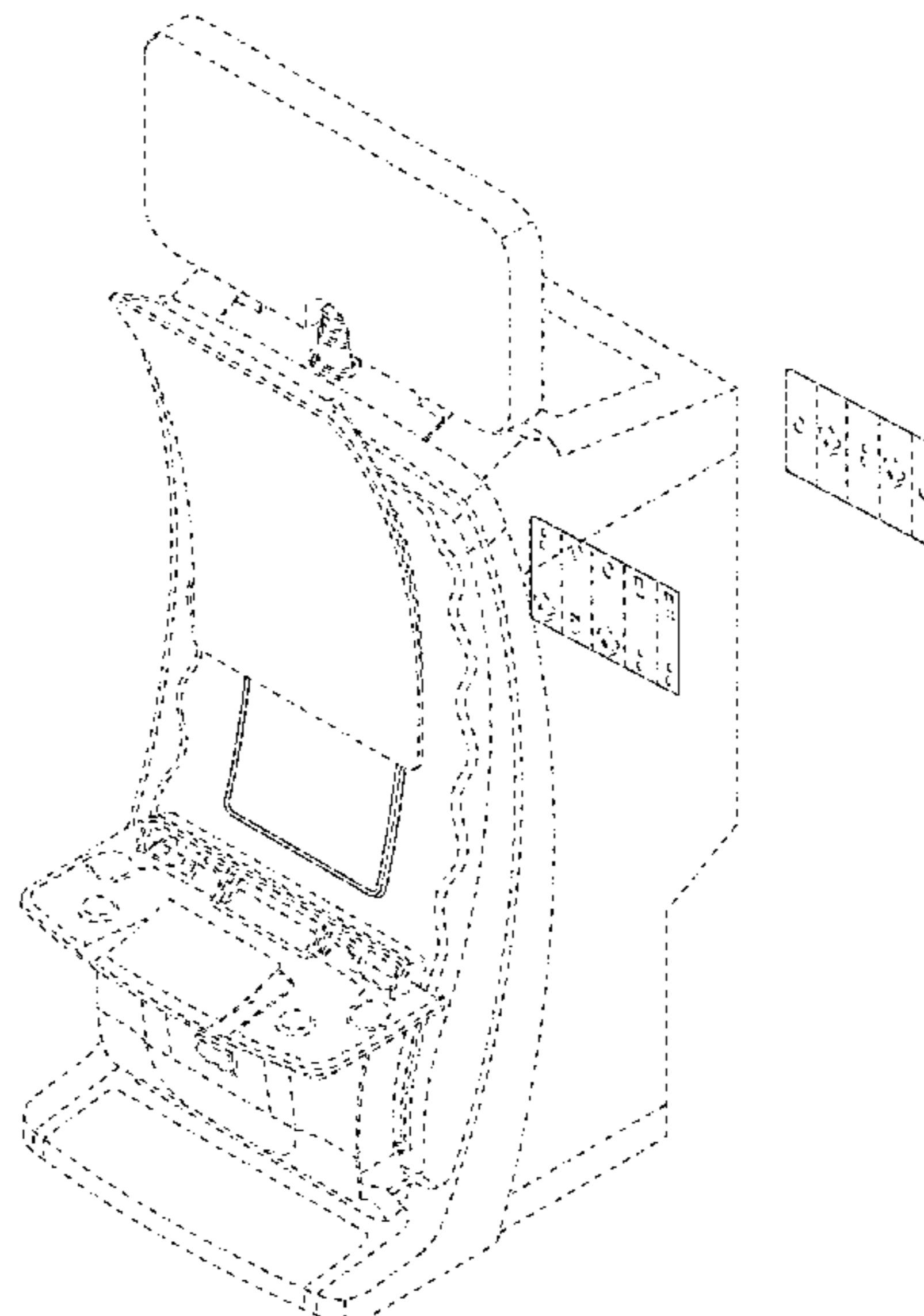
The ornamental design for a gaming machine, as shown and described.

DESCRIPTION

FIG. 1 is a front perspective view of a gaming machine showing our new design;
FIG. 2 is a front view thereof;
FIG. 3 is a left side view thereof;
FIG. 4 is a right side view thereof;
FIG. 5 is a top view thereof;
FIG. 6 is a cross-sectional view thereof taken through line 6-6 of FIG. 2;
FIG. 7 is a front perspective view of a gaming machine showing an alternate embodiment of our new design;
FIG. 8 is a front view thereof;
FIG. 9 is a left side view thereof;
FIG. 10 is a right side view thereof;
FIG. 11 is a top view thereof; and,
FIG. 12 is a cross-sectional view thereof taken through line 12-12 of FIG. 8.

The generally rectangular region shown in solid lines inside of the cabinet represents a physical display screen. The generally rectangular region shown in solid lines outside and to the rear of the cabinet represents a virtual display. The physical and virtual displays are superimposed relative to the rectangular region on the front of the display. The broken lines depicting the remainder of the gaming machine show features that form no part of the claimed design.

1 Claim, 12 Drawing Sheets



(56)

References Cited

U.S. PATENT DOCUMENTS

D742,975 S 11/2015 Myers et al.
 D759,068 S 6/2016 Arabian et al.
 RE46,169 E 10/2016 Kelly et al.
 D771,193 S 11/2016 Aoki et al.
 D783,096 S 4/2017 Aoki et al.
 D820,915 S 6/2018 Lee et al.
 10,037,651 B2 7/2018 You et al.
 D842,930 S * 3/2019 Johnson D21/369
 D843,460 S 3/2019 Castro et al.
 D843,461 S 3/2019 Castro et al.
 D843,467 S 3/2019 Johnson et al.
 D843,468 S 3/2019 Johnson et al.
 D843,473 S 3/2019 Zedell, Jr. et al.
 D843,474 S 3/2019 Lesley et al.
 D843,475 S 3/2019 Lesley et al.
 D843,476 S 3/2019 Lesley et al.
 D850,536 S * 6/2019 Stair D21/370
 D866,667 S * 11/2019 Stair D21/369
 D872,188 S 1/2020 Bernard et al.
 D872,189 S 1/2020 Bernard et al.
 D872,190 S 1/2020 Zedell, Jr. et al.
 D873,921 S 1/2020 Bernard et al.
 D876,344 S * 2/2020 Mercer D13/107
 10,559,165 B1 2/2020 Kelley et al.
 D880,606 S 4/2020 Glenn, II et al.
 D880,609 S 4/2020 Bernard et al.
 D880,610 S 4/2020 Glenn, II et al.
 D880,612 S 4/2020 Bernard et al.
 D880,613 S 4/2020 Bernard et al.
 D880,614 S 4/2020 Bernard et al.
 D880,615 S 4/2020 Bernard et al.
 D881,285 S 4/2020 Glenn et al.

D881,995 S 4/2020 Bernard et al.
 D882,696 S 4/2020 Lesley et al.
 D882,697 S 4/2020 Lesley et al.
 D882,698 S 4/2020 Lesley et al.
 D884,079 S 5/2020 Glenn, II et al.
 D886,207 S 6/2020 Yee et al.
 D886,208 S 6/2020 Yee et al.
 D886,905 S 6/2020 Bernard et al.
 D887,495 S 6/2020 Bernard et al.
 D889,546 S * 7/2020 Jones D21/326
 D890,264 S * 7/2020 Johnson D21/369
 D890,265 S * 7/2020 Johnson D21/369
 D890,850 S * 7/2020 Johnson D21/369
 10,726,609 B2 * 7/2020 O'Brien G09G 3/00
 D893,631 S * 8/2020 Glinka D21/369
 D894,285 S * 8/2020 Glenn D21/369
 D895,019 S 9/2020 Lesley et al.
 D896,235 S * 9/2020 Tedesco D14/485
 2009/0036208 A1 * 2/2009 Pennington G07F 17/3202
 463/33
 2013/0217486 A1 * 8/2013 Schlottmann H04N 13/395
 463/31
 2016/0093143 A1 * 3/2016 Lamb G07F 17/323
 463/20
 2018/0053373 A1 * 2/2018 Goldstein G07F 17/3216
 2018/0078854 A1 * 3/2018 Achmueller H04N 13/366
 2019/0012874 A1 1/2019 Goldstein et al.
 2019/0066445 A1 * 2/2019 Satterlie G07F 17/3216
 2019/0096161 A1 3/2019 Barbour et al.
 2019/0244488 A1 * 8/2019 Marsh G07F 17/3213
 2020/0111285 A1 * 4/2020 Phillips, Jr. G07F 17/3216
 2020/0111295 A1 4/2020 Glenn et al.
 2020/0111299 A1 4/2020 Baker et al.
 2020/0160654 A1 * 5/2020 Idris G07F 17/3223

* cited by examiner

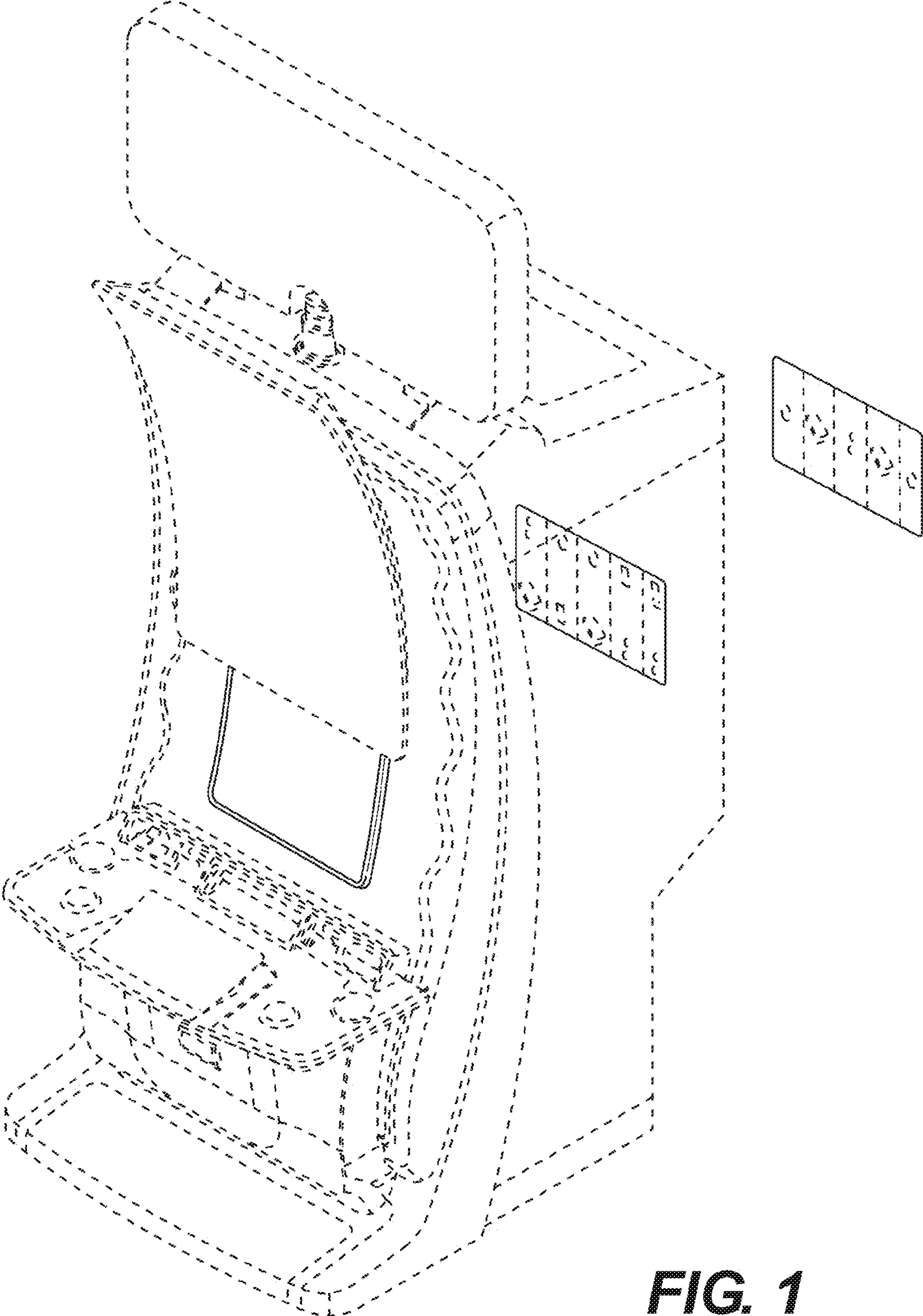


FIG. 1

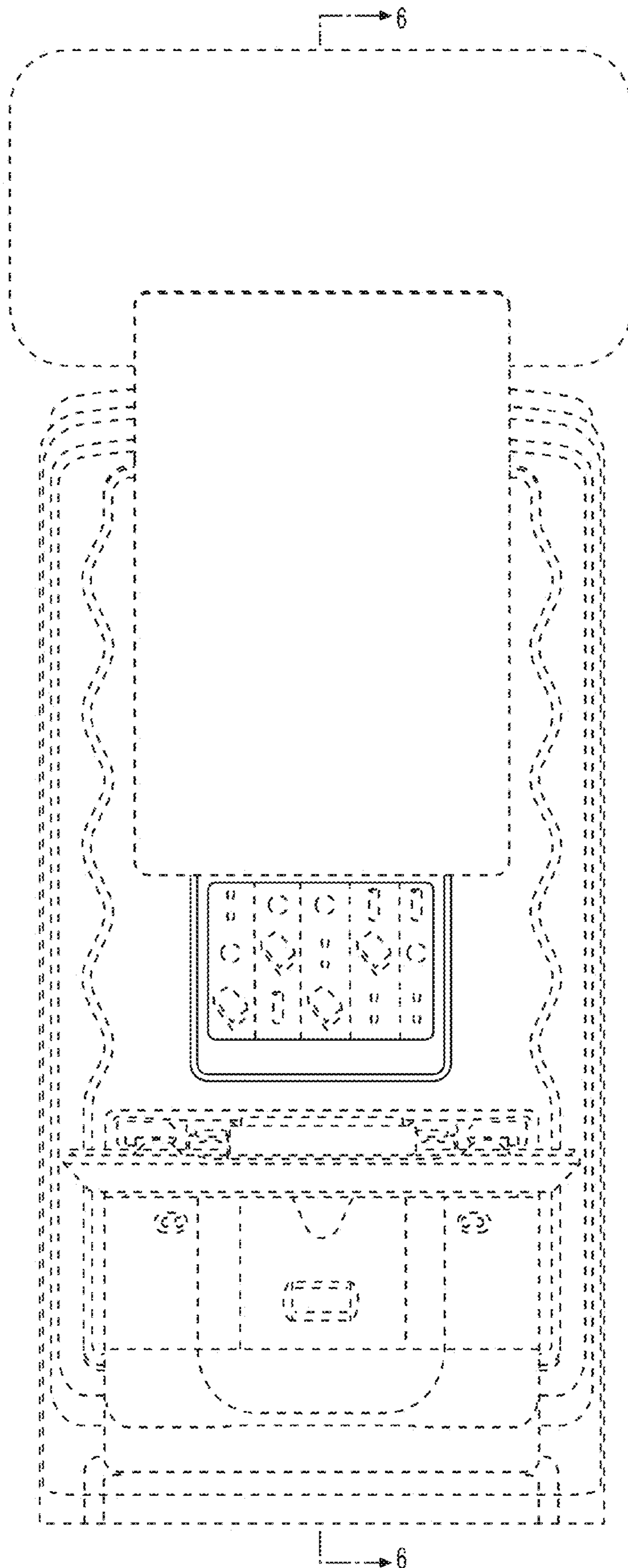


FIG. 2

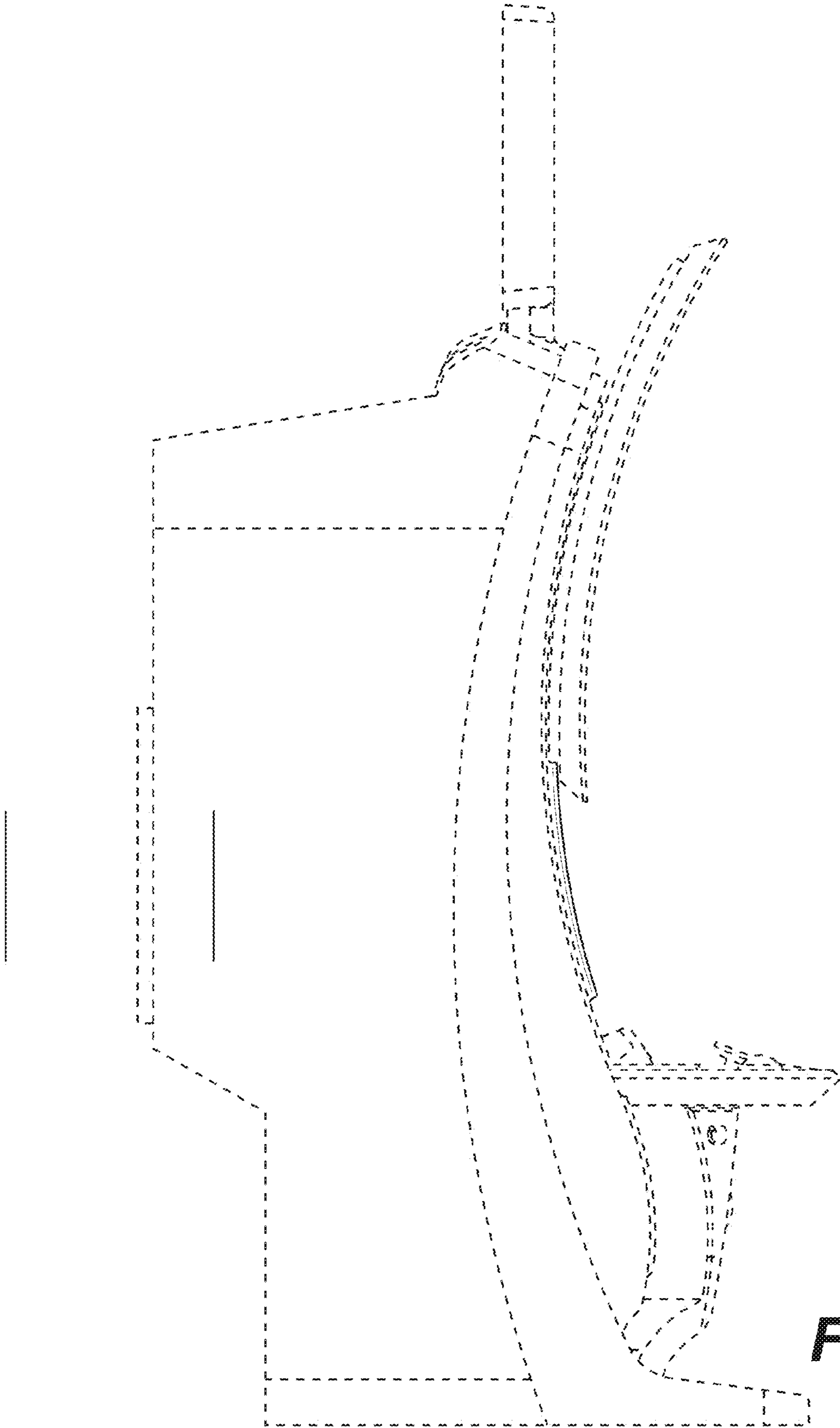


FIG. 3

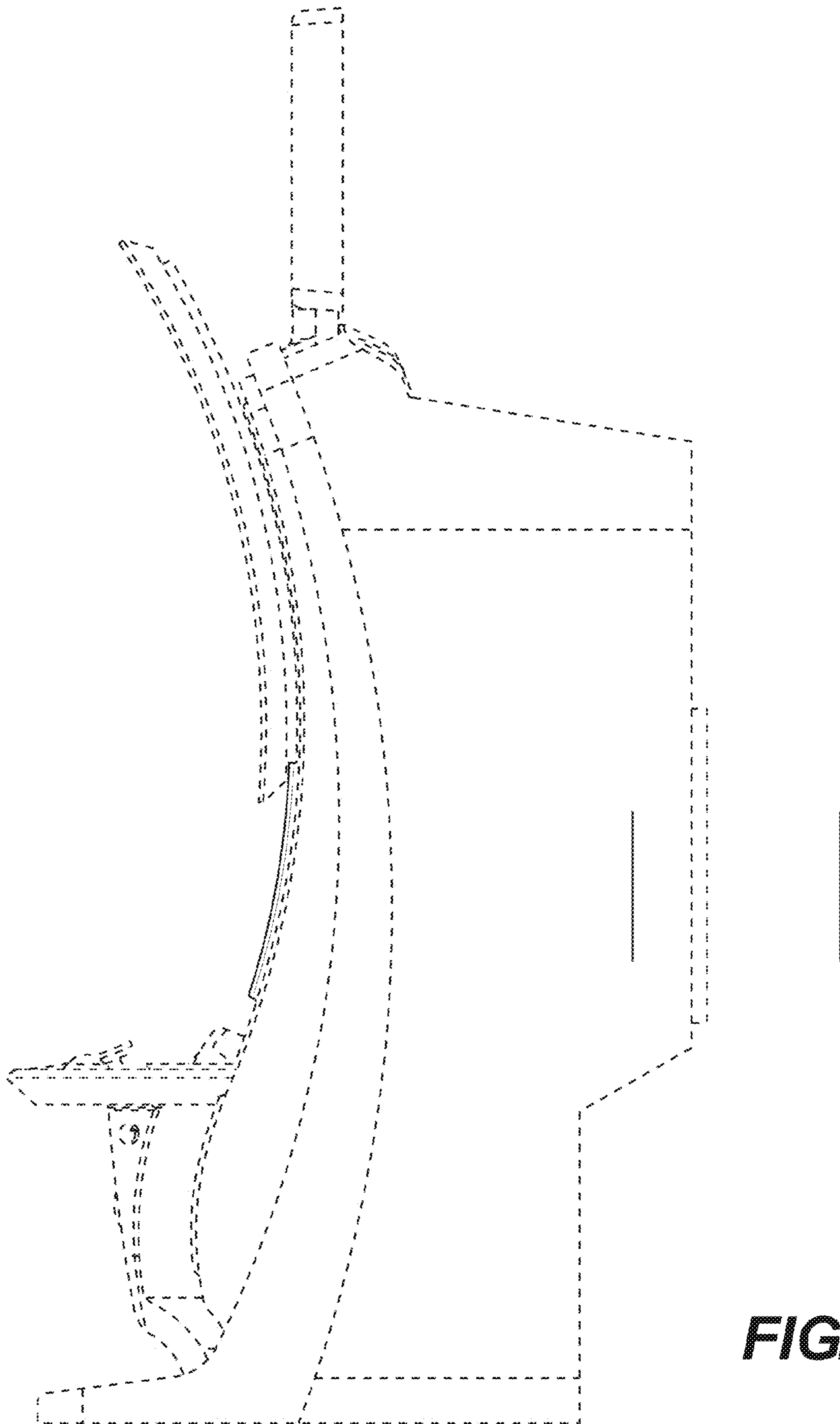


FIG. 4

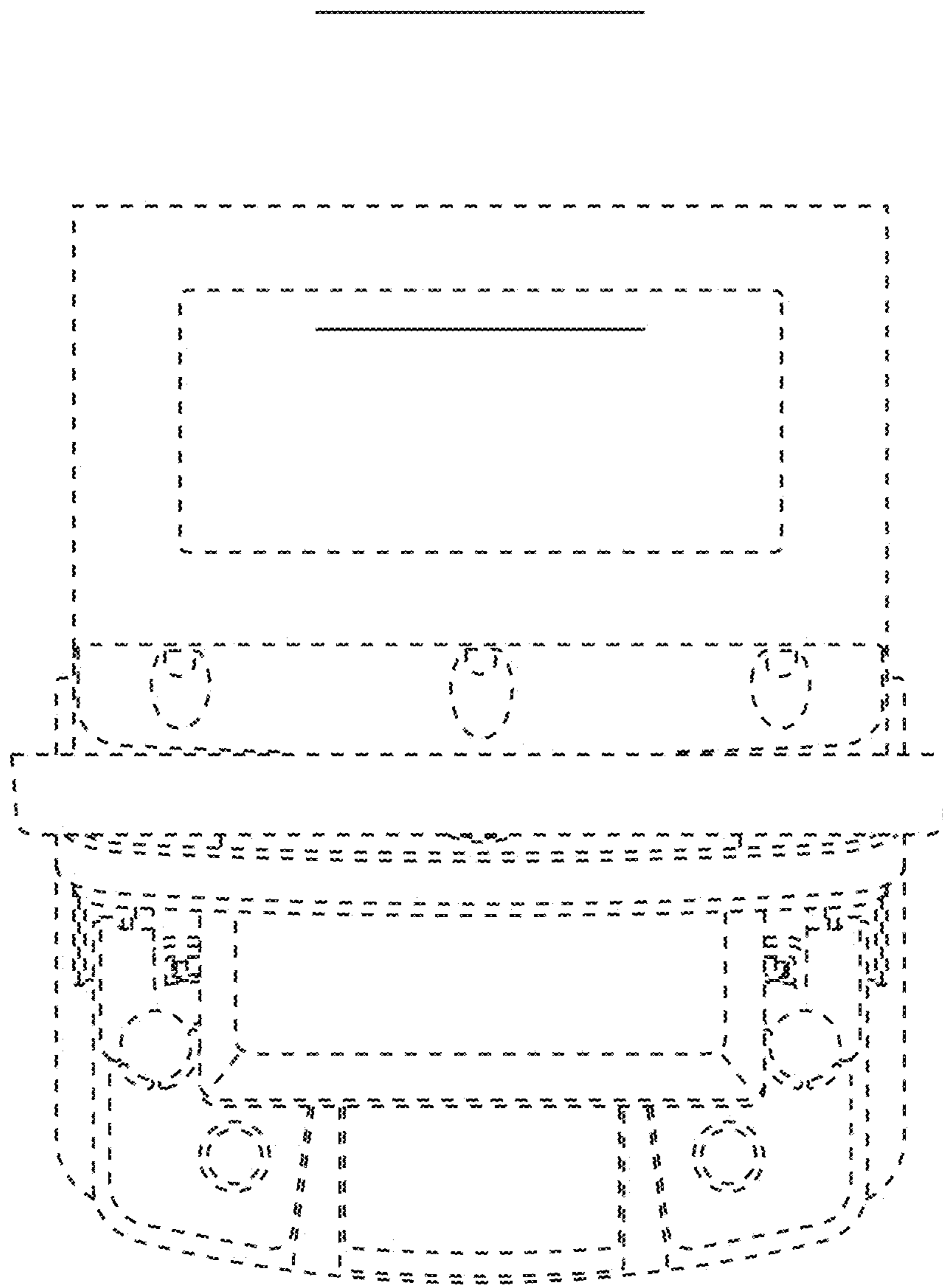


FIG. 5

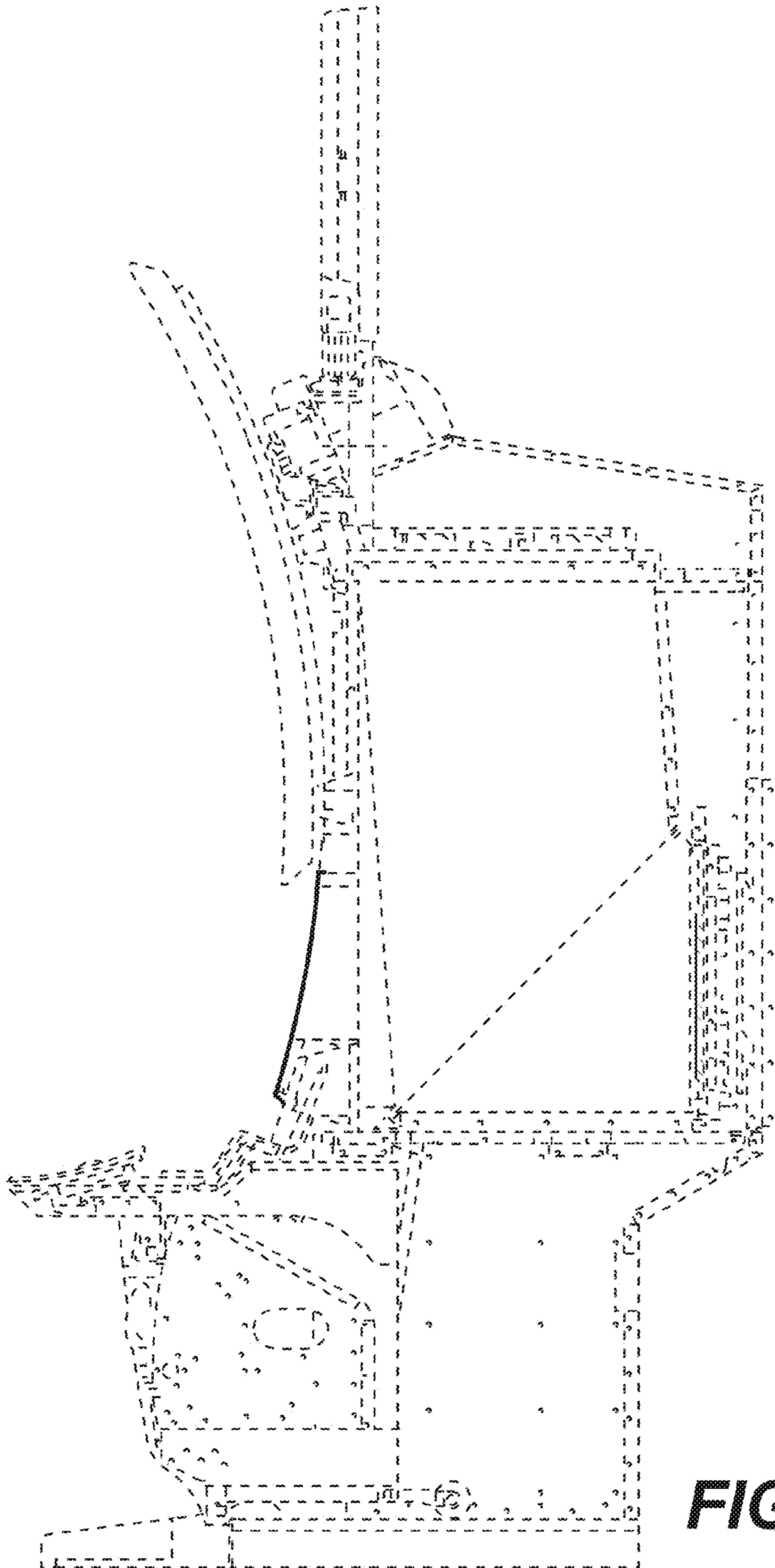


FIG. 6

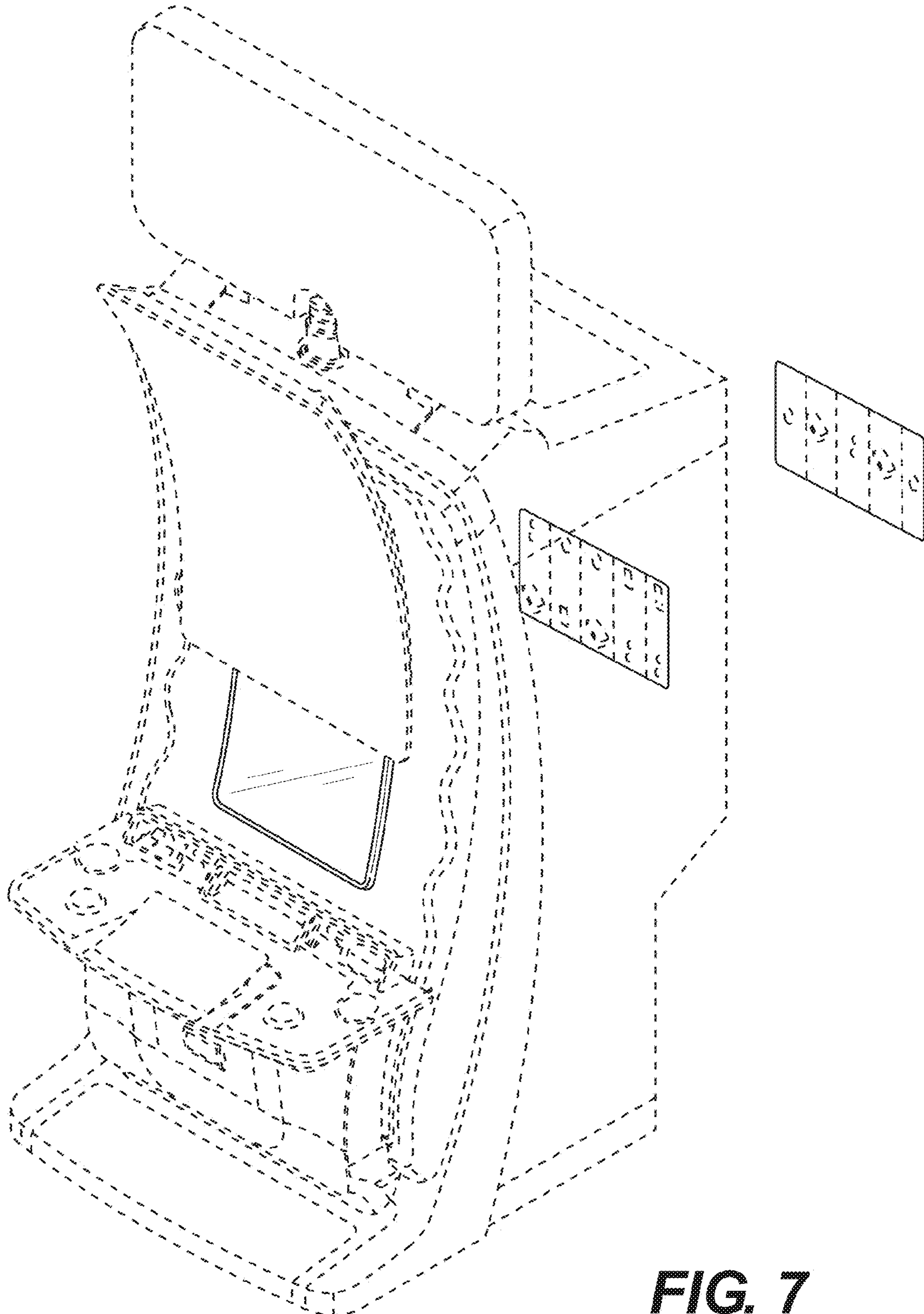


FIG. 7

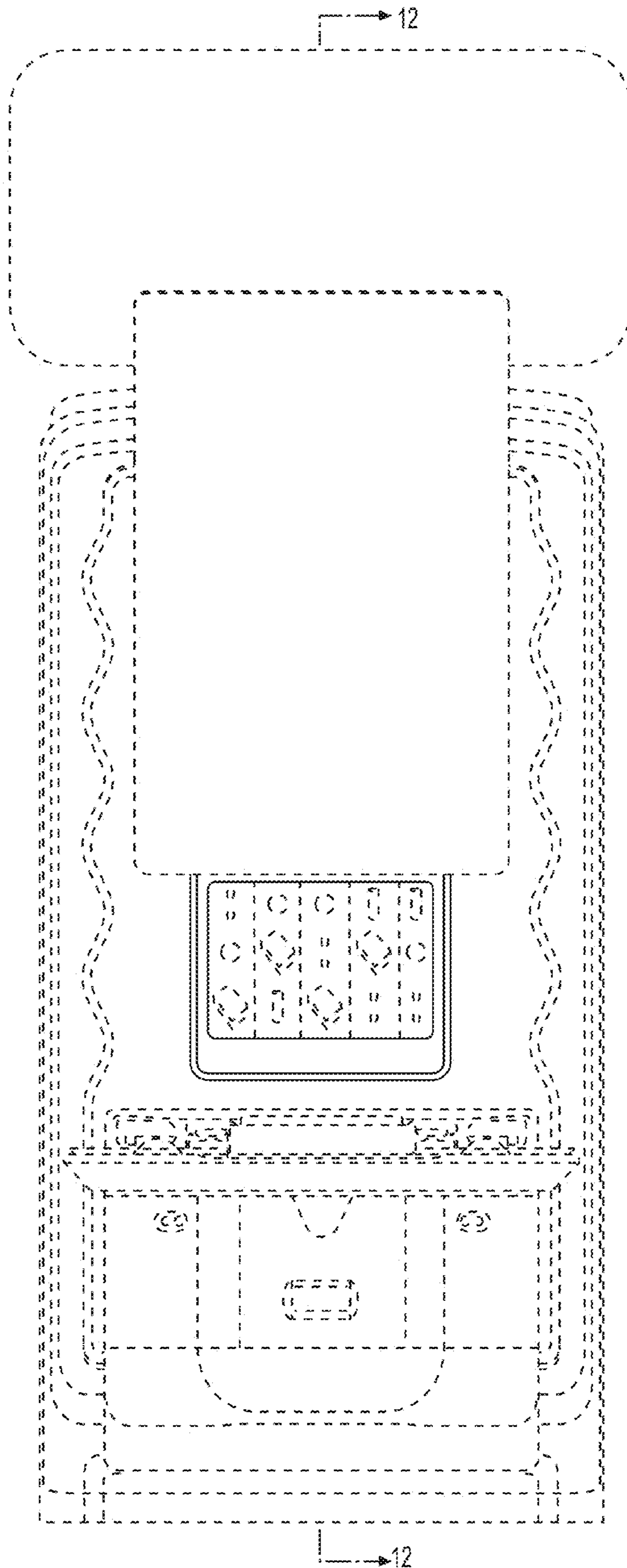


FIG. 8

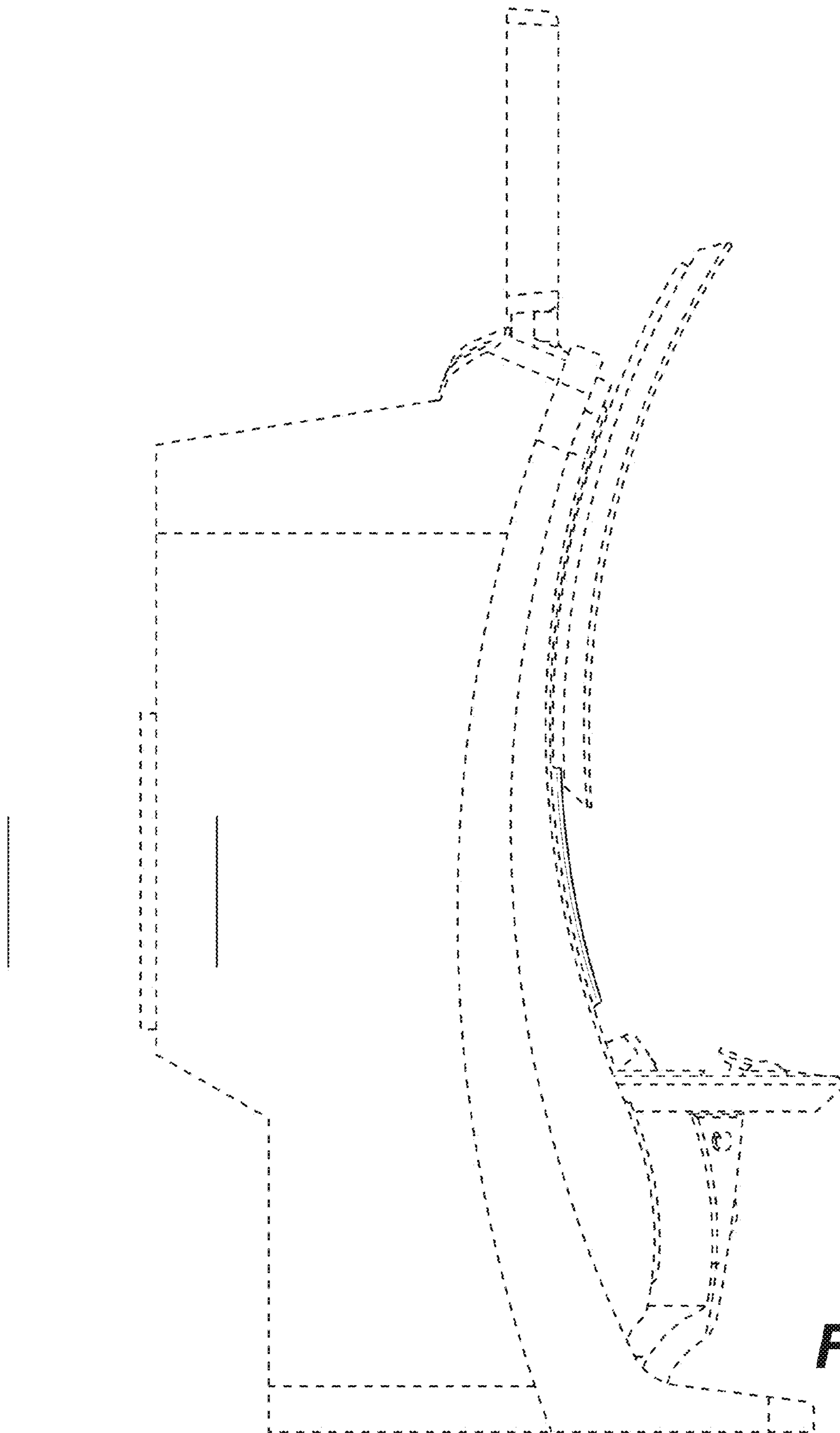


FIG. 9

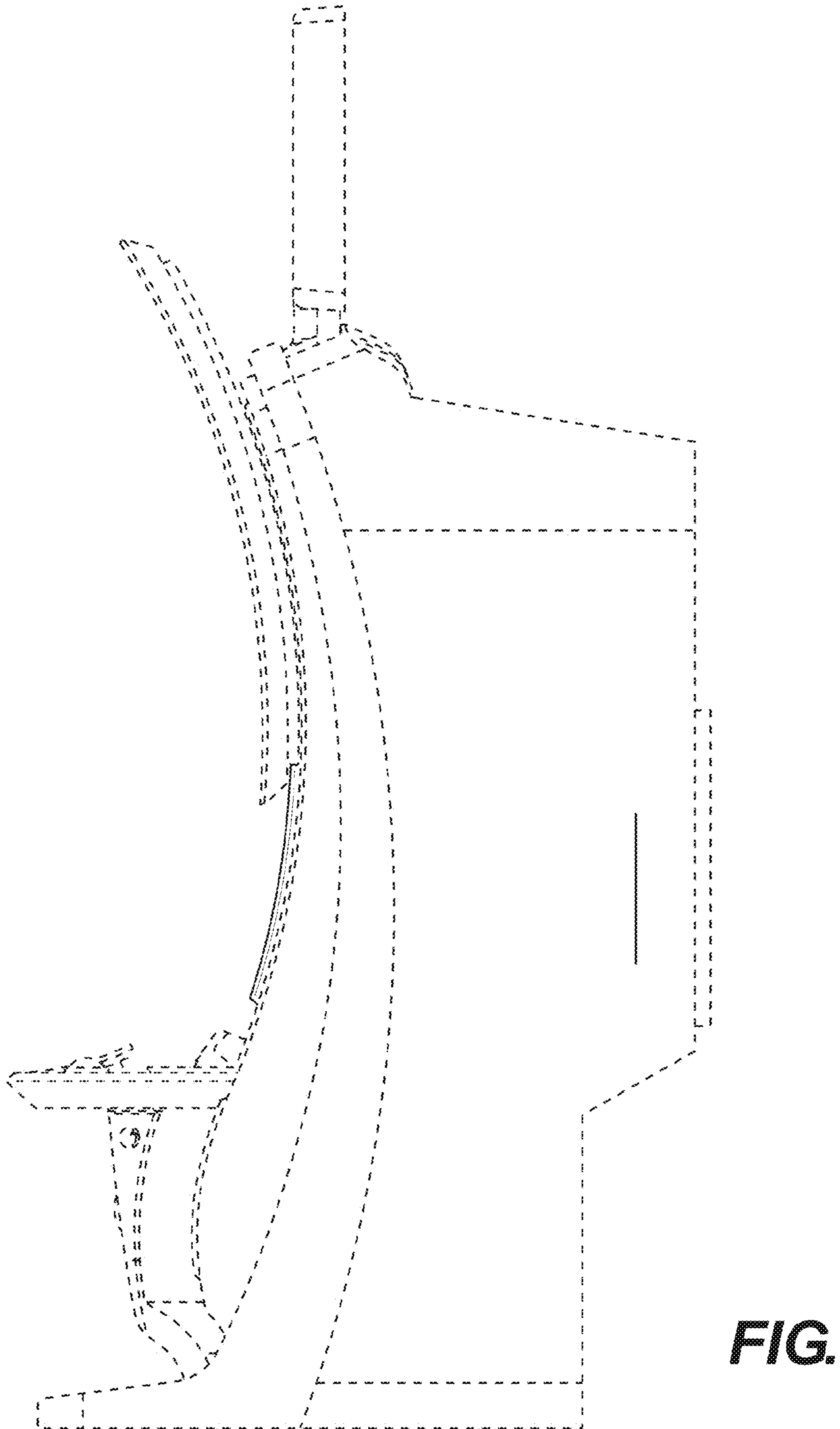


FIG. 10

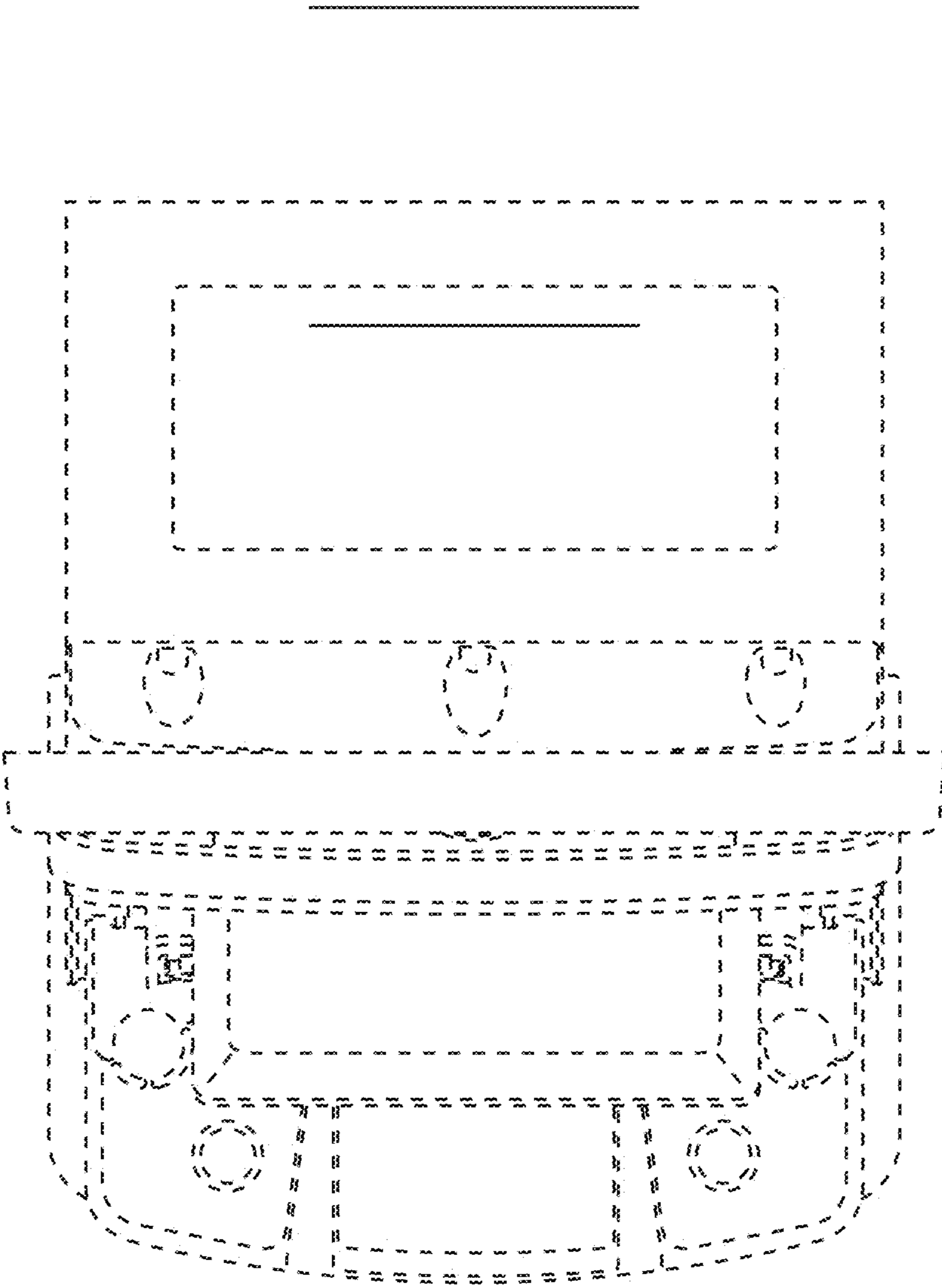


FIG. 11

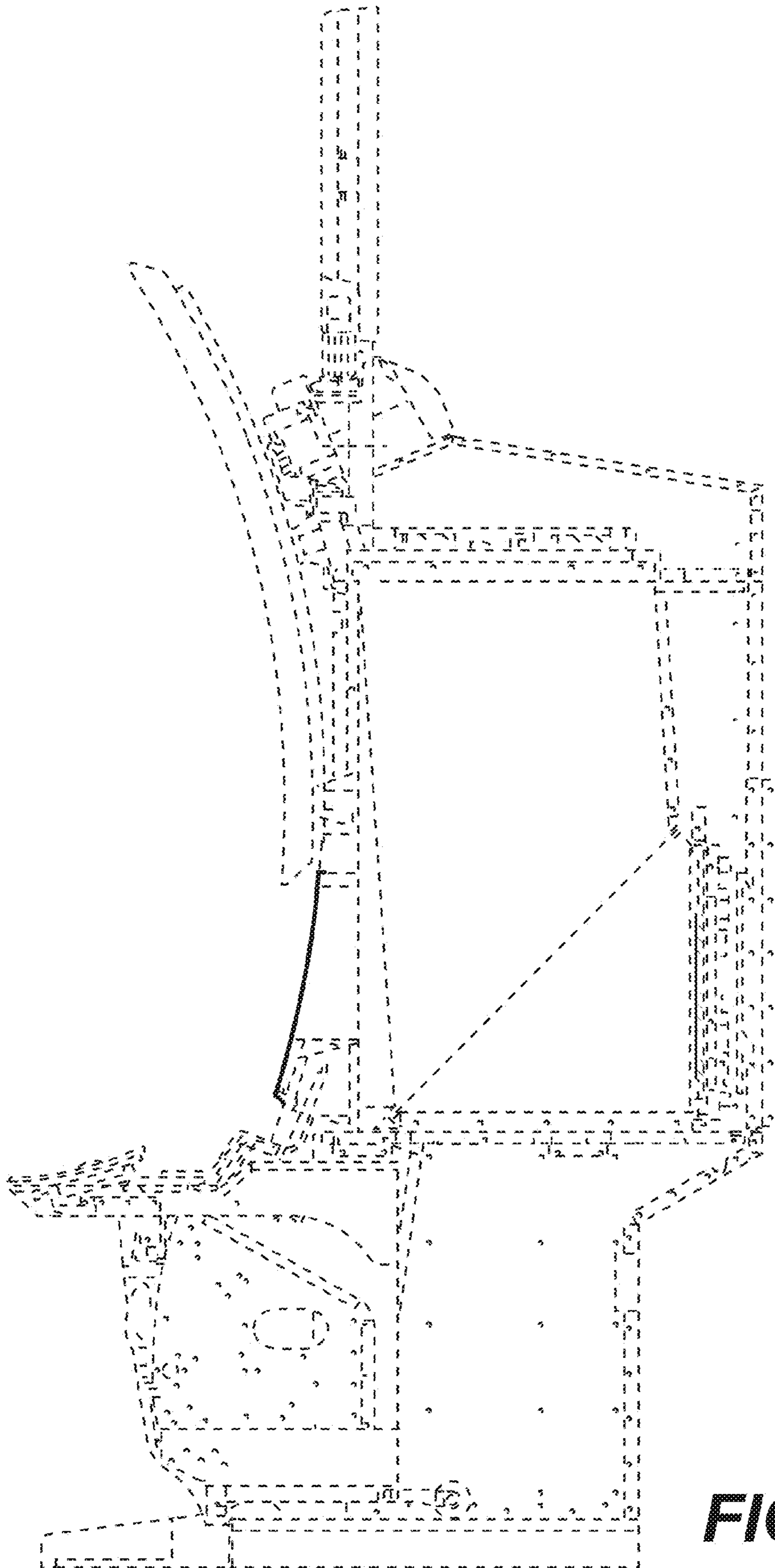


FIG. 12