



US00D937353S

(12) **United States Design Patent**  
**Peeters et al.**

(10) **Patent No.: US D937,353 S**  
(45) **Date of Patent: \*\* Nov. 30, 2021**

(54) **GAME BOARD AND GAME PIECES**

(71) Applicant: **SMART N.V.**, Kontich (BE)

(72) Inventors: **Raf Peeters**, Lier (BE); **Leighton Meredith Rees**, Cirencester (GB)

(73) Assignee: **SMART N.V.**, Kontich (BE)

(\*\*) Term: **15 Years**

(21) Appl. No.: **29/687,592**

(22) Filed: **Apr. 14, 2019**

(30) **Foreign Application Priority Data**

Oct. 30, 2018 (EM) ..... 005813094

(51) **LOC (13) Cl.** ..... **21-01**

(52) **U.S. Cl.**

USPC ..... **D21/360**; D21/350; D21/334

(58) **Field of Classification Search**

USPC ..... D21/334, 335-342, 355-359, 365, 318, D21/397, 351, 385, 386, 389, 404, 478, D21/479, 483-486, 489-491, 493, 494, D21/497, 499, 507, 510, 511, 561; 273/241, 242, 244-247, 259, 271-281, 273/282.1-282.3, 284, 287, 317.3, 108.1, 273/108.5, 118 D, 236-240, 283, 309, 273/441, 461, 288-290, 153 R, 156, 273/153 S; D6/406.1, 406.3, 406.4, D6/406.6; D19/86, 92, 95, 87, 113, 75, D19/77, 78, 80, 60, 59, 64, 63; 108/14, 108/62, 43, 67; 434/81, 82, 96, 128, 365, 434/393, 403, 428, 429, 433, 416, 247, 434/248, 251, 408, 413, 145, 430; 446/82-84, 85, 97, 99, 101, 102, 118, 446/124, 268, 330, 476, 491, 901

CPC .... A63F 3/00; A63F 3/00003; A63F 3/00028; A63F 3/00041; A63F 3/00044; A63F 3/00047; A63F 3/00173; A63F 3/00176; A63F 3/00214; A63F 3/00261; A63F 3/00643; A63F 3/00646-00659; A63F 3/04; A63F 3/00097; A63F 3/0434; A63F

3/00148; A63F 3/00697; A63F 3/0023; A63F 3/00895; A63F 3/00574; A63F 3/00694; A63F 2003/00182; A63F 2003/00223; A63F 2003/00457; A63F 2003/0046; A63F 2003/00463; A63F 2003/00466; A63F 2003/0047; A63F 2003/00485; A63F 2003/00492; A63F 2003/00507; A63F 2003/00514; A63F 2003/00533; A63F 2003/00552; A63F 2003/00558; A63F 2003/00943; A63F 2003/00946; A63F 2003/00952-00962; A63F 2003/00974; A63F 7/00; A63F 7/06; A63F 7/0612; A63F 7/0604; A63F 7/0616-0636; A63F 7/30; A63F 7/36; A63F 7/0005; A63F 7/0017; A63F 7/0023; A63F 2007/0035; A63F 2007/367; A63F 2007/3674; A63F 9/00; A63F 9/08; A63F 9/001; A63F 9/0826; A63F 9/0073; A63F 9/0078; A63F 9/0602; A63F 9/0613; A63F 9/12-1208; A63F 9/1288; A63F 2009/0012; A63F 2009/1212-1228; A63F 2009/1292; A63F 2009/1296

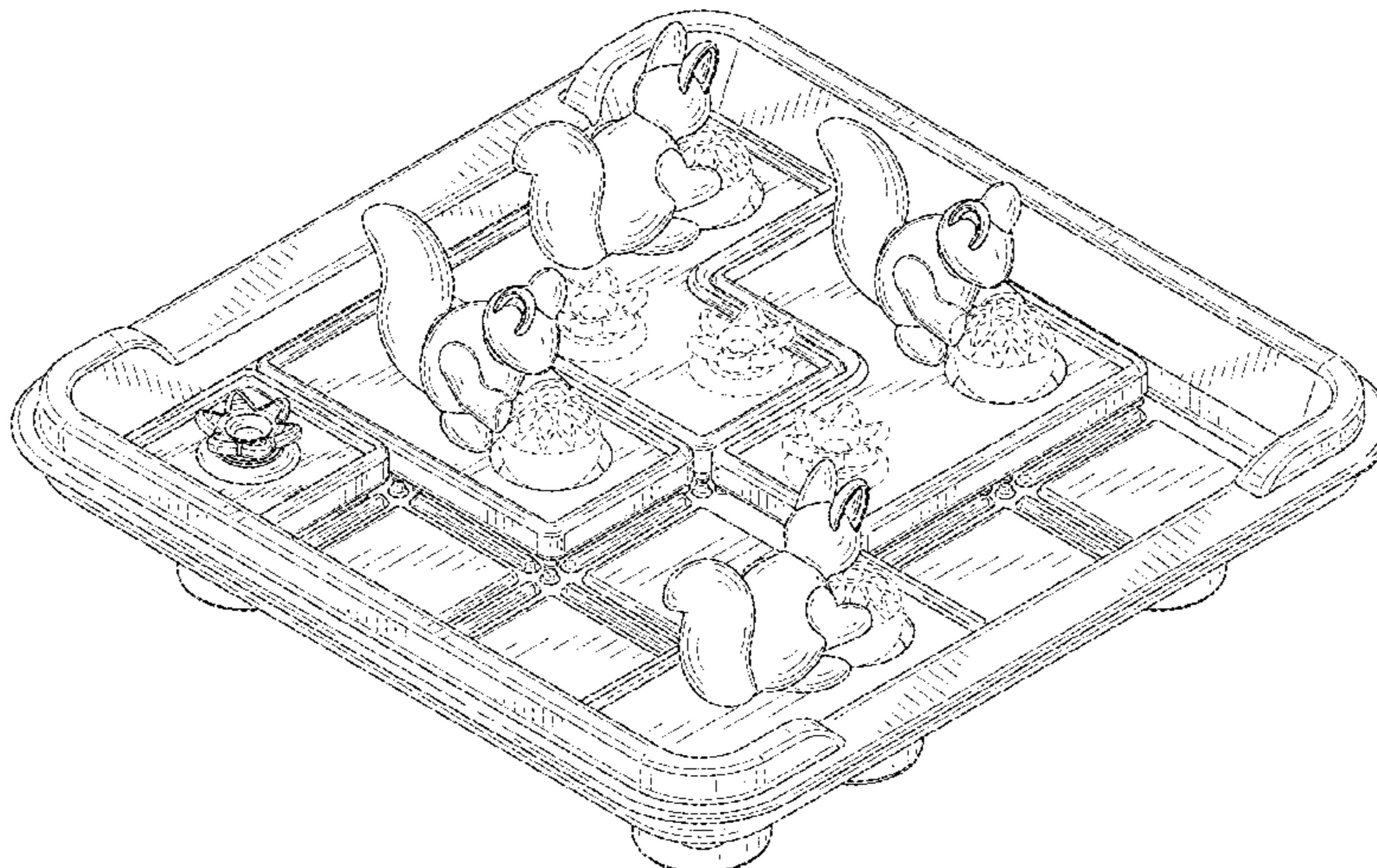
See application file for complete search history.

(56)

**References Cited**

**U.S. PATENT DOCUMENTS**

D46,256 S \* 8/1914 Lahiere ..... D21/564  
1,221,493 A \* 4/1917 Whitaker ..... A63F 3/00697  
273/282.1  
D51,623 S \* 12/1917 Young ..... D21/360  
1,343,984 A \* 6/1920 Ramsey ..... A63F 3/027  
273/282.1  
2,101,019 A \* 12/1937 Bowes ..... E04B 5/32  
249/18  
D111,647 S \* 10/1938 Alger ..... D21/335  
D137,722 S \* 4/1944 Triay ..... D21/366  
D141,734 S \* 7/1945 Collins ..... D21/342  
D166,144 S \* 3/1952 Cline ..... D21/350  
D171,113 S \* 12/1953 Swan ..... D21/341  
2,757,934 A \* 8/1956 Dunbar ..... A63F 3/0423  
273/272  
D188,987 S \* 10/1960 Swimmer ..... D21/336  
D197,134 S \* 12/1963 Markham ..... D21/336



# US D937,353 S

3,170,697 A *	2/1965	Banks	A63F 3/065	4,674,433 A *	6/1987	Inada	G09B 19/02
			273/282.1				116/200
3,345,071 A *	10/1967	Nekton	A63F 3/022	4,685,884 A *	8/1987	Rohan	G09B 25/06
			273/282.1				273/157 R
D210,542 S *	3/1968	Stookey	D21/336	D297,951 S *	10/1988	Mayuzumi	D21/336
D213,705 S *	4/1969	Rosenberg	D21/350	4,783,081 A *	11/1988	Eckhardt	A63F 3/00261
3,531,122 A *	9/1970	Meade	A63F 3/00697				273/281
			273/282.1	D299,499 S *	1/1989	Gould	D21/478
D220,502 S *	4/1971	Frederick et al.	D21/342	D299,933 S *	2/1989	Shalaon	D21/336
D220,825 S *	5/1971	Kohner et al.	D21/342	4,819,945 A *	4/1989	Porcheddu	A63F 3/00634
D220,963 S *	6/1971	Cohen et al.	D21/341				273/272
3,588,112 A *	6/1971	Holt	A63F 3/00574	4,838,553 A *	6/1989	Chaun-Tien	A63F 9/305
			273/282.1				273/447
D223,939 S *	6/1972	Palazzolo	D21/336	4,872,723 A *	10/1989	Kopf	B60N 3/002
D225,241 S *	11/1972	Westlake	D21/336				297/216.1
3,705,727 A *	12/1972	Breslow	A63F 3/06	D305,039 S *	12/1989	Fudro	D21/336
			273/271	4,896,889 A *	1/1990	Kuhn	A63F 1/10
D228,142 S *	8/1973	Mannina	D21/342				273/150
D230,870 S *	3/1974	Keim	D21/336	5,054,789 A *	10/1991	Pellerin	A63F 3/0423
3,823,944 A *	7/1974	Stubbsmann	A63F 3/0695				273/288
			273/281	D335,898 S *	5/1993	Trotta	D21/350
D232,646 S *	9/1974	Stubbsmann	D21/345	5,219,170 A *	6/1993	Ledford	A63F 3/00574
D234,781 S *	4/1975	White et al.	D21/336				273/248
D237,987 S *	12/1975	Stubbsmann	D21/341	D344,550 S *	2/1994	Klok	D21/350
3,929,337 A *	12/1975	Hayes	A63F 3/00574	D347,662 S *	6/1994	Johnson	D21/351
			273/243	D358,841 S *	5/1995	Ascone	D19/103
D239,848 S *	5/1976	Wessborg	D21/341	5,427,379 A *	6/1995	Lee	A63F 3/00634
D242,157 S *	11/1976	Missinich	D21/336				273/264
4,032,151 A *	6/1977	Morse	A63F 3/00097	D363,091 S *	10/1995	Dobis	D21/336
			273/242	D367,502 S *	2/1996	Armendariz	D21/478
4,136,883 A *	1/1979	Klees	A63F 3/00261	D371,578 S *	7/1996	Henderson	D21/338
			273/281	5,558,336 A *	9/1996	Sapello	A63F 3/00634
D252,953 S *	9/1979	Pagani	D21/338				273/281
4,175,742 A *	11/1979	Todokoro	A63F 9/30	D389,872 S *	1/1998	Rhea	D21/360
			273/447	D390,279 S *	2/1998	Foster	D21/360
D255,129 S *	5/1980	Strongin	D21/341	D395,468 S *	6/1998	Wagner	D21/478
4,224,761 A *	9/1980	Wakimura	A63F 9/305	D400,936 S *	11/1998	Wagner	D21/478
			273/237	D405,128 S *	2/1999	Vallier	D21/360
4,229,003 A *	10/1980	Shimizu	A63F 9/34	D419,772 S *	2/2000	Williams	D3/201
			273/448	D421,776 S *	3/2000	Borg	D21/336
4,234,181 A *	11/1980	Breslow	A63F 9/30	D437,567 S *	2/2001	Peterson	D11/158
			273/440	D449,013 S *	10/2001	Spielberg	D11/158
4,244,581 A *	1/1981	Imatt	A63F 3/00574	D450,351 S *	11/2001	Fong	D21/335
			273/236	6,345,822 B1 *	2/2002	Reynolds	A63F 3/00261
D258,599 S *	3/1981	Hodges	D21/341				273/281
4,254,957 A *	3/1981	Kramer	A63F 3/00574	D469,153 S *	1/2003	Gibbs	D22/127
			273/271	D491,234 S *	6/2004	Rom	D21/478
4,327,919 A *	5/1982	Vennor	A63F 3/00697	D501,231 S *	1/2005	Rom	D21/478
			273/236	6,983,937 B2 *	1/2006	Levinson	A63F 3/00097
D264,857 S *	6/1982	Aitkens	D21/338				273/248
D267,023 S *	11/1982	Bowser	D21/336	D526,027 S *	8/2006	Smith	D21/336
D270,170 S *	8/1983	Shoptaugh	D21/342	D535,337 S *	1/2007	Liu	D21/300
D270,258 S *	8/1983	Iwaya	D21/336	D535,704 S *	1/2007	Chow	D21/300
4,411,433 A *	10/1983	Flynn	A63F 3/00574	D539,359 S *	3/2007	Rom	D21/478
			273/260	D549,288 S *	8/2007	Droznika	D21/341
4,418,908 A *	12/1983	Kinberg	A63F 9/0079	D564,398 S *	3/2008	Chen	D11/158
			273/108	D569,443 S *	5/2008	Whitney	D21/341
D272,253 S *	1/1984	Du Plessis	D21/338	D591,197 S *	4/2009	Sozzi	D11/158
D275,020 S *	8/1984	Charves	273/284	D603,468 S *	11/2009	Kelly	D21/656
4,474,371 A *	10/1984	Silbermintz	A63F 9/1204	D627,401 S *	11/2010	Fan	D21/341
			273/153 S	D628,244 S *	11/2010	Fish	D21/449
4,504,243 A *	3/1985	Barlow	A63F 3/00634	D639,866 S *	6/2011	Levasseur	D21/342
			446/444	D648,548 S *	11/2011	Winer	D6/300
4,512,584 A *	4/1985	Propsom	A63F 3/00574	D651,658 S *	1/2012	Danilko	D21/350
			273/282.1	D656,201 S *	3/2012	Perrin	D21/335
4,524,967 A *	6/1985	Hanson	A63F 9/30	D656,559 S *	3/2012	Fuchs	D21/338
			273/273	D657,824 S *	4/2012	Sorrell	D21/365
4,551,103 A *	11/1985	Vitale	A63F 3/00063	D660,371 S *	5/2012	Fuchs	D21/338
			434/225	D667,506 S *	9/2012	Peeters	D21/478
D282,265 S *	1/1986	Hyland	D21/336	D698,094 S *	1/2014	Paculdo	D30/121
D283,012 S *	3/1986	Jankens	D32/55	D713,890 S *	9/2014	Elwell	D21/341
D285,318 S *	8/1986	Propsom	D21/341	D713,891 S *	9/2014	Schwartz	D21/342
4,607,847 A *	8/1986	Chung	A63F 3/00094	8,870,185 B2 *	10/2014	Cheng	A63F 3/00574
			273/264				273/281
D288,697 S *	3/1987	Newton	D21/341	D742,666 S *	11/2015	Akana	D6/682.2
4,648,524 A *	3/1987	Ackermann	A47B 88/969	D769,678 S *	10/2016	Jussen	D7/701
			220/507	D789,749 S *	6/2017	Tsai	D7/600.1
				D789,750 S *	6/2017	Noe	D7/600.1

D820,690	S	*	6/2018	Canuto	.....	D9/757
D873,660	S	*	1/2020	Akana	.....	D9/436
D876,731	S	*	2/2020	Seadler	.....	D30/160
D897,449	S	*	9/2020	Xu	.....	D21/468
D900,242	S	*	10/2020	Ramirez	.....	D21/448
D905,176	S	*	12/2020	Ramirez	.....	D21/448
D905,801	S	*	12/2020	Chen	.....	D21/615
D911,450	S	*	2/2021	Peeters	.....	D21/336
D912,156	S	*	3/2021	Peeters	.....	D21/335
D915,520	S	*	4/2021	Peeters	.....	D21/360
D915,521	S	*	4/2021	Peeters	.....	D21/360
D915,522	S	*	4/2021	Rees	.....	D21/360
D916,197	S	*	4/2021	Peeters	.....	D21/360
D916,206	S	*	4/2021	Ribbens	.....	D21/615
2004/0221948	A1	*	11/2004	Tugonon	.....	B44C 5/0438 156/256

\* cited by examiner

Primary Examiner — Susan Moon Lee  
(74) Attorney, Agent, or Firm — Hodgson Russ LLP

(57) **CLAIM**

The ornamental design for a game board and game pieces, as shown and described.

**DESCRIPTION**

FIG. 1 is a top perspective view of the game board component shown separately for clarity of illustration;  
 FIG. 2 is a top view of the game board of FIG. 1;  
 FIG. 3 is a bottom view of the game board of FIG. 1;  
 FIG. 4 is a front elevational view of the game board of FIG. 1;  
 FIG. 5 is a rear elevational view of the game board of FIG. 1;  
 FIG. 6 is a right side of the game board of FIG. 1;  
 FIG. 7 is a left side of the game board of FIG. 1;  
 FIG. 8 is a top perspective view of a game piece, shown separately for clarity of illustration;  
 FIG. 9 is a left side view of the game piece of FIG. 8;  
 FIG. 10 is a right side view of the game piece of FIG. 8;  
 FIG. 11 is a front elevational view of the game piece of FIG. 8;  
 FIG. 12 is a rear elevational view of the game piece of FIG. 8;  
 FIG. 13 is a top view of the game piece of FIG. 8;  
 FIG. 14 is a bottom view of the game piece of FIG. 8;

FIG. 15 is a top perspective view of a game piece, shown separately for clarity of illustration;  
 FIG. 16 is a left side view of the game piece of FIG. 15;  
 FIG. 17 is a right side view of the game piece of FIG. 15;  
 FIG. 18 is a front elevational view of the game piece of FIG. 15;  
 FIG. 19 is a rear elevational view of the game piece of FIG. 15;  
 FIG. 20 is a top view of the game piece of FIG. 15;  
 FIG. 21 is a bottom view of the game piece of FIG. 15;  
 FIG. 22 is a top perspective view of a game piece, shown separately for clarity of illustration;  
 FIG. 23 is a left side view of the game piece of FIG. 22;  
 FIG. 24 is a right side view of the game piece of FIG. 22;  
 FIG. 25 is a rear elevational view of the game piece of FIG. 22;  
 FIG. 26 is a front elevational view of the game piece of FIG. 22;  
 FIG. 27 is a top view of the game piece of FIG. 22;  
 FIG. 28 is a bottom view of the game piece of FIG. 22;  
 FIG. 29 is a top perspective view of a game piece, shown separately for clarity of illustration;  
 FIG. 30 is a left side view of the game piece of FIG. 29;  
 FIG. 31 is a right side view of the game piece of FIG. 29;  
 FIG. 32 is a front elevational view of the game piece of FIG. 29;  
 FIG. 33 is a rear elevational view of the game piece of FIG. 29;  
 FIG. 34 is a top view of the game piece of FIG. 29;  
 FIG. 35 is a bottom view of the game piece of FIG. 29;  
 FIG. 36 is a top perspective view of a game piece, shown separately for clarity of illustration;  
 FIG. 37 is a right side view of the game piece of FIG. 36;  
 FIG. 38 is a left side view of the game piece of FIG. 36;  
 FIG. 39 is a front elevational view of the game piece of FIG. 36;  
 FIG. 40 is a rear elevational view of the game piece of FIG. 36;  
 FIG. 41 is a top view of the game piece of FIG. 36;  
 FIG. 42 is a bottom view of the game piece of FIG. 36; and,  
 FIG. 43 is a top perspective view of the game board and game pieces in accordance with our new design.  
 The evenly-dashed broken lines in the drawings illustrate the portions of the game pieces and game board that form no part of the claim.

**1 Claim, 28 Drawing Sheets**

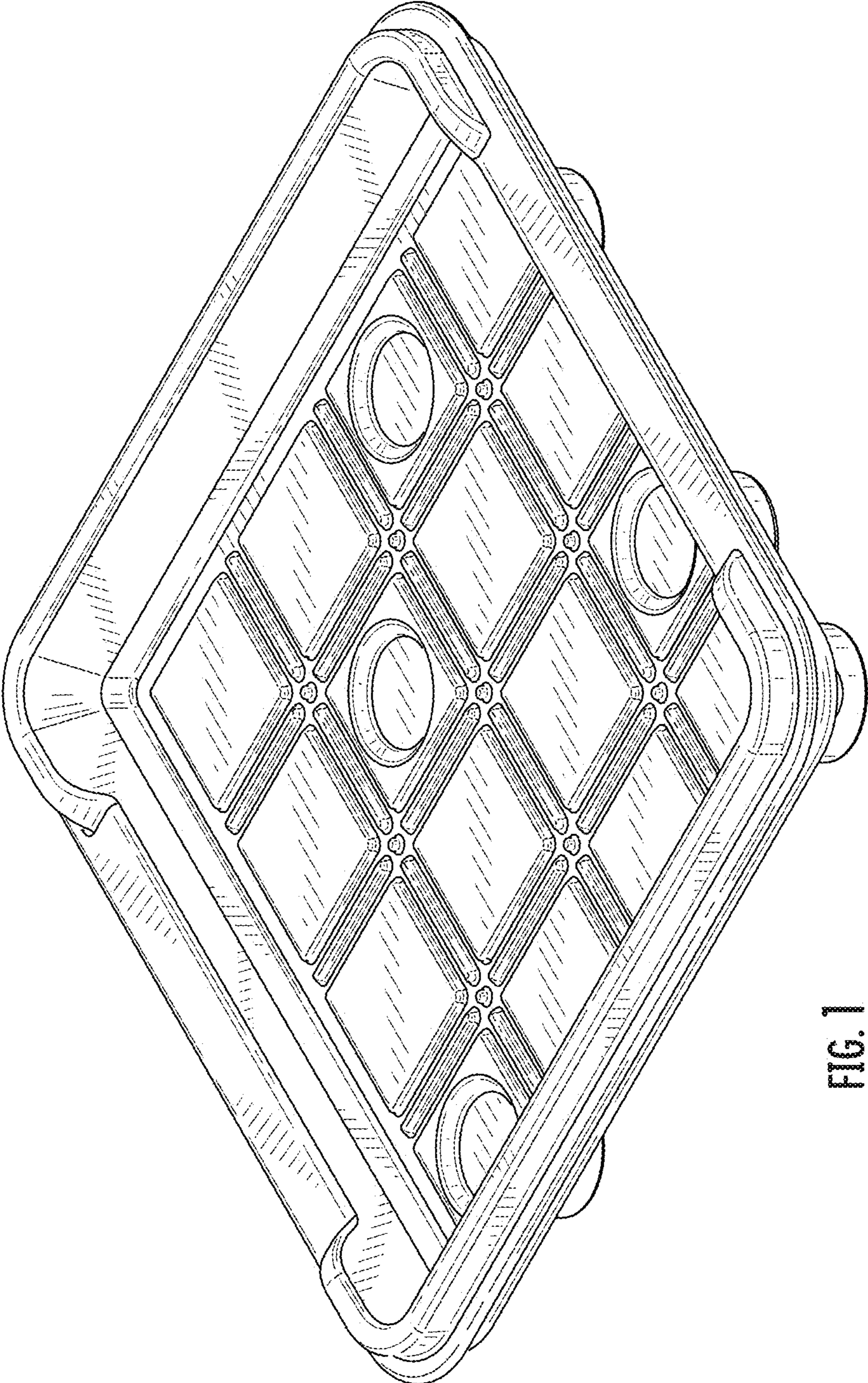


FIG. 1

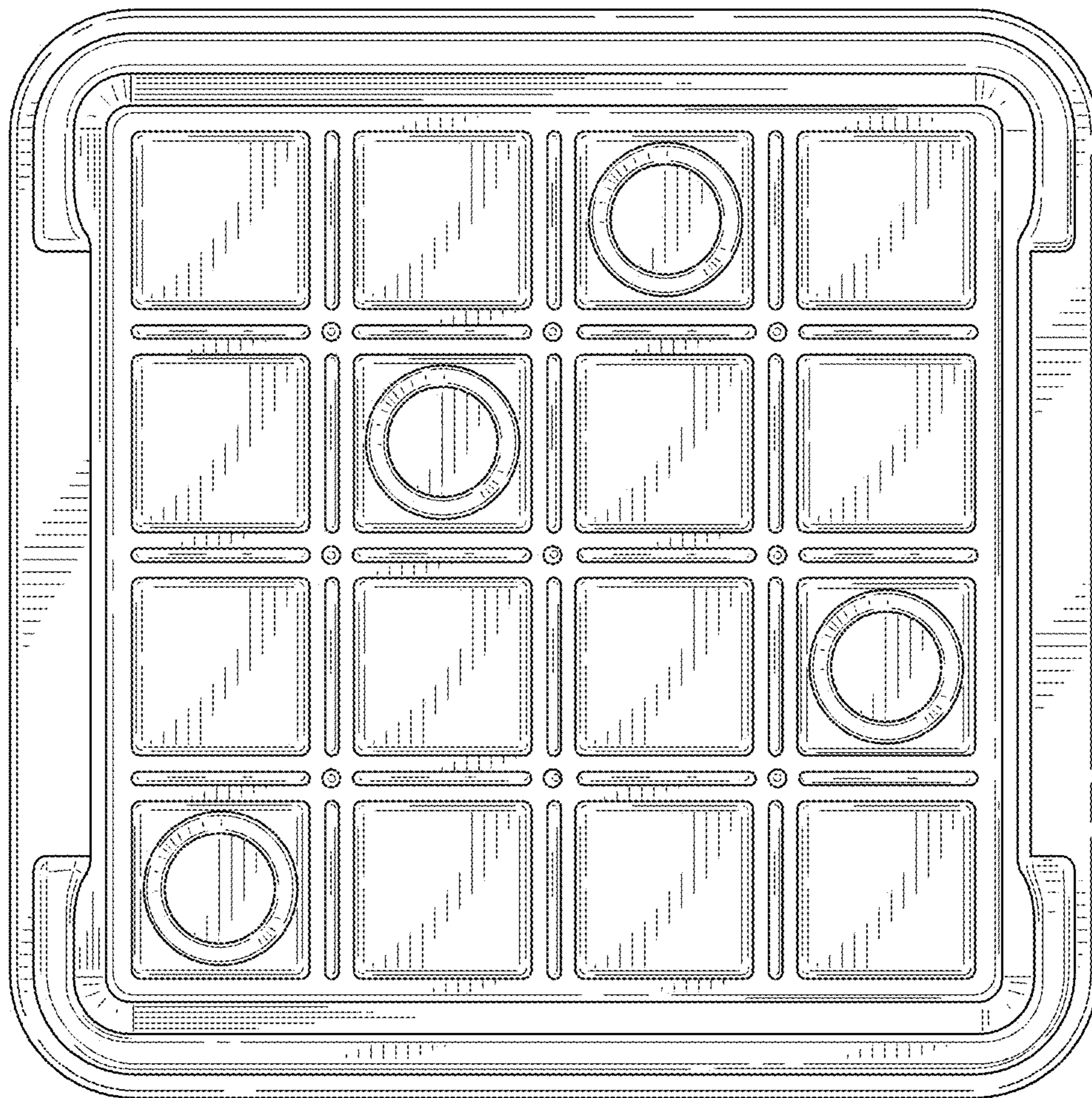


FIG. 2

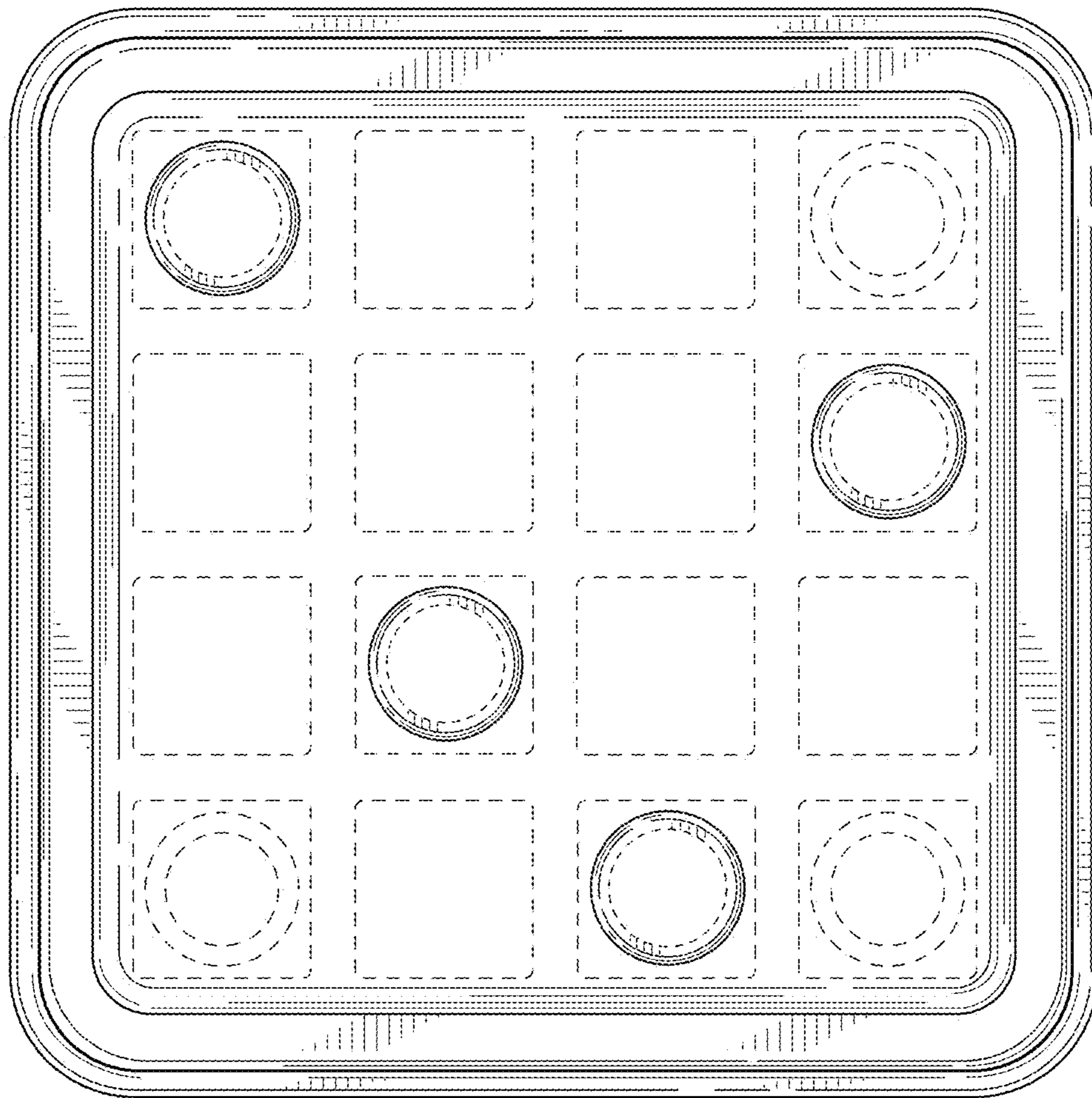


FIG. 3

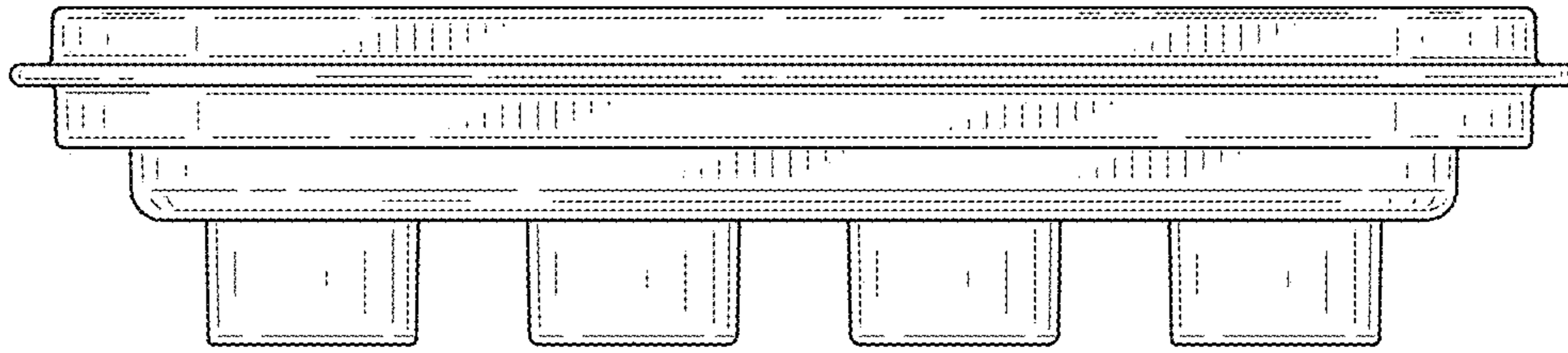


FIG. 4

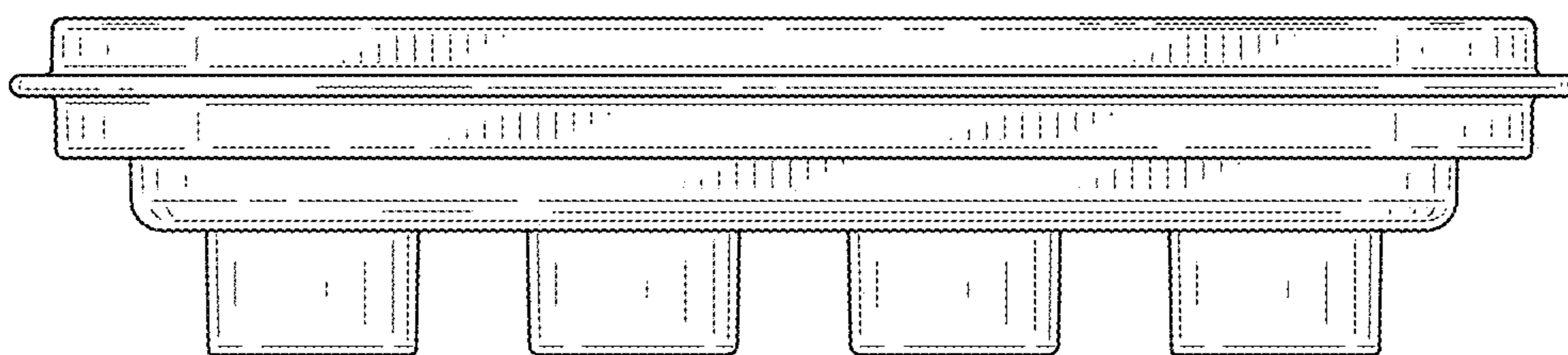


FIG. 5

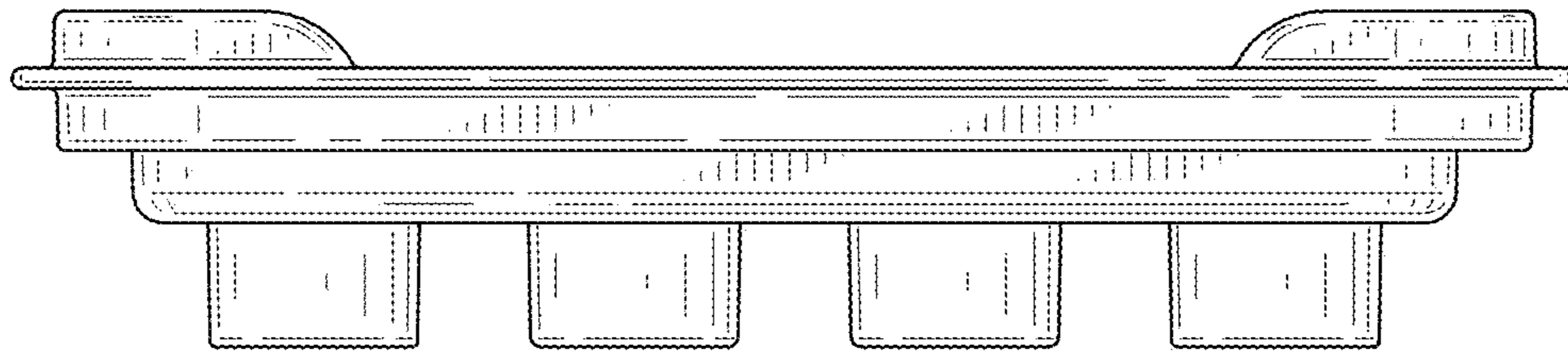


FIG. 6

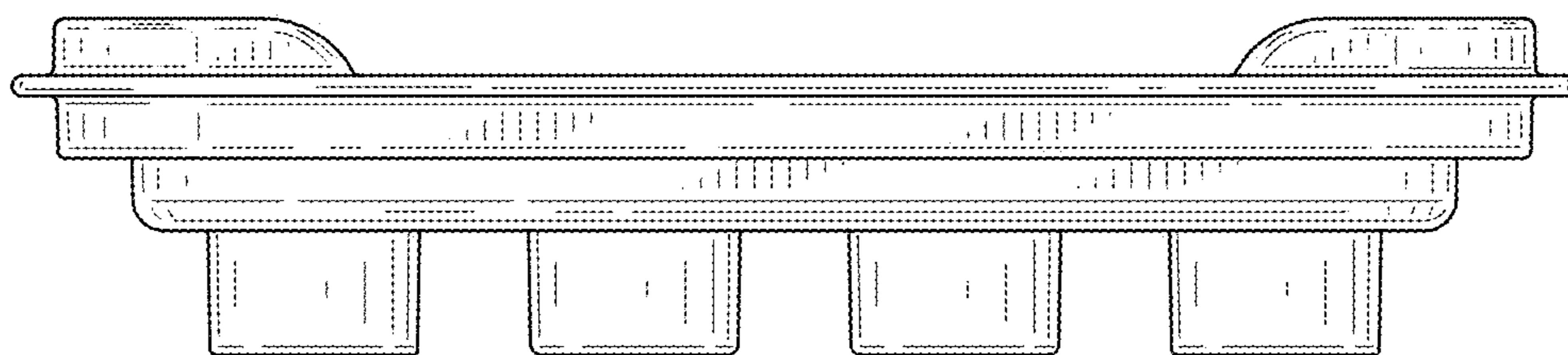


FIG. 7



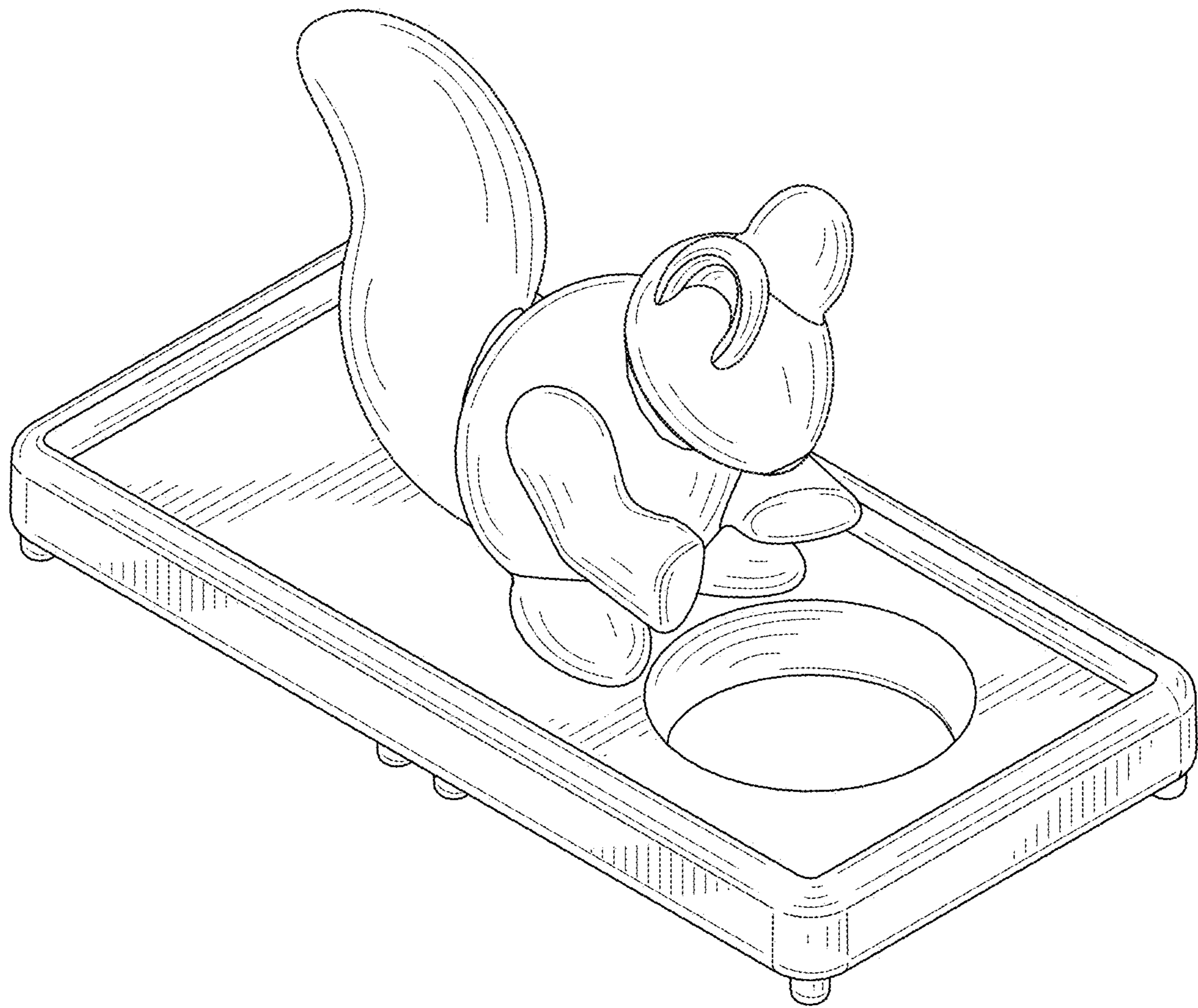


FIG. 8

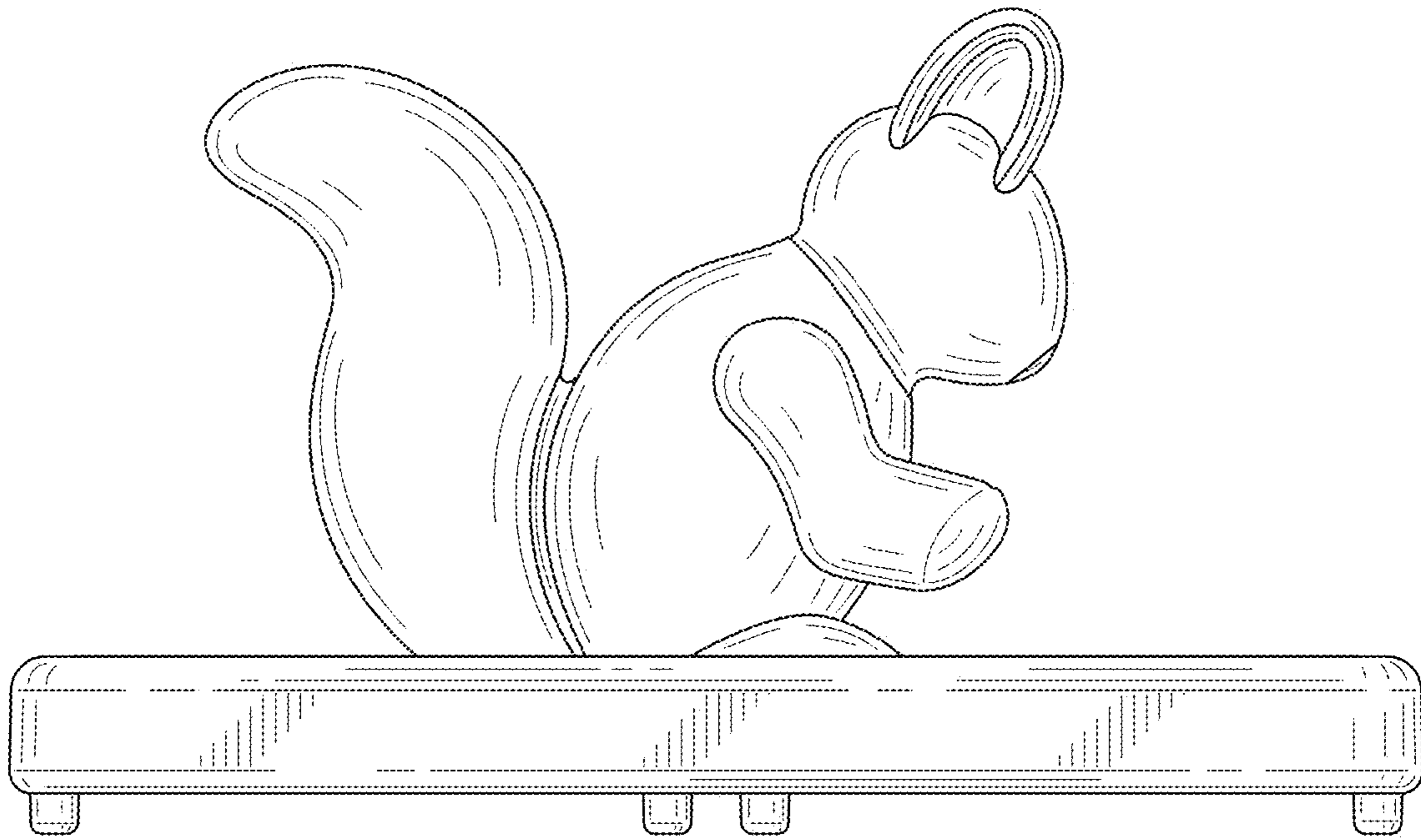


FIG. 9

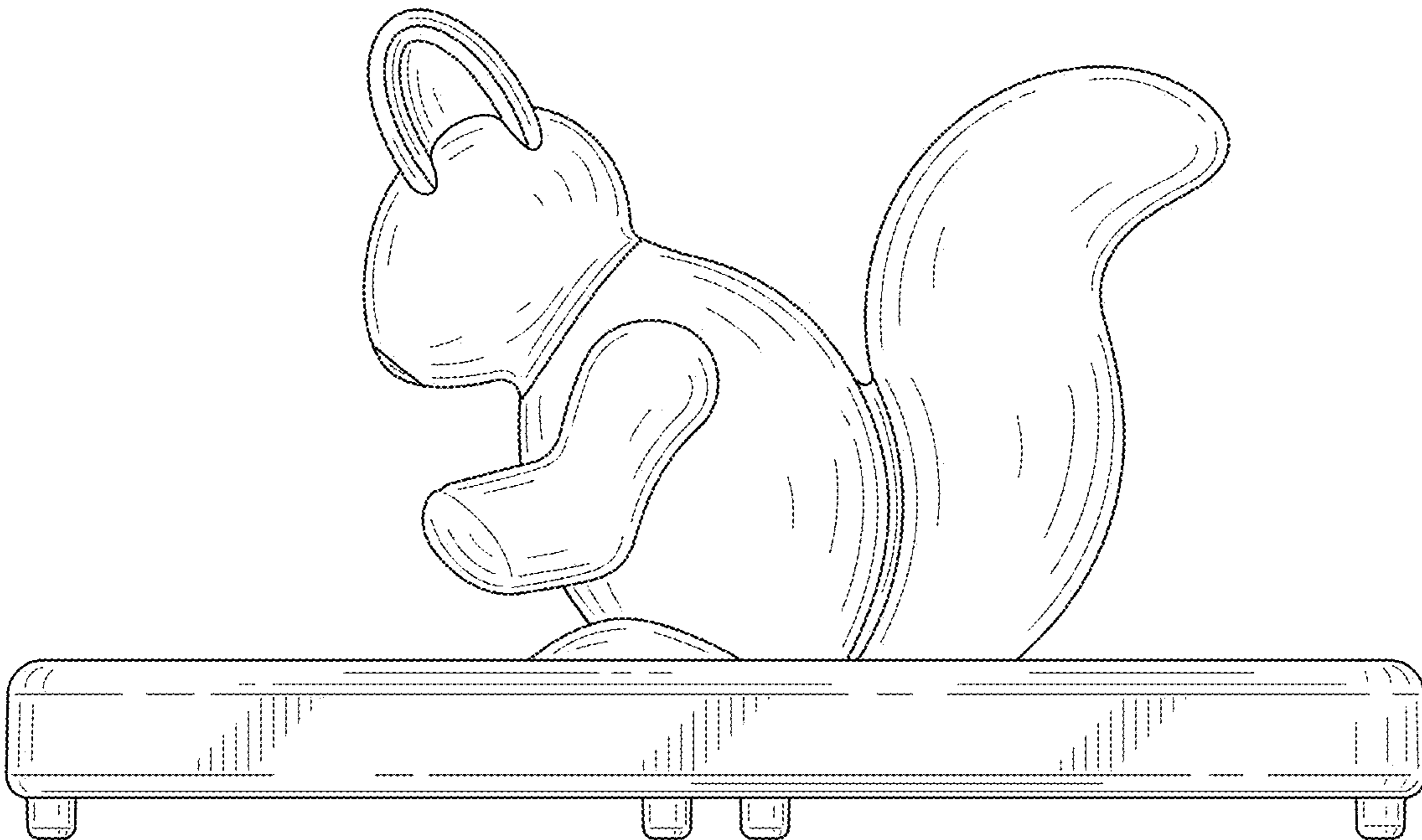


FIG. 10

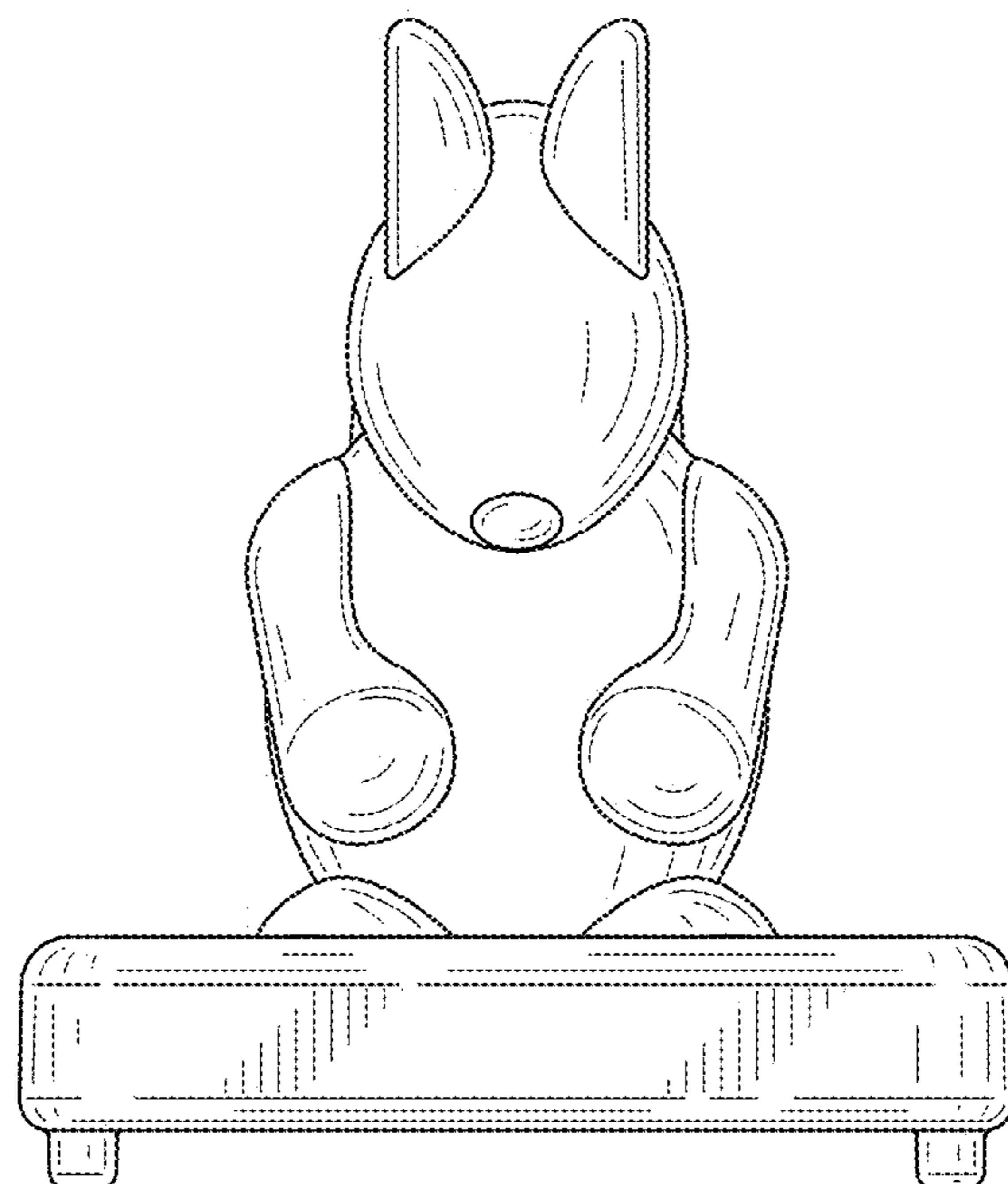


FIG. 11

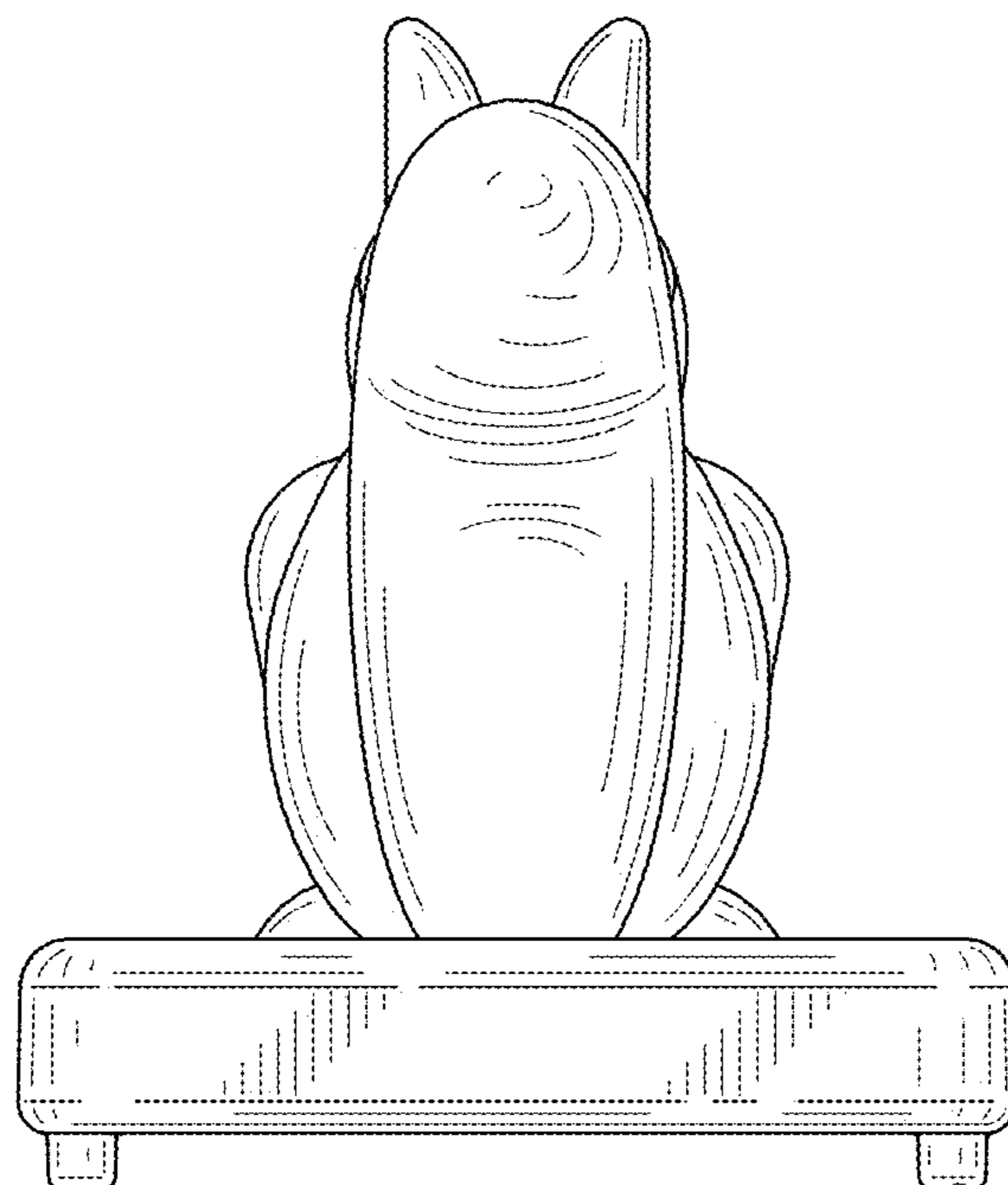


FIG. 12

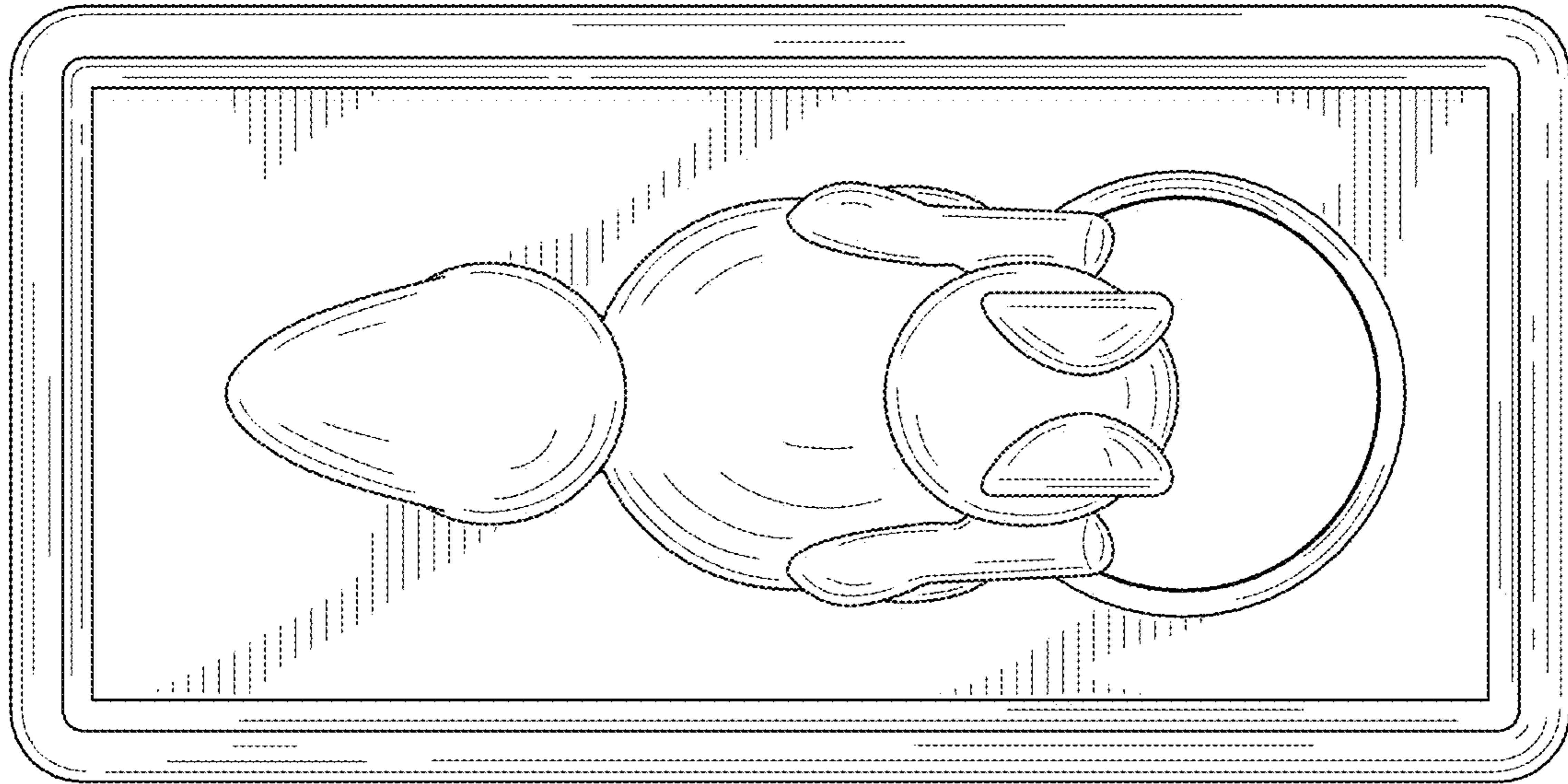


FIG. 13

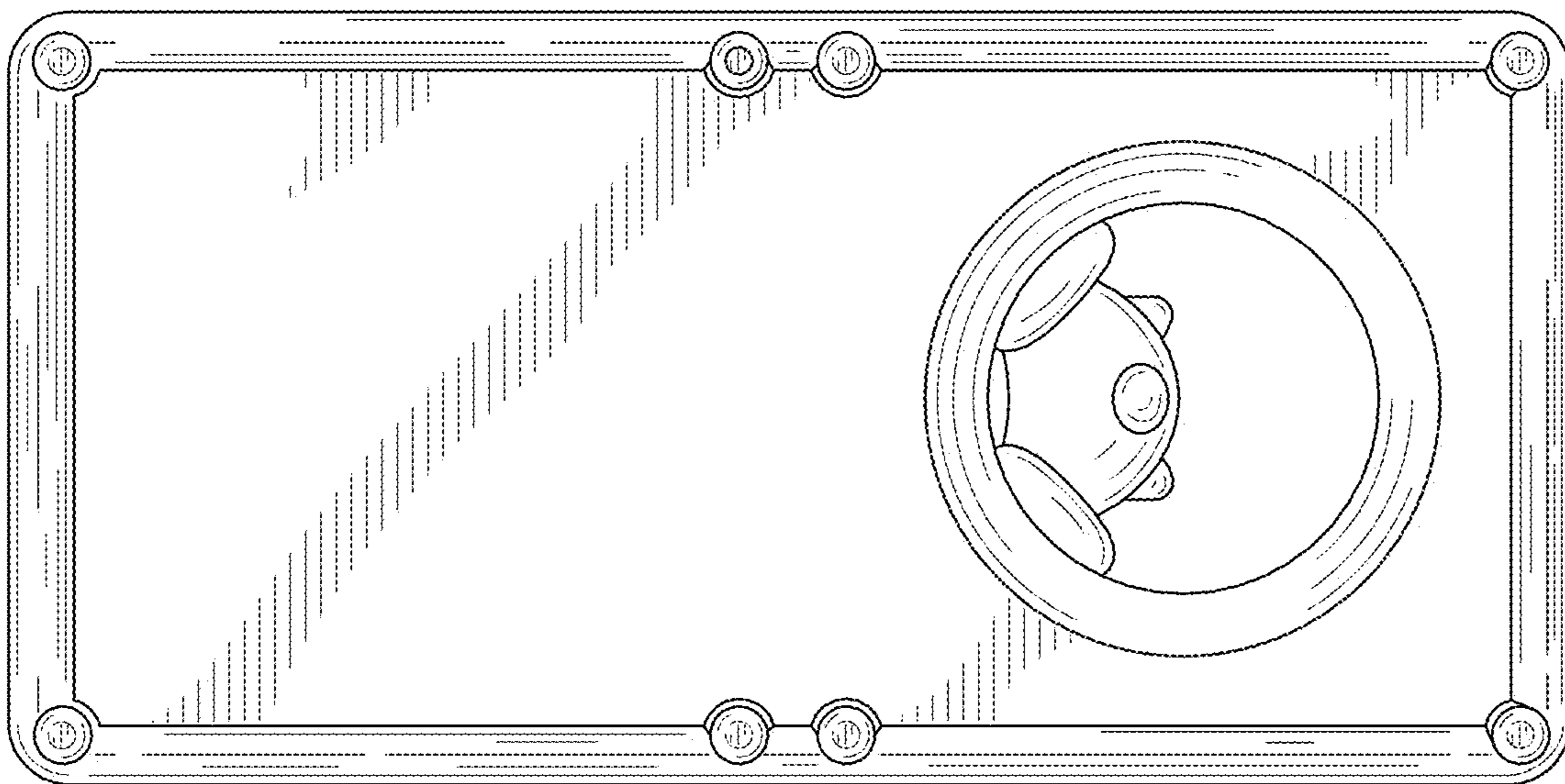


FIG. 14

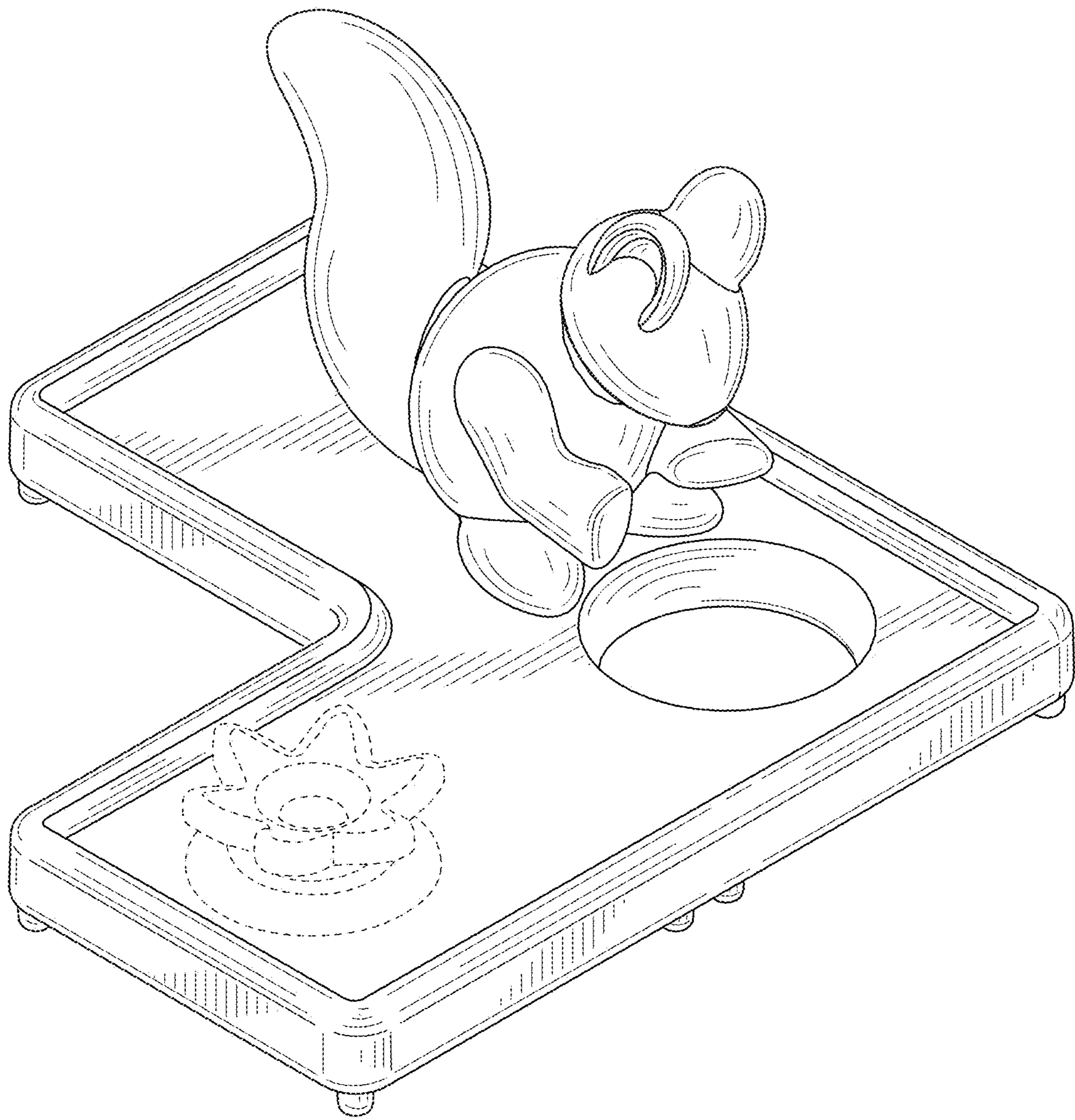


FIG. 15

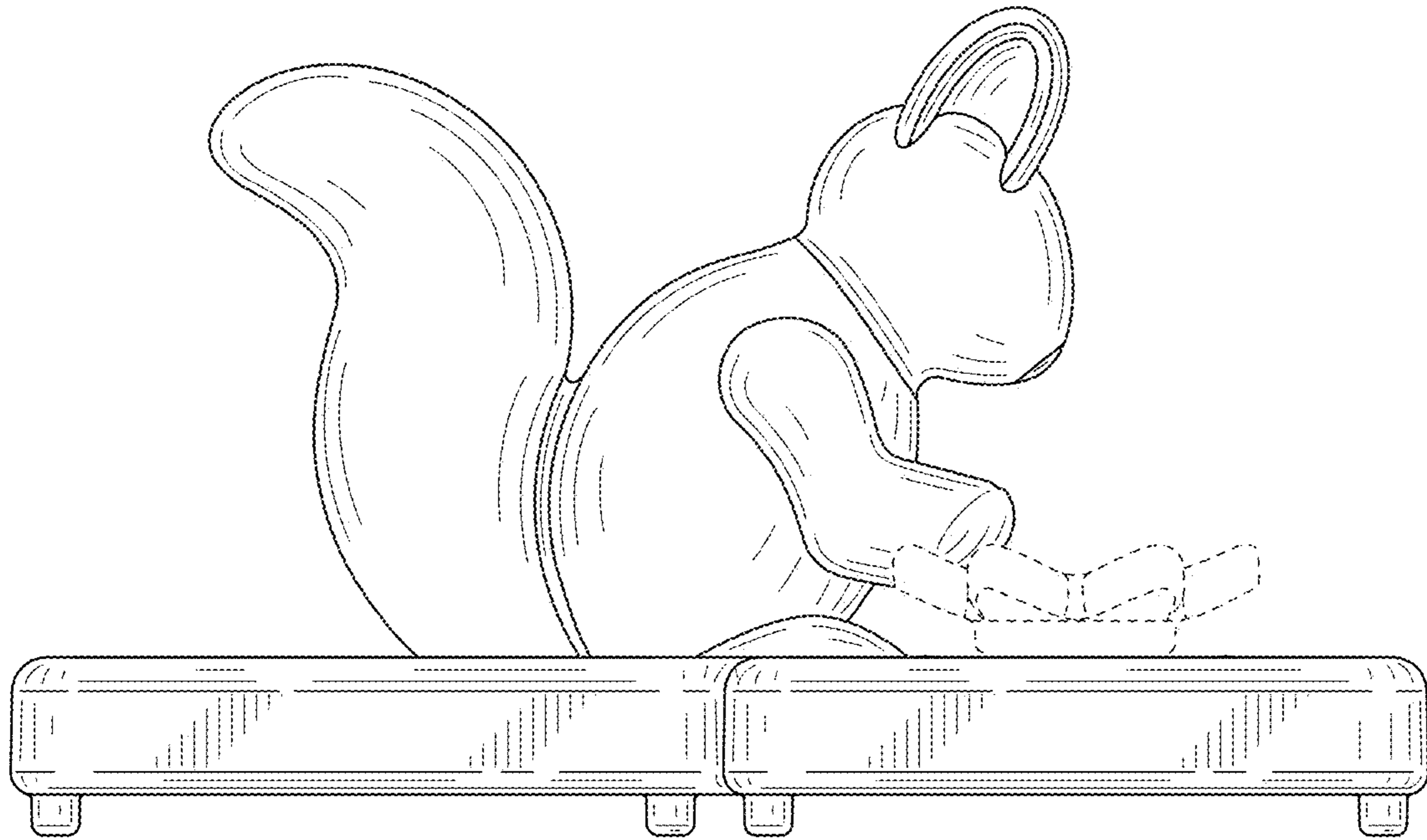


FIG. 16

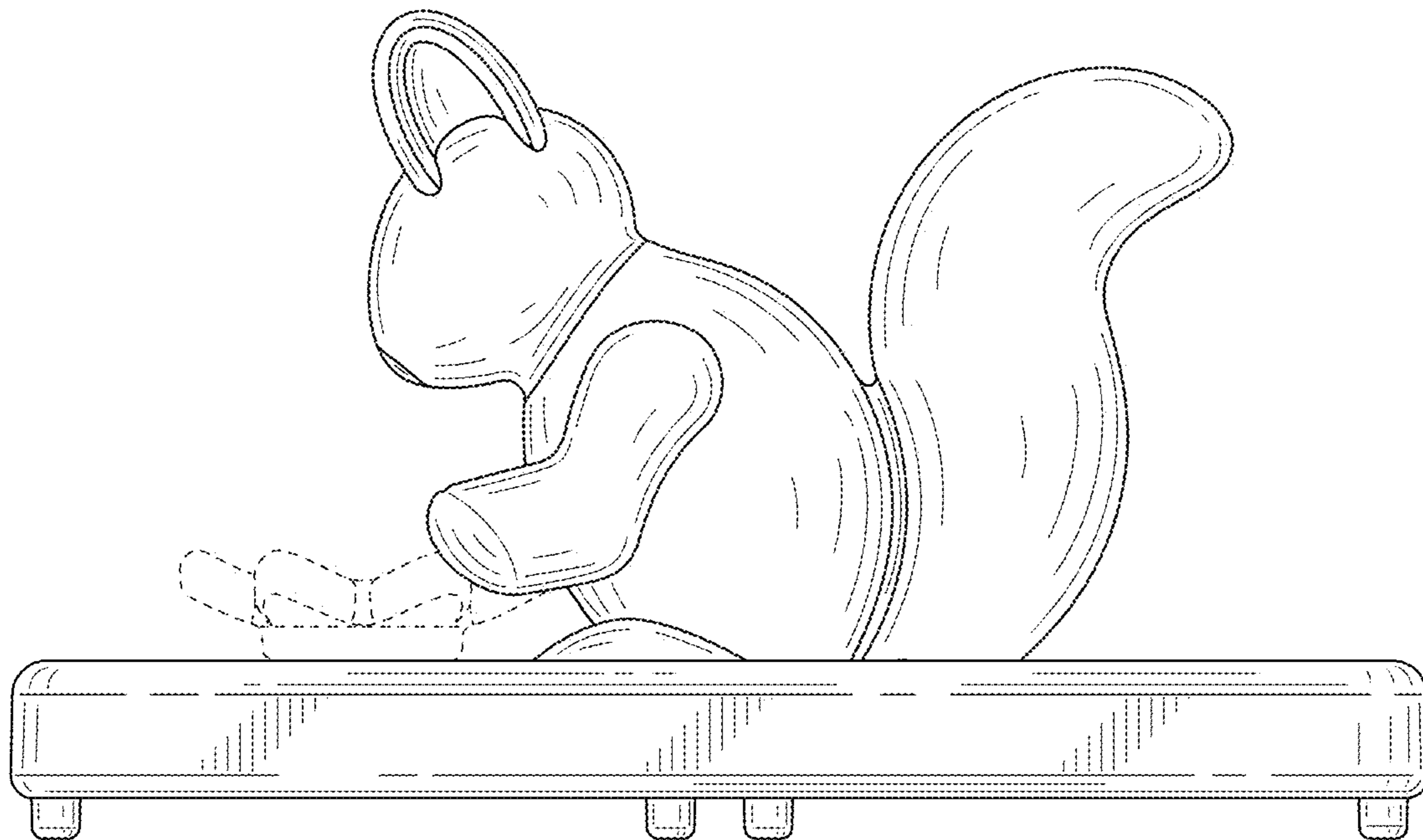


FIG. 17

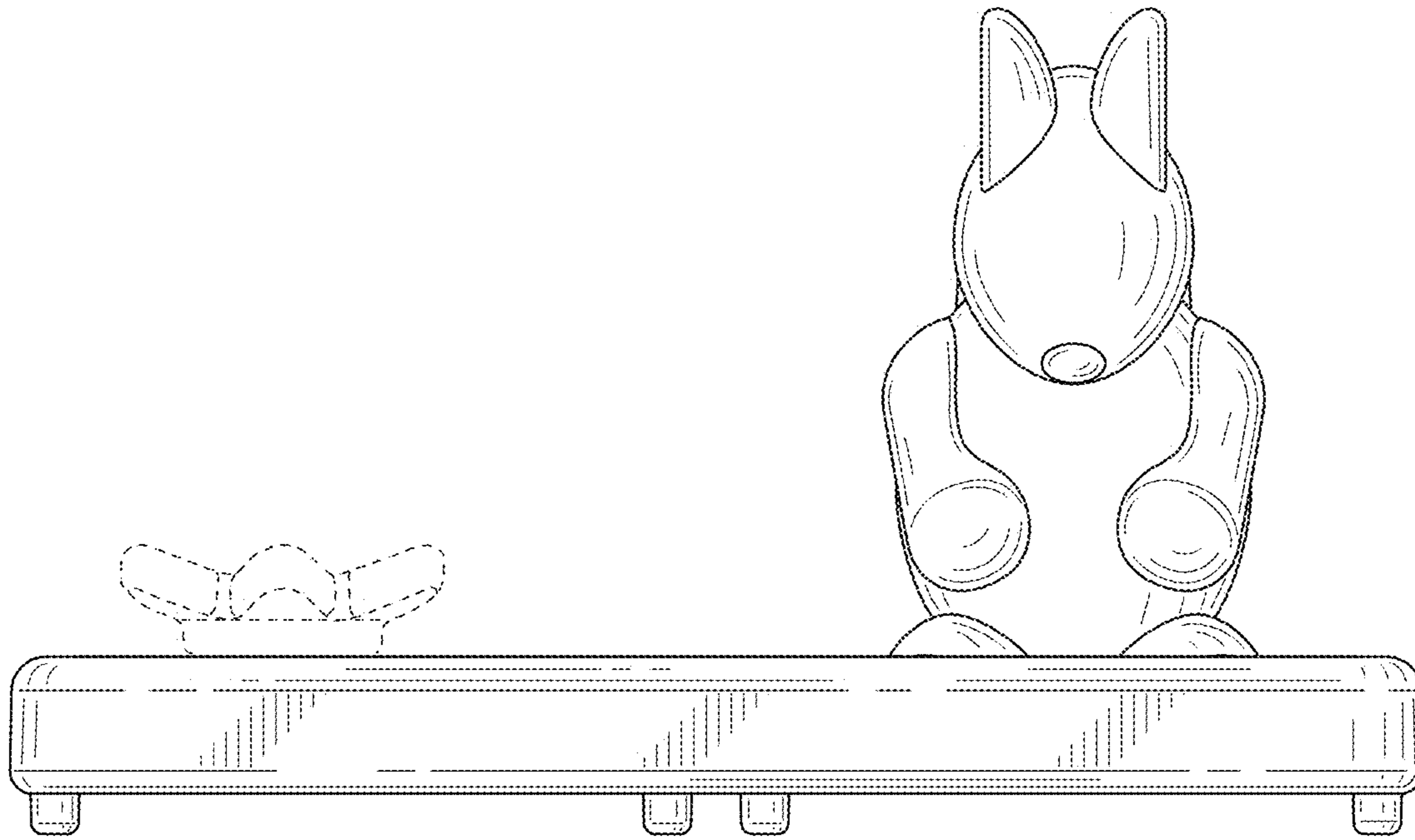


FIG. 18

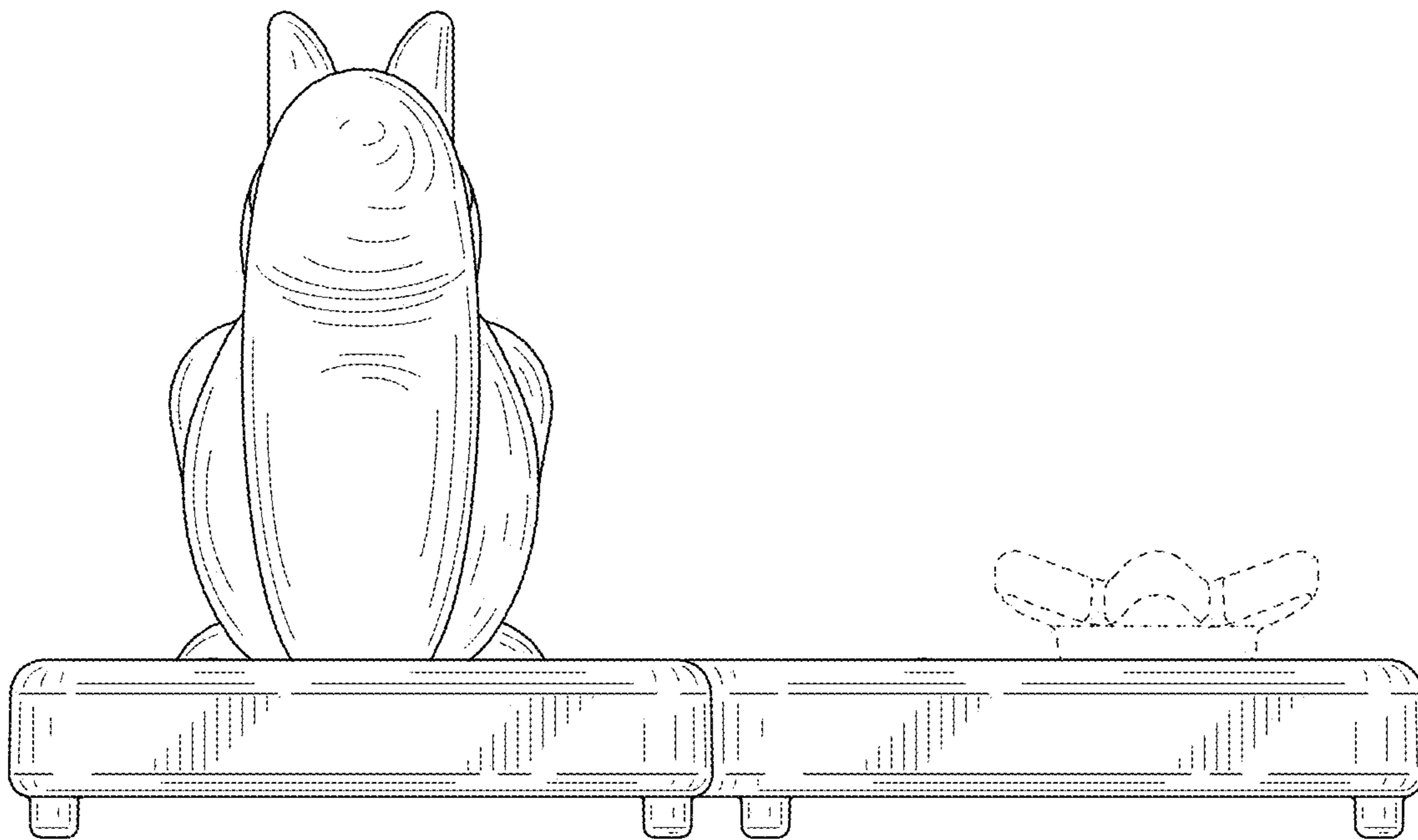


FIG. 19

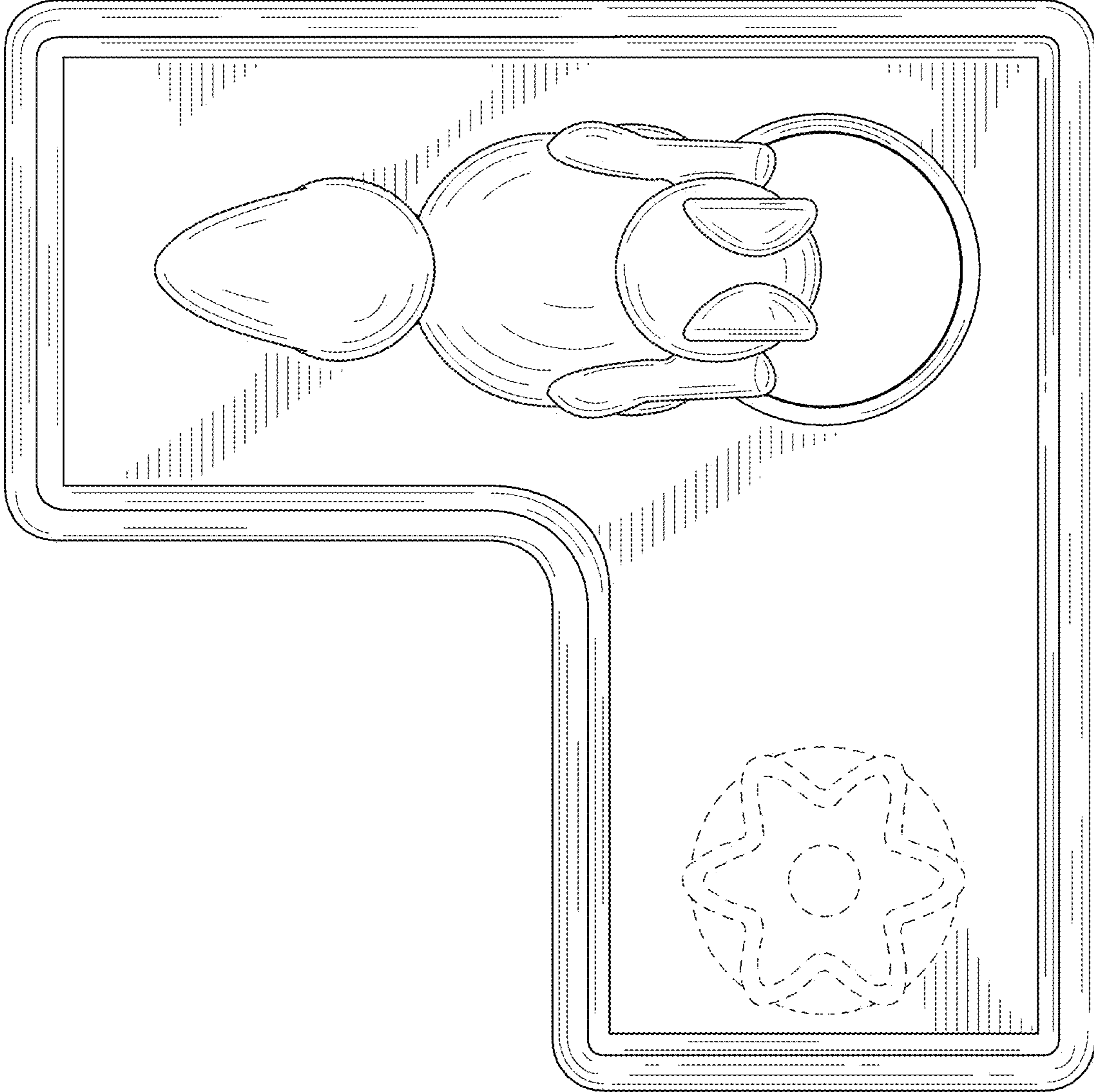


FIG. 20



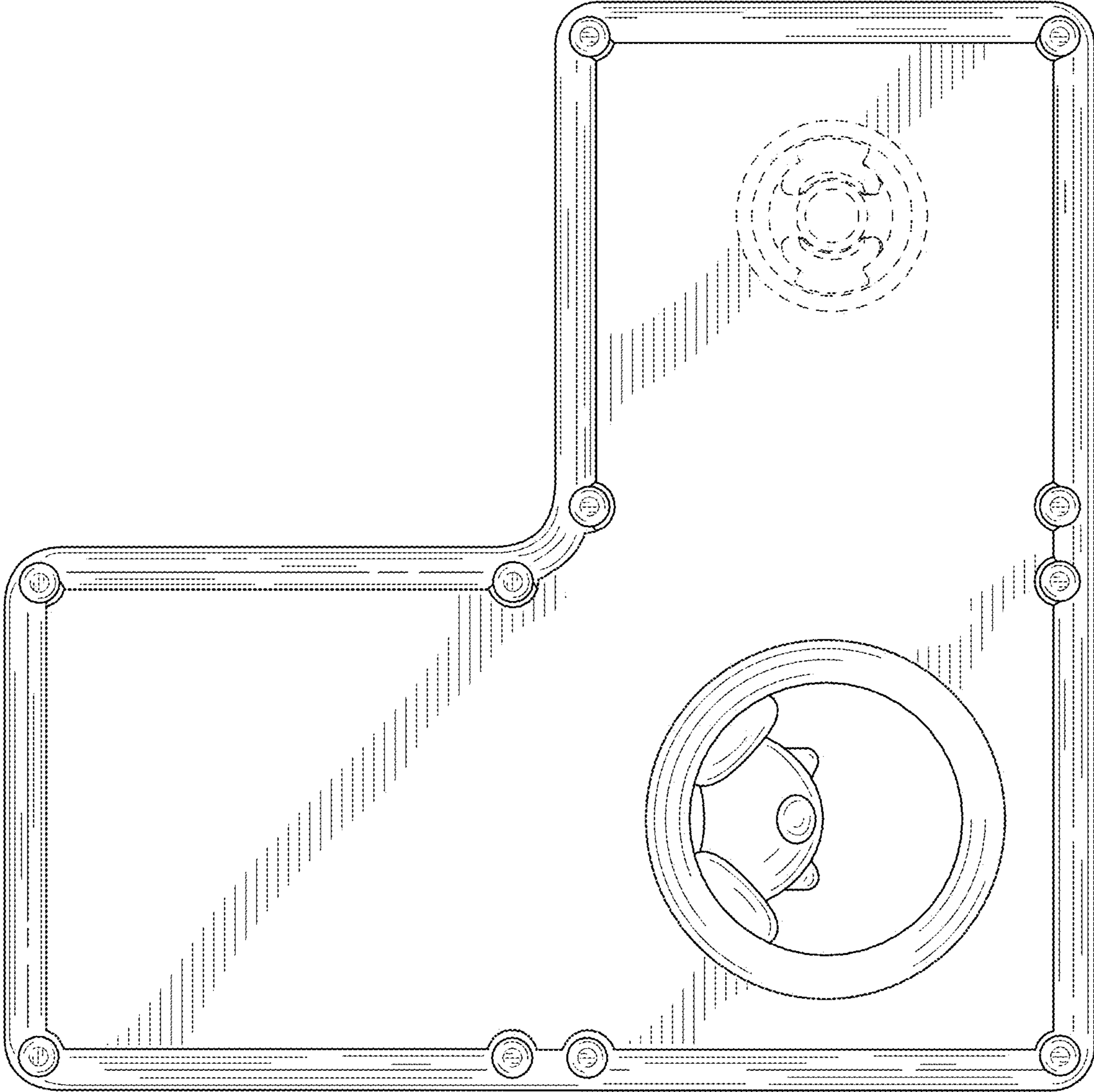


FIG. 21

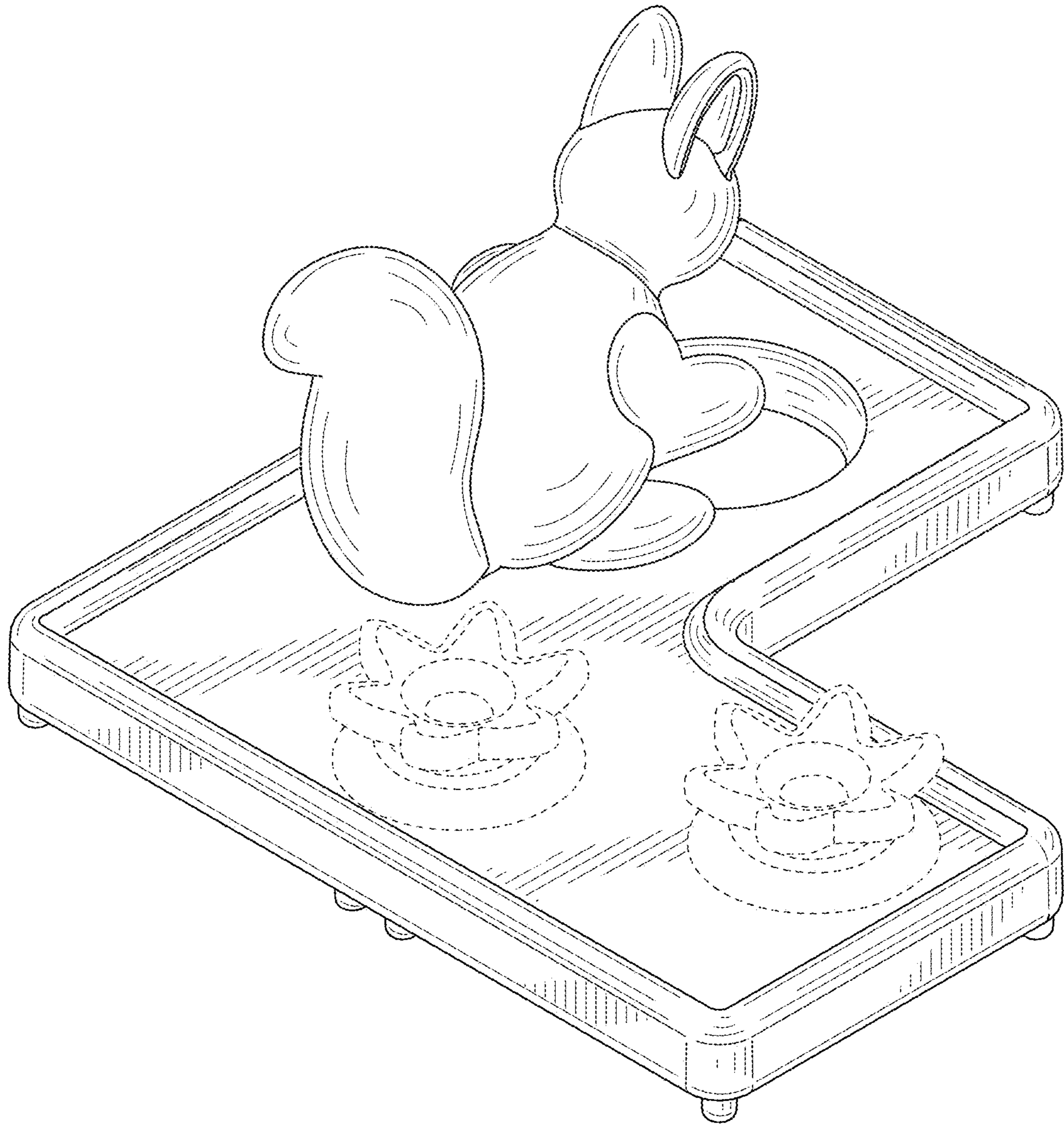


FIG. 22

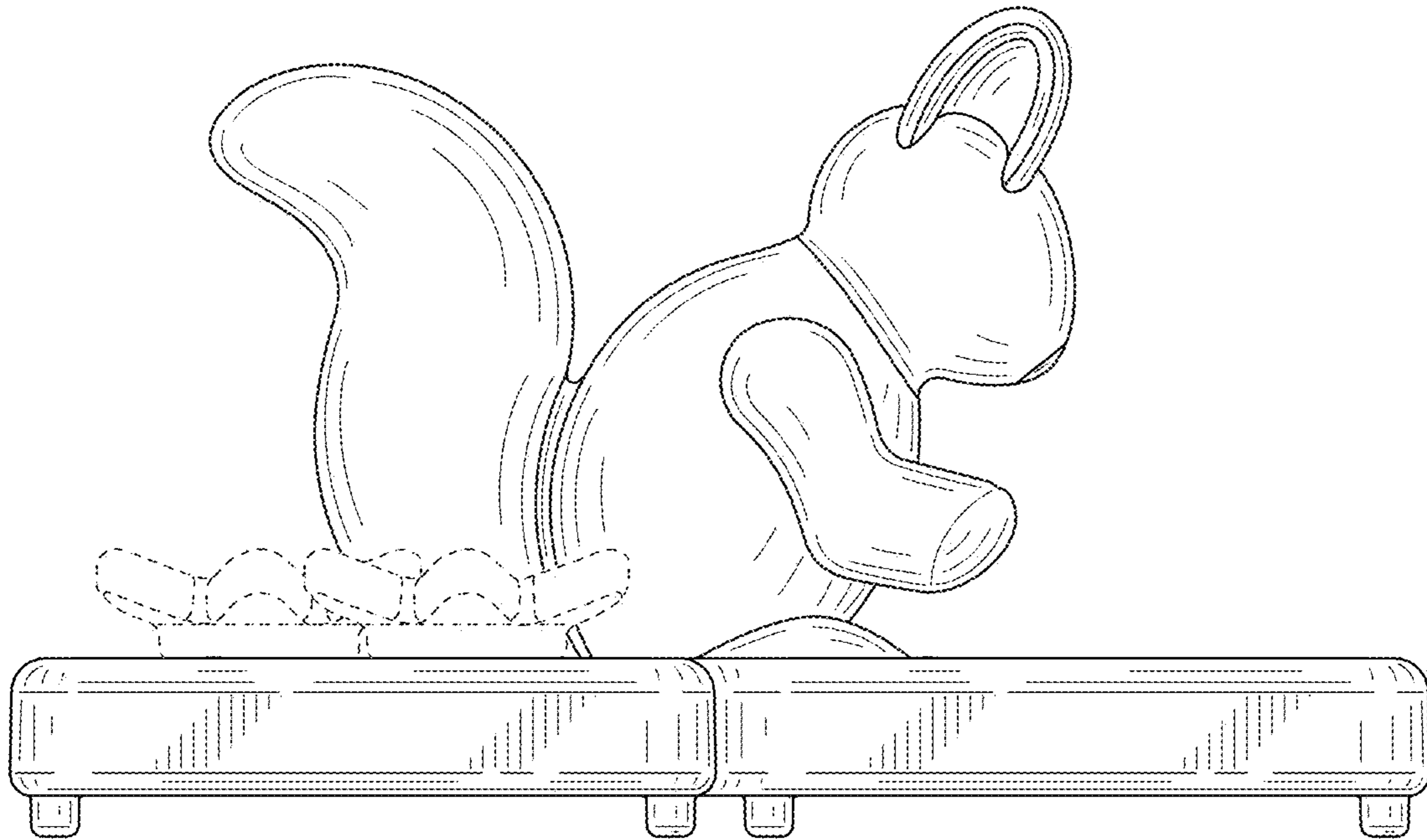


FIG. 23

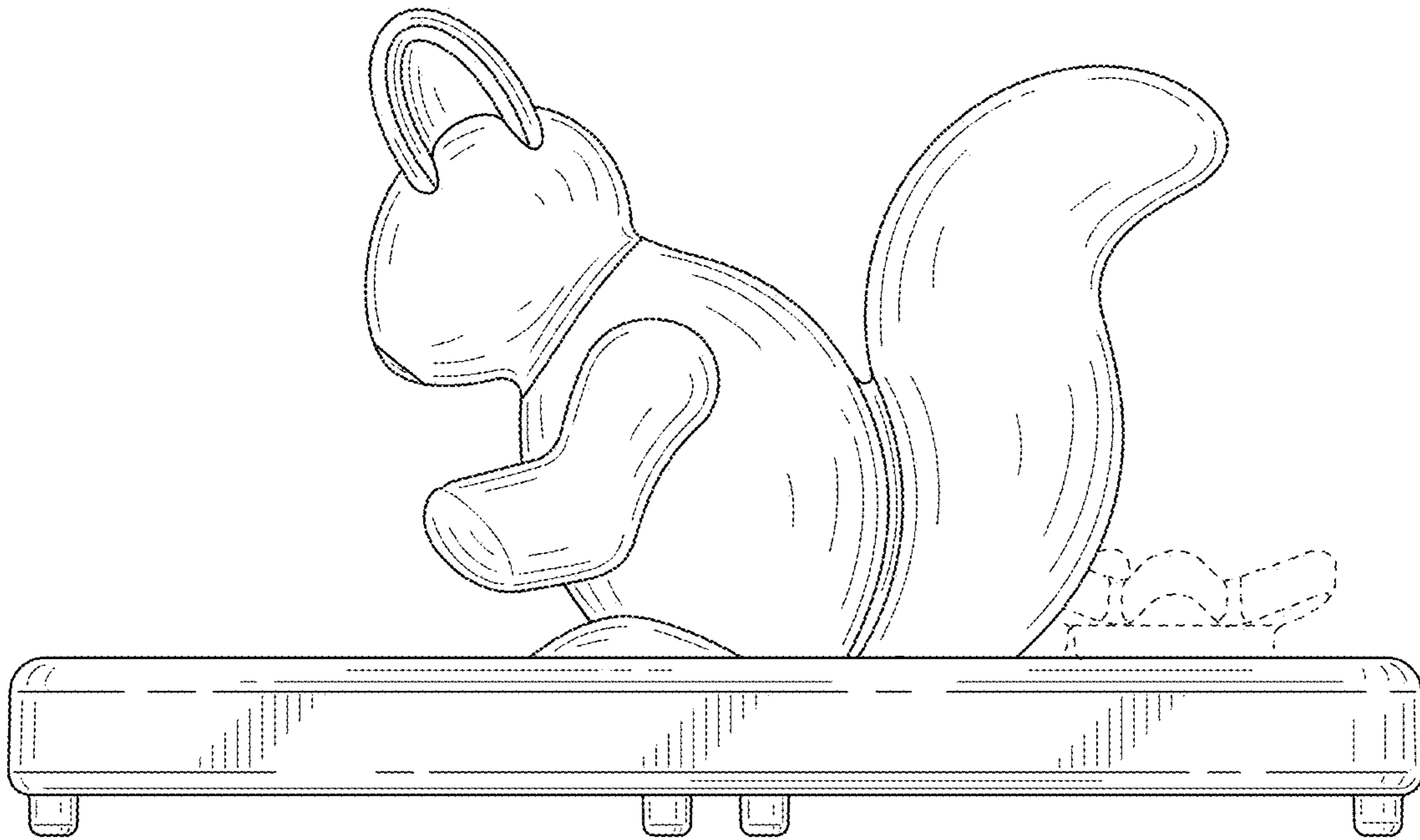


FIG. 24

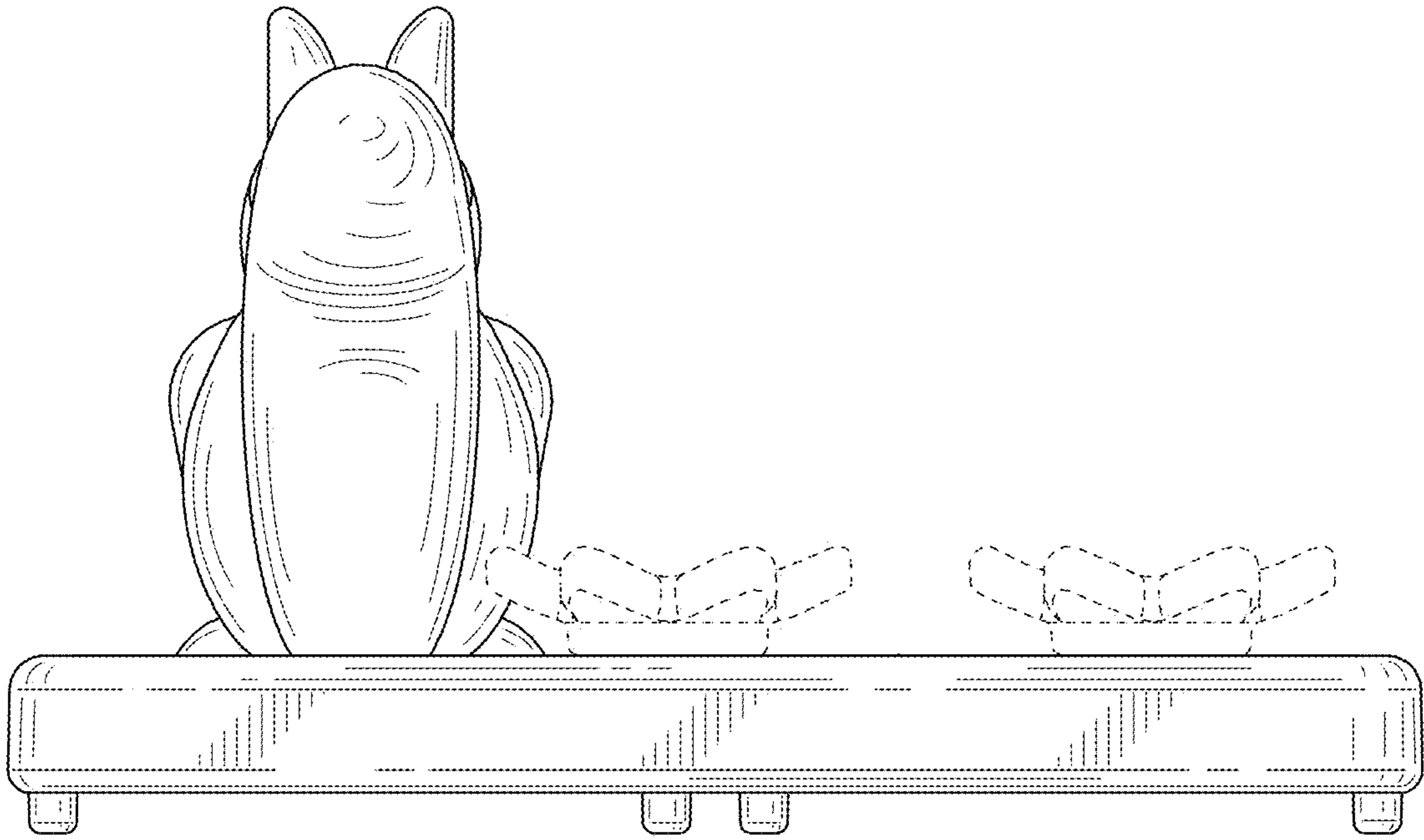


FIG. 25

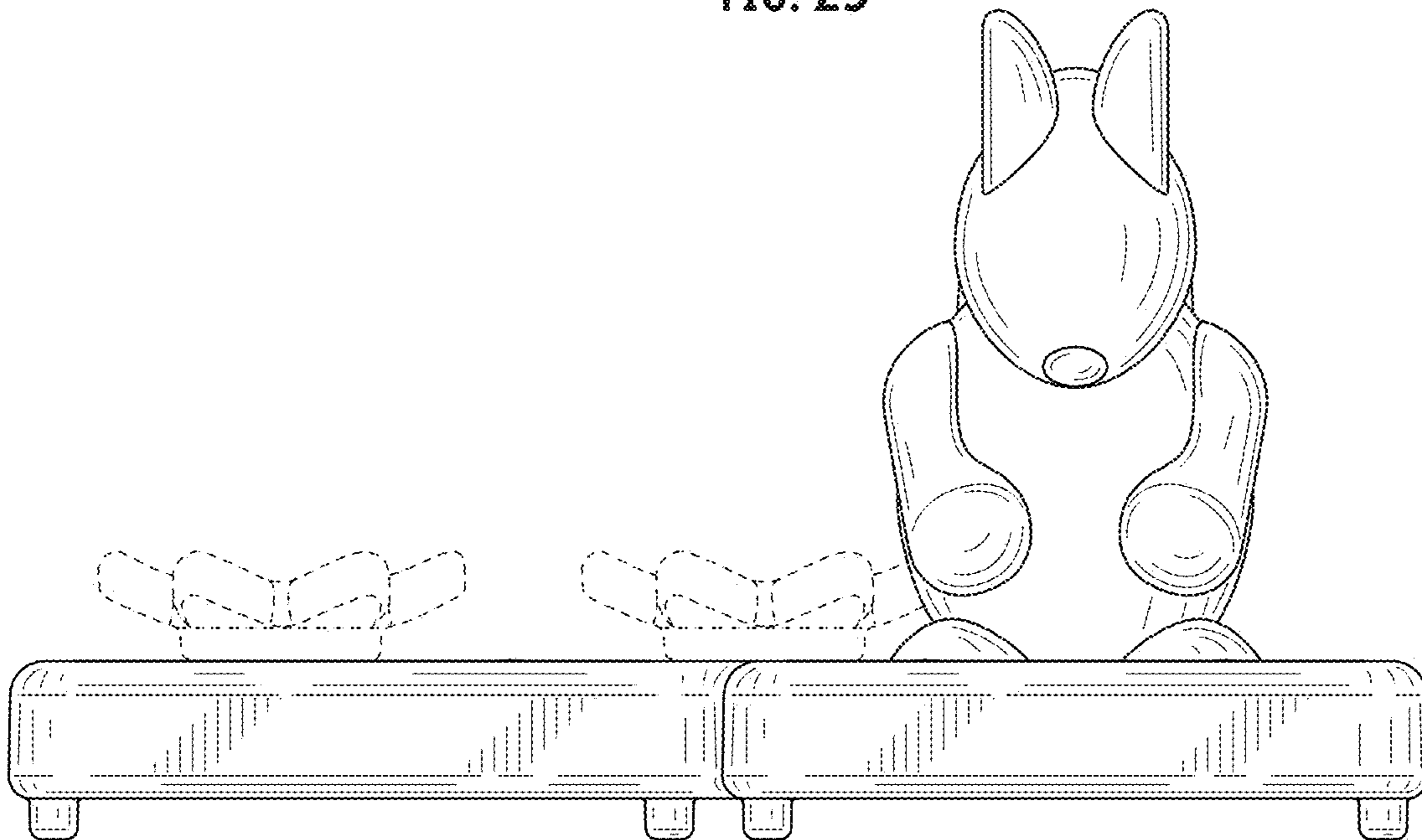


FIG. 26

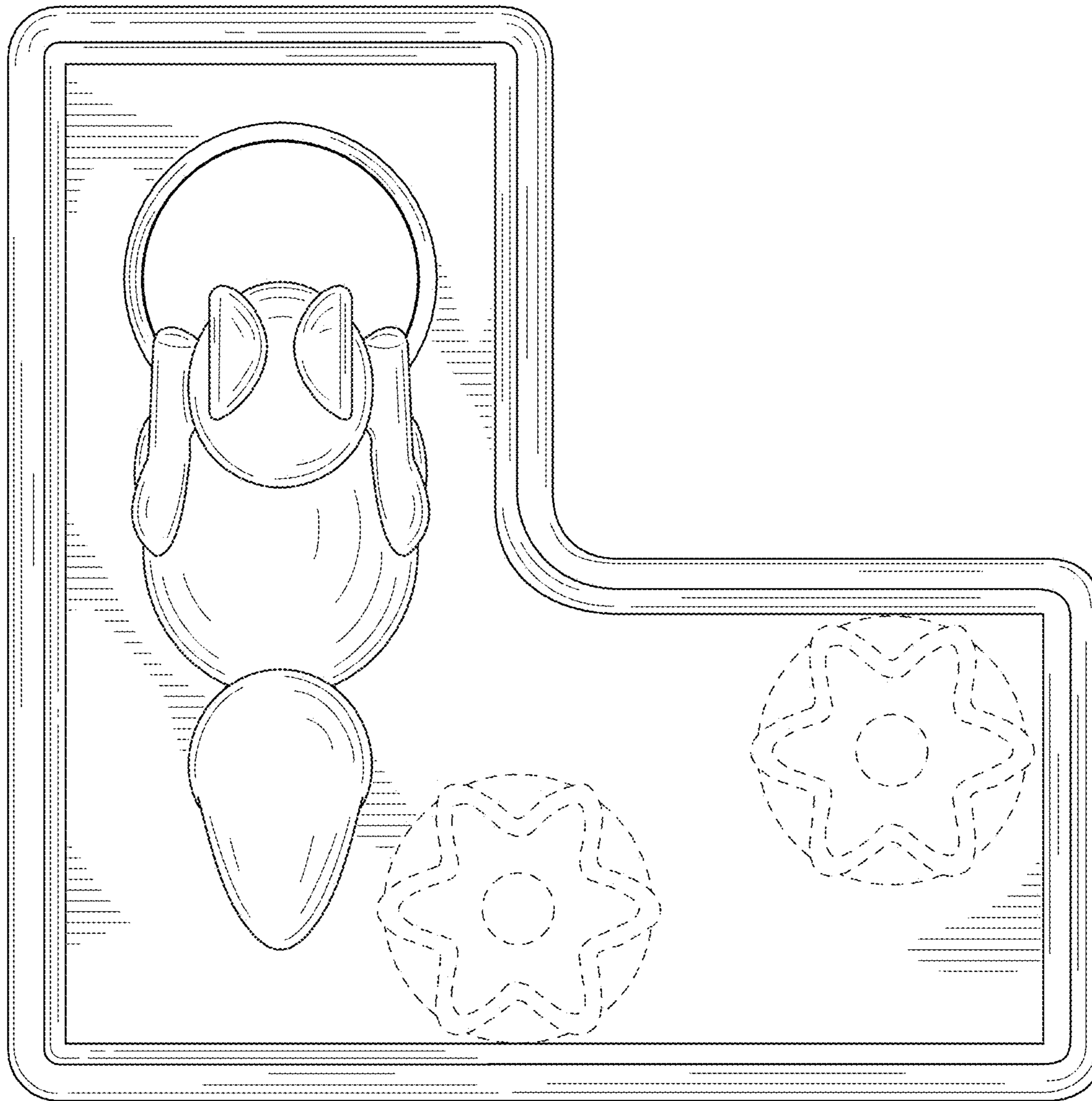


FIG. 27

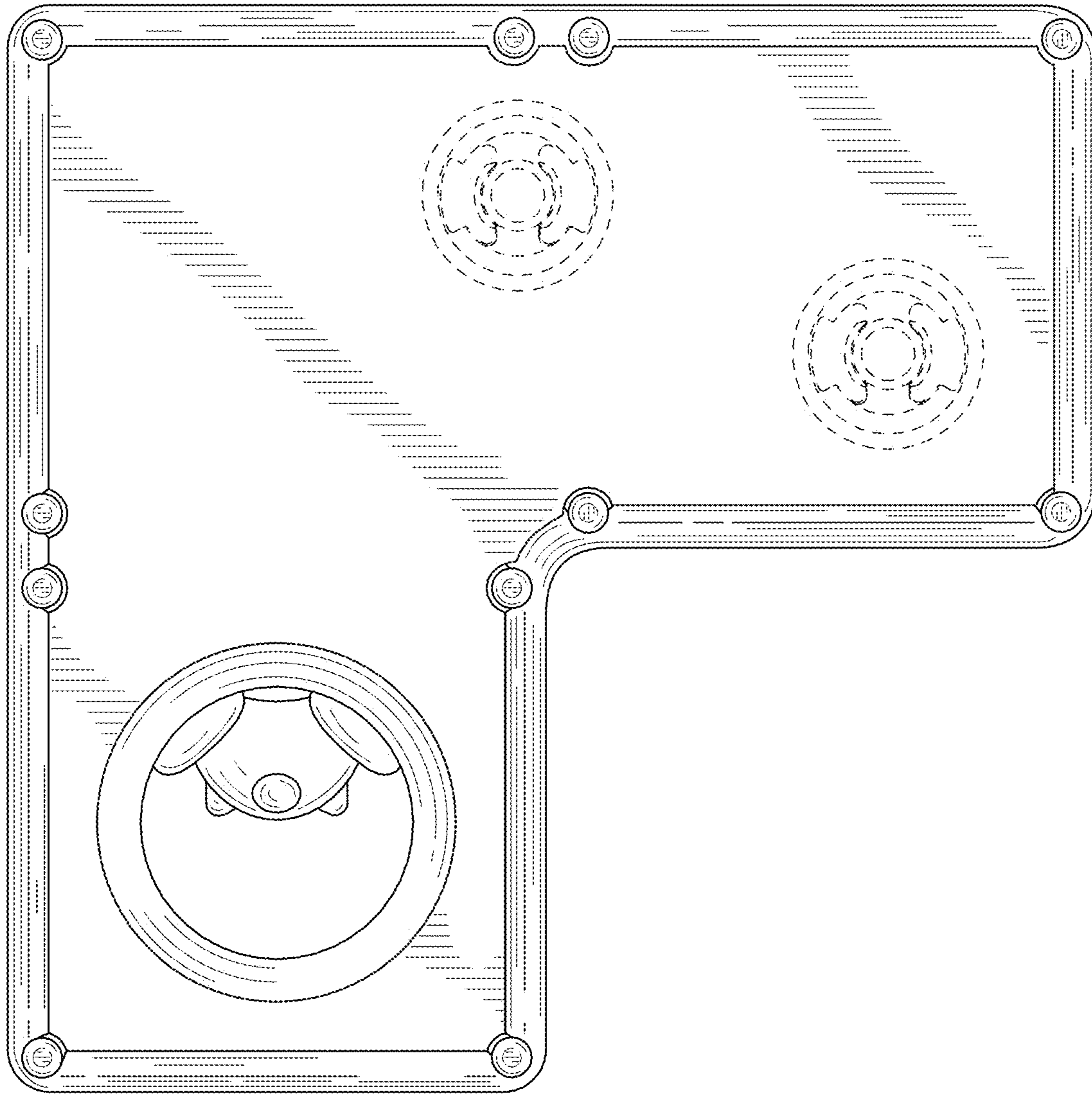


FIG. 28

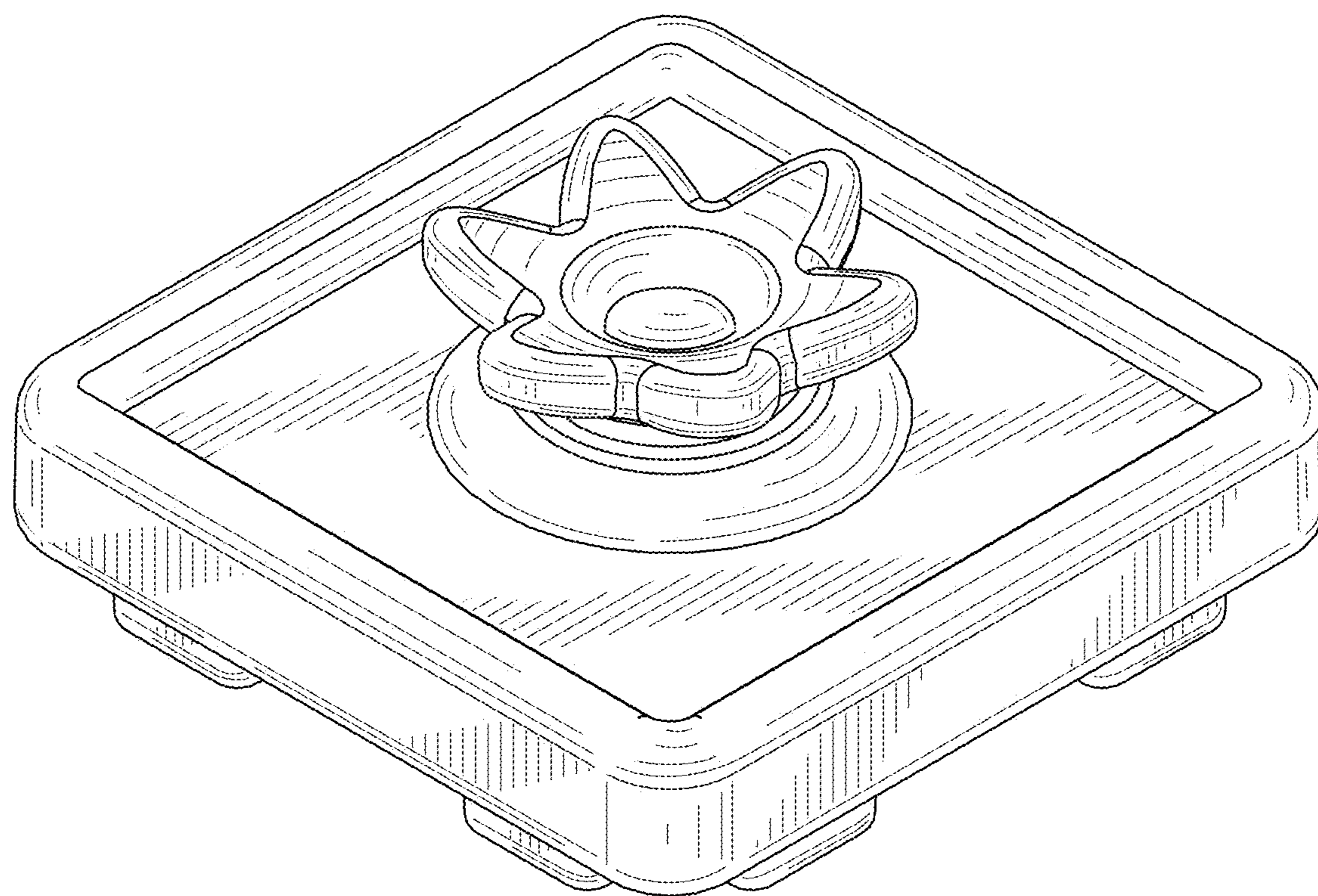


FIG. 29

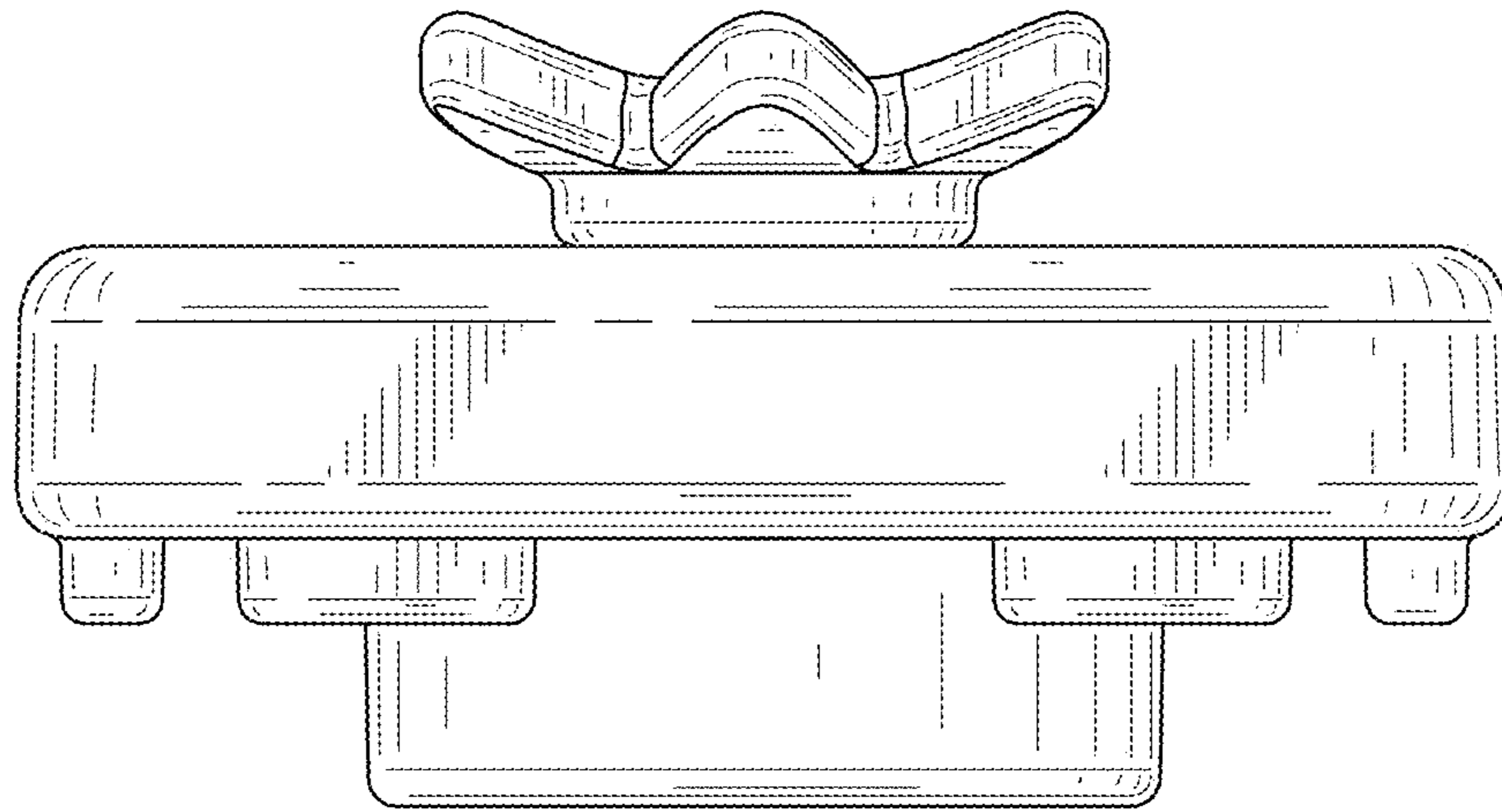


FIG. 30

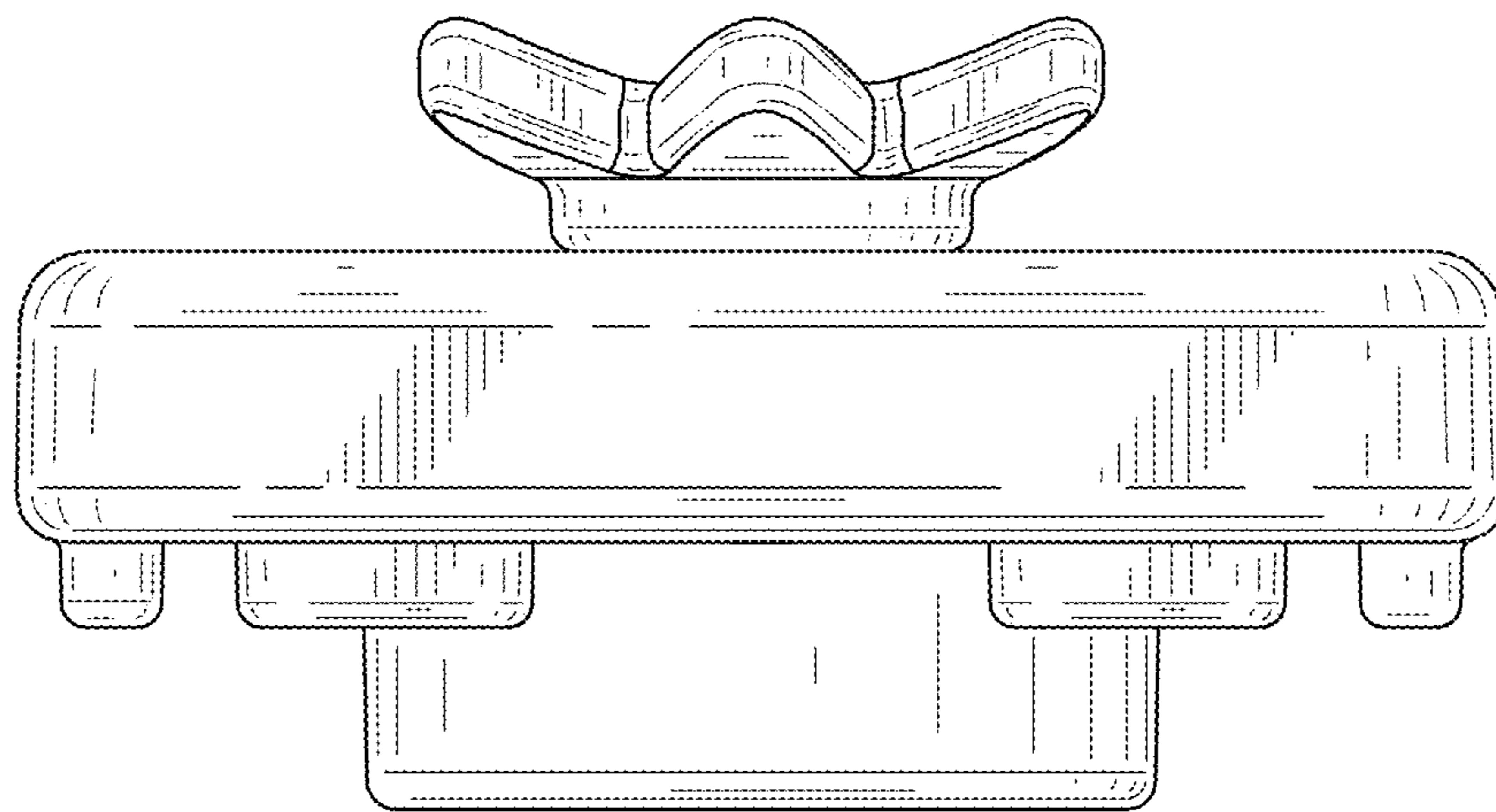


FIG. 31



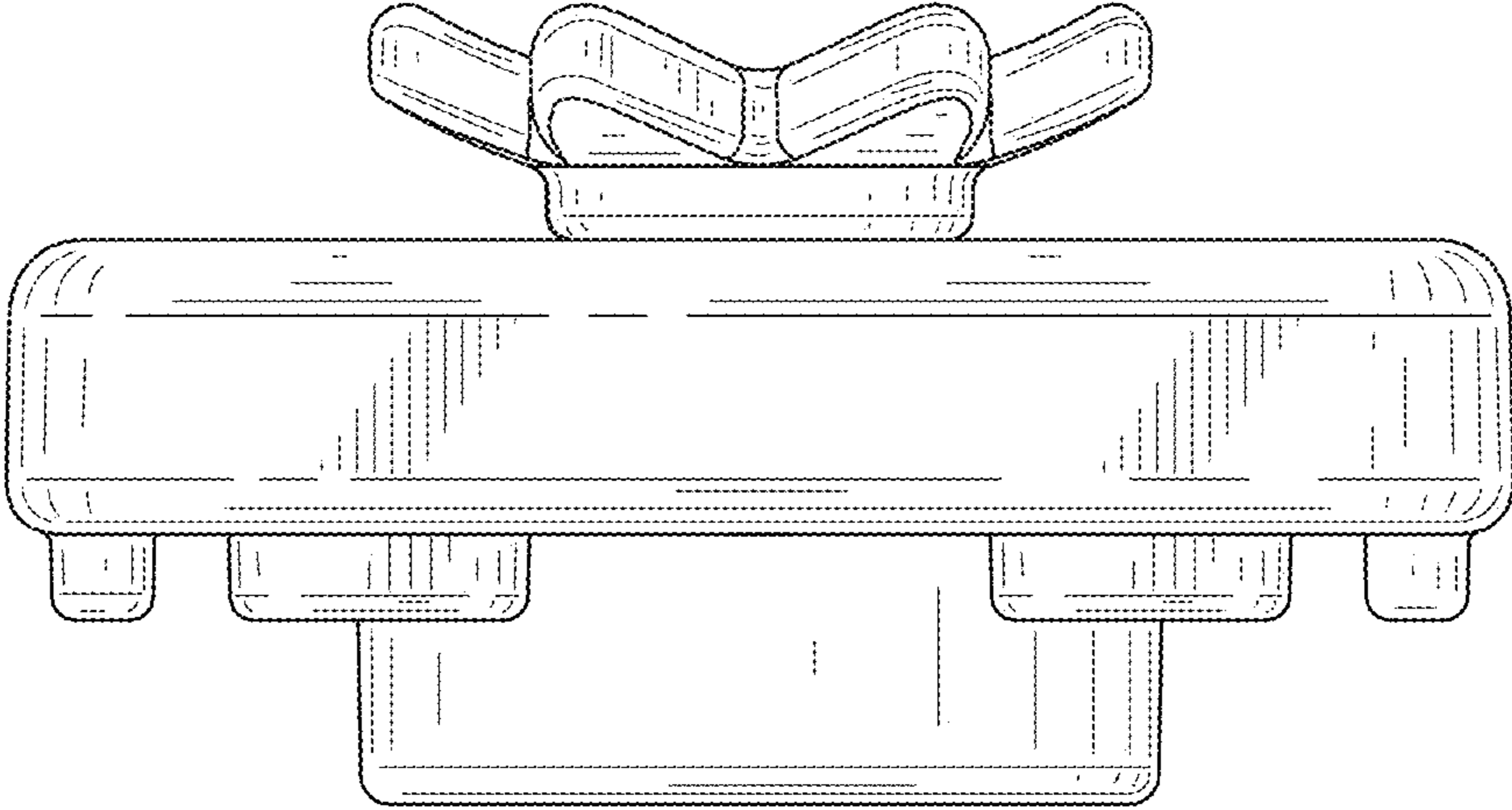


FIG. 32

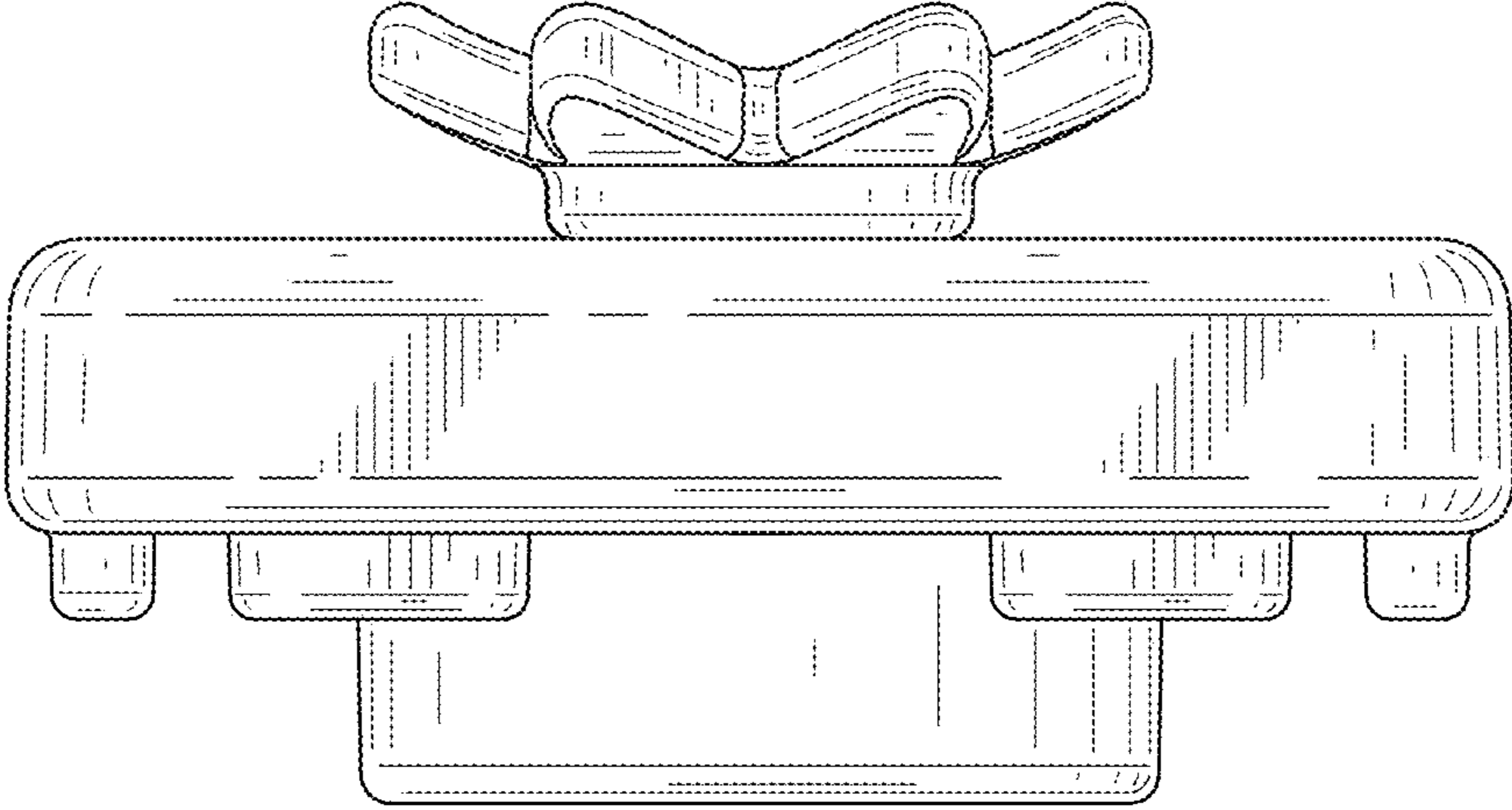


FIG. 33

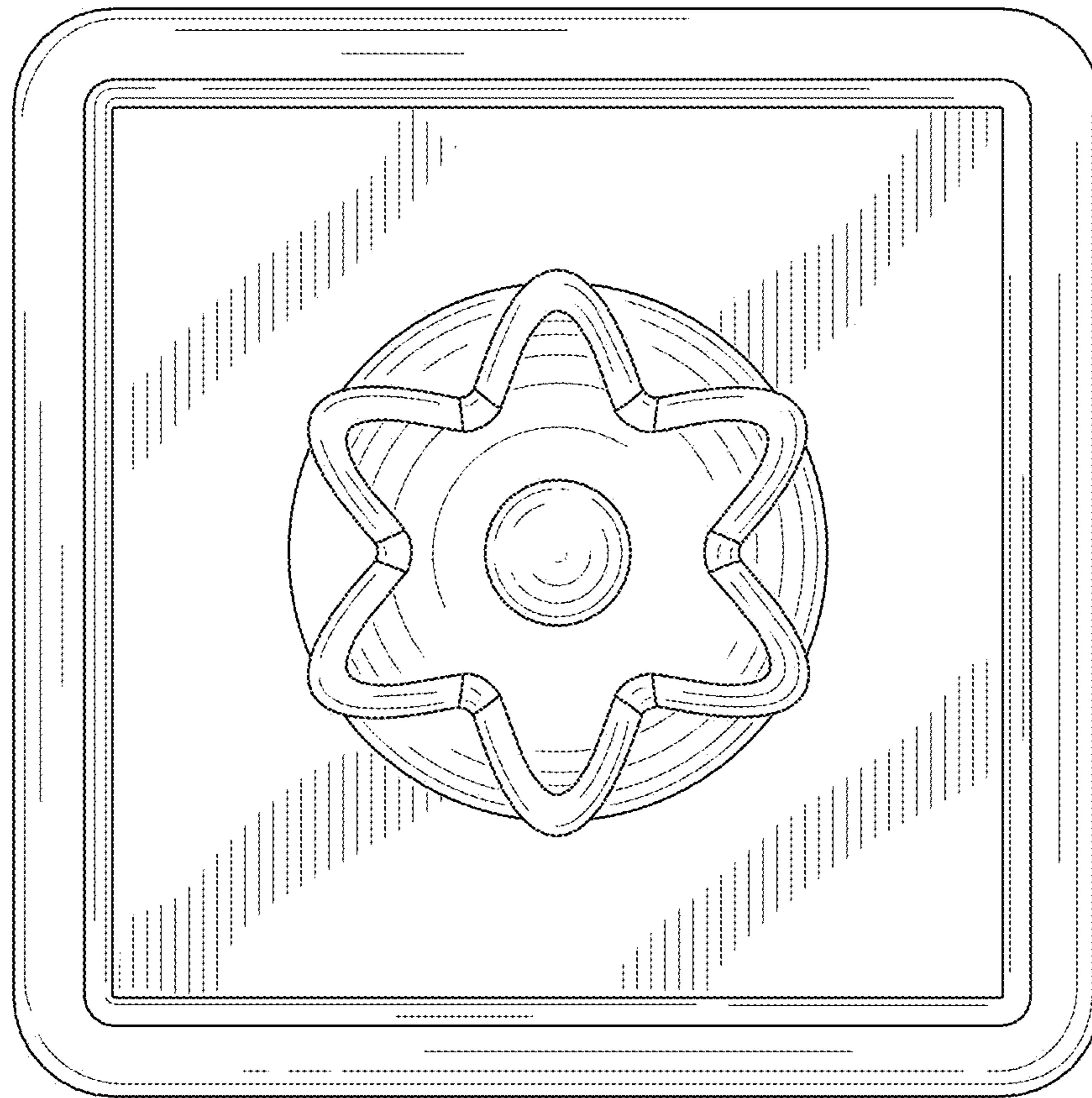


FIG. 34

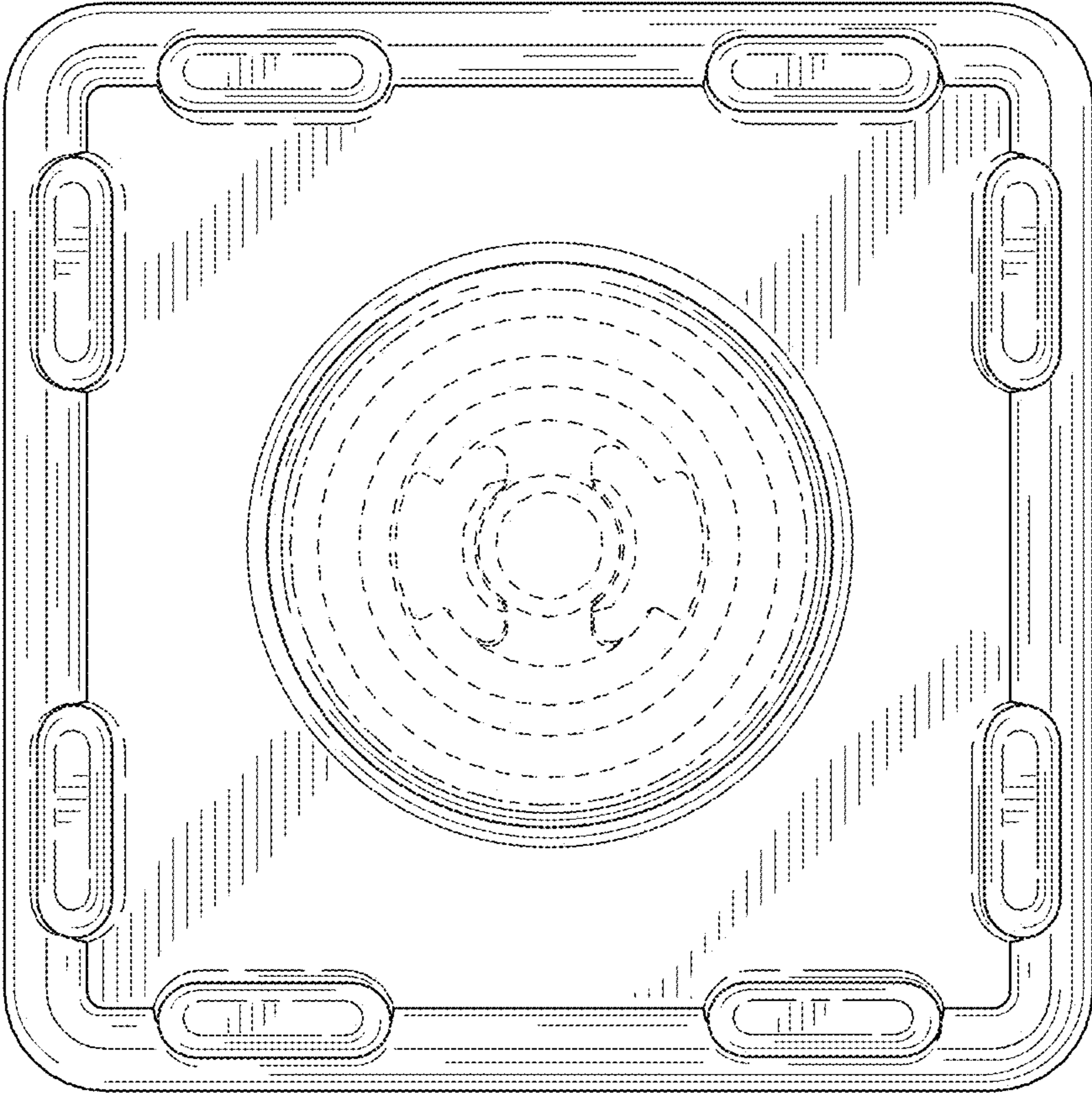


FIG. 35

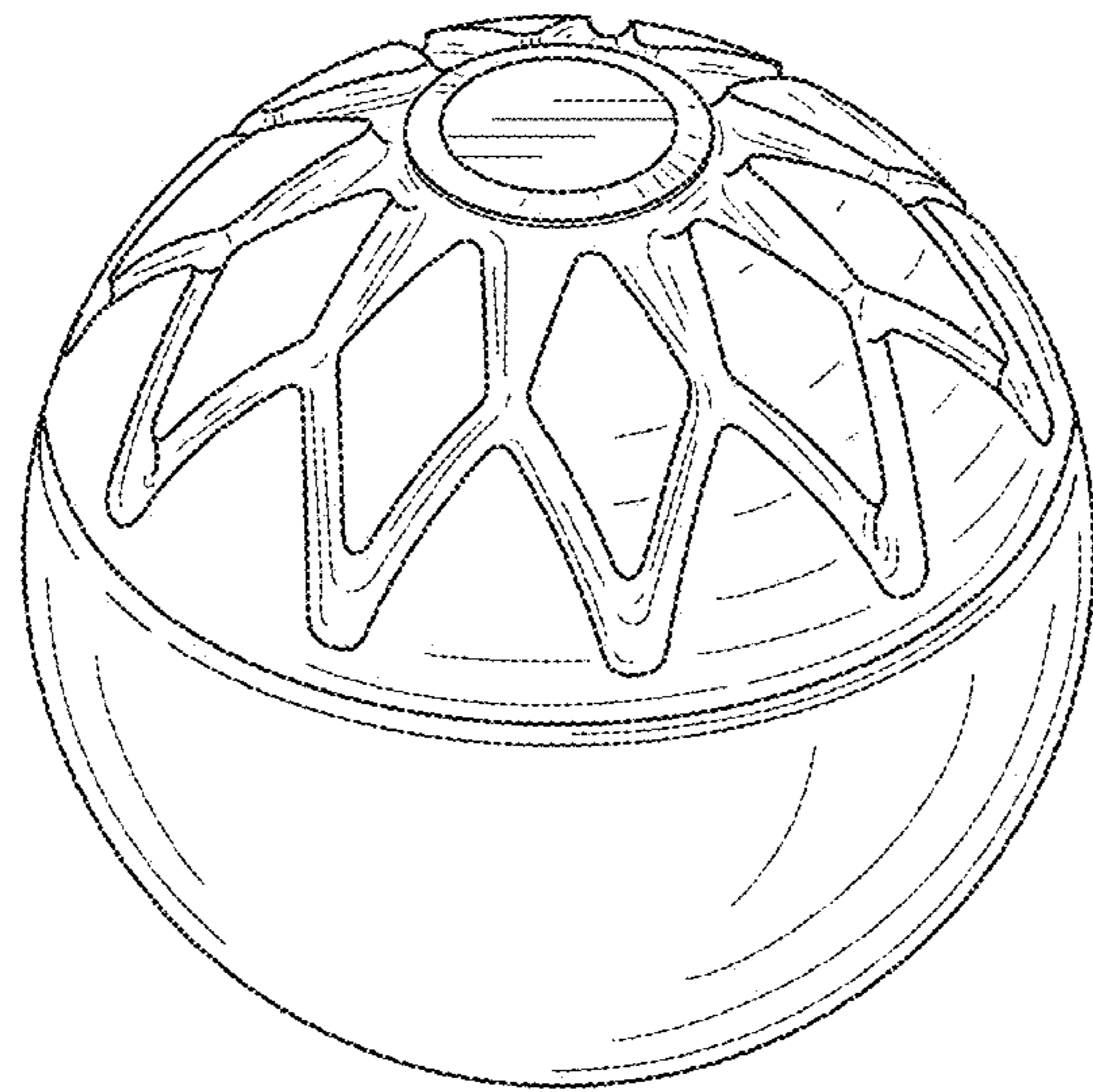


FIG. 36

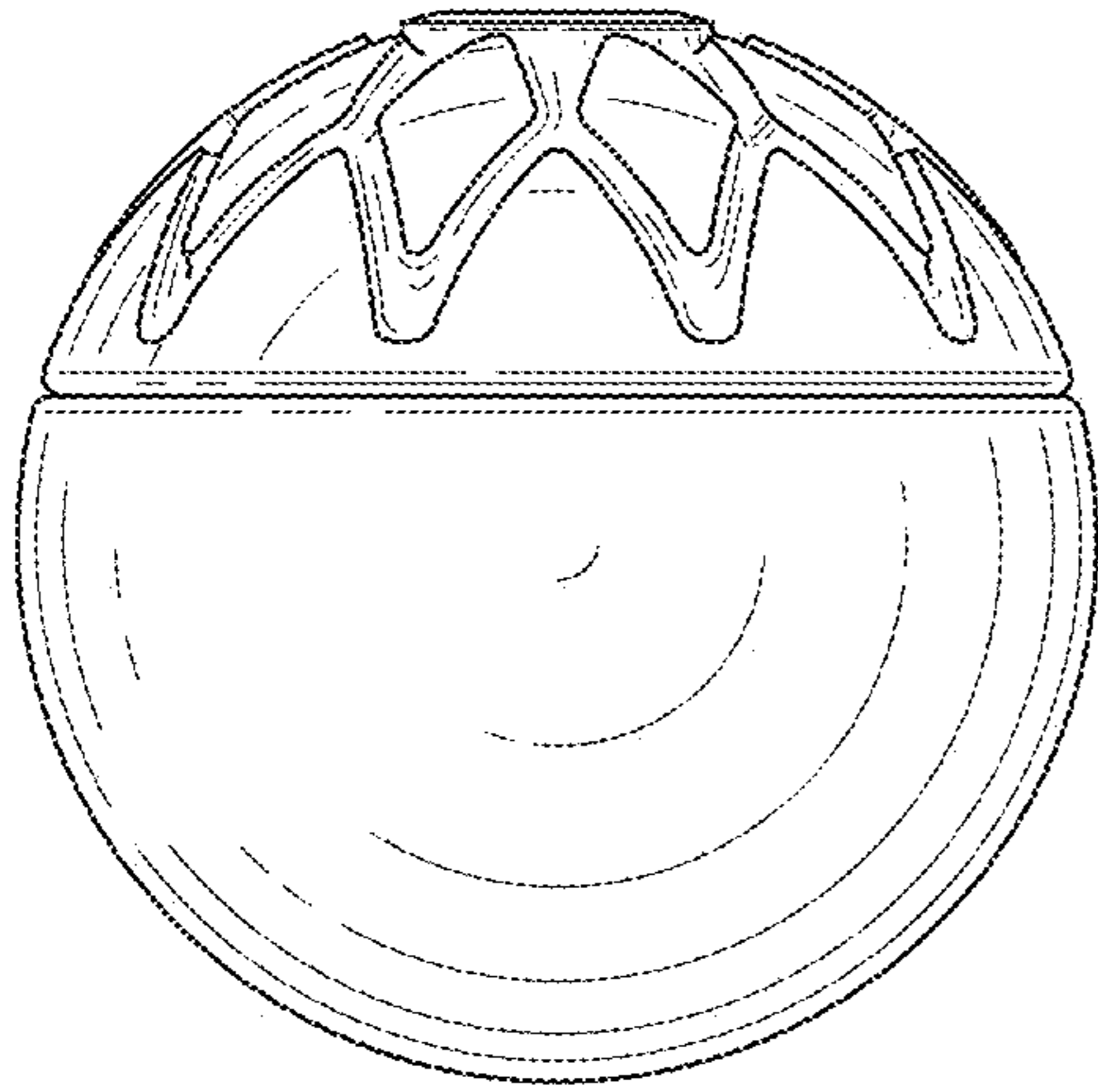


FIG. 37

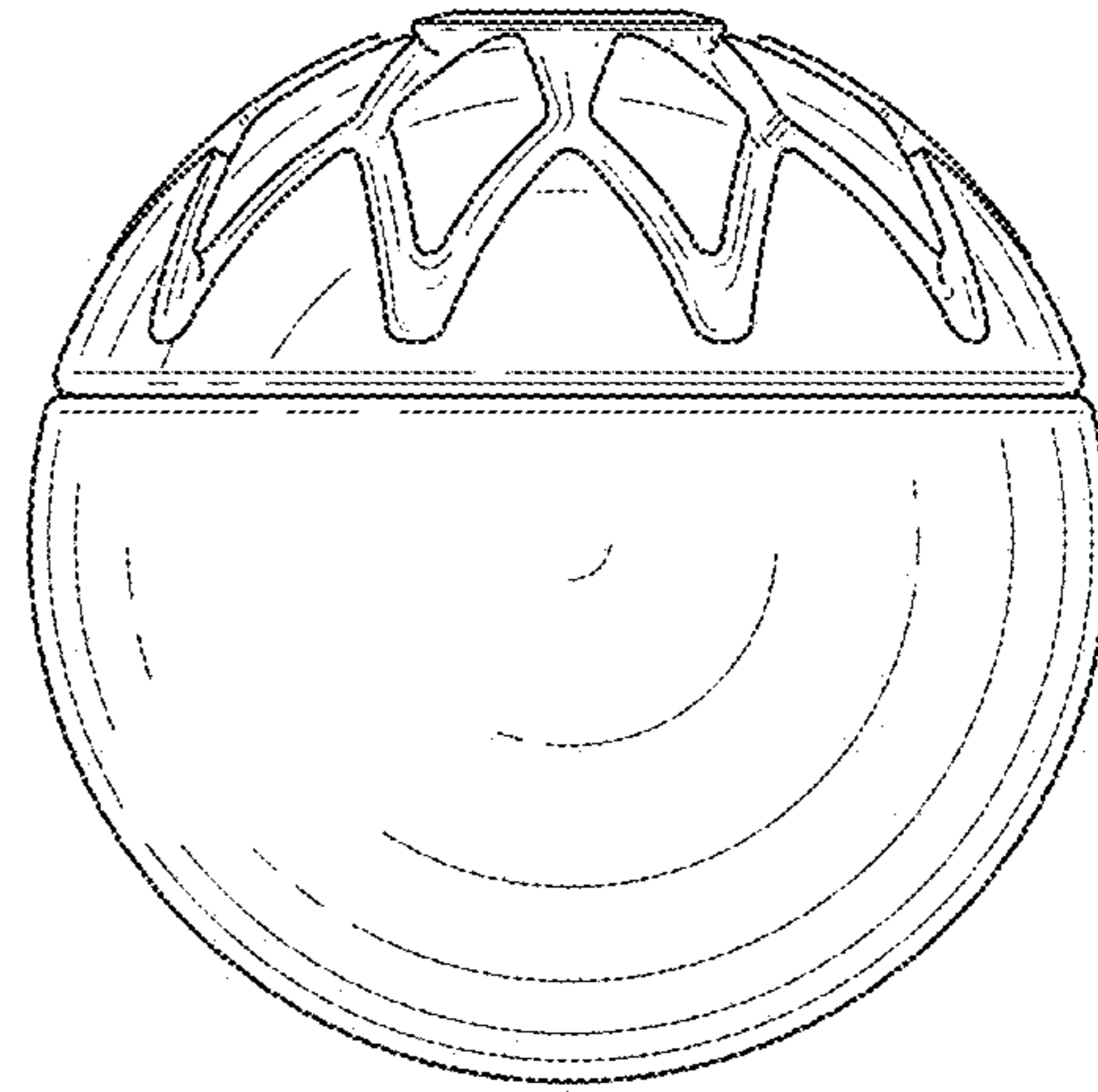


FIG. 38

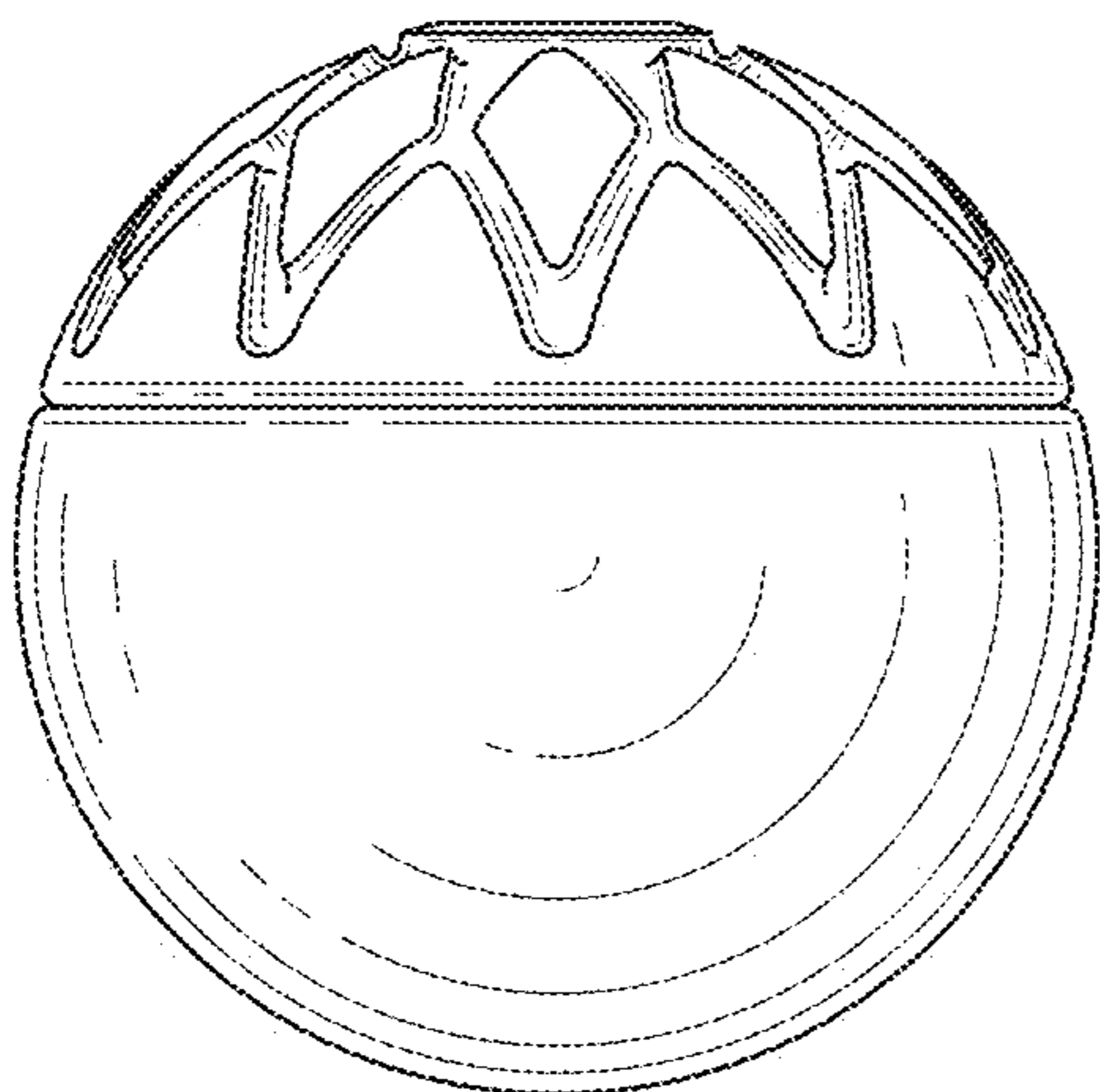


FIG. 39

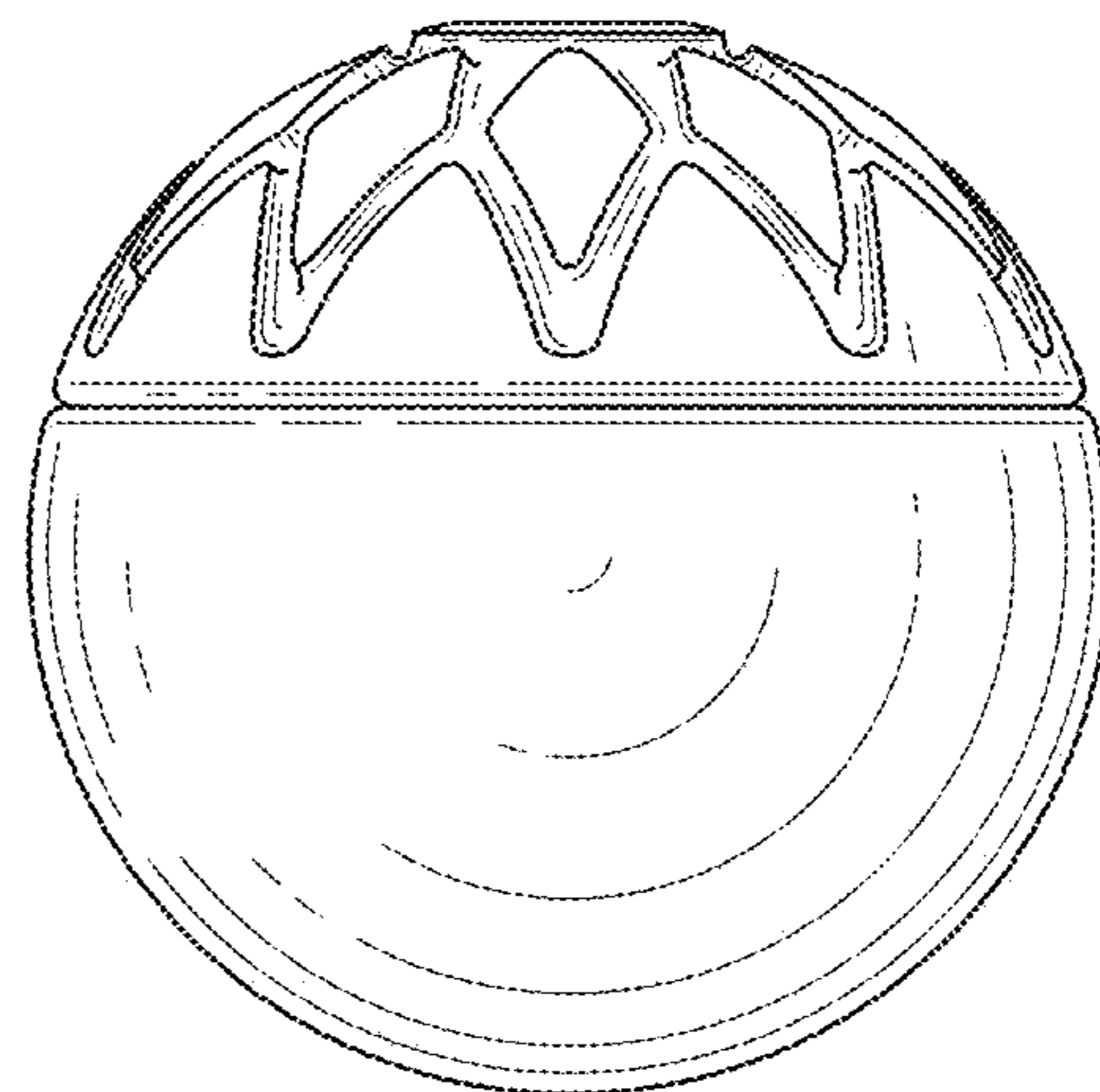


FIG. 40

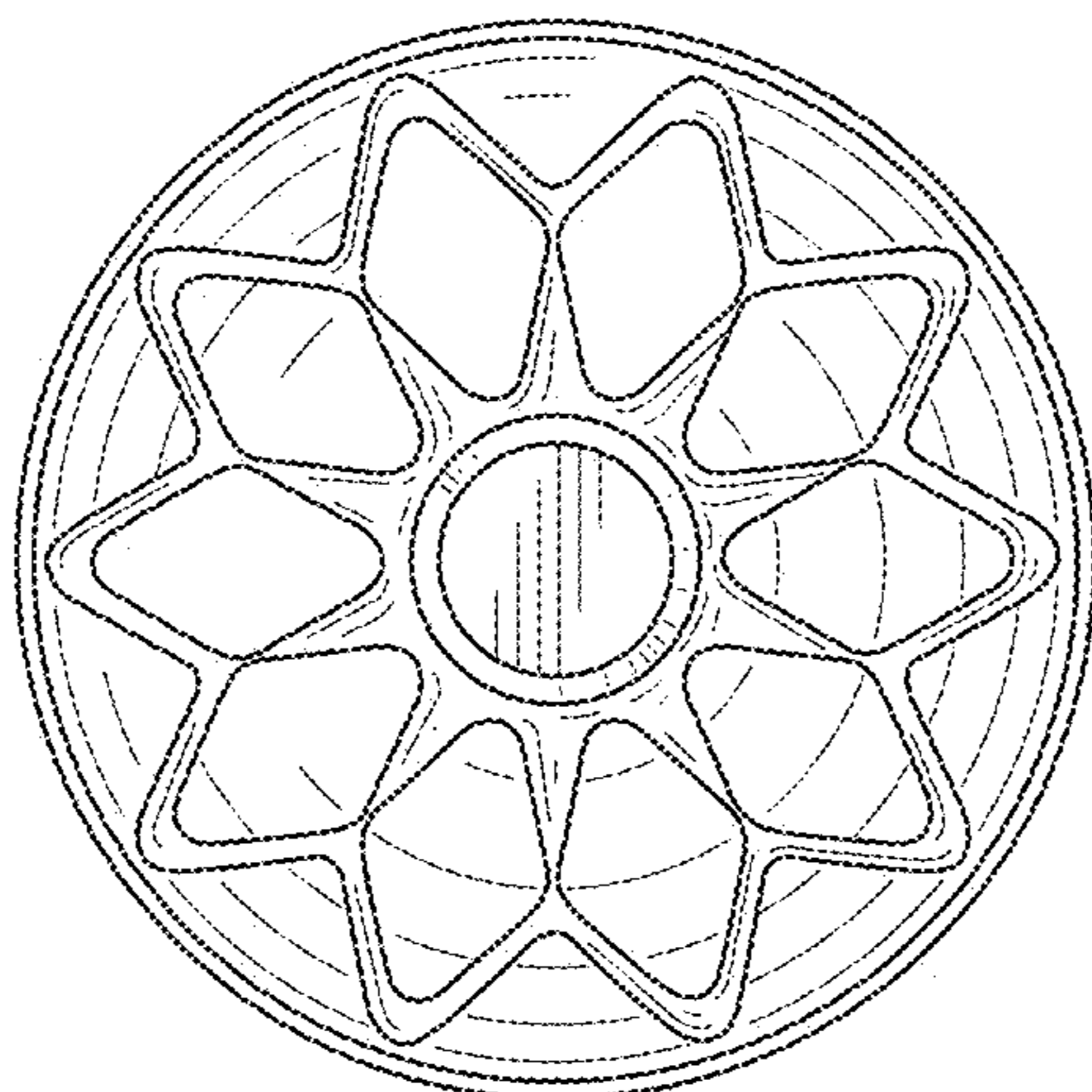


FIG. 41

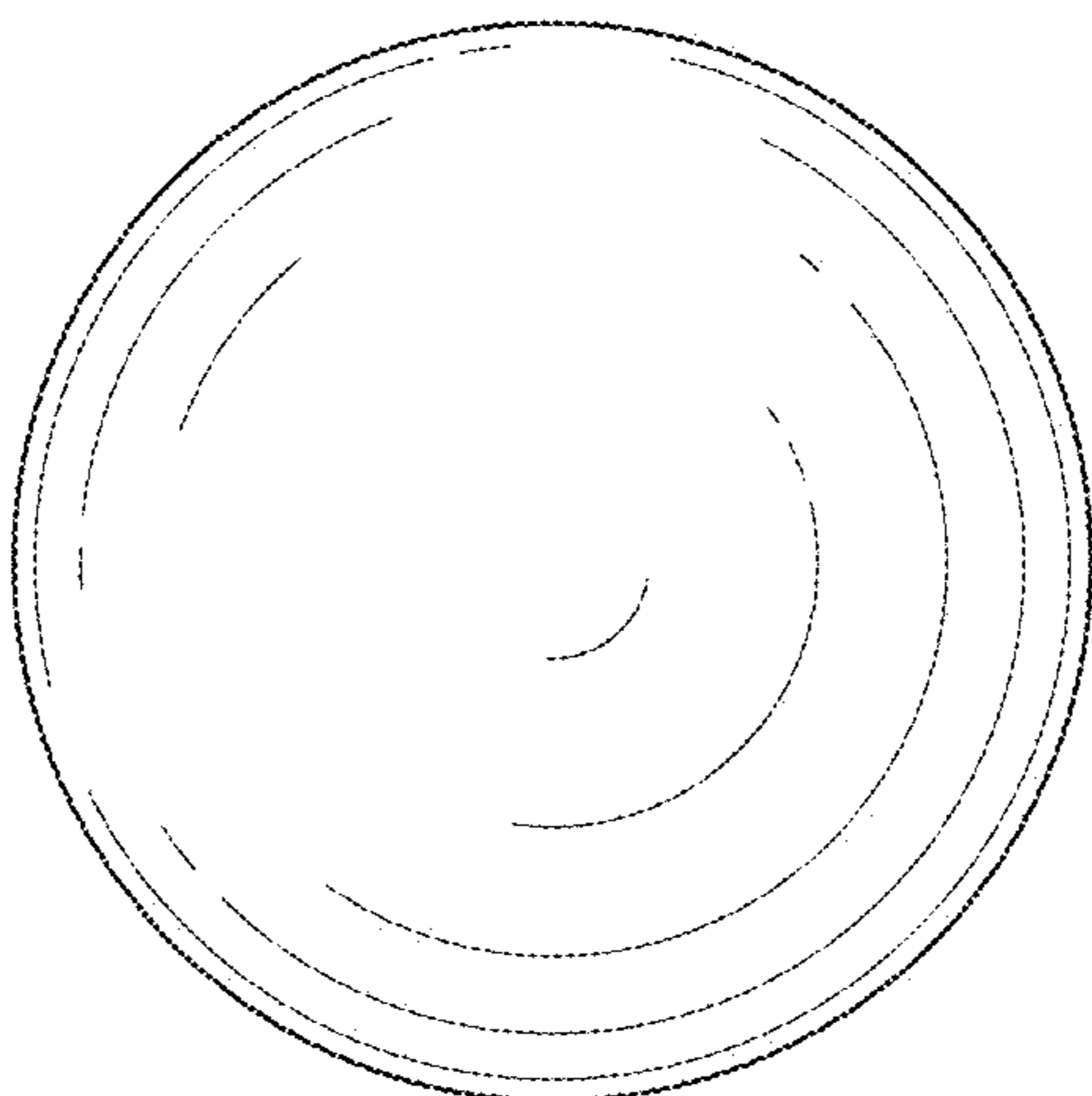


FIG. 42

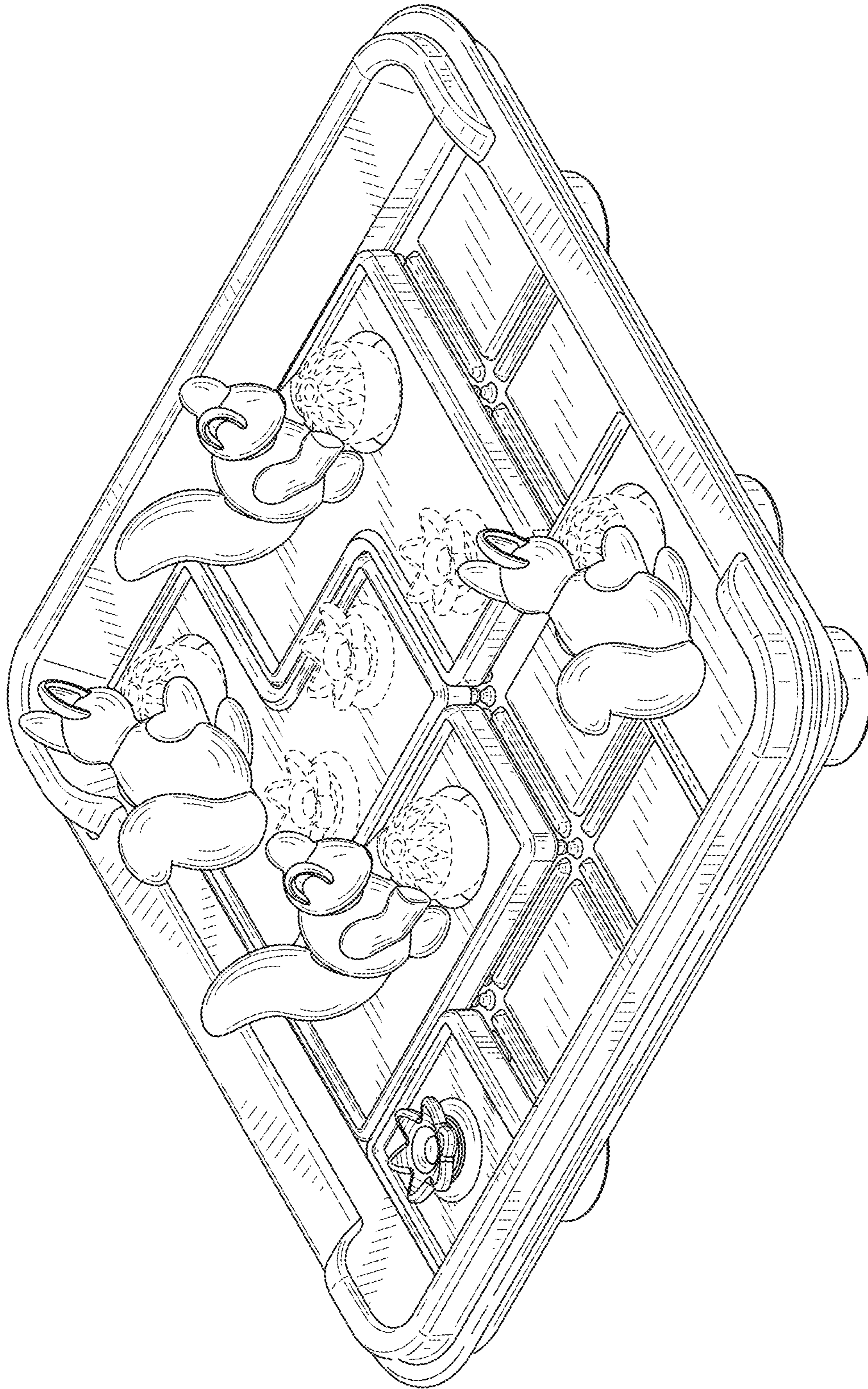


FIG. 43