



US00D937349S

(12) **United States Design Patent**
Wei et al.

(10) **Patent No.:** **US D937,349 S**

(45) **Date of Patent:** **** Nov. 30, 2021**

- (54) **DEEPWATER BOOSTER**
- (71) Applicant: **Tianjin Deepfar Ocean Technology Co., Ltd., TianJin (CN)**
- (72) Inventors: **Jiancang Wei, TianJin (CN); Chunjiang Tian, TianJin (CN)**
- (73) Assignee: **Tianjin Deepfar Ocean Technology Co., Ltd., Tianjin (CN)**

- 8,651,041 B2 * 2/2014 Myers B63C 11/46
114/315
- D733,634 S * 7/2015 De Camargo Aranha ... D12/308
- D815,579 S * 4/2018 Fr noy D12/308
- D865,633 S * 11/2019 Chen D12/308
- 10,835,784 B1 * 11/2020 Williams A63B 35/12
- 2013/0291781 A1 * 11/2013 Myers B63C 11/46
114/315
- 2015/0336650 A1 * 11/2015 Fenu B63H 25/02
114/315
- 2016/0221654 A1 * 8/2016 Kang A63B 35/12

(**) Term: **15 Years**

(21) Appl. No.: **29/653,398**

(22) Filed: **Jun. 14, 2018**

(30) **Foreign Application Priority Data**

Jan. 8, 2018 (CN) 201830007461.0

(51) **LOC (13) Cl.** **12-06**

(52) **U.S. Cl.**
USPC **D21/308**

(58) **Field of Classification Search**
USPC D12/308, 317; D21/801
CPC B63C 11/00; B63C 11/34; B63C 11/46;
B63C 2011/028; A63B 35/00; A63B
35/08; A63B 35/10; A63B 35/12
See application file for complete search history.

(56) **References Cited**

U.S. PATENT DOCUMENTS

- D220,926 S * 6/1971 Peroni D12/308
- D221,261 S * 7/1971 Tallarico D12/308
- D304,923 S * 12/1989 Pado D12/308
- D323,808 S * 2/1992 DeSantis D12/300
- D361,816 S * 8/1995 Yeh D12/308
- 6,976,445 B1 * 12/2005 Arneson B63C 11/46
114/315

* cited by examiner

Primary Examiner — Cynthia M. Chin

(74) *Attorney, Agent, or Firm* — BakerHostetler

(57) **CLAIM**

We claim the ornamental design for a deepwater booster, as shown and described.

DESCRIPTION

FIG. 1 is the front view for a deepwater booster, showing our new design.

FIG. 2 is the left-side view for a deepwater booster, showing our new design.

FIG. 3 is the right-side view for a deepwater booster, showing our new design.

FIG. 4 is the rear view for a deepwater booster, showing our new design.

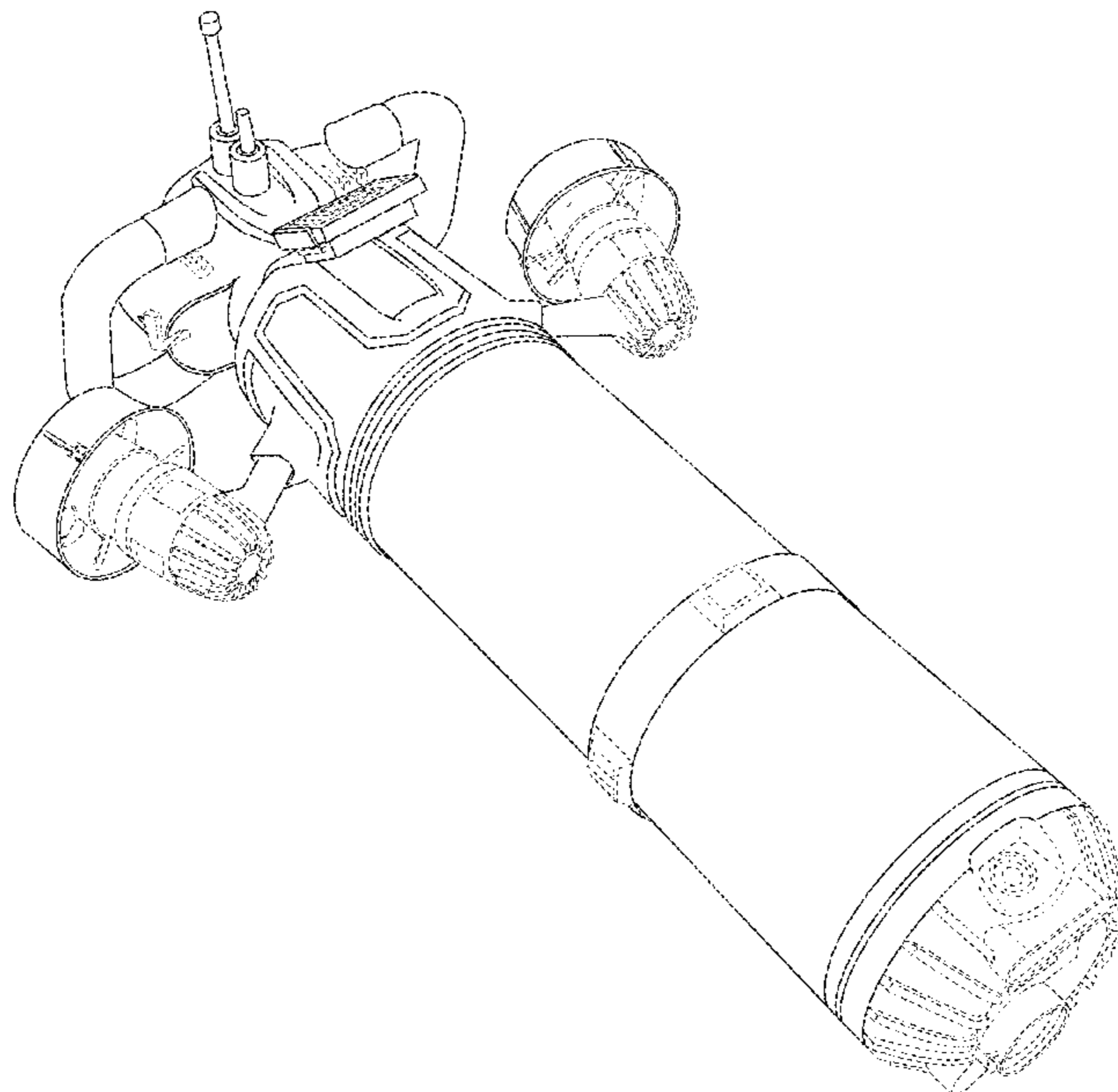
FIG. 5 is the bottom view for a deepwater booster, showing our new design.

FIG. 6 is the top view for a deepwater booster, showing our new design; and,

FIG. 7 is the perspective view for a deepwater booster, showing our new design.

The dashed broken lines in the drawings represent portions of the deepwater booster that form no part of the claimed design.

1 Claim, 7 Drawing Sheets



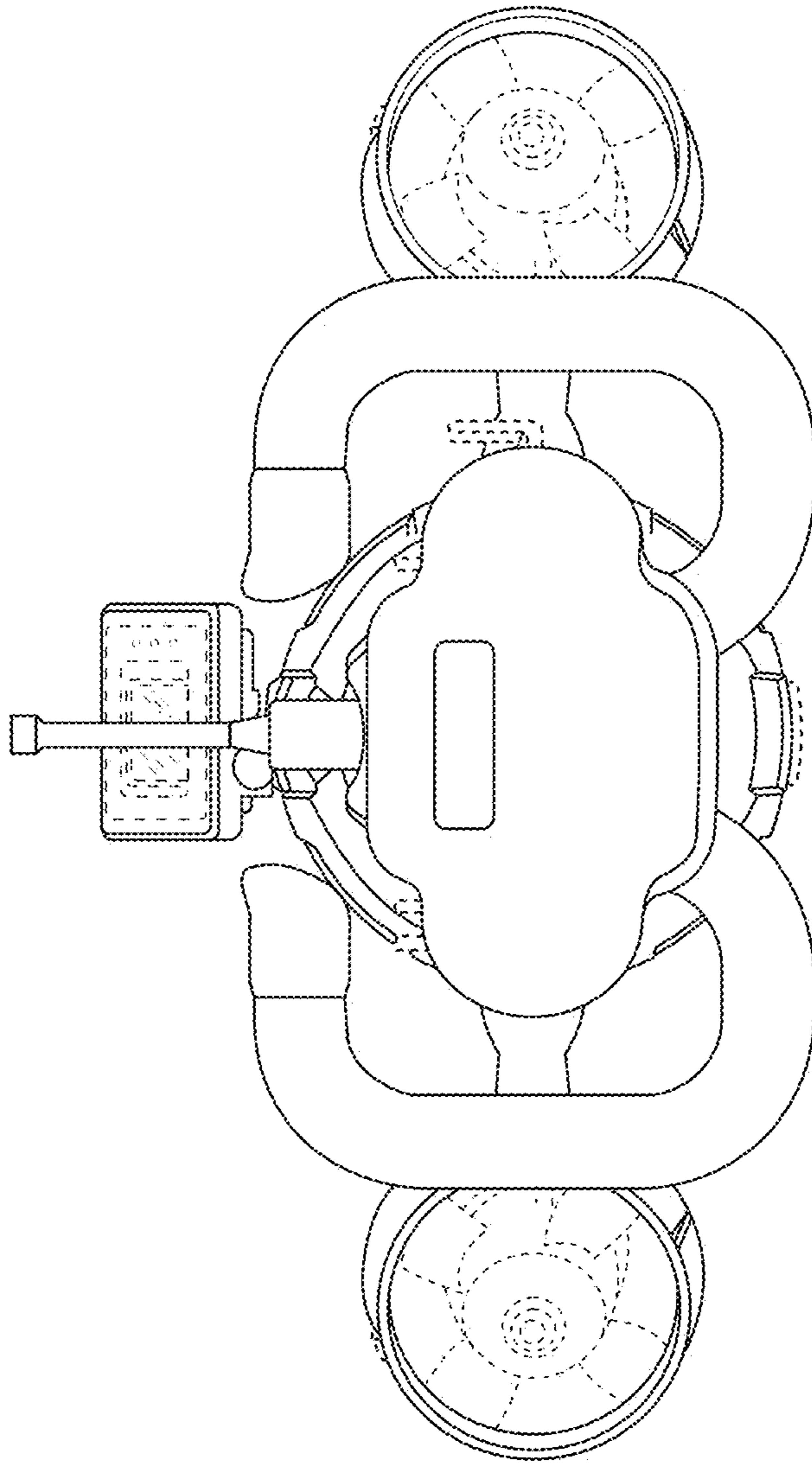


FIG. 1

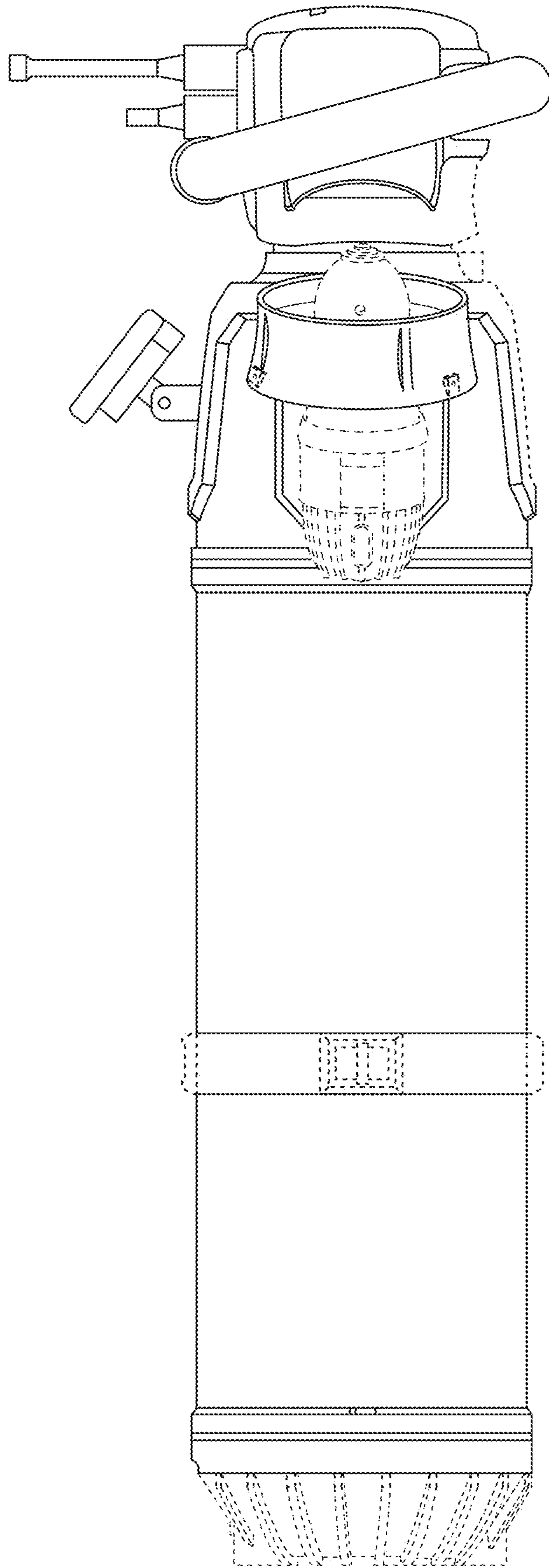


FIG. 2

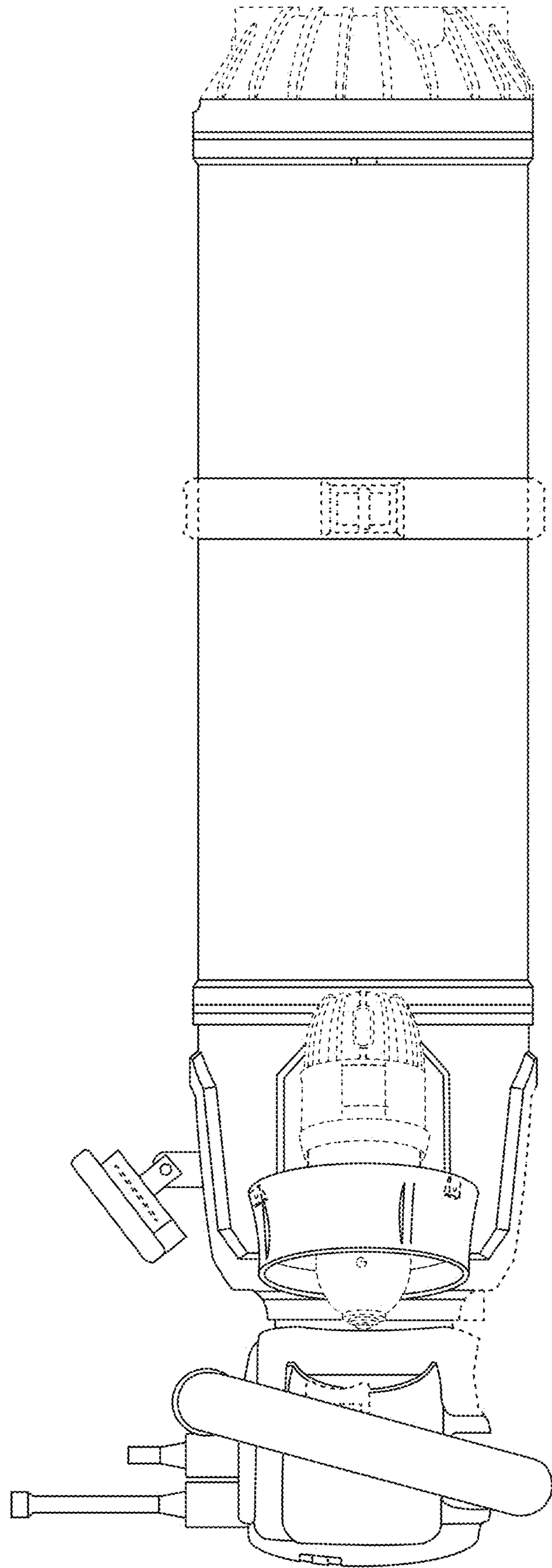


FIG. 3

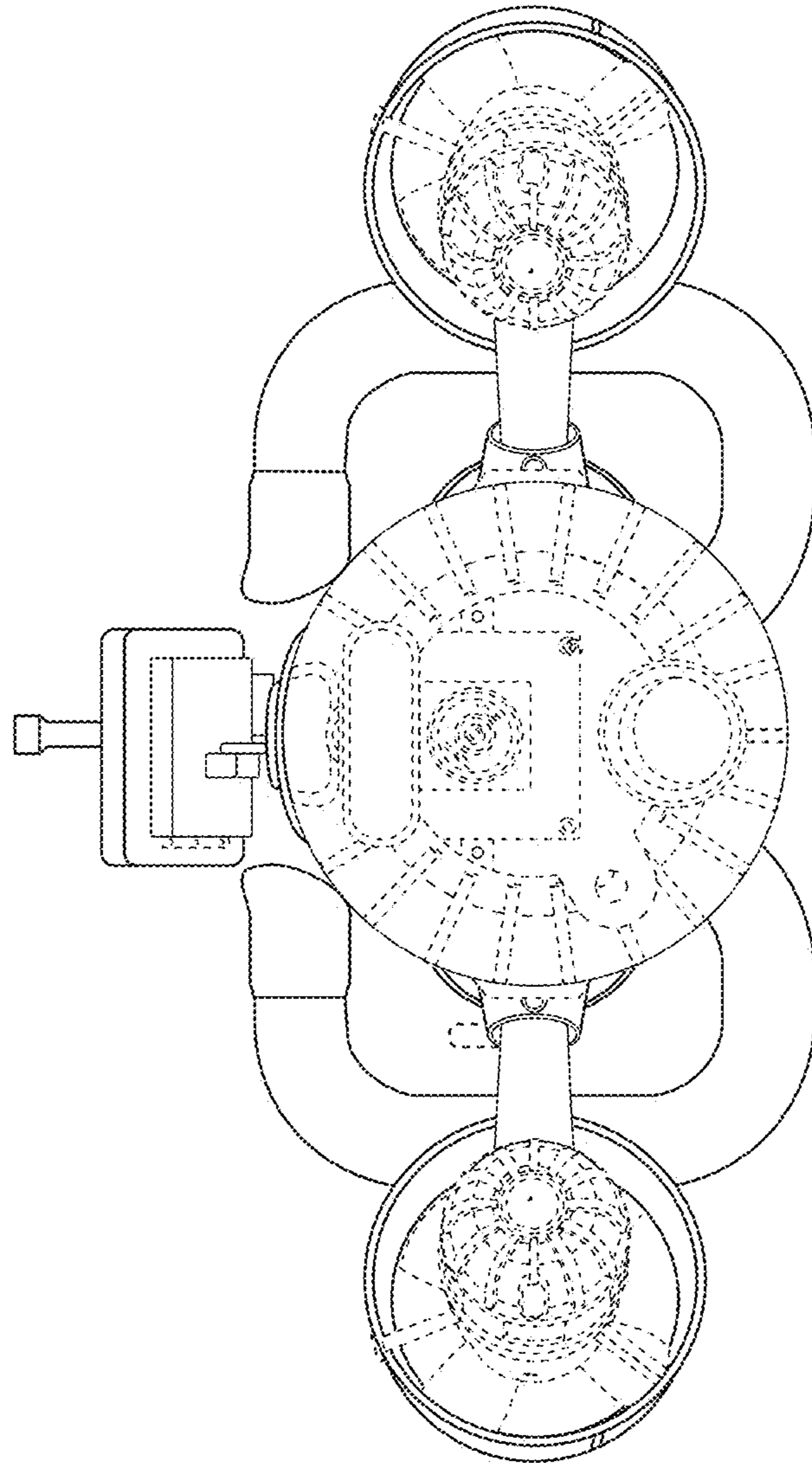


FIG. 4

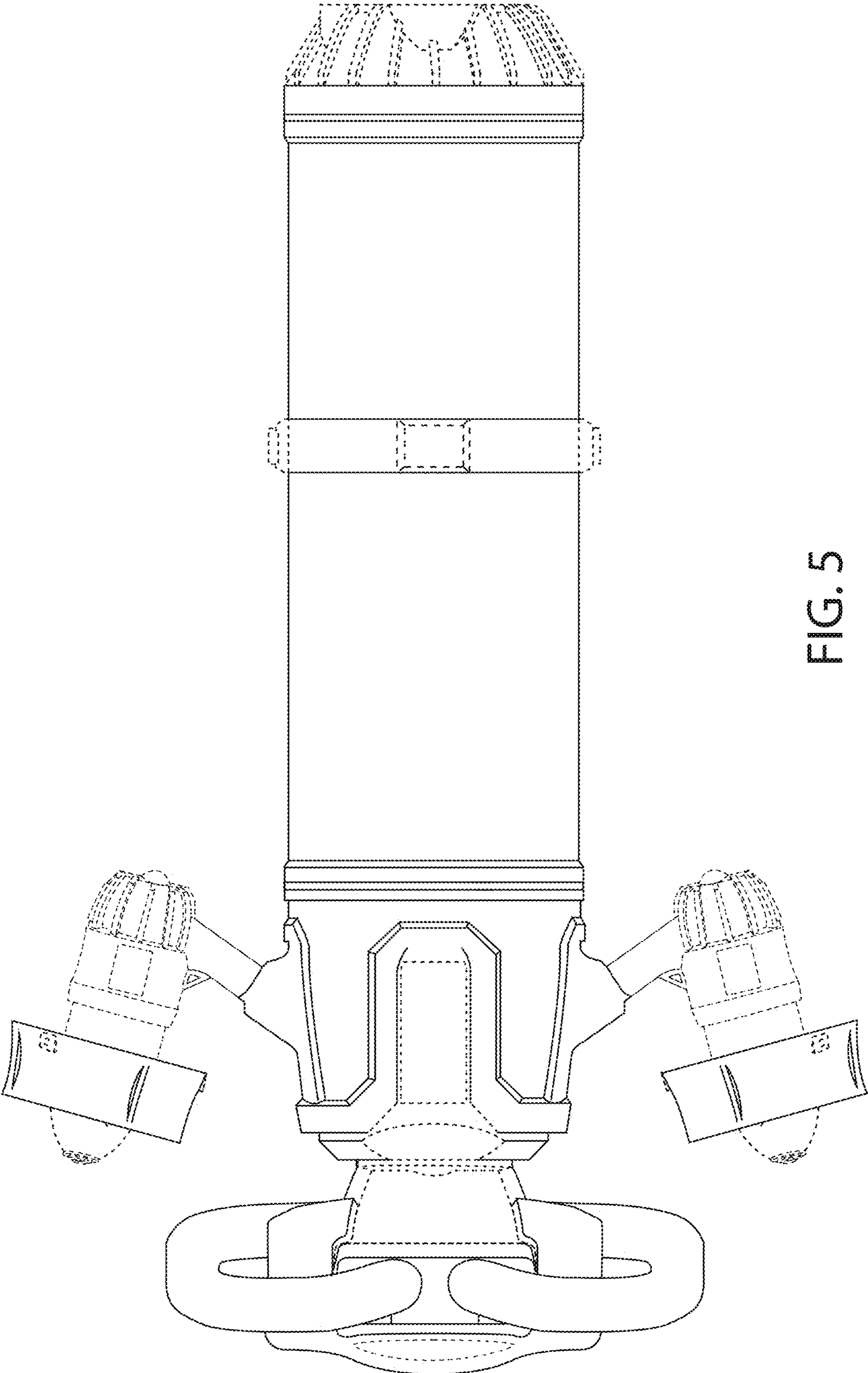


FIG. 5

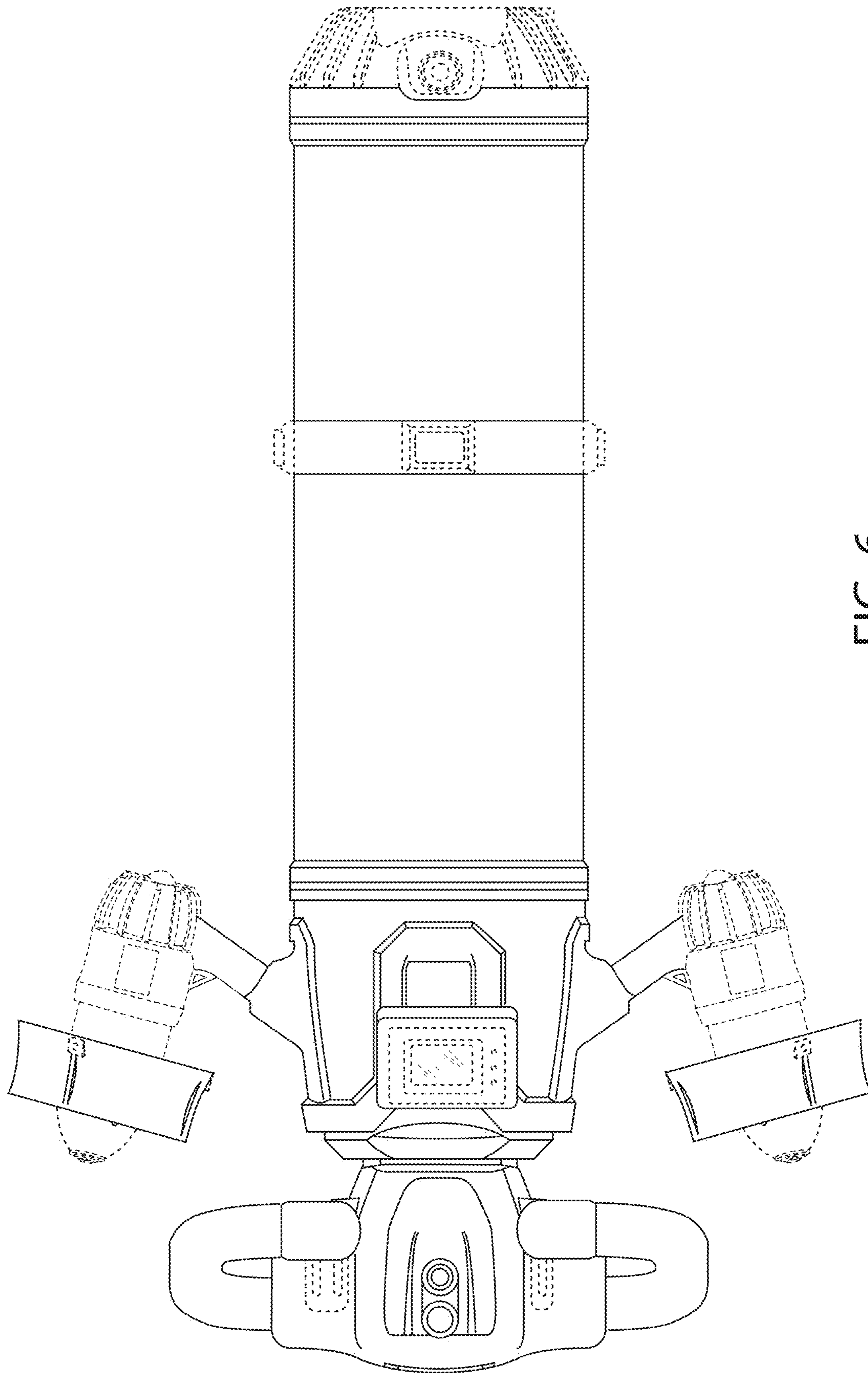


FIG. 6

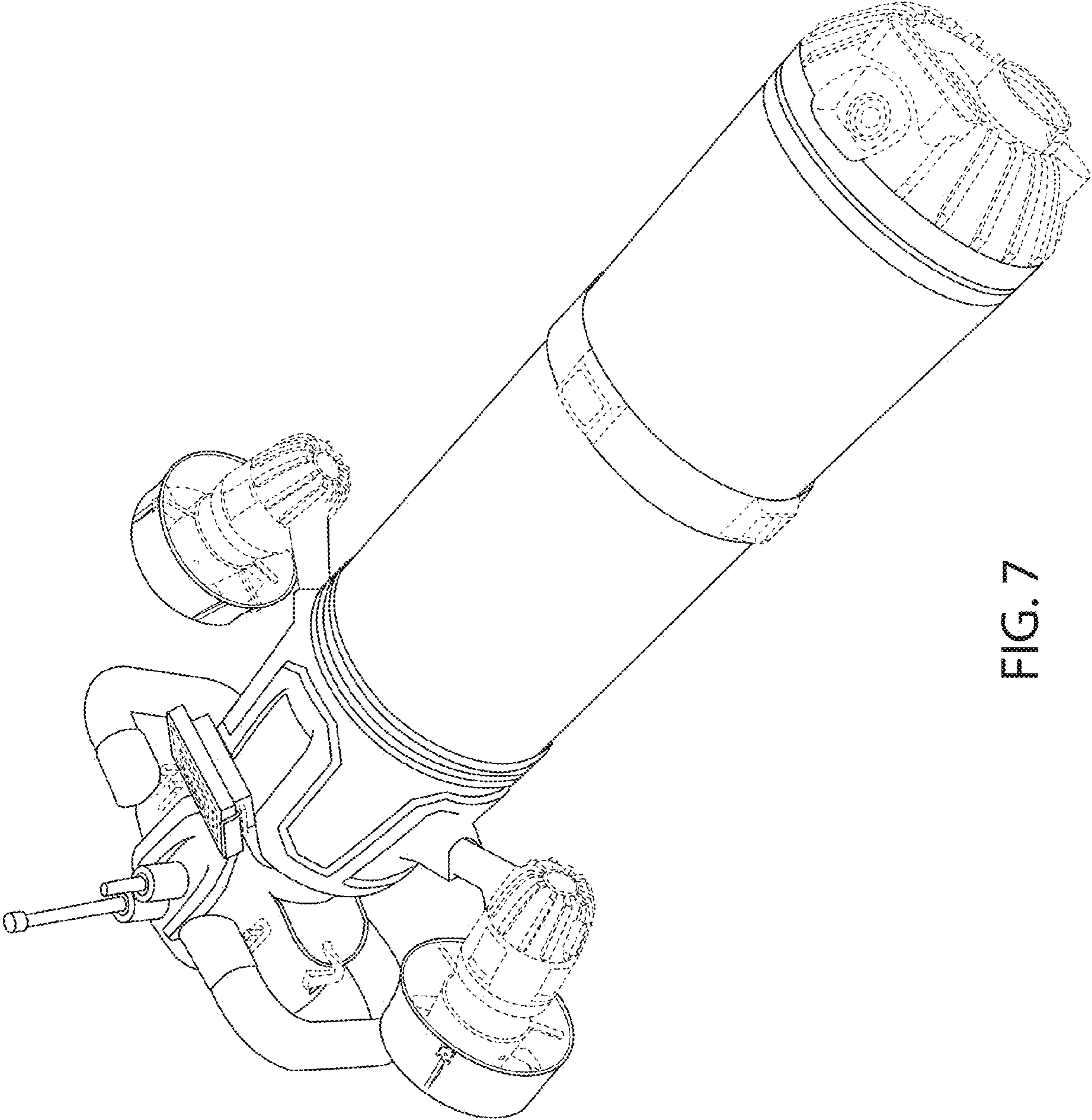


FIG. 7