



US00D937346S

(12) **United States Design Patent** (10) **Patent No.:** **US D937,346 S**
Gan (45) **Date of Patent:** **** Nov. 30, 2021**

(54) **BUSINESS CARD HOLDER**
(71) Applicant: **Senwei Gan**, Ningbo (CN)
(72) Inventor: **Senwei Gan**, Ningbo (CN)
(73) Assignee: **Ningbo Maiwei Culture and Creative Co., Ltd.**, Ningbo (CN)
(**) Term: **15 Years**
(21) Appl. No.: **29/729,863**
(22) Filed: **Mar. 31, 2020**
(51) **LOC (13) Cl.** **19-02**
(52) **U.S. Cl.**
USPC **D19/91**
(58) **Field of Classification Search**
USPC D3/203.1, 203.6, 207, 212, 215, 219, D3/226, 228, 247-253, 263, 265-266, D3/273, 276, 283-286, 289-303, 315, D3/905; D6/513, 553, 555, 310; D19/95, 99, 75, 90-92; D14/250-252
CPC .. A45C 1/06; A45C 1/024; A45C 3/00; A45C 3/004; A45C 3/06; A45C 3/08; A45C 2003/008; A45C 5/00; A45C 5/005; A45C 5/04; A45C 7/0077; A45C 7/0095; A45C 11/00; A45C 11/16; A45C 2011/002; A45C 13/00; A45C 13/002; A45C 13/0058; A45C 13/10; A45C 13/18; A45C 13/30; A45F 5/00; A47C 1/14; A47C 7/62; A47F 5/0006; A47F 7/19; B25F 1/0006; B25F 5/029; B67B 7/16; B67B 7/44; G09F 3/08
See application file for complete search history.

D842,290 S * 3/2019 Robertson D14/250
D863,287 S * 10/2019 Srour D14/251
11,058,194 B2 * 7/2021 Mora A45C 1/06
2015/0335138 A1 * 11/2015 Juarbe H04M 1/04
224/218

(Continued)

FOREIGN PATENT DOCUMENTS

CN 305997701 * 8/2020

OTHER PUBLICATIONS

YOYAI Genuine LeatherWood Business Card Holder, first available Jun. 22, 2020, amazon.com [online], [site visited May 17, 2021], Available at internet URL: <https://www.amazon.com/YOYAI-Genuine-Leather-Business-Decorative/dp/B08BL62N16> (Year: 2020).*

(Continued)

Primary Examiner — Jeffrey D Asch
Assistant Examiner — Caitlin A Laverty

(57) **CLAIM**

The ornamental design for a business card holder, as shown and described.

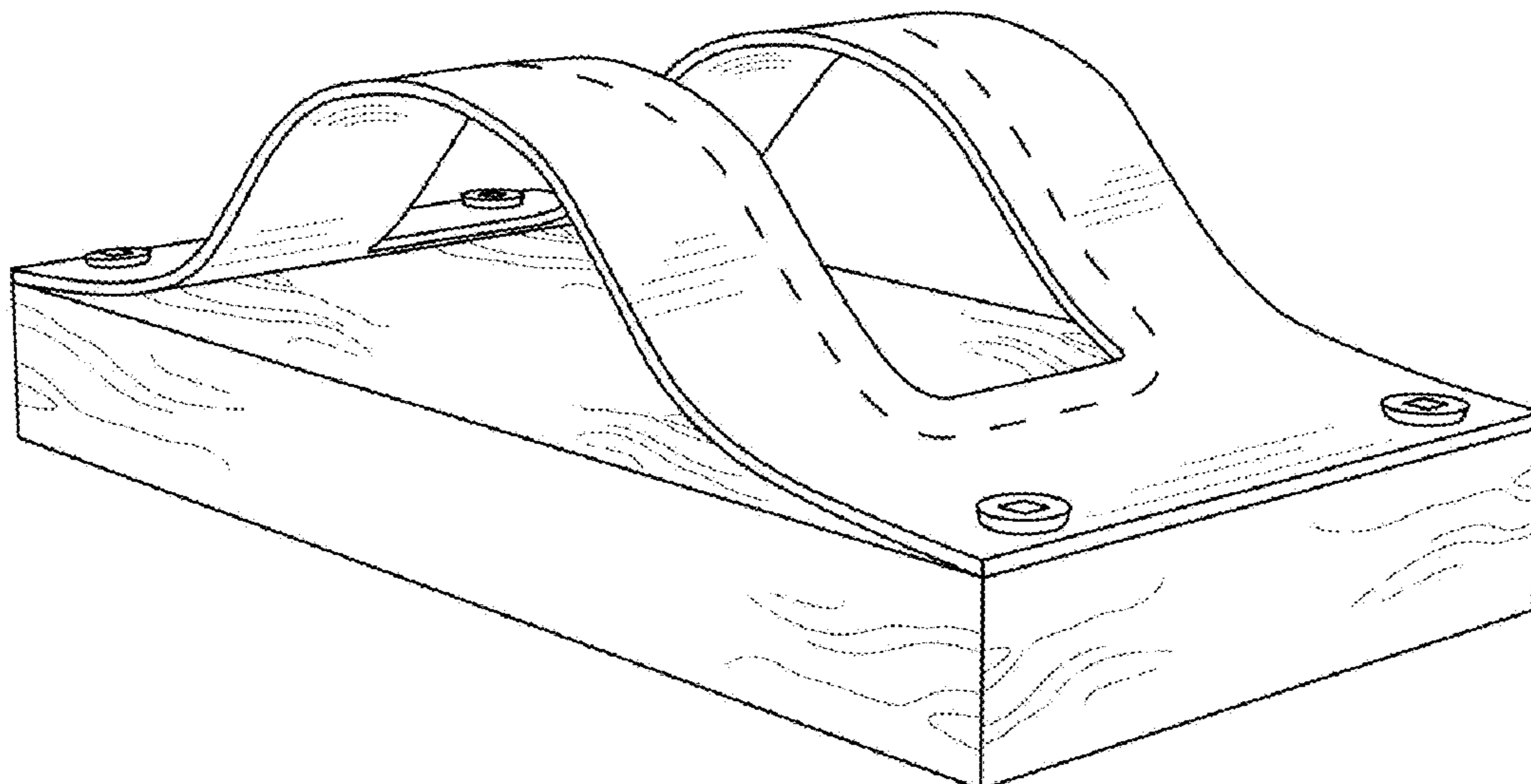
DESCRIPTION

FIG. 1 is a perspective view of a business card holder showing my new design;
FIG. 2 is a front elevation view thereof;
FIG. 3 is a rear elevation view thereof;
FIG. 4 is a left side elevation view thereof;
FIG. 5 is a right side elevation view thereof;
FIG. 6 is a top plan view thereof; and,
FIG. 7 is a bottom plan view thereof.
The broken lines depict stitching lines that form part of the claimed design.
The irregular fragmentary shading on the bottom rectangular block indicates an organic wood grain pattern that is continuous throughout the surfaces on which it is shown.

1 Claim, 7 Drawing Sheets

(56) **References Cited**
U.S. PATENT DOCUMENTS

D487,628 S * 3/2004 Mathews D3/215
D554,188 S * 10/2007 Bonaventura D19/90
D700,654 S * 3/2014 Wu D19/91



(56)

References Cited

U.S. PATENT DOCUMENTS

2015/0365125 A1* 12/2015 Murphy F16M 13/04
455/575.6
2019/0246756 A1* 8/2019 Mallory A45F 5/10
2020/0093231 A1* 3/2020 Mora A45C 13/1069

OTHER PUBLICATIONS

Kework Wood Business Card Holder, first available Jun. 8, 2020, amazon.com [online], [site visited May 17, 2021], Available at internet URL:https://www.amazon.com/dp/B089T39XNR/ref=sspa_dk_detail_1?pd_rd_i=B089T39XNR&pd_rd_w=uuU8H&pf_rd_p=7771f1a2-d77a-4098-a19e-6d9a1e65f44d&pd_rd_wg=c0MJj&pf_rd_r=S2MM73Y6QWADMFP4DC5X&pd_rd_r=3b088600-7a04-4ae9-9711-9b4e0750ffba&spLa=ZW5jcnlwdGVkUXVhbGlmaWVyPUFNQjNlVlY0REk5TEsmZW5jcnlwdGVkSWQ9QTA2MTM5OTFEWlVlVlIIMTFpPMEcmZW5jcnlwdGVkQWRJZD1BMDY0ODY2NjExQ01HSDZJM0FENDEmd2lkZ2V0TmFtZT1zcF9kZX RhaWwmYWN0aW9uPWNsaWNrUmVkaXJlY3QmZG9Ob3RMb2dDbGljaz10cnVI&th=1 (Year: 2020).*

* cited by examiner

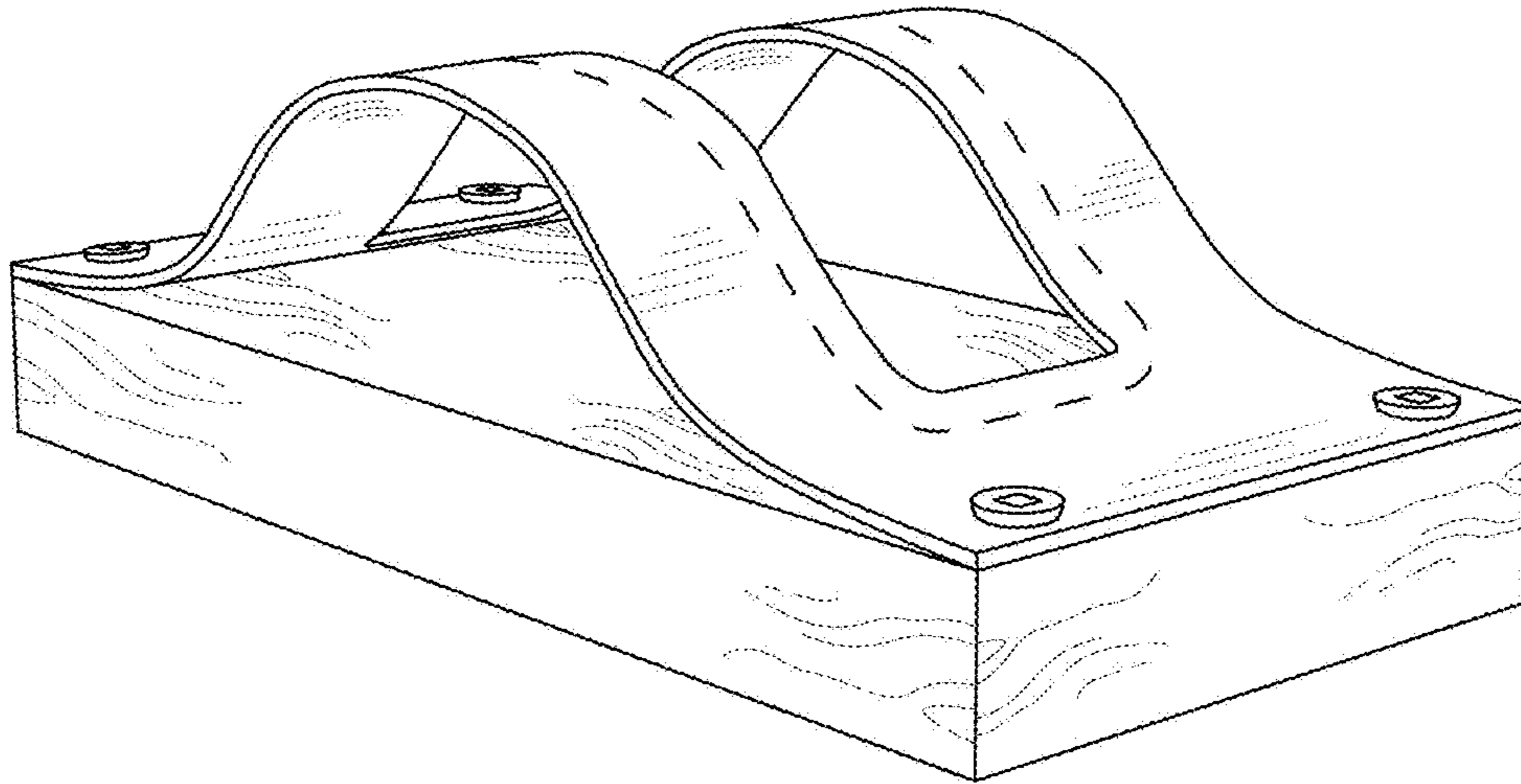


FIG.1

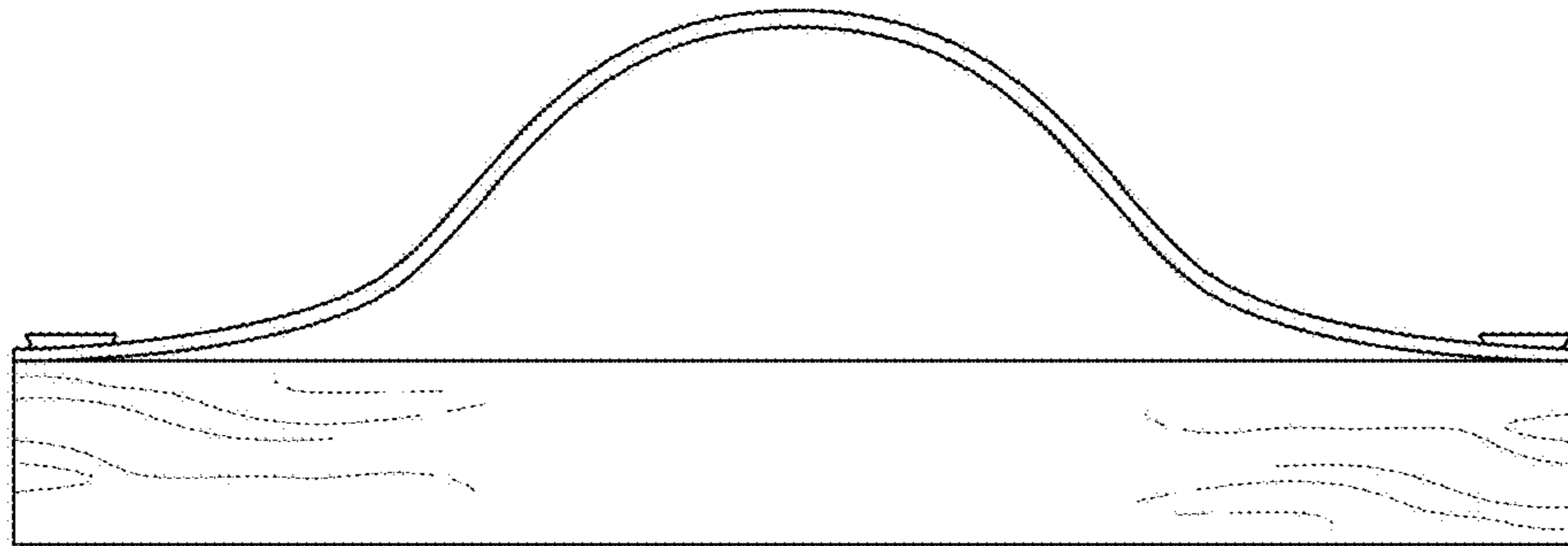


FIG.2

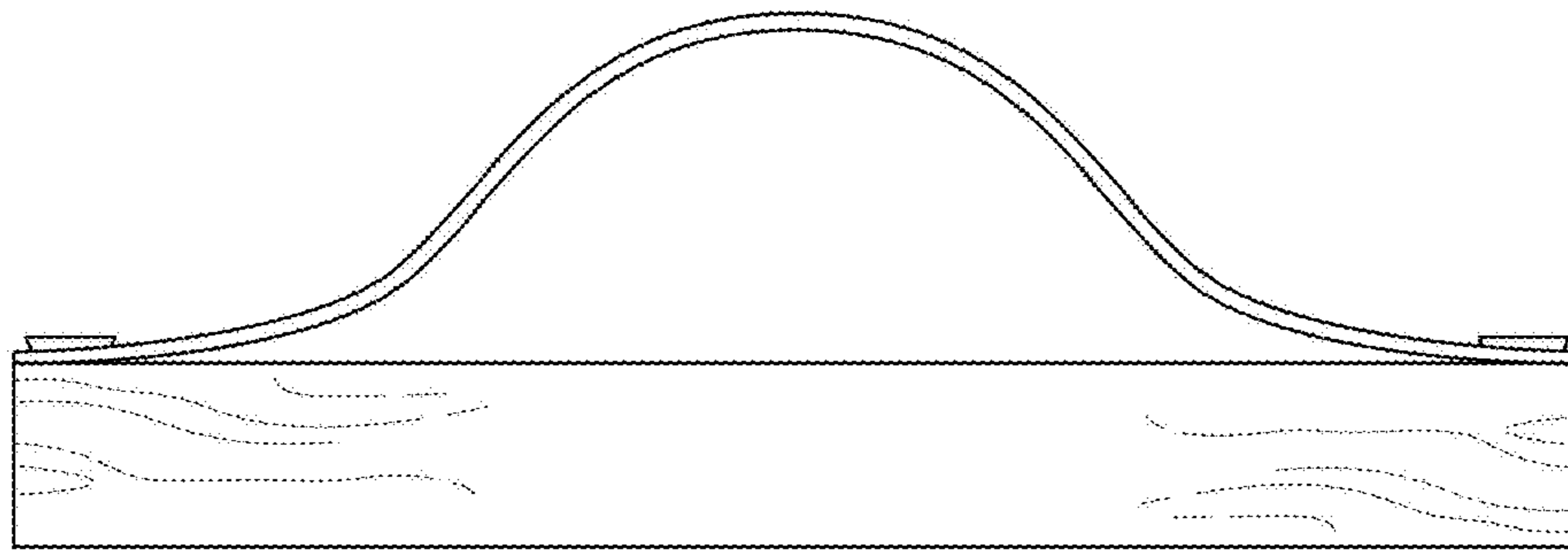


FIG.3

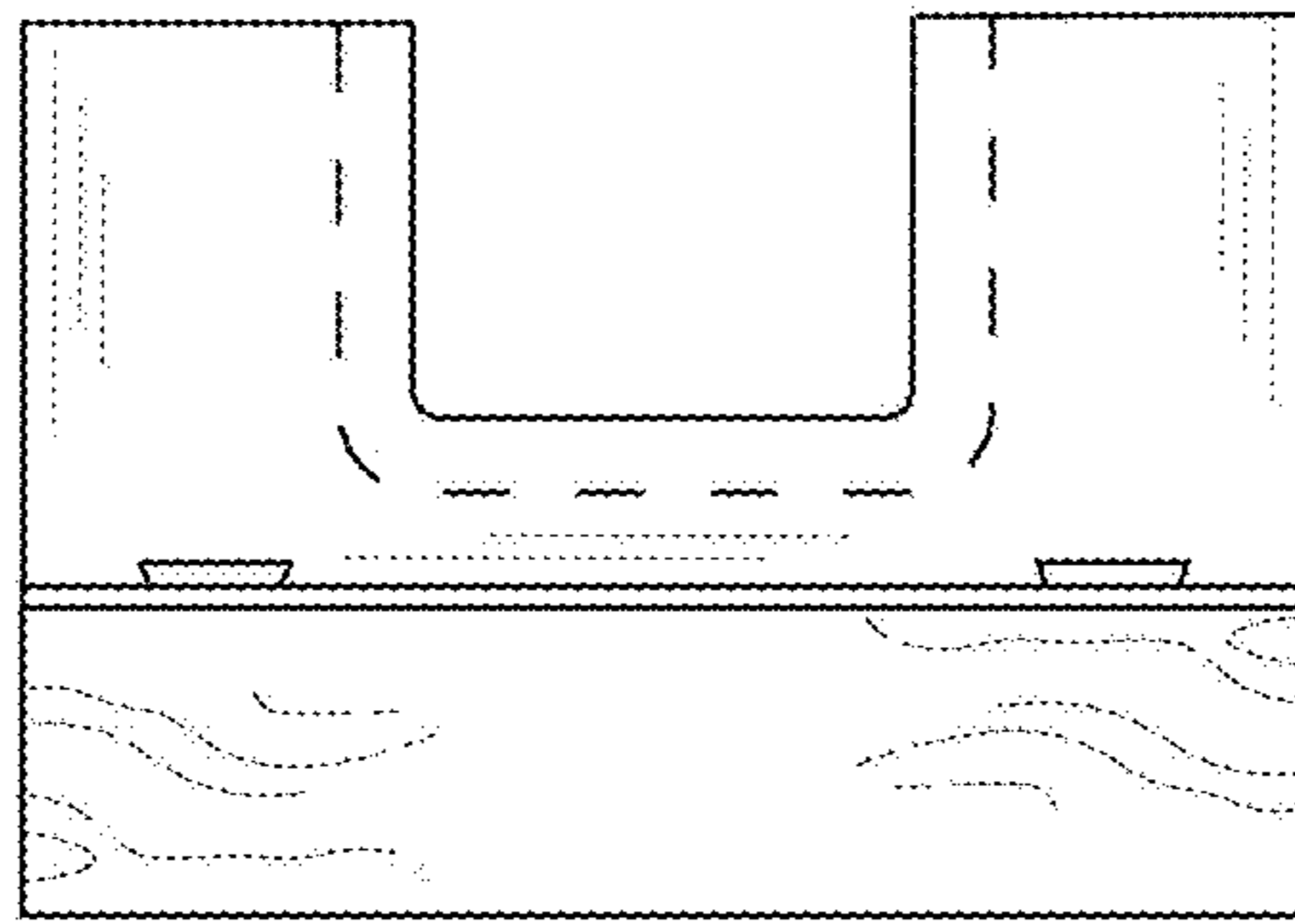


FIG.4

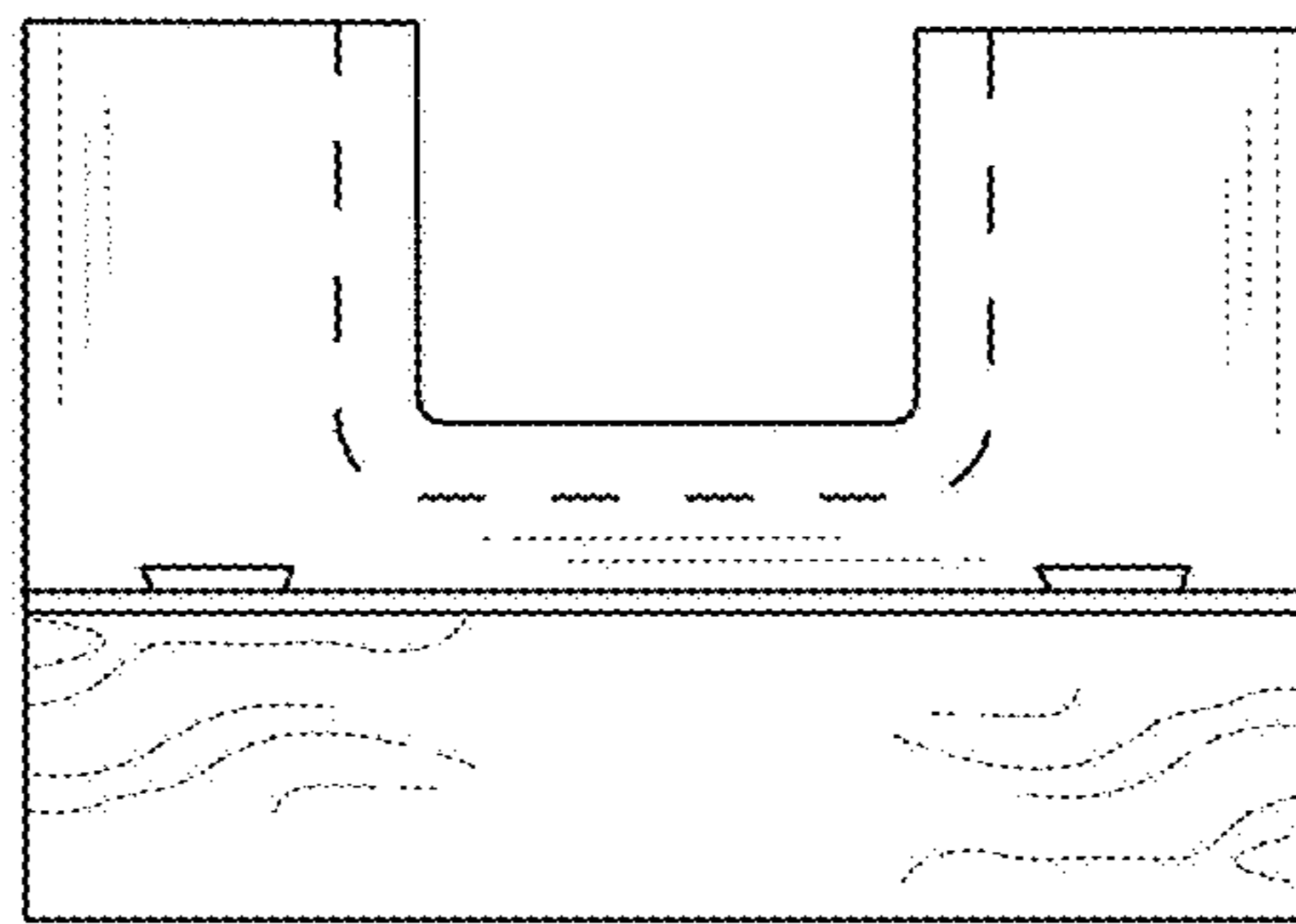


FIG.5

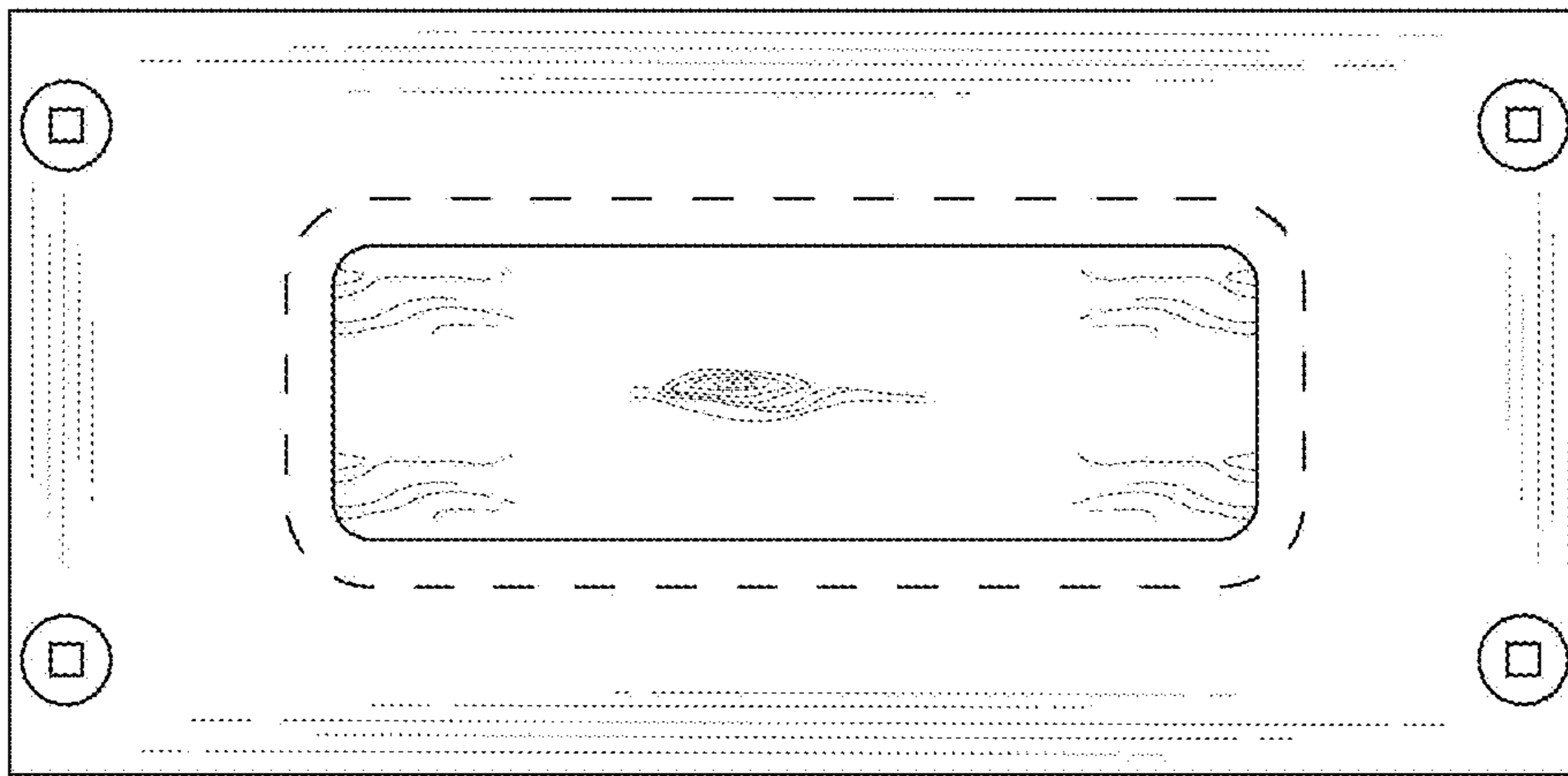


FIG.6

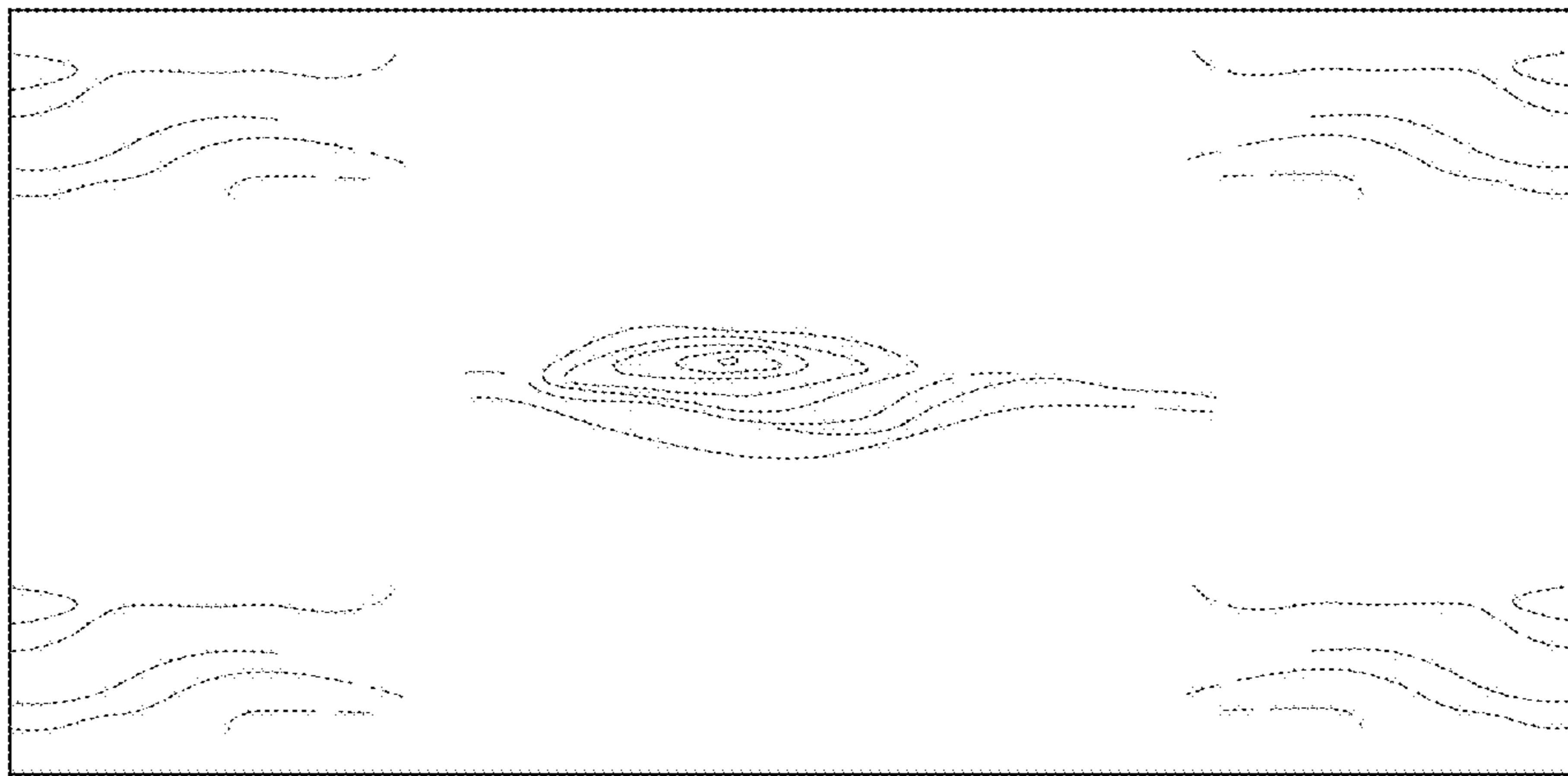


FIG. 7