



US00D937345S

(12) **United States Design Patent**
Iliev et al.

(10) **Patent No.:** **US D937,345 S**

(45) **Date of Patent:** **** Nov. 30, 2021**

(54) **TACTILE PAYMENT CARD**

(74) *Attorney, Agent, or Firm* — Leason Ellis LLP

(71) Applicant: **Mastercard International Incorporated**, Purchase, NY (US)

(57) **CLAIM**

(72) Inventors: **Issidor L Iliev**, White Plains, NY (US);
Paul Bousquet, Mamaroneck, NY (US)

The ornamental design for a tactile payment card, as shown and described.

(73) Assignee: **MASTERCARD INTERNATIONAL INCORPORATED**, Purchase, NY (US)

(**) Term: **15 Years**

(21) Appl. No.: **29/735,890**

(22) Filed: **May 26, 2020**

DESCRIPTION

Related U.S. Application Data

(63) Continuation-in-part of application No. 29/709,991, filed on Oct. 18, 2019, which is a continuation-in-part (Continued)

(51) **LOC (13) Cl.** **19-08**

(52) **U.S. Cl.**
USPC **D19/9**

(58) **Field of Classification Search**
USPC D19/1–12, 20–34, 100;
40/124.01–124.15, 672, 661, 726, 776,
(Continued)

(56) **References Cited**

U.S. PATENT DOCUMENTS

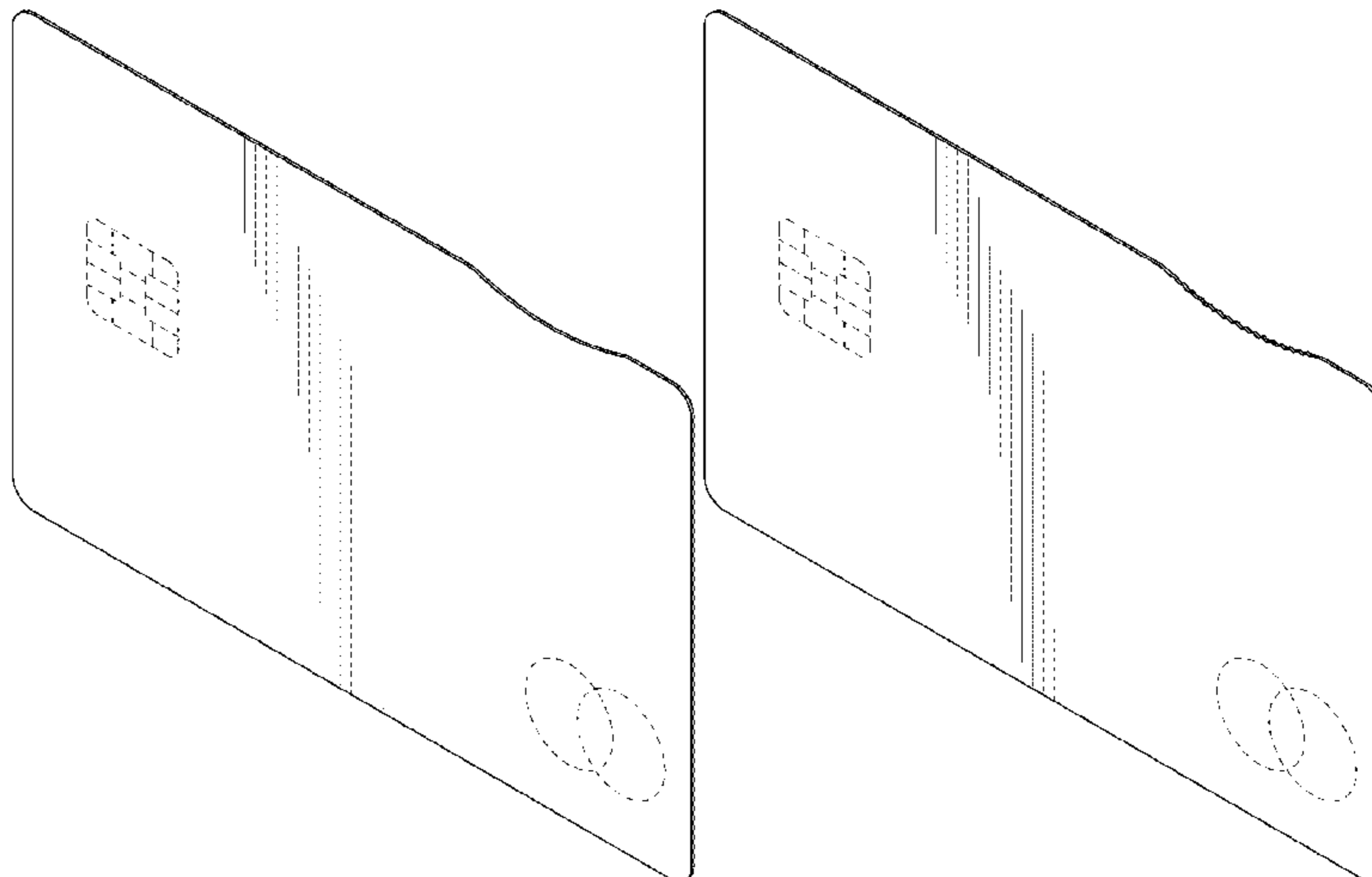
D274,099 S 6/1984 Belser
D515,134 S * 2/2006 Stewart, III D19/9
(Continued)

OTHER PUBLICATIONS

“New NatWest Debit Cards Now Accessible for All Customers.”
NatWest Group, www.rbs.com/rbs/news/2019/05/new-natwest-debit-cards-now-accessible-for-all-customers-.html. May 30, 2019.

Primary Examiner — Abraham Bahta

(Continued)



The broken lines shown in the drawings, including in FIGS. 1, 2, 8, 9, 15, 16, 22, and 23 are for illustrative purposes only and form no part of the claimed design.

1 Claim, 12 Drawing Sheets

Related U.S. Application Data

of application No. 29/696,912, filed on Jul. 2, 2019, now Pat. No. Des. 926,252.

(58) **Field of Classification Search**

USPC 40/617; 283/72, 74-75, 103, 105-117, 283/82, 70, 94, 81, 907; 206/449; D21/385; D20/10, 22, 27, 40, 42, 11; D14/435-437; 235/380, 382, 487, 493, 235/488; D6/613, 583; 360/2; 702/158, 702/86, 97, 163, 166, 170

CPC B42D 15/00; B42D 15/022; B42D 15/027; B42D 15/042; B42D 15/045; B42D 25/00; B42D 25/20; B42D 25/30; B42D 25/23; B42D 25/26; B42D 25/29; B42D 25/285; B42D 2033/00; B42D 2033/02; B42D 2033/04; B42D 2033/08; B42D 2033/10; B42D 2033/18; B42D 2033/20; B42D 2033/22; B42D 2033/28; G09F 3/02; G09F 2003/0201

See application file for complete search history.

(56)

References Cited

U.S. PATENT DOCUMENTS

D615,585 S 5/2010 Skinner
D628,627 S 12/2010 Halbur
D634,780 S 3/2011 Schumann
D765,171 S 8/2016 Tattersall
D926,252 S * 7/2021 Iliev D19/9

* cited by examiner

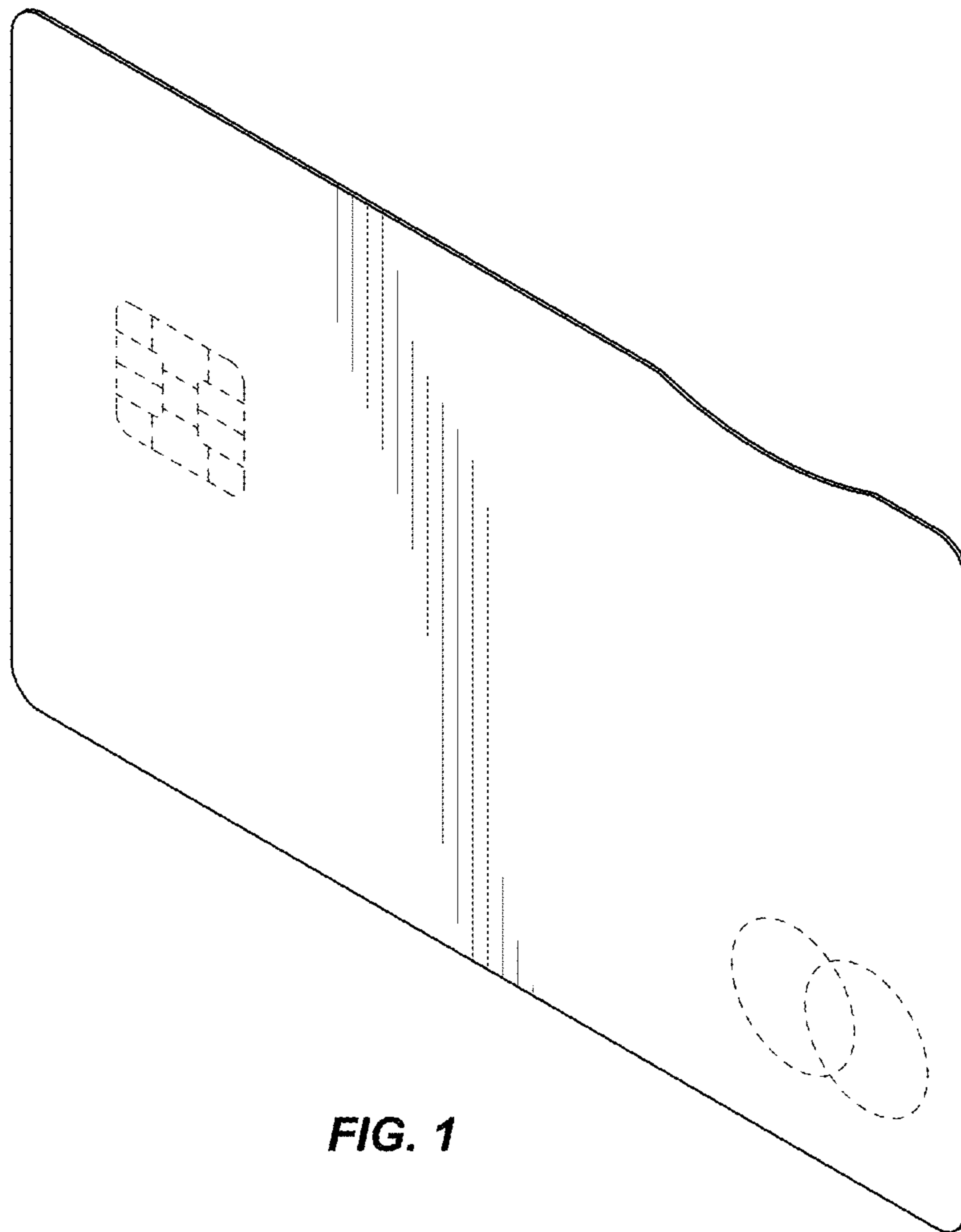


FIG. 1

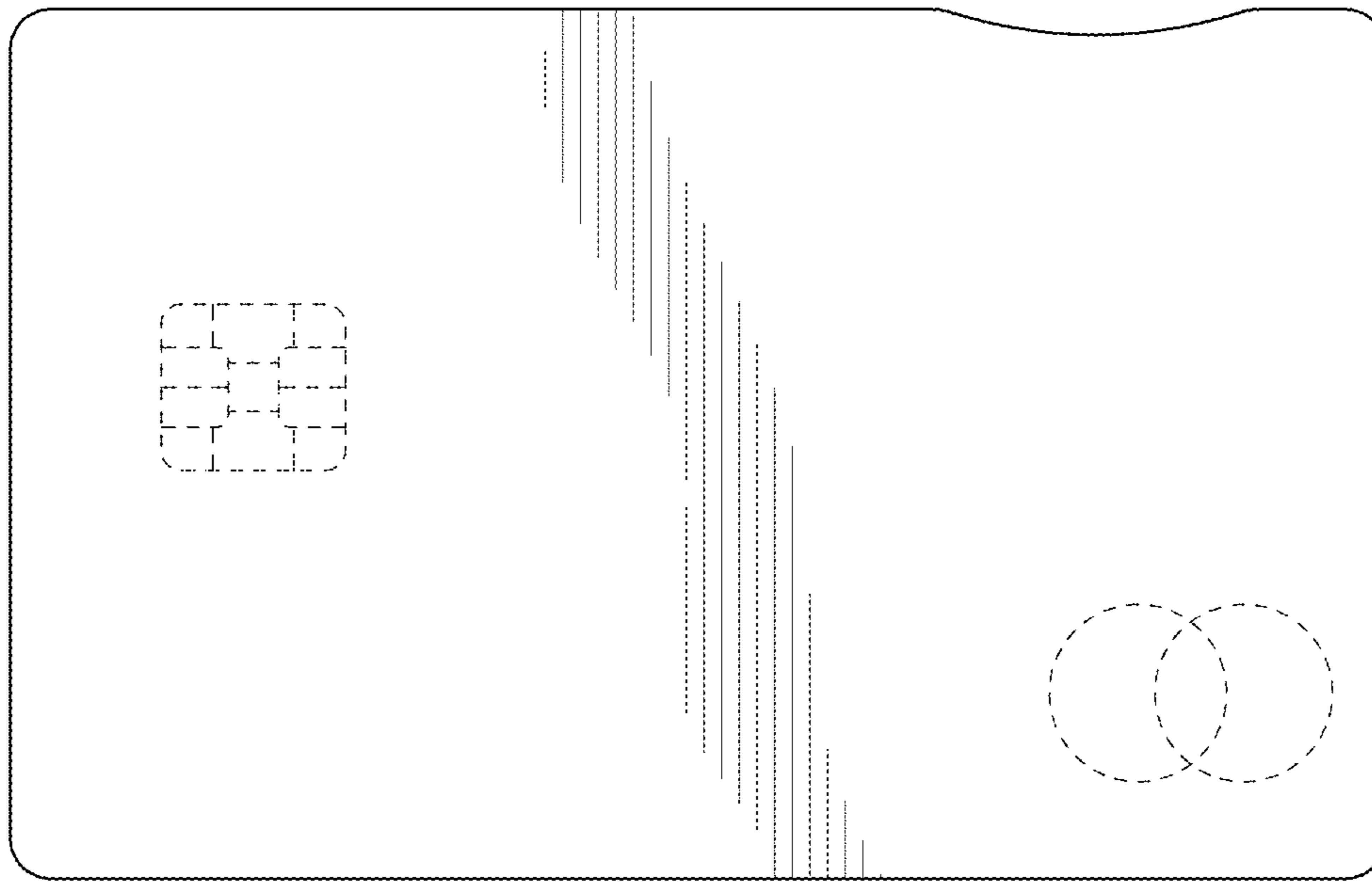


FIG. 2

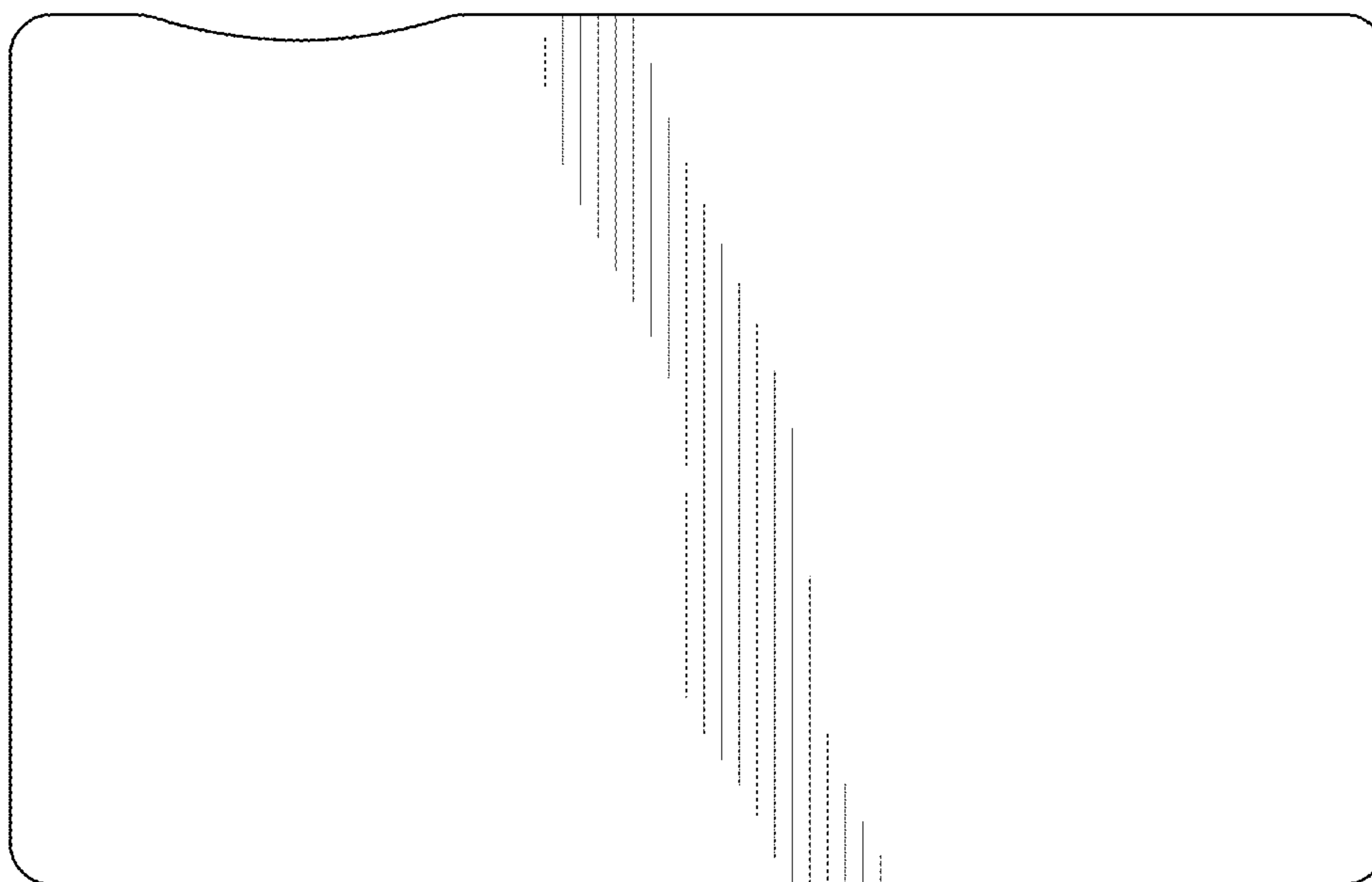


FIG. 3



FIG. 4

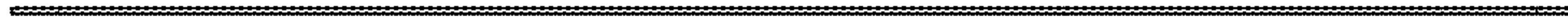


FIG. 5



FIG. 6



FIG. 7

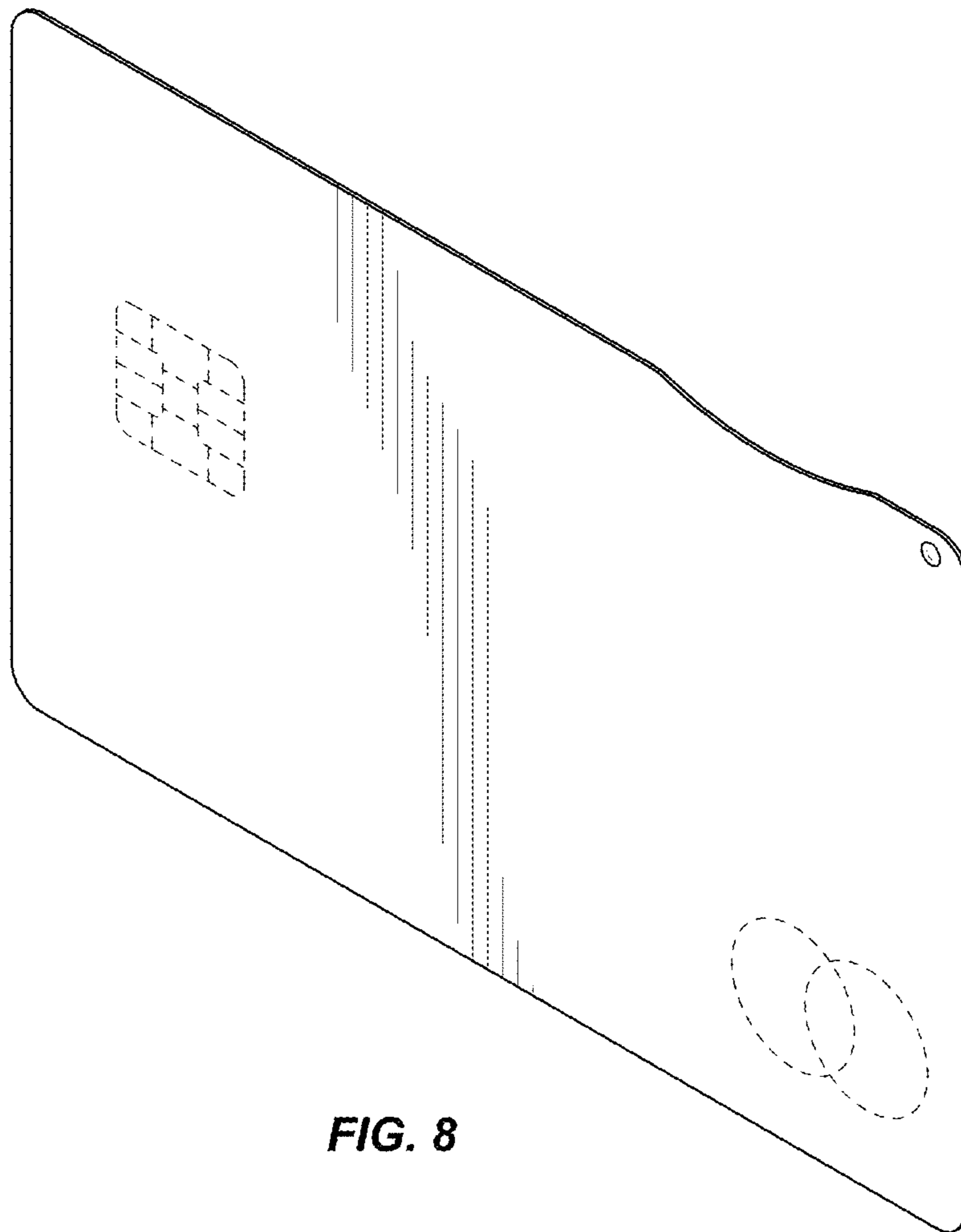


FIG. 8

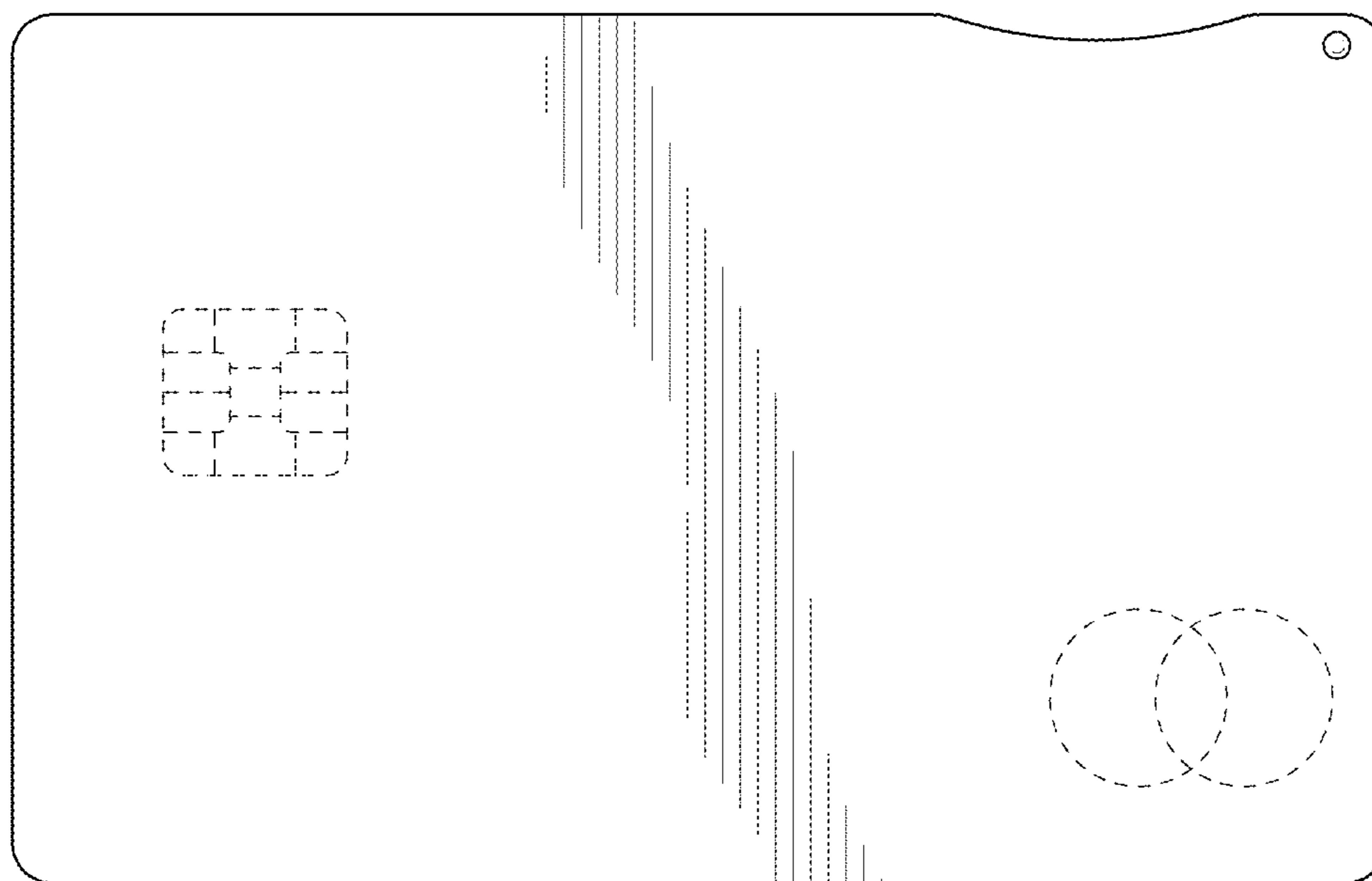


FIG. 9

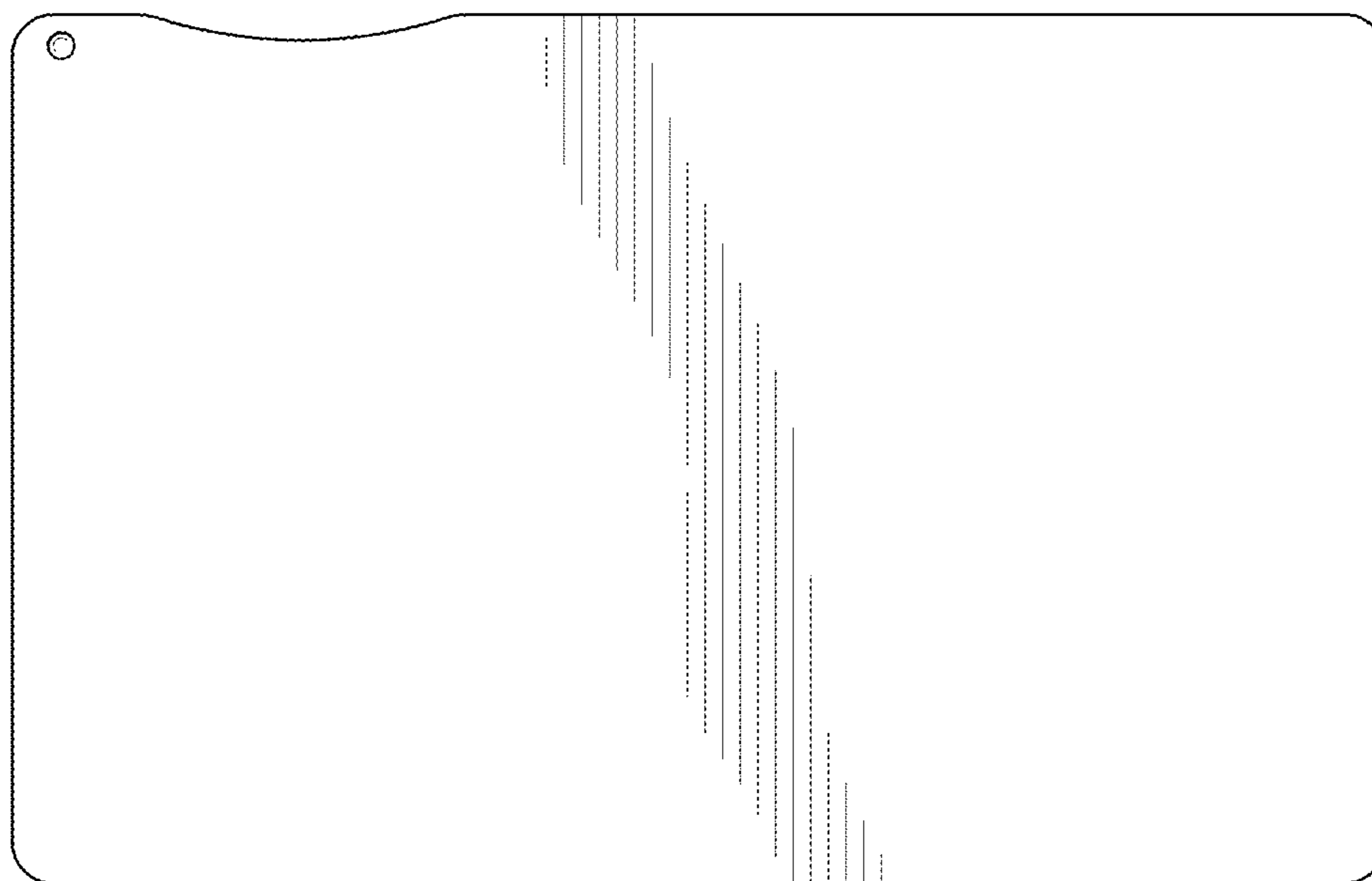


FIG. 10



FIG. 11

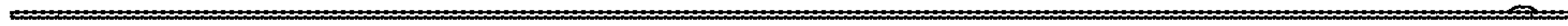


FIG. 12



FIG. 13



FIG. 14

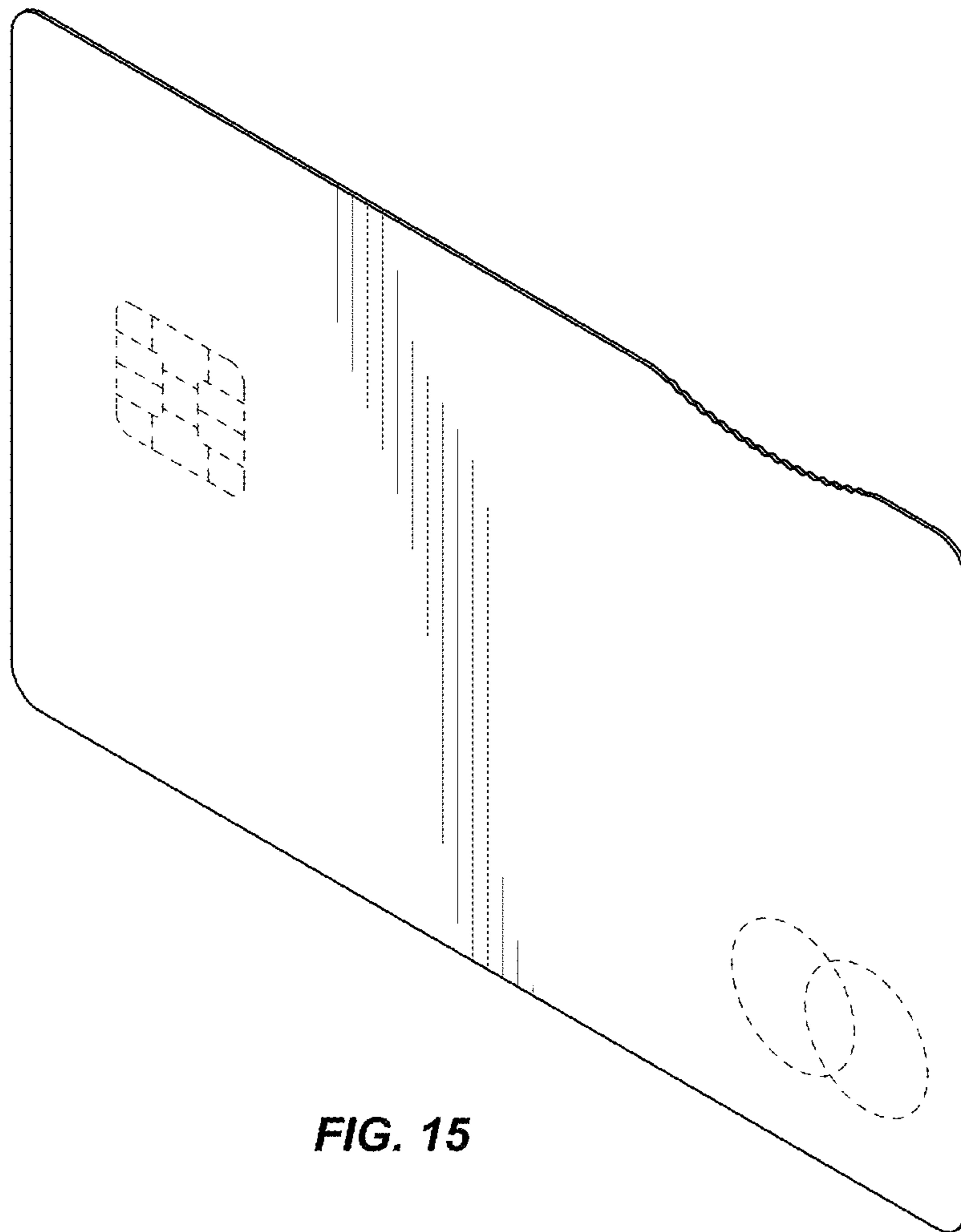


FIG. 15

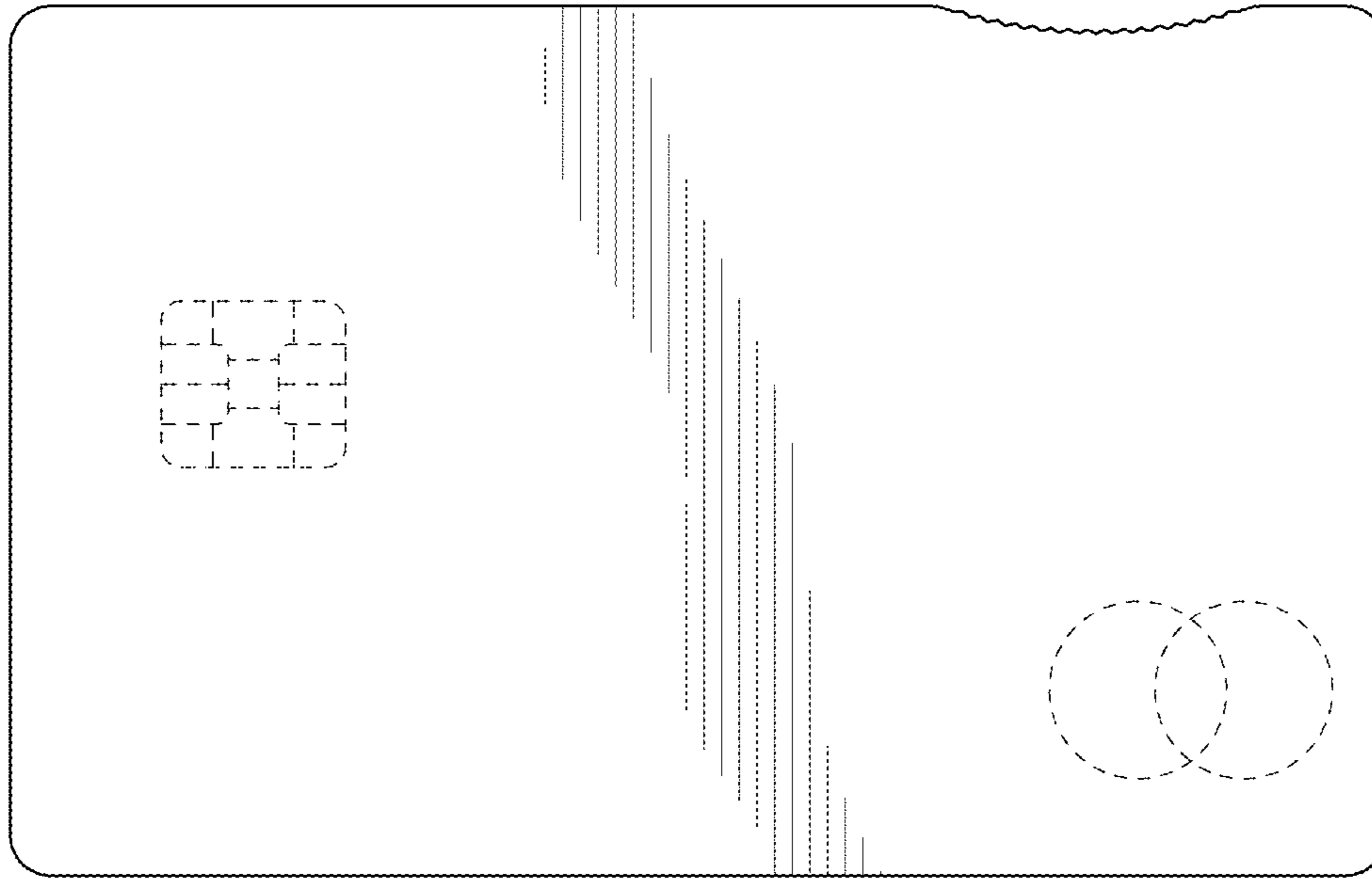


FIG. 16

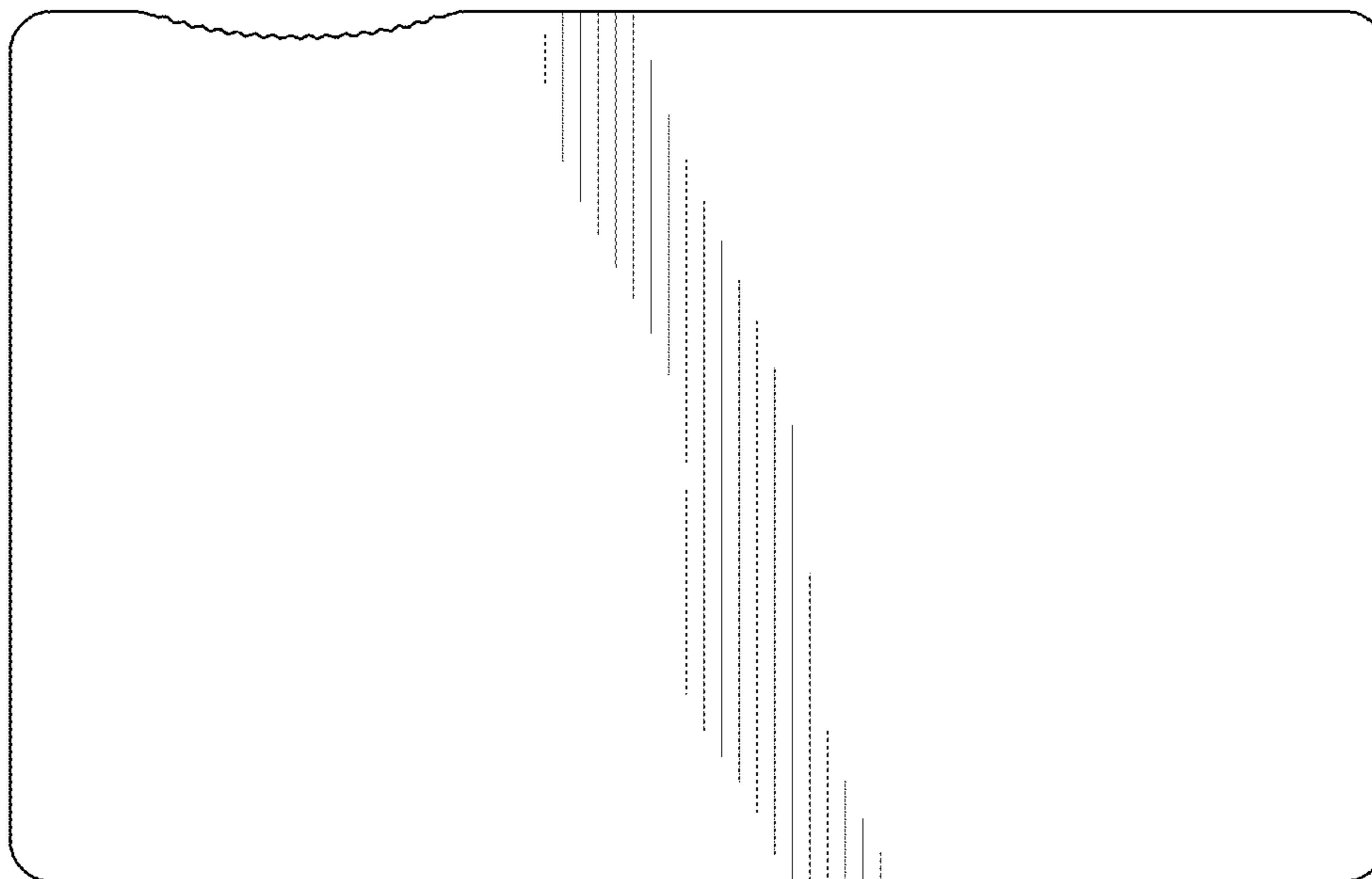


FIG. 17



FIG. 18



FIG. 19



FIG. 20



FIG. 21

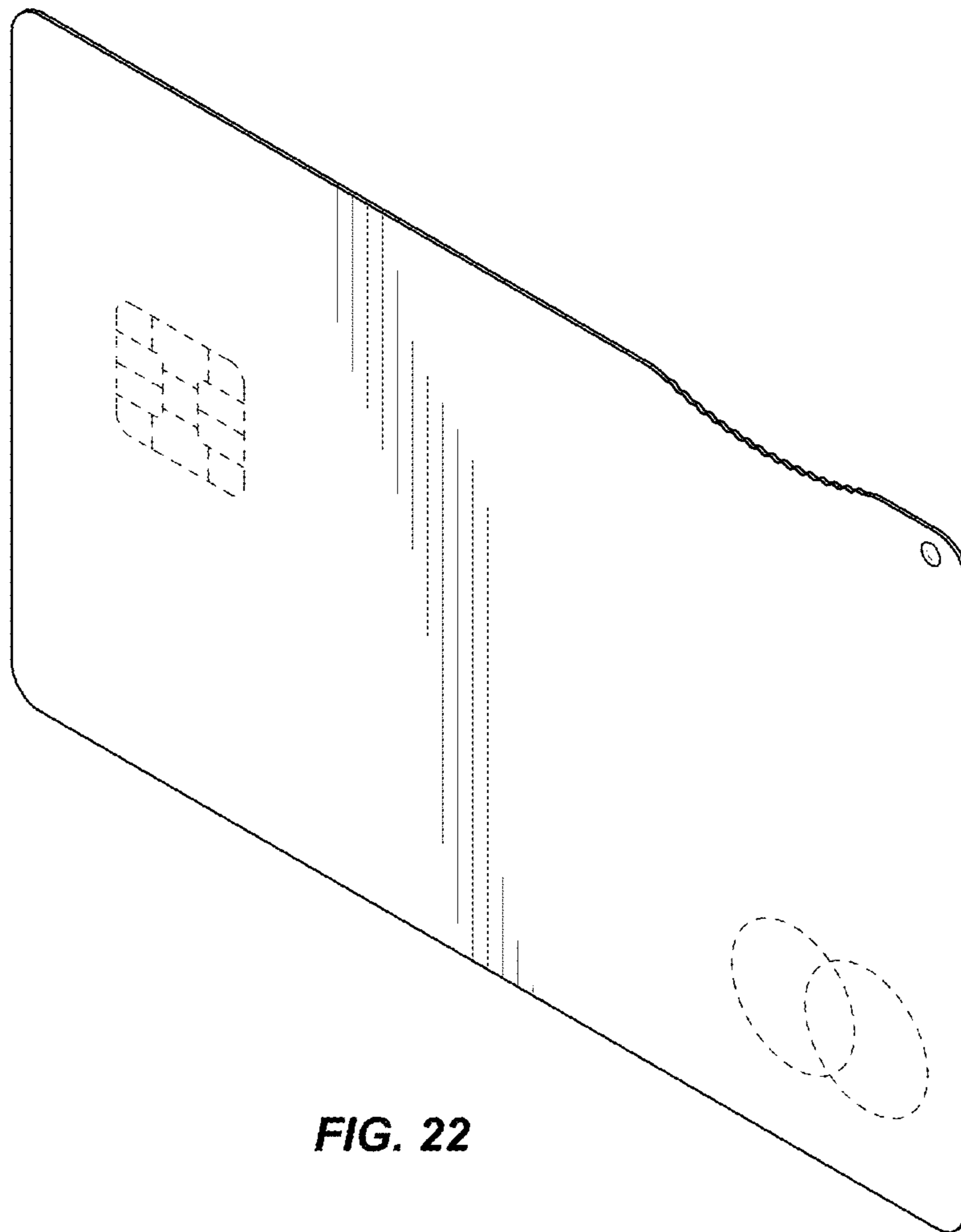


FIG. 22

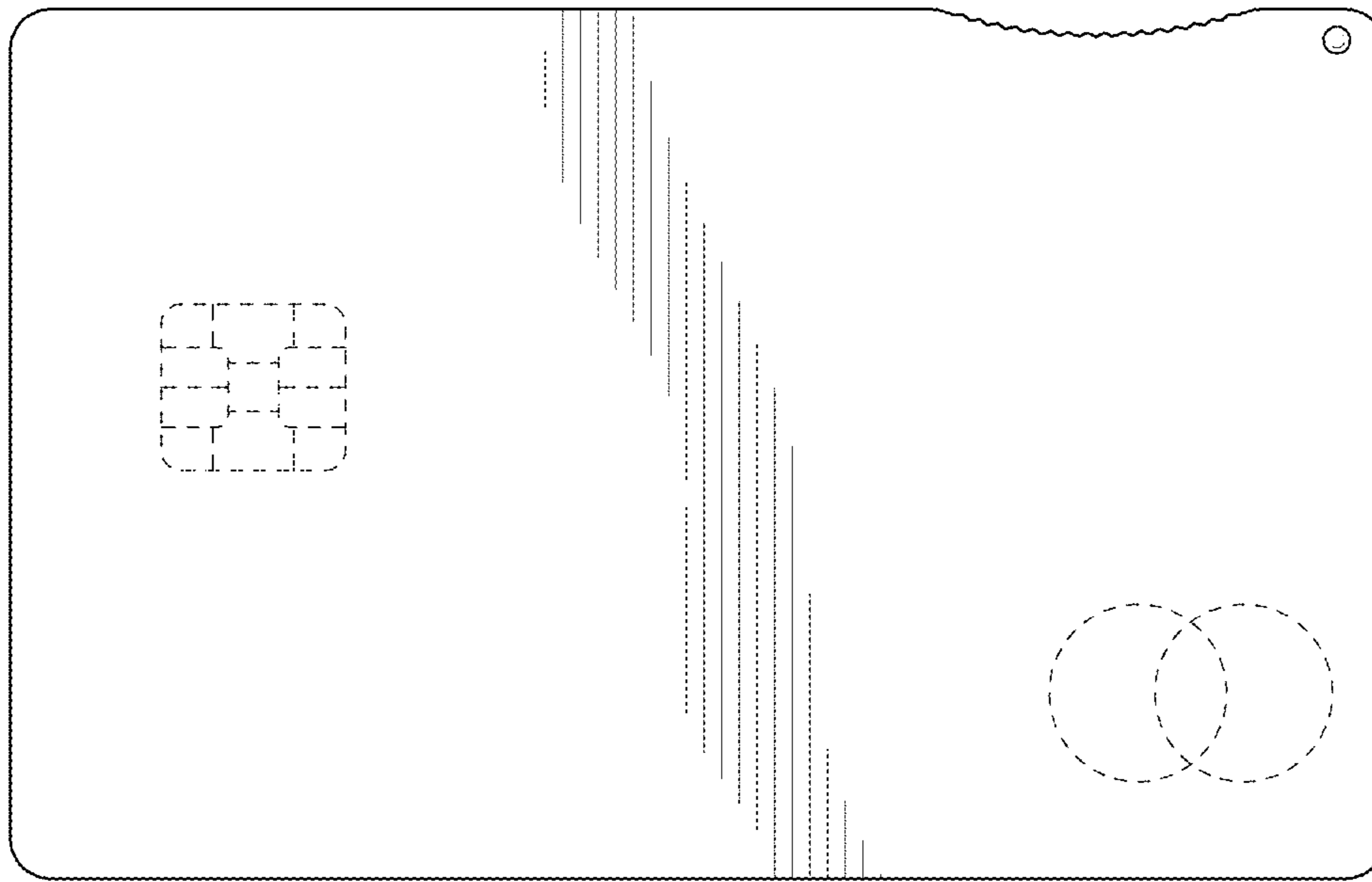


FIG. 23

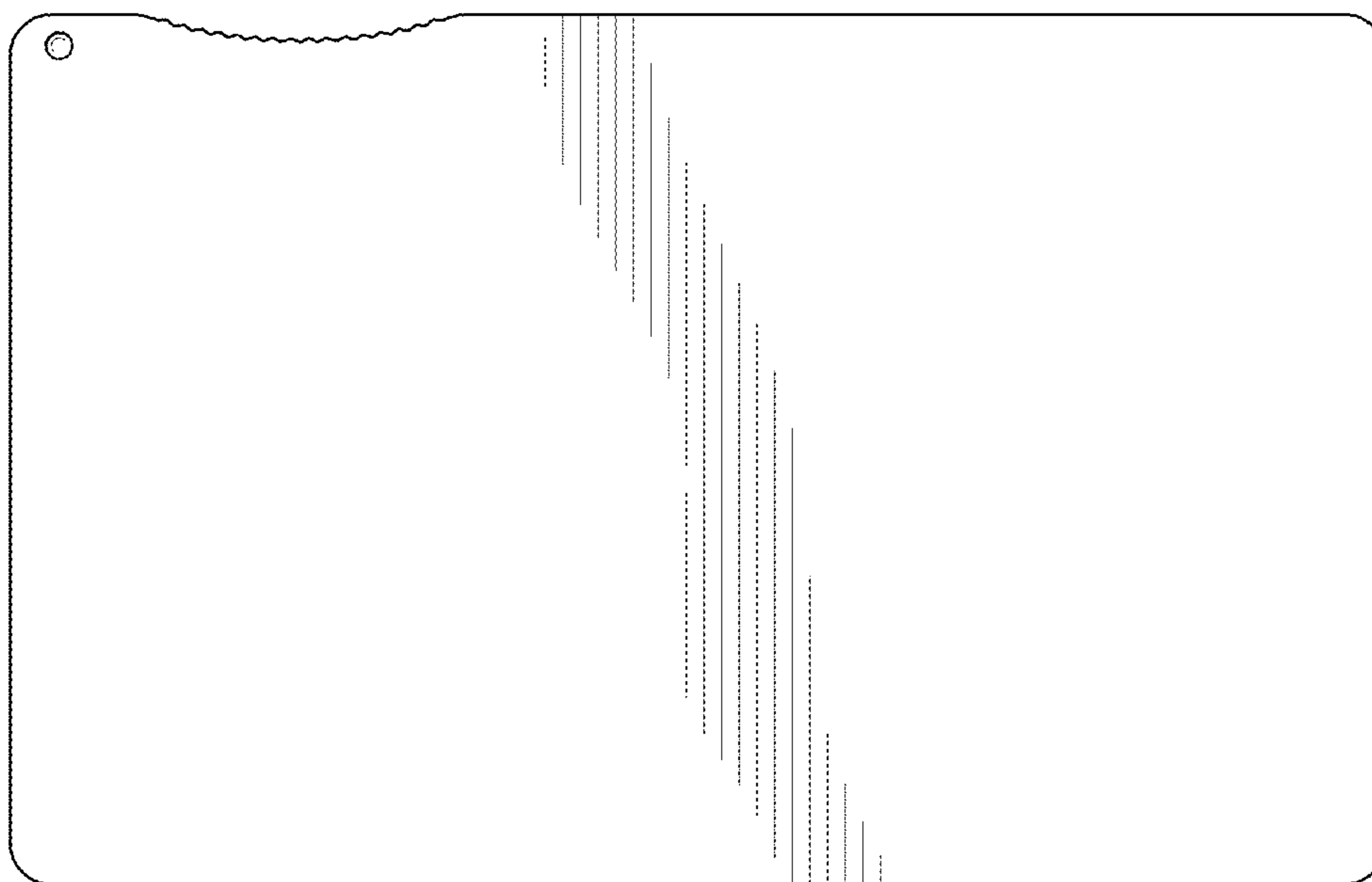


FIG. 24



FIG. 25

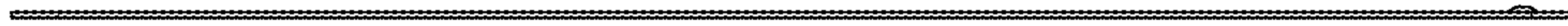


FIG. 26



FIG. 27



FIG. 28