



US00D937344S

(12) **United States Design Patent**
Feldman et al.

(10) **Patent No.:** **US D937,344 S**

(45) **Date of Patent:** **** Nov. 30, 2021**

(54) **HORN ARRAY**

(71) Applicant: **AFTAK Corporation**, Miami Gardens, FL (US)

(72) Inventors: **Arie Feldman**, Miami Gardens, FL (US); **Marco Gomez**, Miami Gardens, FL (US)

(73) Assignee: **Aftak Corporation**, Miami, FL (US)

(**) Term: **15 Years**

(21) Appl. No.: **29/716,785**

(22) Filed: **Dec. 12, 2019**

(51) **LOC (13) Cl.** **17-02**

(52) **U.S. Cl.**
USPC **D17/10**

(58) **Field of Classification Search**
USPC D17/10, 11, 13, 99; D21/405, 411
CPC .. G10D 7/00; G10D 7/02; G10D 7/06; G10D 7/063; G10D 7/066; G10D 7/08; G10D 7/10; G10D 9/00; G10D 9/02; G10D 9/025; G10D 9/10

See application file for complete search history.

(56) **References Cited**

U.S. PATENT DOCUMENTS

500,433	A *	6/1893	Schubert	G10D 7/02
					84/330
860,484	A *	7/1907	Keeler	G10D 7/02
					84/330
D122,160	S *	8/1940	Curtis	D10/120
D206,555	S *	12/1966	Wolfanger	D17/99
4,770,080	A *	9/1988	Jivoïn	G10D 7/02
					84/330
D419,099	S *	1/2000	Chen	D10/120
6,342,662	B1 *	1/2002	Chang	G10D 7/02
					84/330
D559,890	S *	1/2008	Malta	D17/99
D763,717	S *	8/2016	Chen	D10/120

FOREIGN PATENT DOCUMENTS

CA	2813225	A1 *	9/2011		
DE	699526	C *	11/1940	G10D 7/02
DE	2856657	A1 *	7/1980	G10D 7/02
DE	3624200	A1 *	1/1988	G10D 7/02

OTHER PUBLICATIONS

Ubuy. <https://www.ubuy.sk/en/product/1PCZMW5W-viping-car-horn-silver-four-double-row-horn-12v-170db-loudspeaker-solenoid-valve-waterproof-pipe-ele>. "Viping car Horn Silver Four Double Row Horn". Date Unknown: View Jul. 2021 (Year: 2021).*

* cited by examiner

Primary Examiner — R. Johnson

(74) *Attorney, Agent, or Firm* — Berger Singerman LLP; Geoffrey Lottenberg

(57) **CLAIM**

The ornamental design for a horn array, as shown and described.

DESCRIPTION

FIG. 1 is a perspective view of a horn array showing our new design;

FIG. 2 is a front elevational view thereof;

FIG. 3 is a rear elevational view thereof;

FIG. 4 is a left side elevational view thereof;

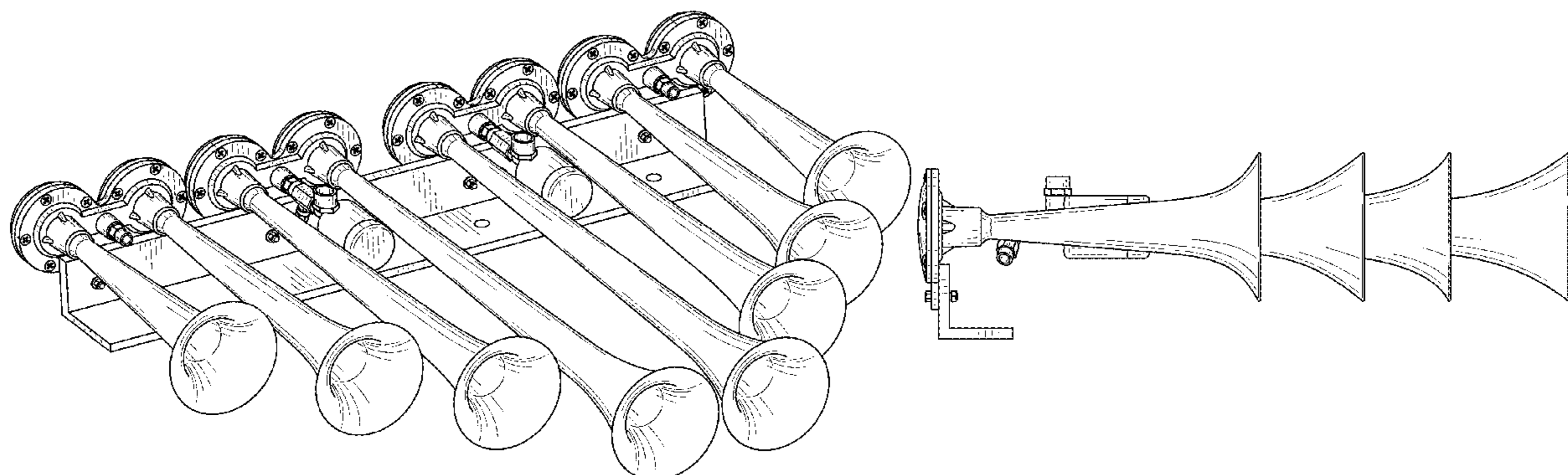
FIG. 5 is a right side elevational view thereof;

FIG. 6 is a top plan view thereof; and,

FIG. 7 is a bottom plan view thereof.

The broken lines shown in the drawings do not form part of the claimed design. The shading in the drawings is for illustrative purposes only and does not form part of the claimed design.

1 Claim, 5 Drawing Sheets



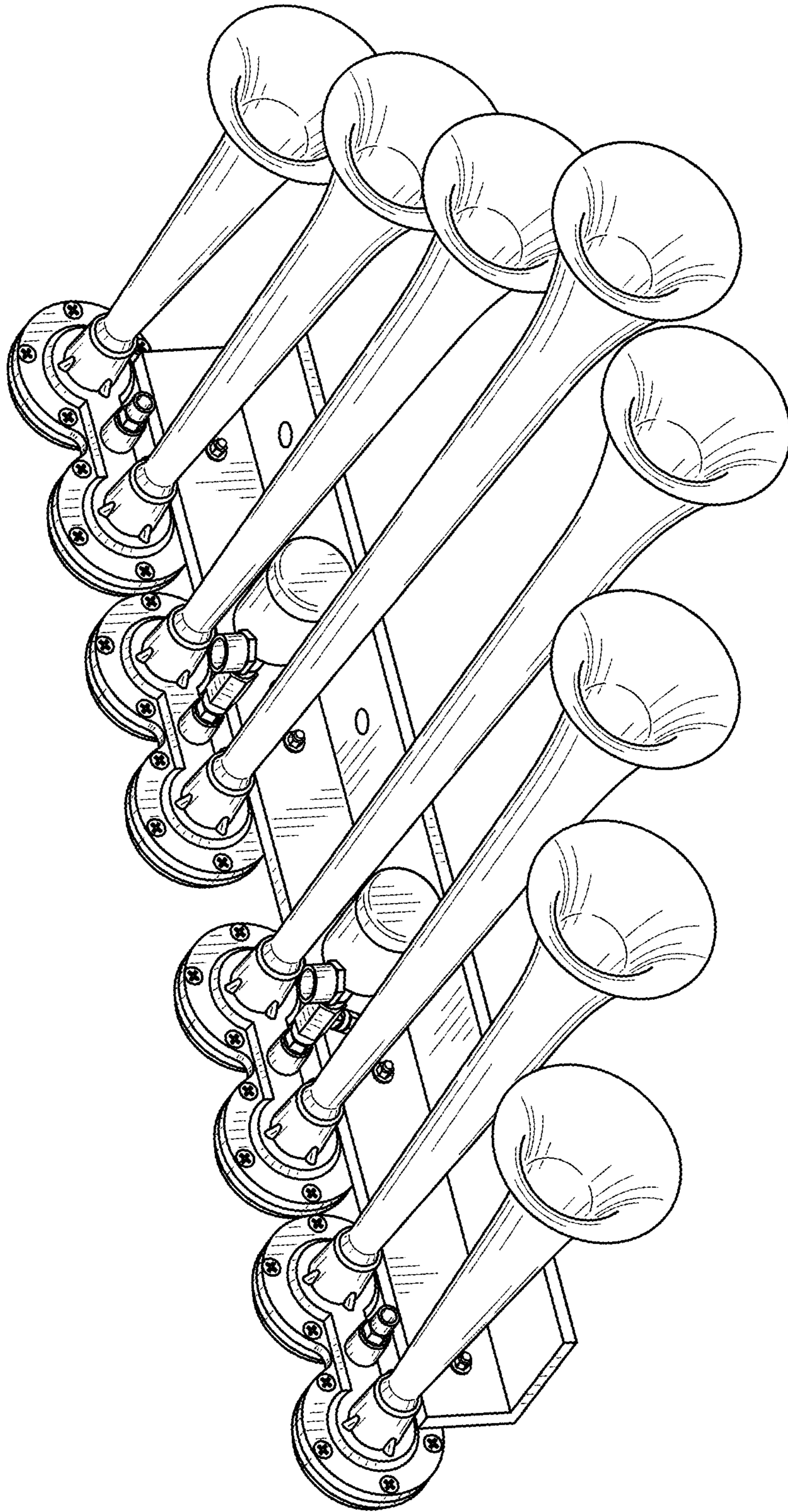


FIG. 1

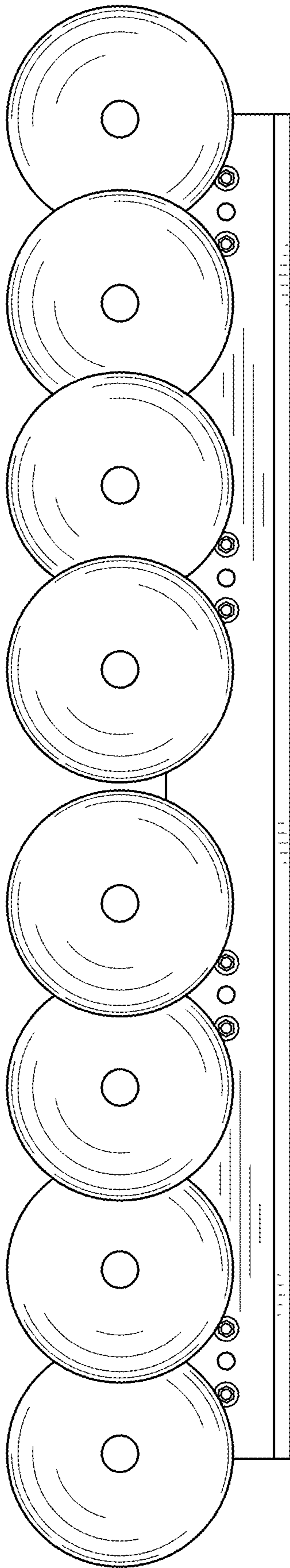


FIG. 2

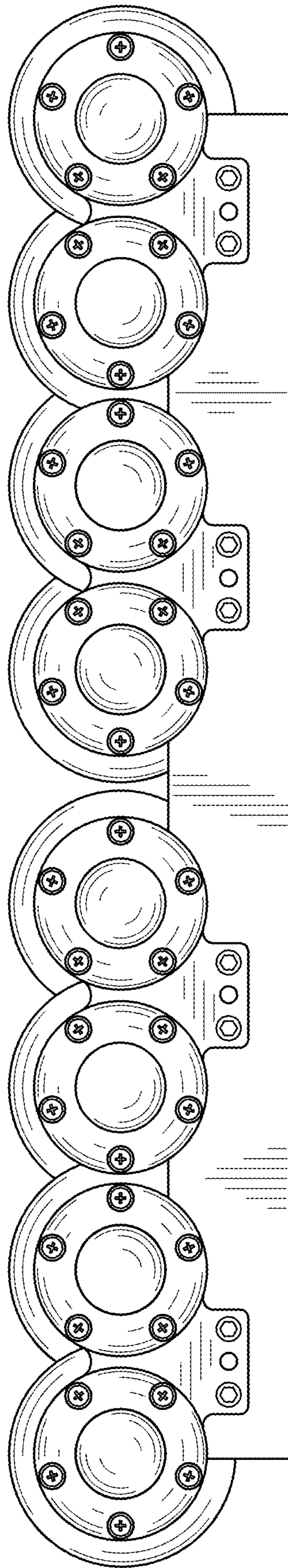


FIG. 3

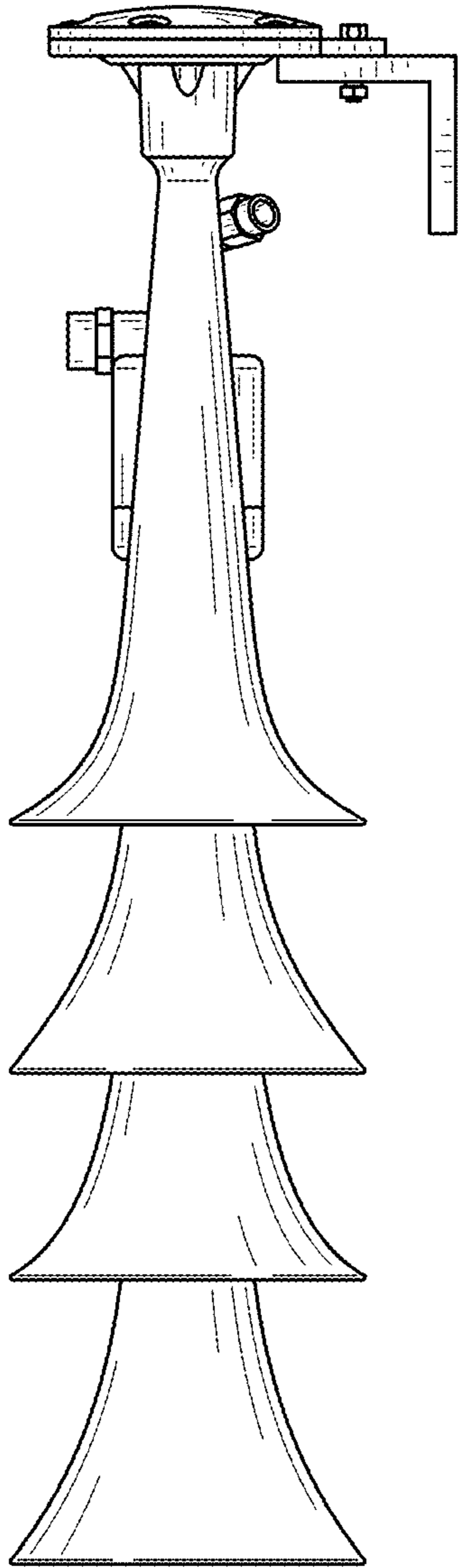


FIG. 4

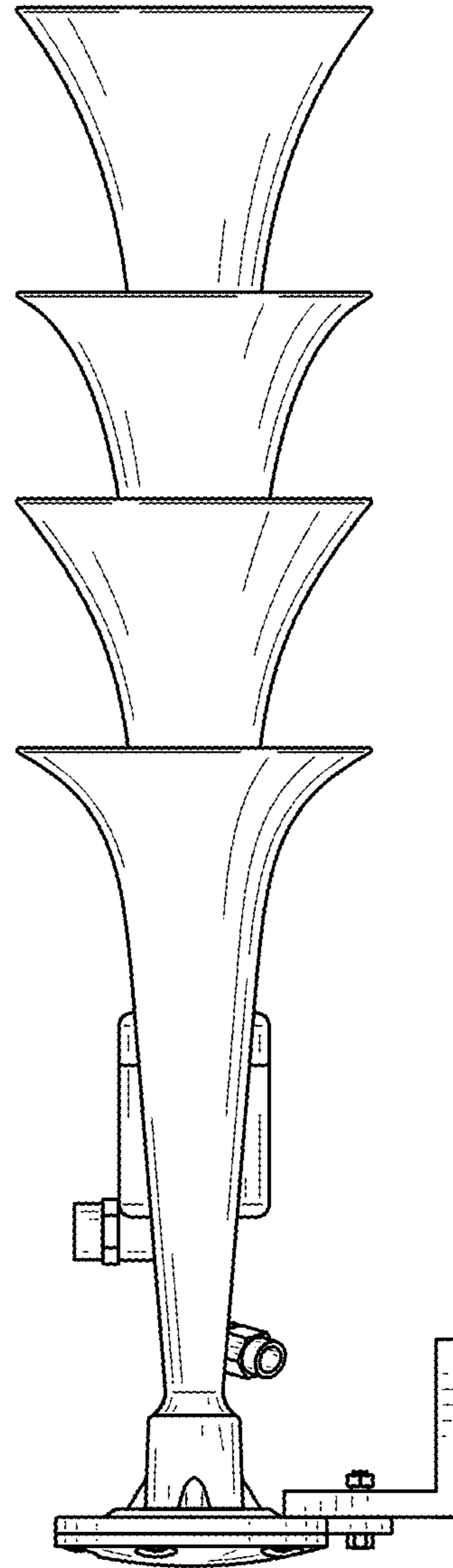


FIG. 5

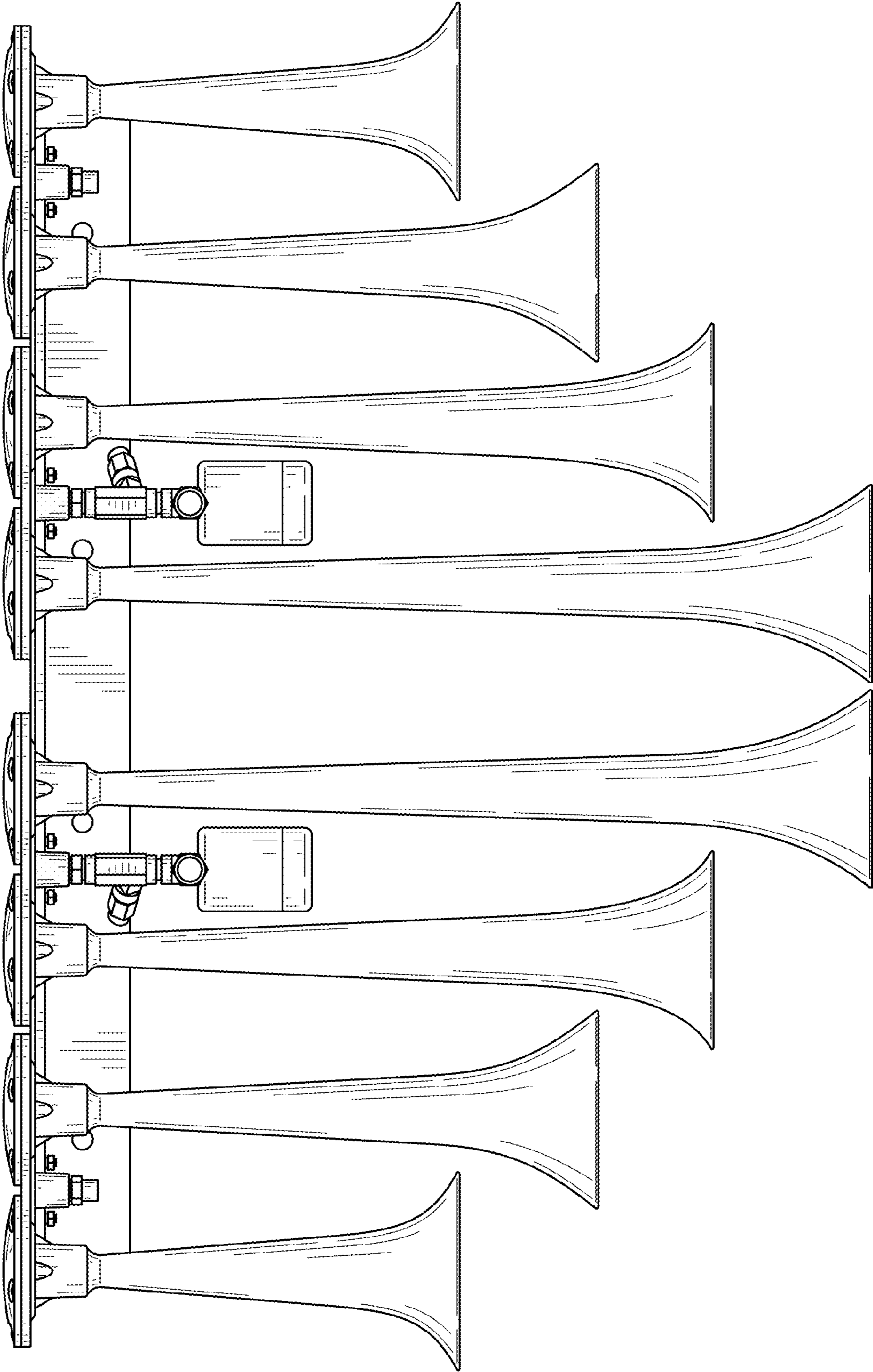


FIG. 6

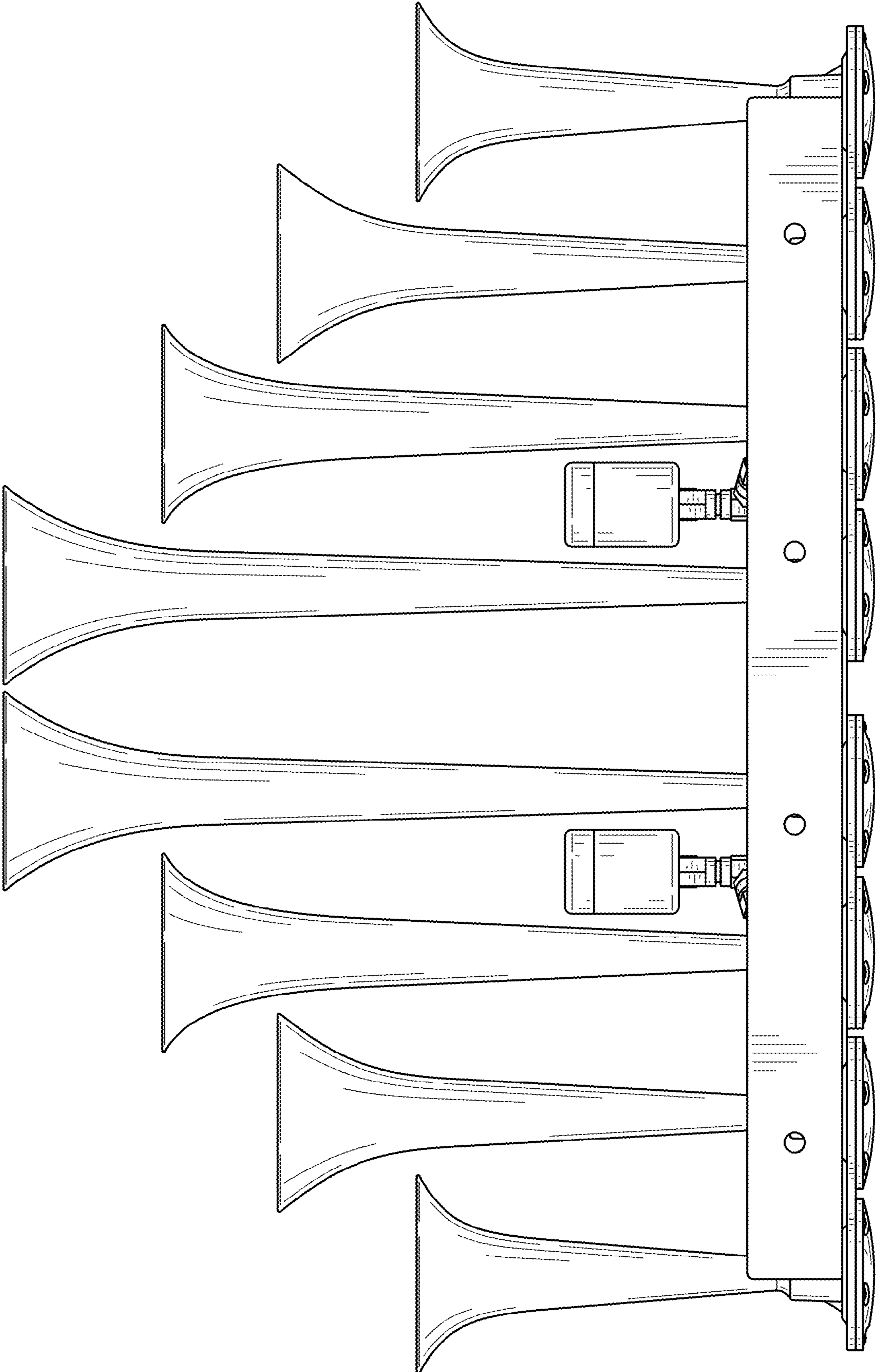


FIG. 7