



US00D937343S

(12) **United States Design Patent** (10) **Patent No.:** **US D937,343 S**
Miceli (45) **Date of Patent:** **** Nov. 30, 2021**

(54) **SUNGLASSES**

(71) Applicant: **LOUIS VUITTON MALLETIER**,
Paris (FR)

(72) Inventor: **Camille Miceli**, Paris (FR)

(73) Assignee: **Louis Vuitton Malletier**, Paris (FR)

(**) Term: **15 Years**

(21) Appl. No.: **29/694,874**

(22) Filed: **Jun. 13, 2019**

(30) **Foreign Application Priority Data**

Dec. 14, 2018 (EM) 05889839-0001

(51) **LOC (13) Cl.** **16-06**

(52) **U.S. Cl.**
USPC **D16/315**

(58) **Field of Classification Search**
USPC D16/300, 325, 314, 315, 321
CPC G02C 7/10
See application file for complete search history.

(56) **References Cited**

U.S. PATENT DOCUMENTS

D279,989 S * 8/1985 McNaughton D16/307
D437,871 S * 2/2001 Tortorella D16/314
D878,455 S * 3/2020 Bertrand D16/316

OTHER PUBLICATIONS

Bohemian Vuittony Mix Sunglasses, posted at us.louisvuitton.com, posting date not given, [online], [site visited Nov. 5, 2020], Available from Internet, URL: <https://us.louisvuitton.com/eng-us/products/bohemian-vuittony-mix-sunglasses-nvprod1980002v> (Year: 2020).*
Bohemian Vuittony Square Sunglasses, posted at us.louisvuitton.com, posting date not given, [online], [site visited Nov. 5, 2020], Available from Internet, URL: <https://us.louisvuitton.com/eng-us/products/bohemian-vuittony-square-sunglasses-nvprod1590091v> (Year: 2020).*

* cited by examiner

Primary Examiner — George D. Kirschbaum

Assistant Examiner — Maria J. Edwards

(74) *Attorney, Agent, or Firm* — Fross Zelnick Lehrman & Zissu, P.C.; Charles T. J. Weigell, Esq.

(57) **CLAIM**

The ornamental design for sunglasses, as shown and described.

DESCRIPTION

FIG. 1 is a front perspective view of sunglasses showing my new design;

FIG. 2 is a front view of thereof;

FIG. 3 is a back view of thereof;

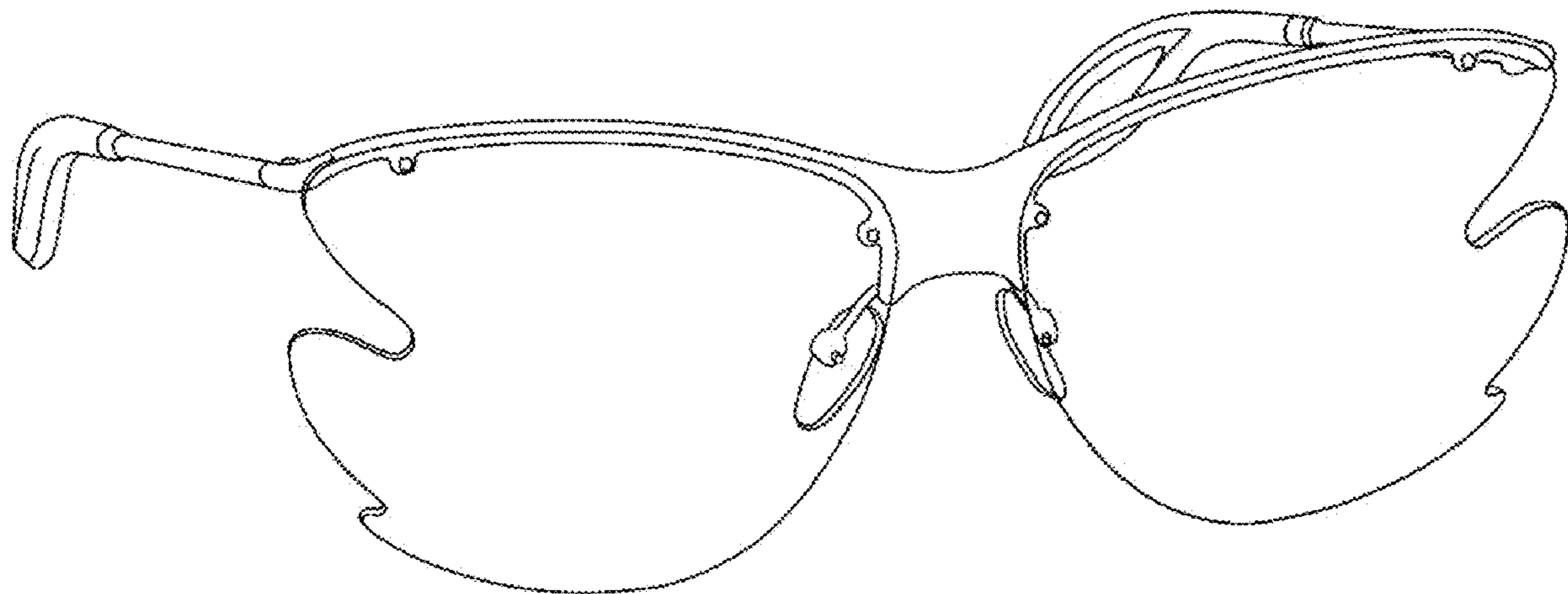
FIG. 4 is a left side view thereof;

FIG. 5 is a right side view thereof;

FIG. 6 is a top view thereof; and,

FIG. 7 is a bottom view thereof.

1 Claim, 7 Drawing Sheets



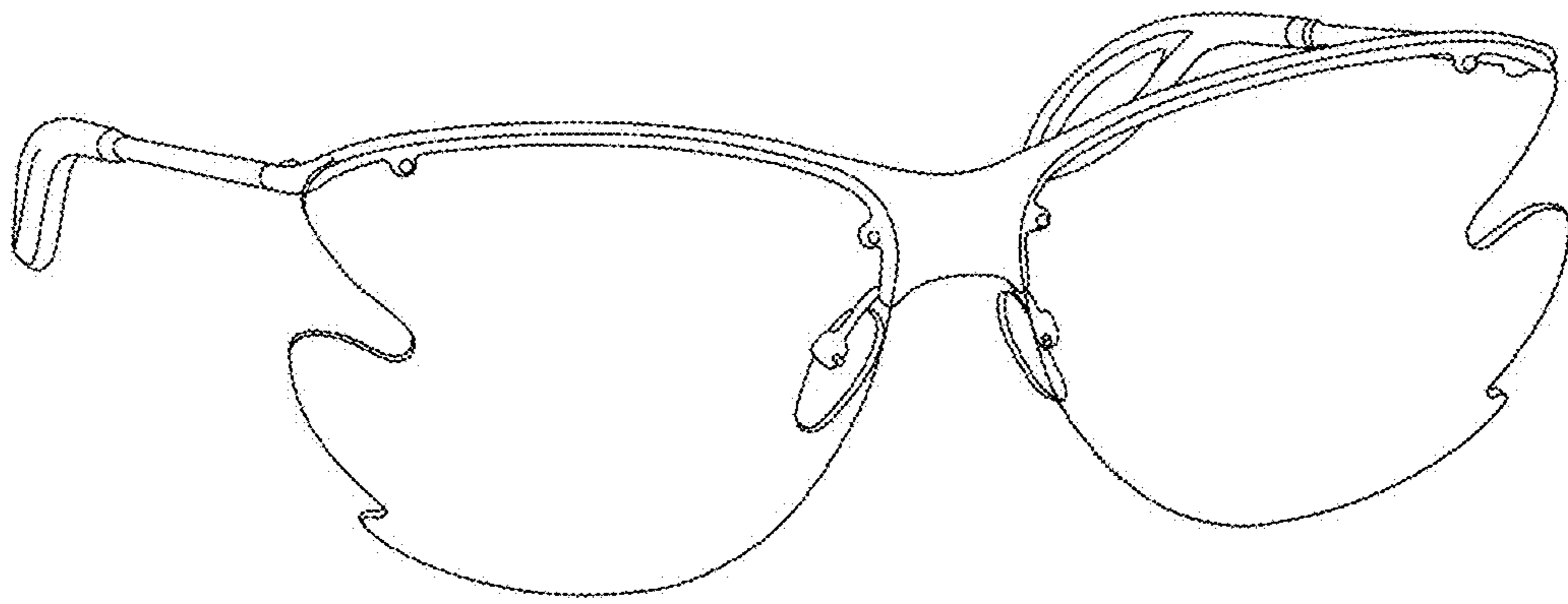


FIG. 1

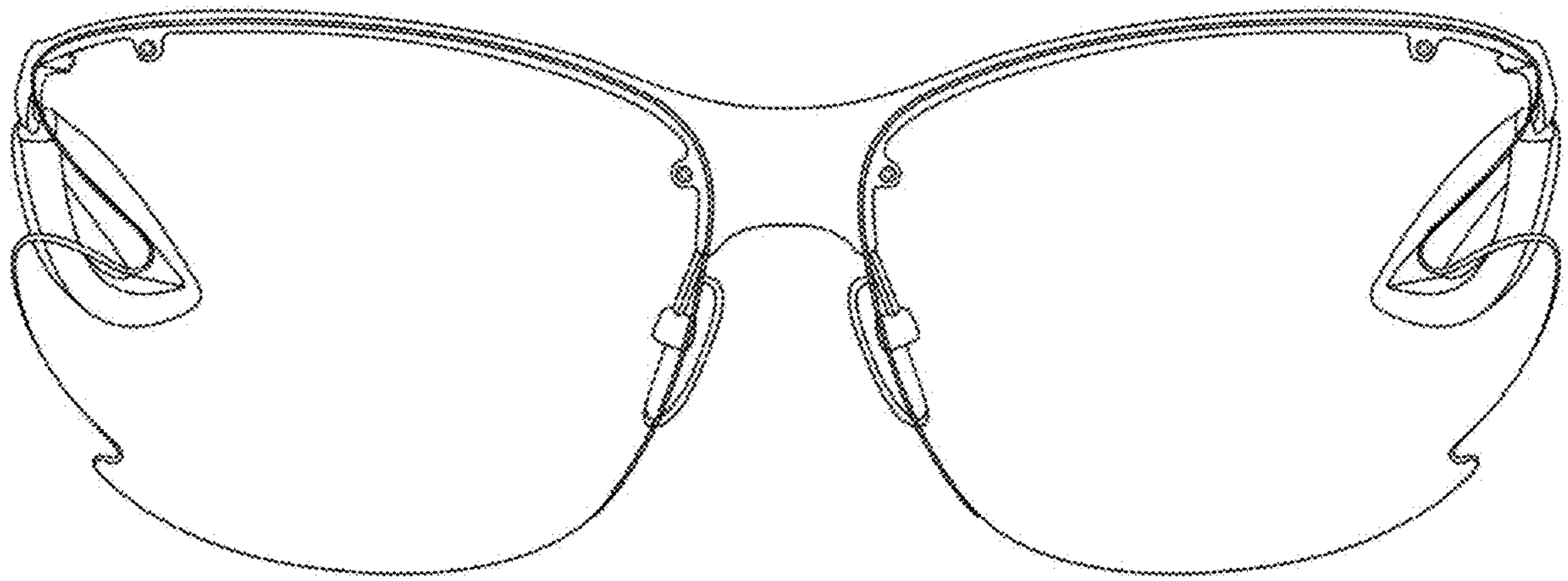


FIG. 2

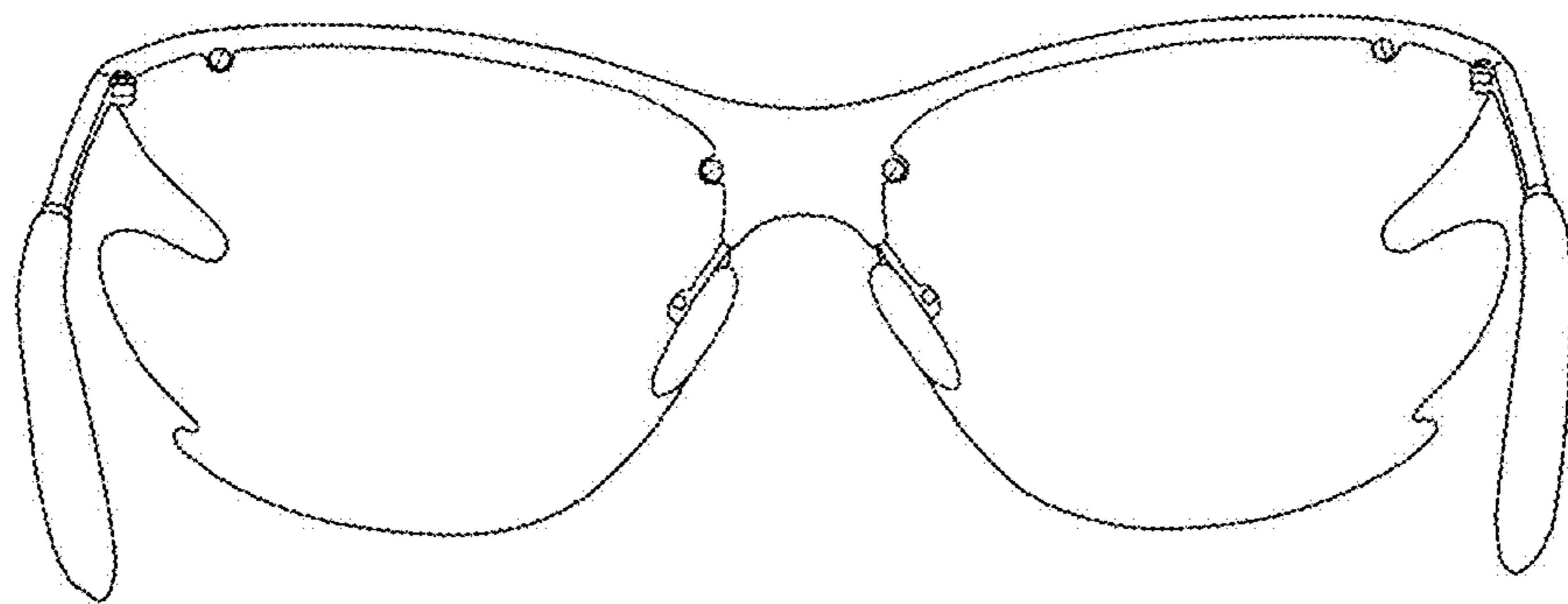


FIG. 3

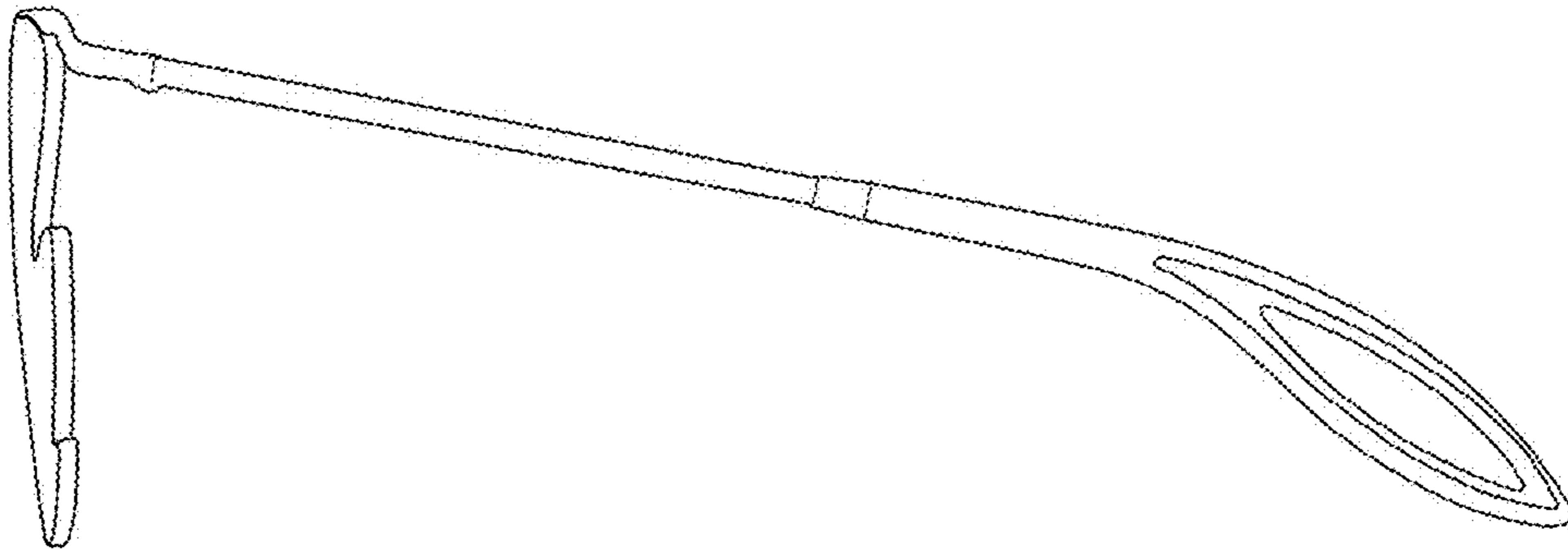


FIG. 4

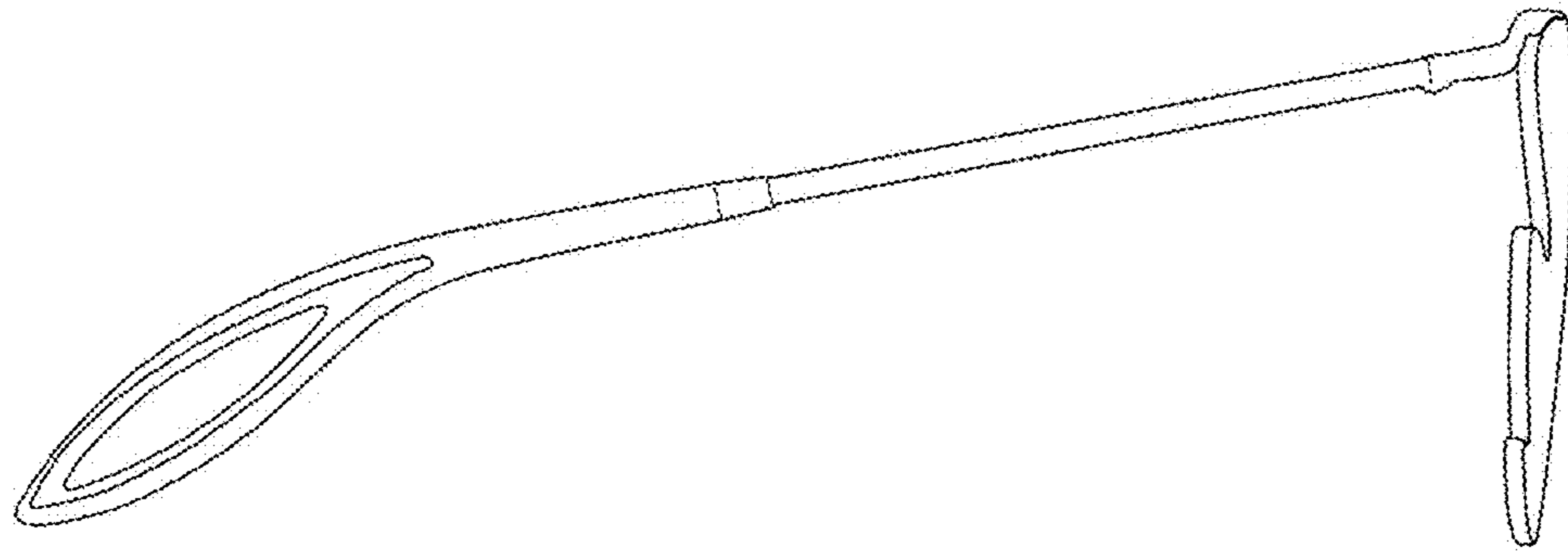


FIG. 5

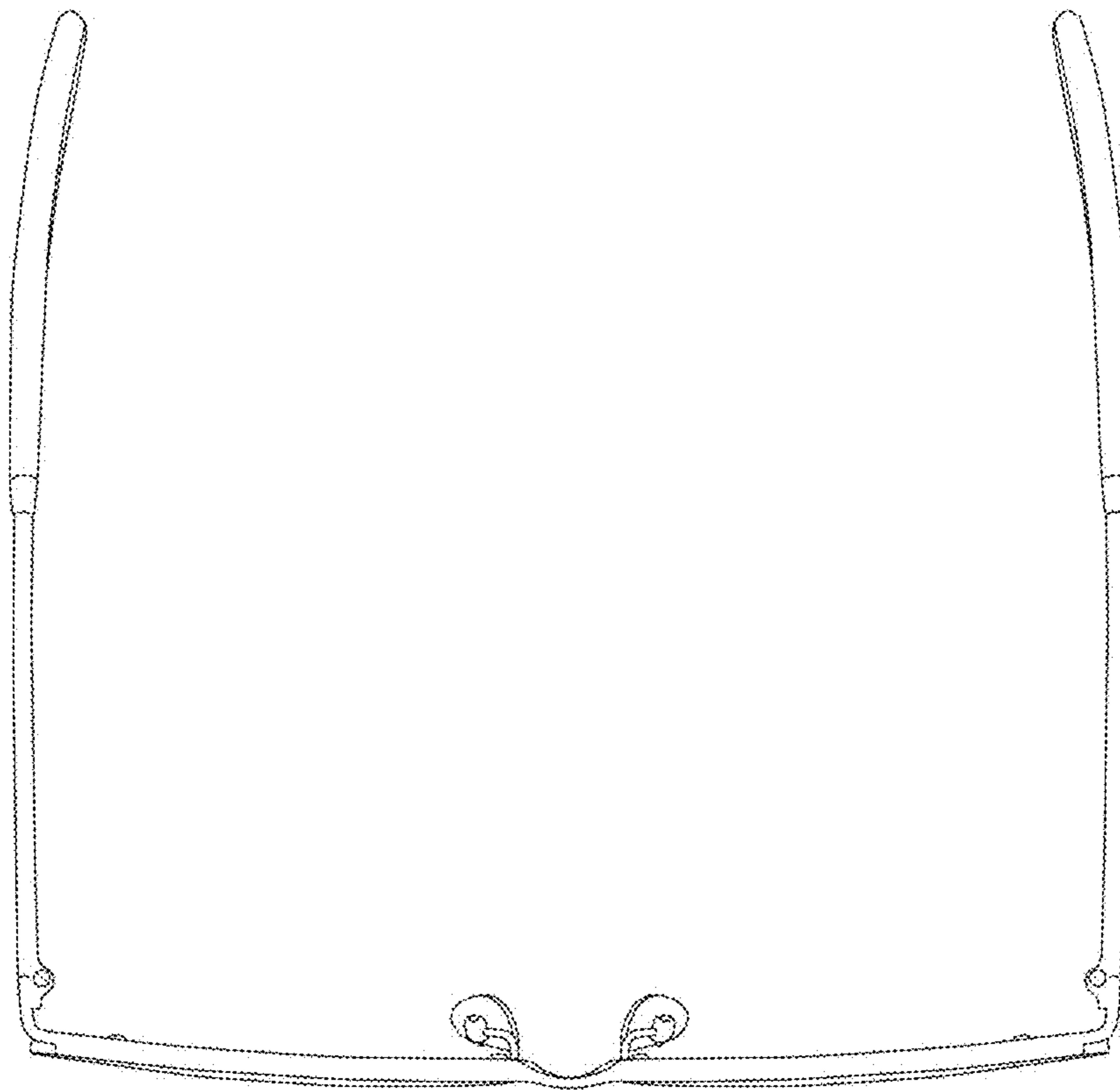


FIG. 6

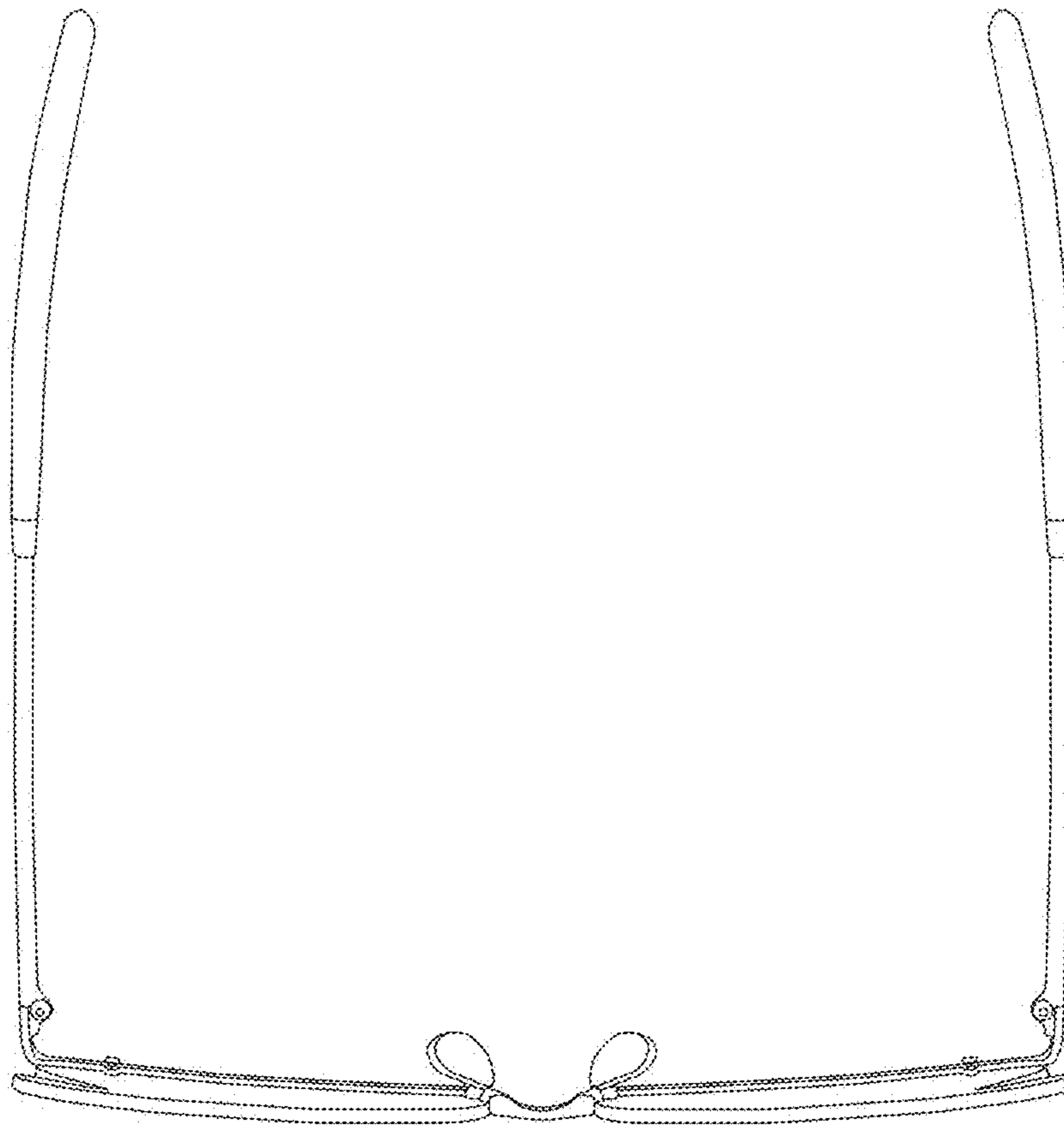


FIG. 7