



US00D937341S

(12) **United States Design Patent** (10) **Patent No.:** **US D937,341 S**
Sasaki (45) **Date of Patent:** **** Nov. 30, 2021**

(54) **DIGITAL STILL CAMERA**
(71) Applicant: **Panasonic Intellectual Property Management Co., Ltd., Osaka (JP)**

(72) Inventor: **Atsushi Sasaki, Hyogo (JP)**

(73) Assignee: **Panasonic Intellectual Property Management Co., Ltd., Osaka (JP)**

(**) Term: **15 Years**

(21) Appl. No.: **29/717,234**

(22) Filed: **Dec. 16, 2019**

(51) **LOC (13) Cl.** **16-05**

(52) **U.S. Cl.**
USPC **D16/219**

(58) **Field of Classification Search**
USPC D16/200, 202–206, 208, 209, 218, 219;
348/294, 373–376; 359/826; 396/6, 301,
396/529, 535, 539–541
CPC G03B 15/03; G03B 17/02; G03B 17/04;
G03B 17/08; G03B 17/56; G03B 19/04;
H04N 5/2251; H04N 5/2252; H04N
5/2253; H04N 5/2254; H04N 2101/00
See application file for complete search history.

(56) **References Cited**

U.S. PATENT DOCUMENTS

D557,312 S * 12/2007 Katayama D16/202
D701,257 S * 3/2014 Ogawa D16/202
D724,130 S * 3/2015 Ham D16/202
D727,990 S * 4/2015 Sakai
9,826,134 B2 * 11/2017 Ohtsuka H04R 3/005
D838,764 S * 1/2019 Imai D16/219
D855,679 S * 8/2019 Takagi D16/219
D856,395 S * 8/2019 Takagi D16/219

D872,163 S * 1/2020 Imai D16/219
D885,465 S * 5/2020 Kitade D16/219
2015/0107051 A1 * 4/2015 Sakai H04N 5/2252
16/223

(Continued)

FOREIGN PATENT DOCUMENTS

JP D1573659 4/2017
JP D1573871 4/2017
JP D1646326 11/2019

Primary Examiner — Ramzi Almatrahi

(74) *Attorney, Agent, or Firm* — Crowell & Moring LLP

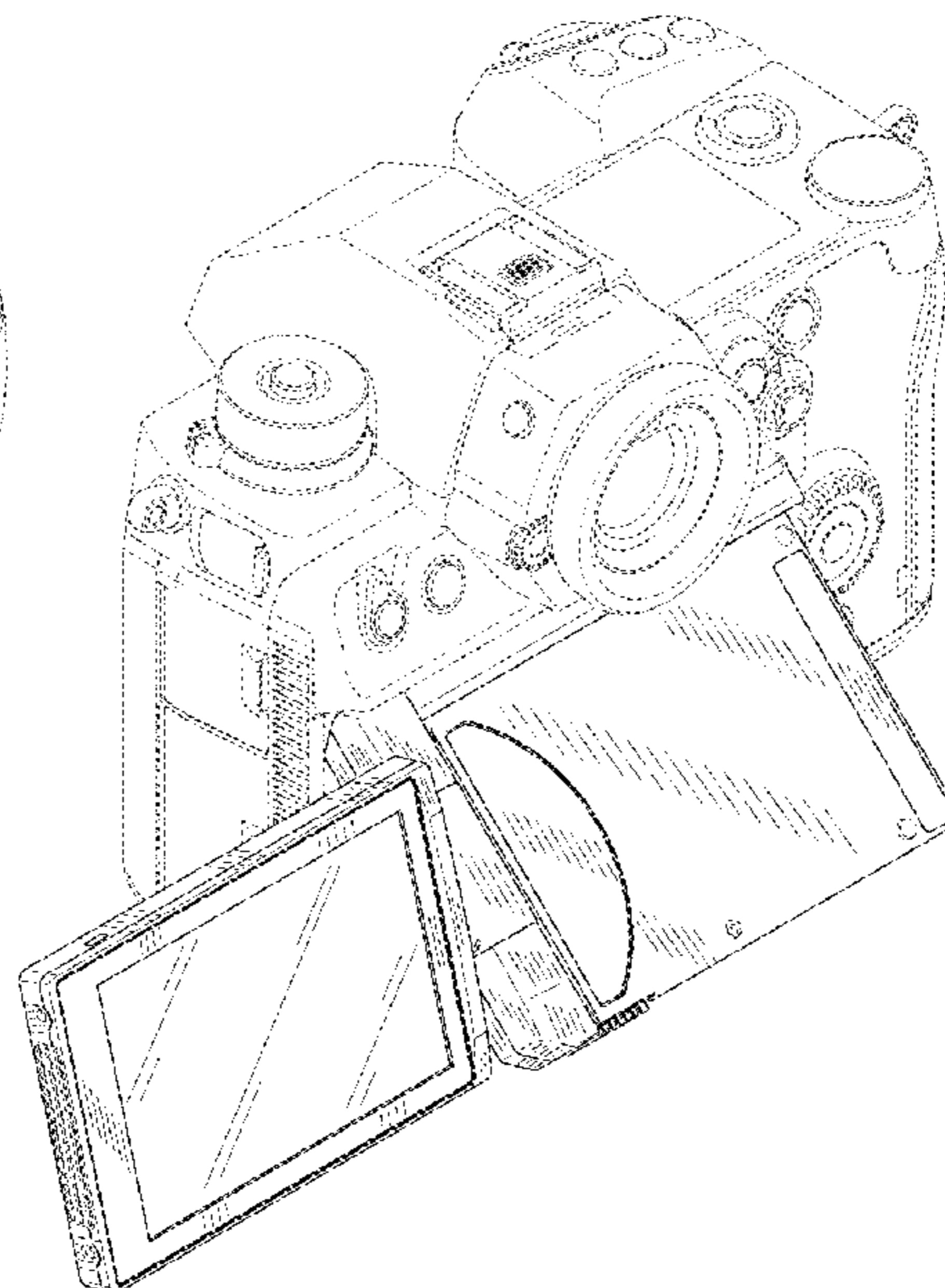
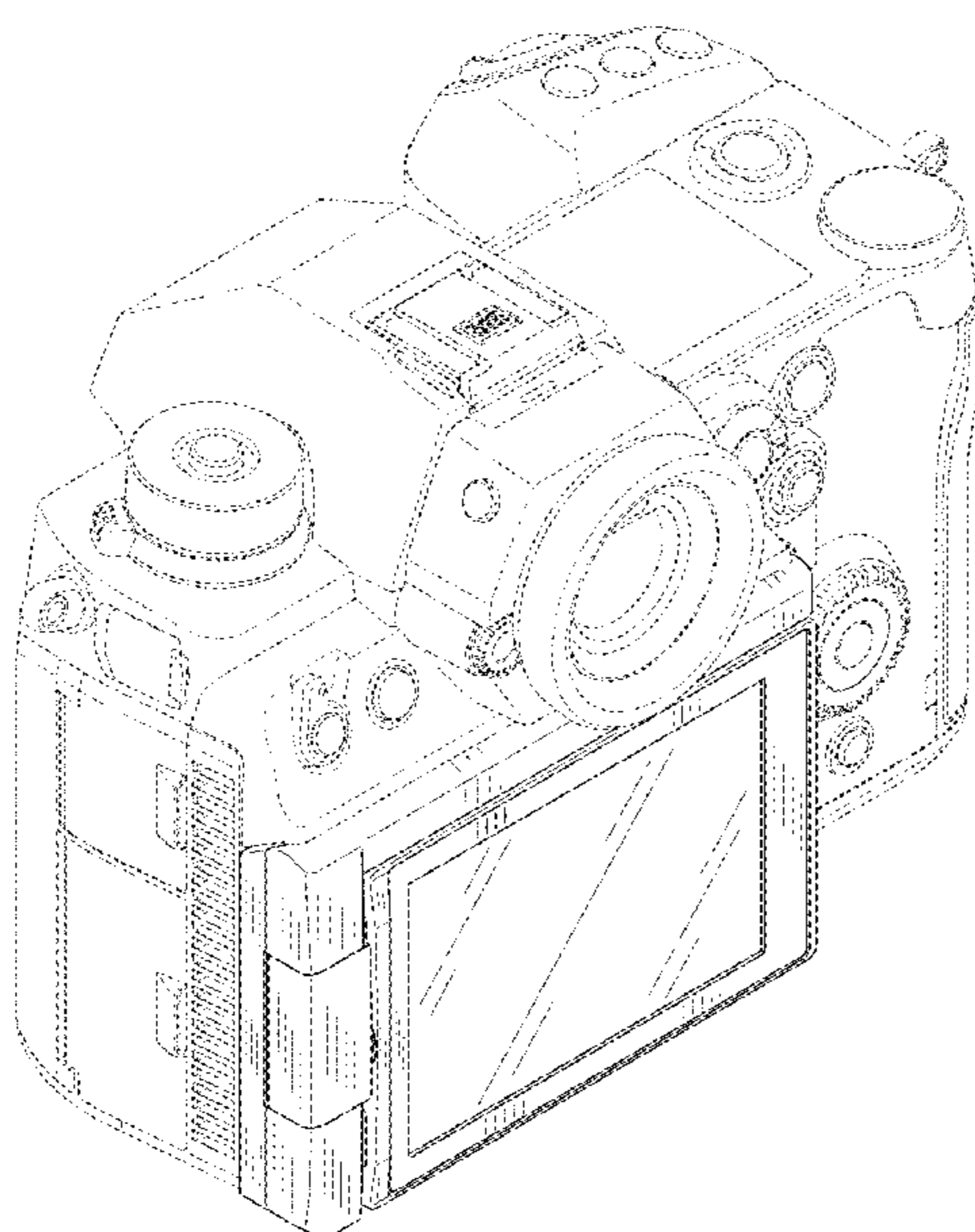
(57) **CLAIM**

I claim the ornamental design for a digital still camera, as shown and described.

DESCRIPTION

FIG. 1 is a top, rear and right side perspective view of a digital still camera showing my new design;
FIG. 2 is a rear view thereof;
FIG. 3 is a left side view thereof;
FIG. 4 is a right side view thereof;
FIG. 5 is a top view thereof;
FIG. 6 is a bottom view thereof;
FIG. 7 is a top, rear and left side perspective view thereof, shown with the display screen in an alternate configuration;
FIG. 8 is a top, rear and right side perspective view thereof, shown with the display screen in an alternate configuration;
FIG. 9 is a rear view thereof;
FIG. 10 is a left side view thereof;
FIG. 11 is a right side view thereof;
FIG. 12 is a top view thereof;
FIG. 13 is a bottom view thereof; and,
FIG. 14 is a top, rear and right side perspective view thereof, shown with the display screen in an alternate configuration. The even broken lines depict portions of the digital still camera in which the design is embodied that form no part of the claimed design.

1 Claim, 14 Drawing Sheets



(56)

References Cited

U.S. PATENT DOCUMENTS

2016/0252798 A1* 9/2016 Igi H04N 5/2252
348/375
2017/0078535 A1* 3/2017 Akiyama G03B 17/02

* cited by examiner

FIG. 1

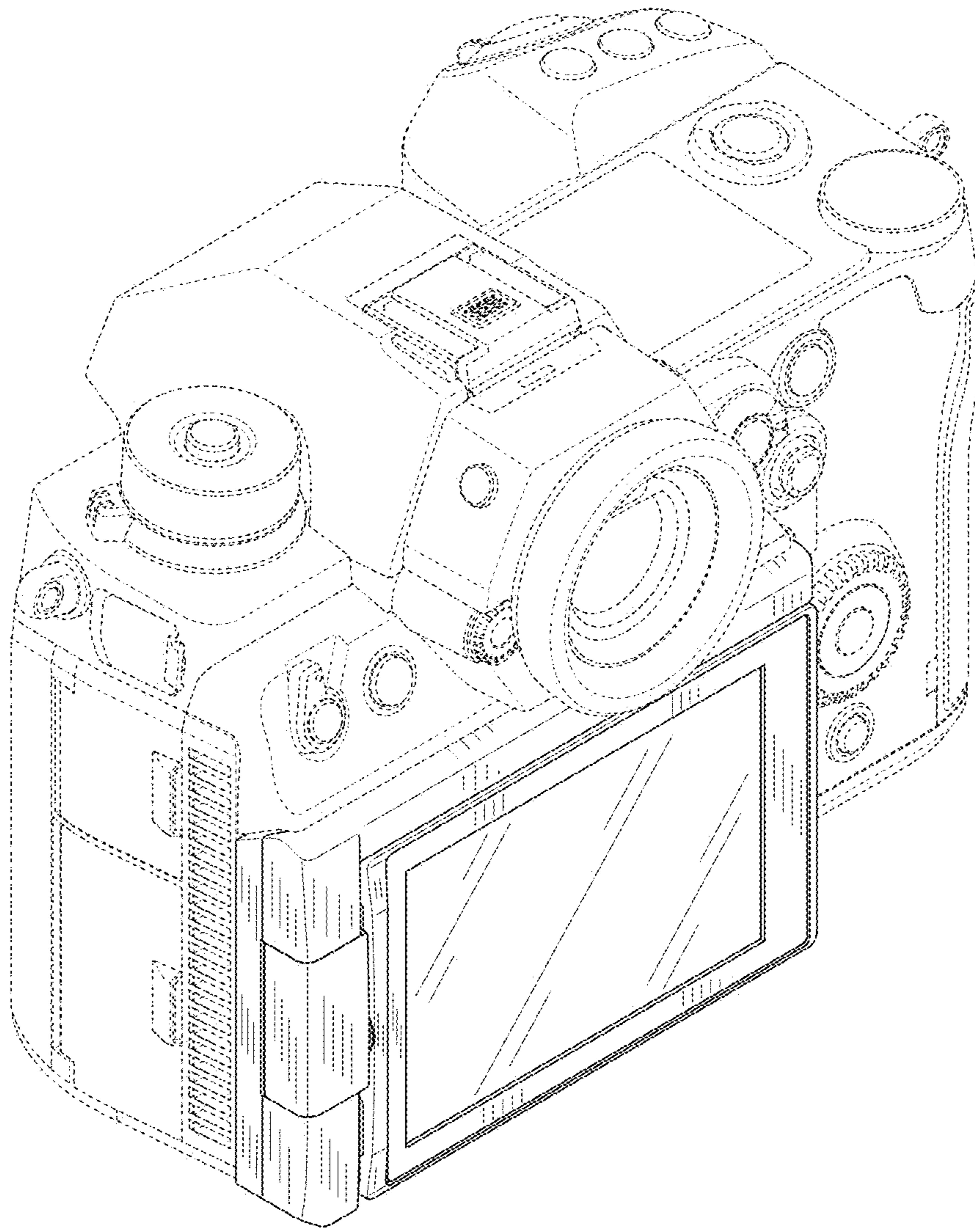


FIG. 2

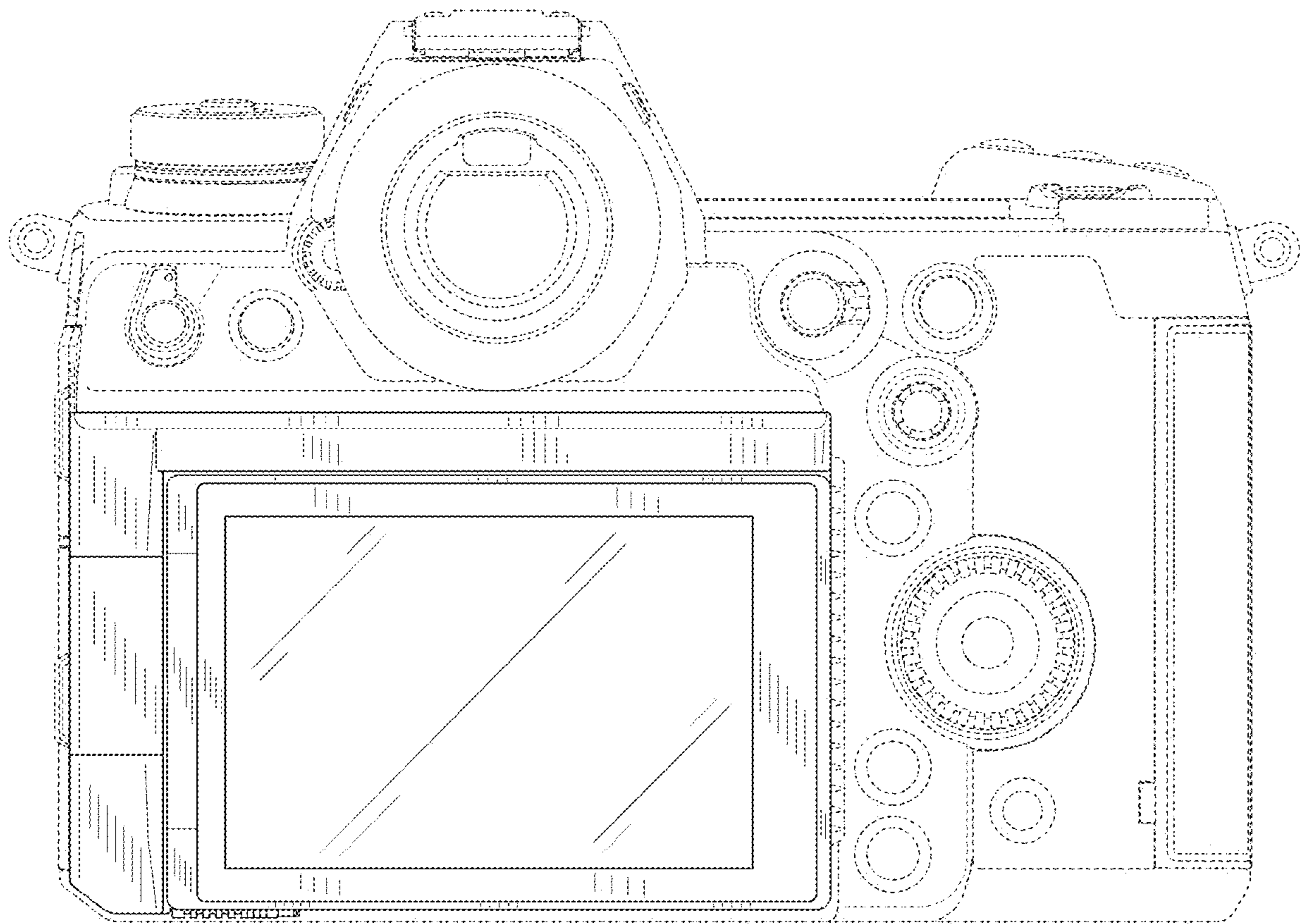


FIG. 3

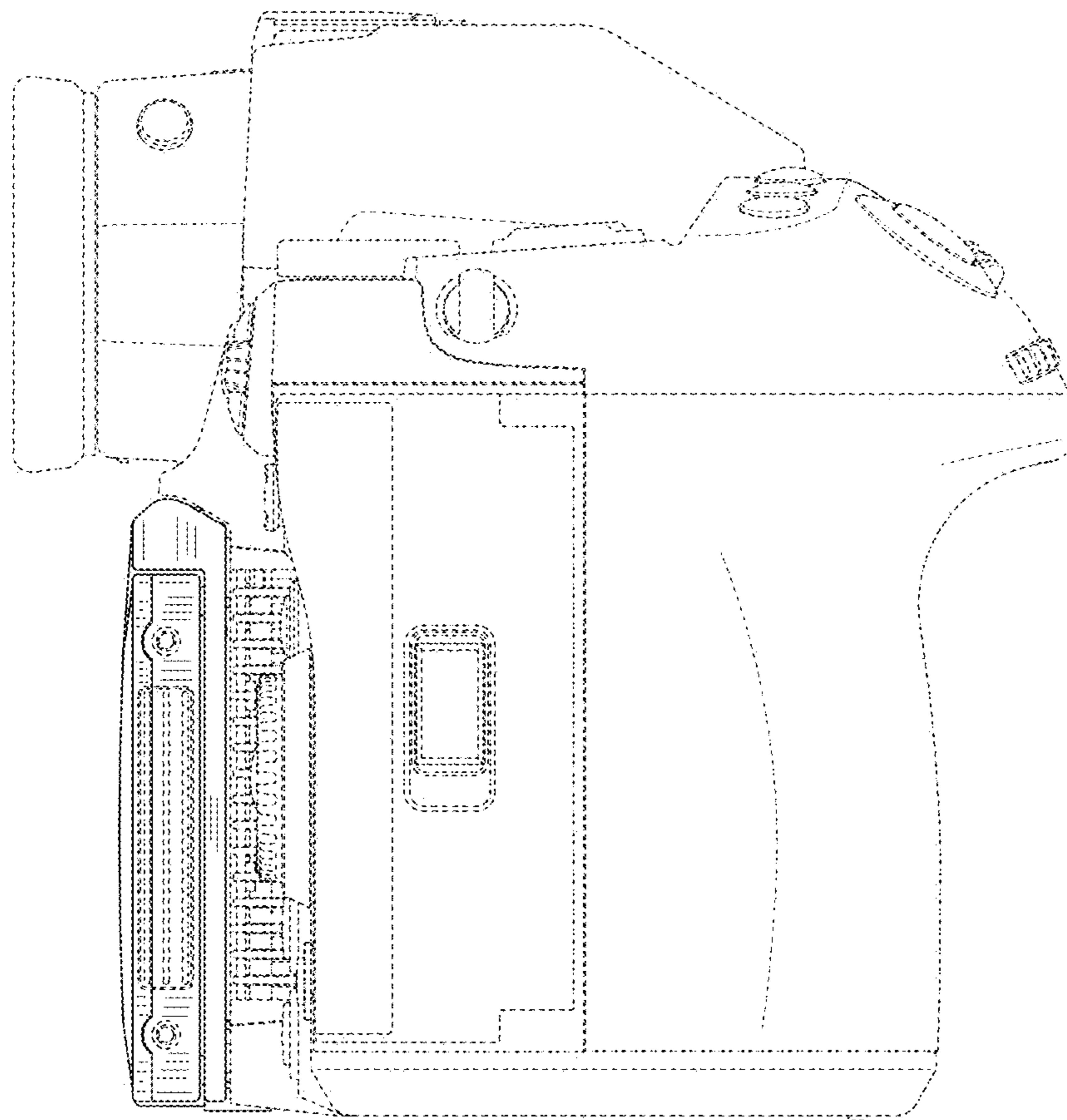


FIG. 4

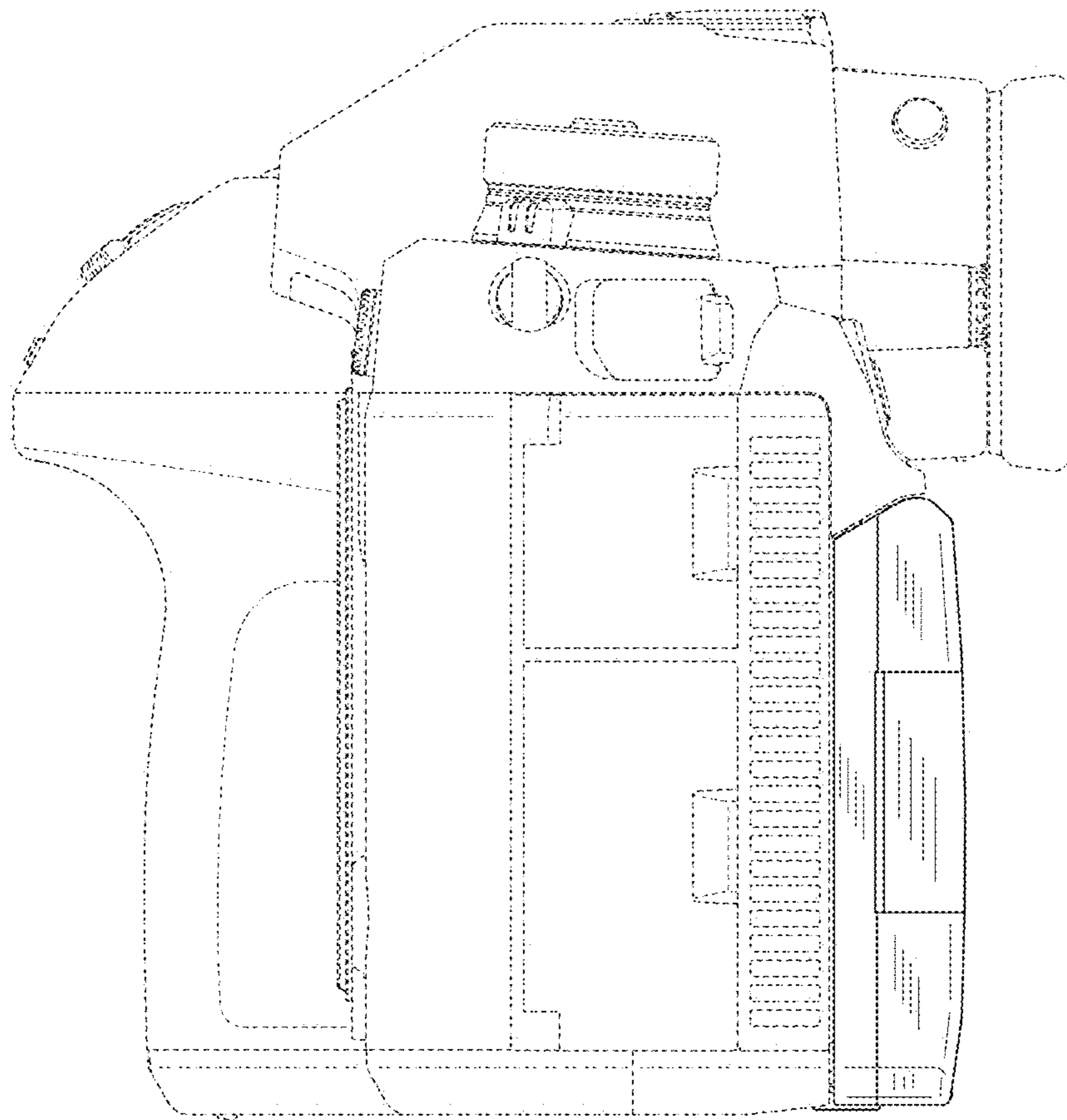


FIG. 5

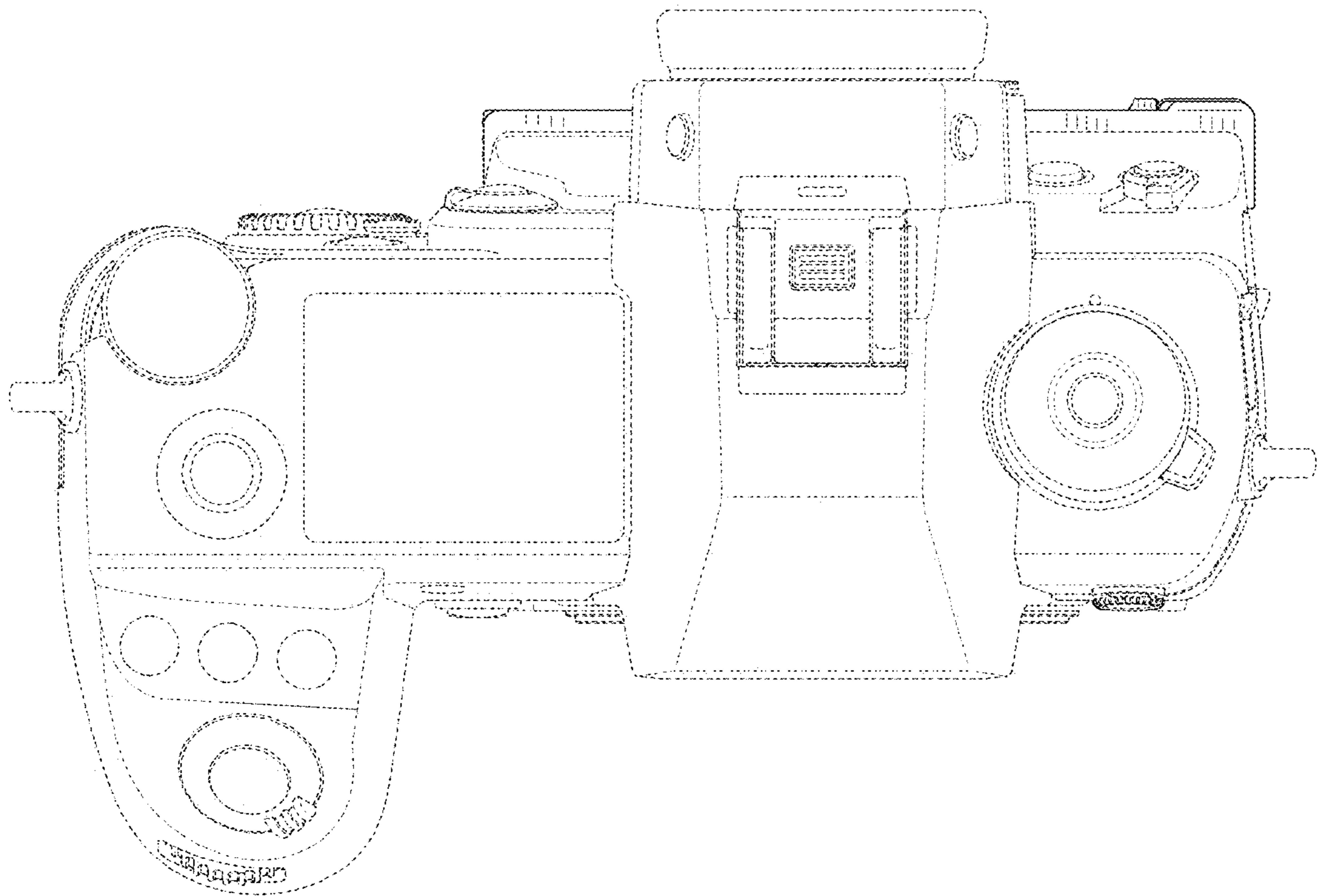


FIG. 6

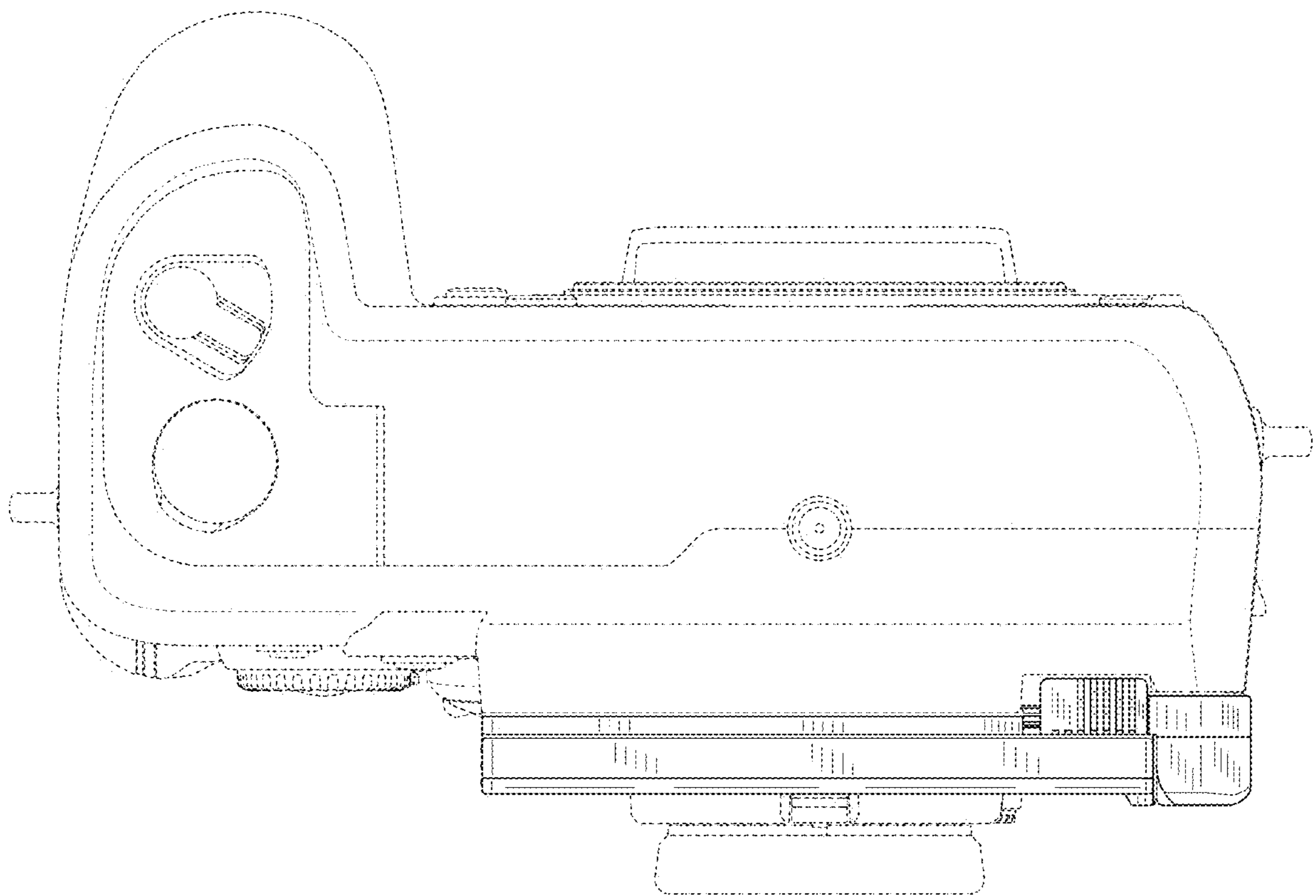


FIG. 7

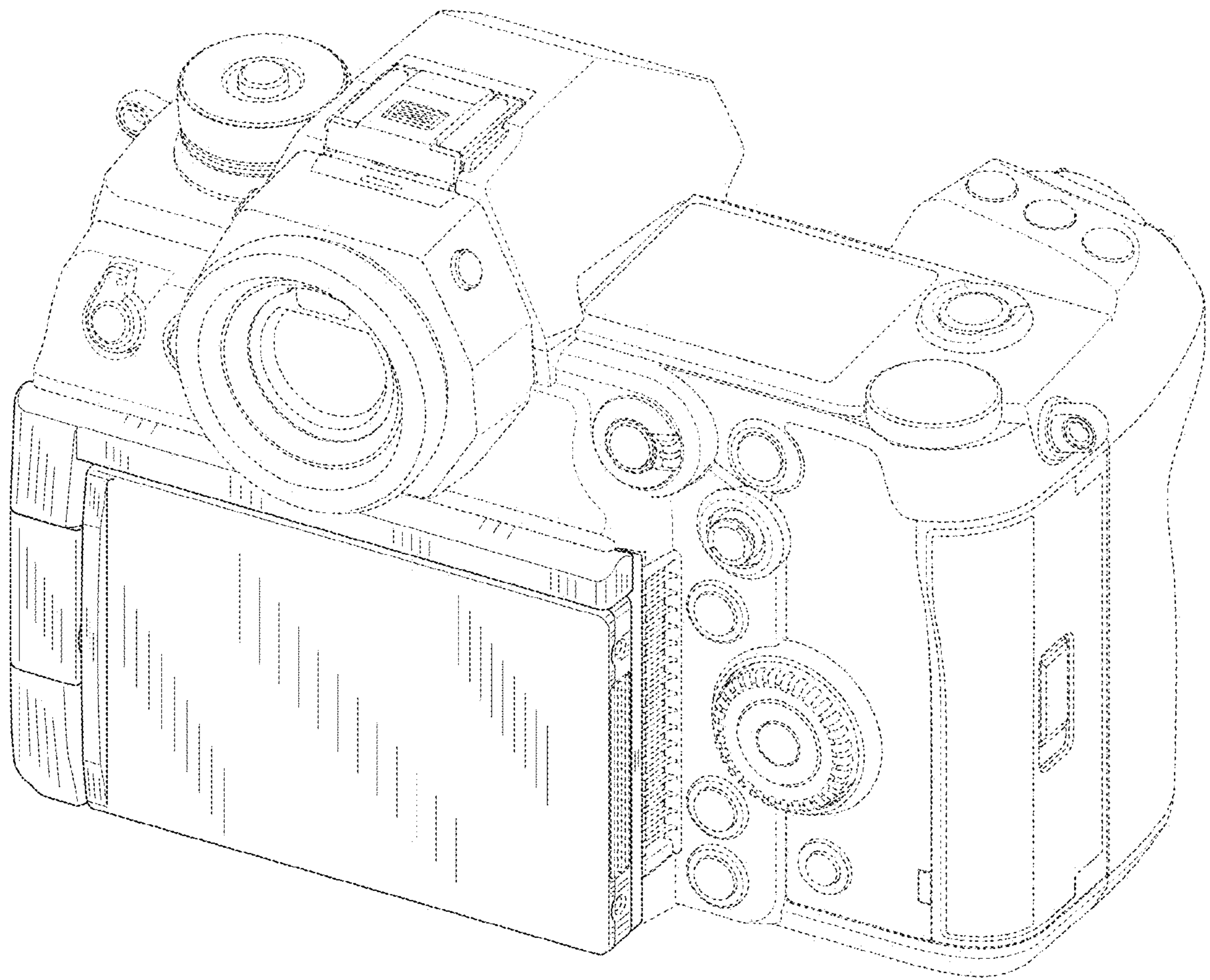


FIG. 8

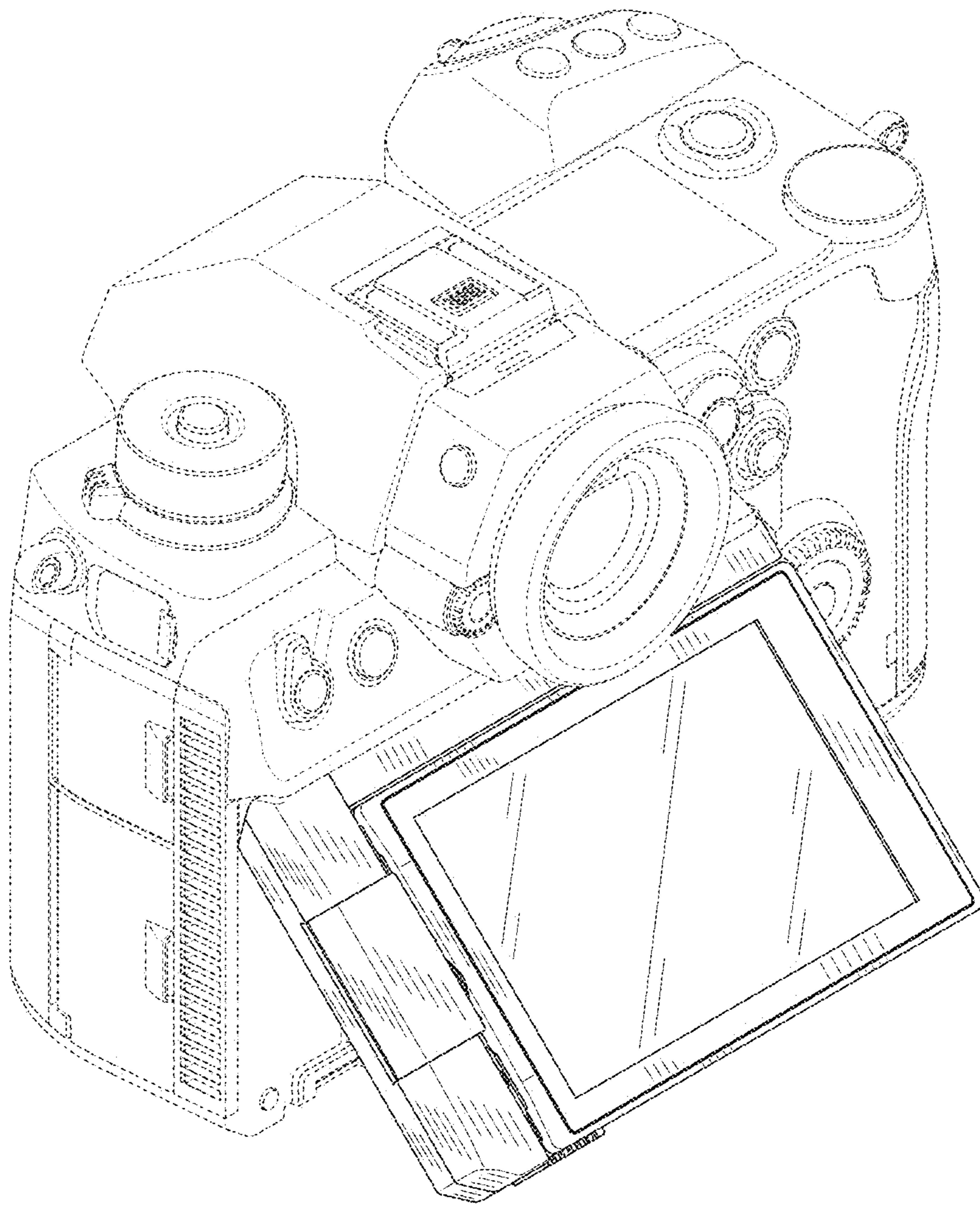


FIG. 9

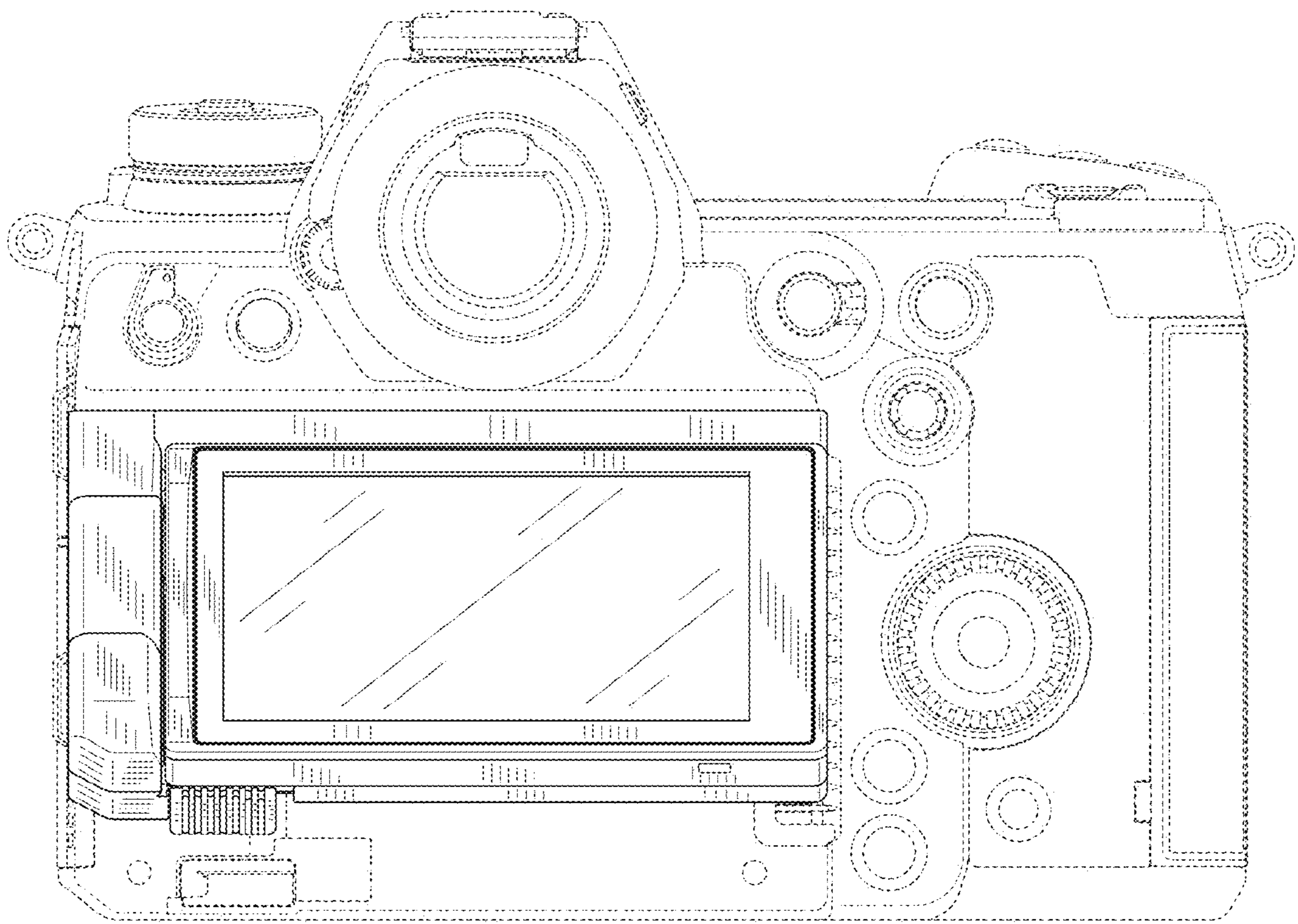


FIG. 10

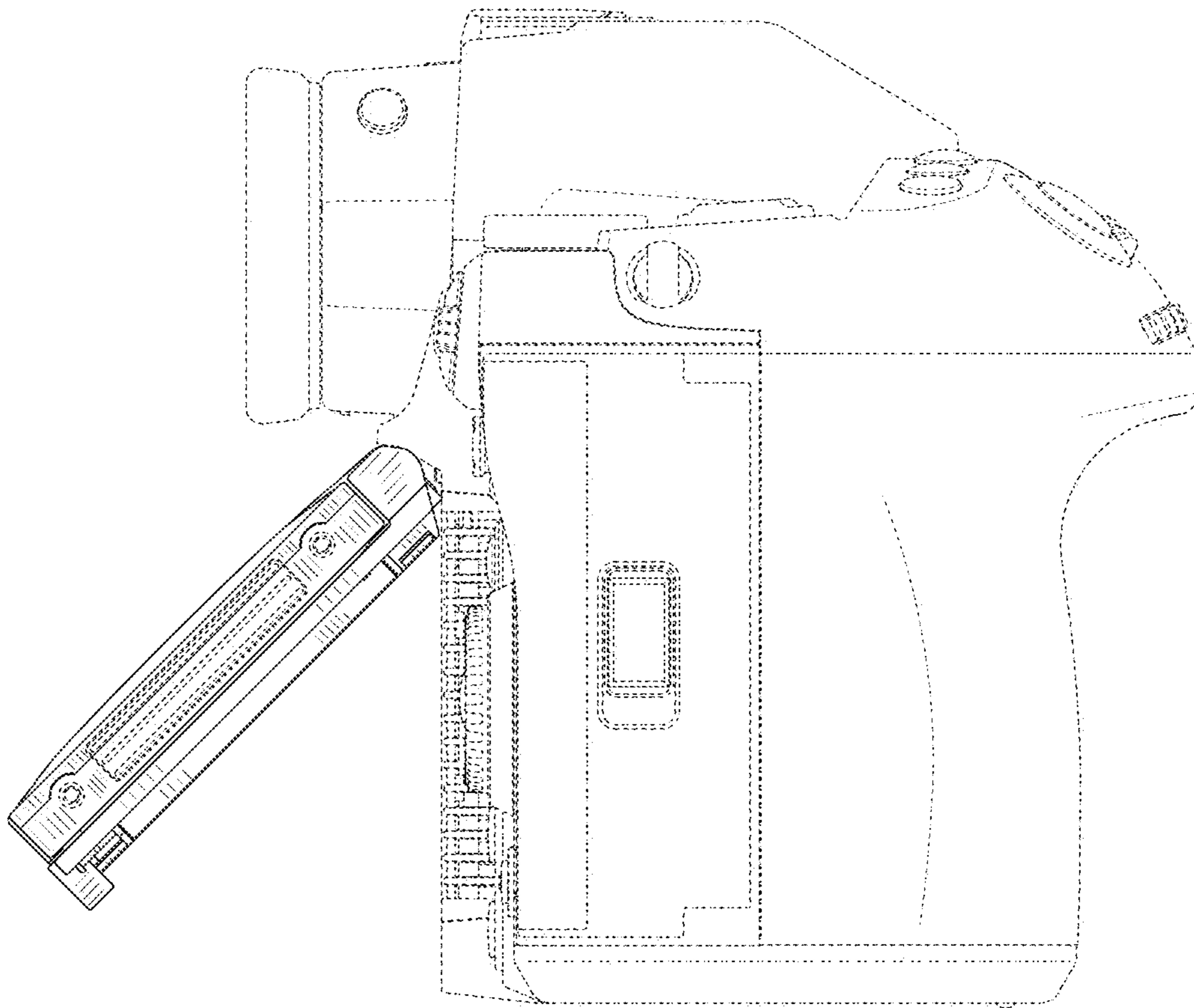


FIG. 11

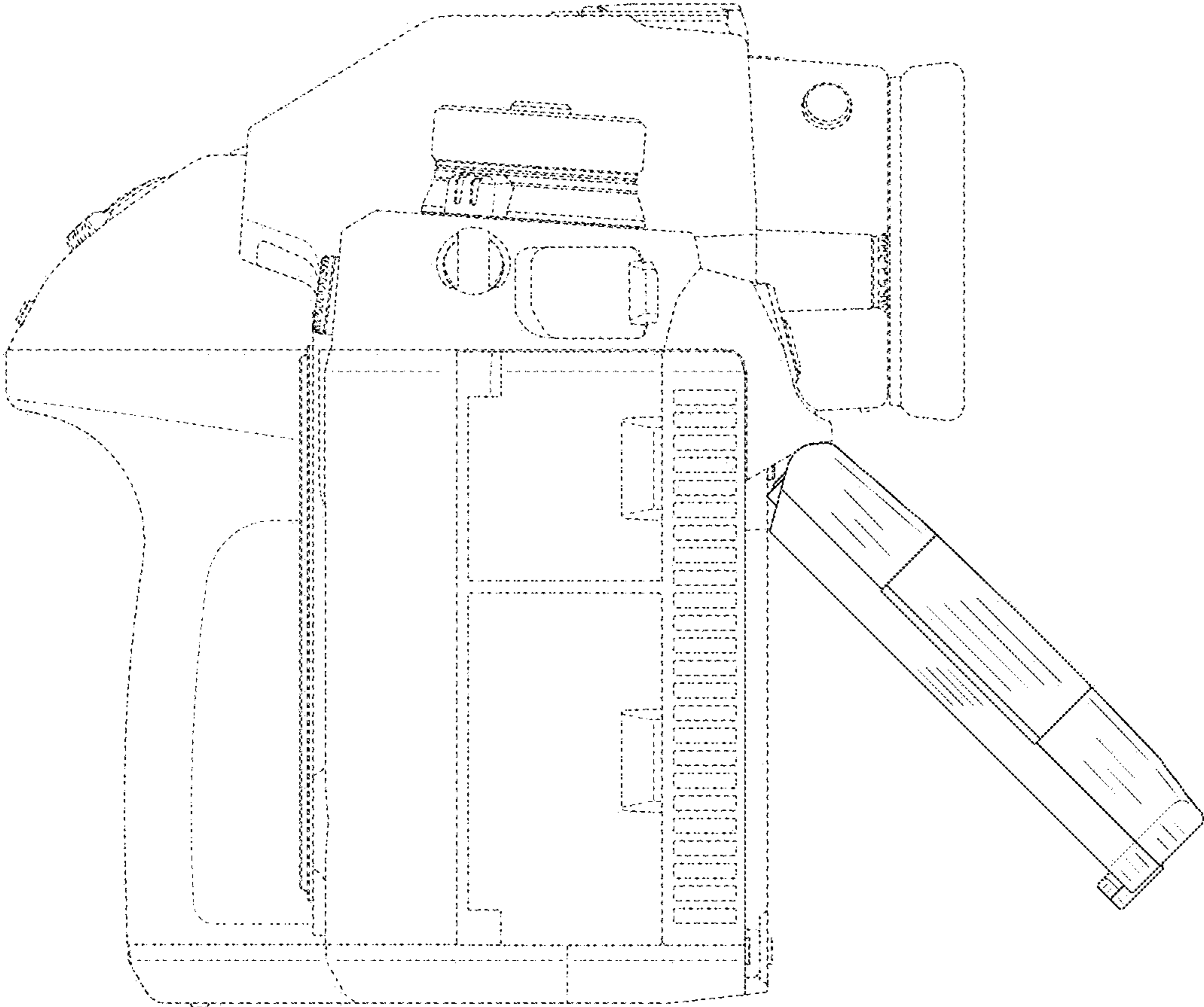


FIG. 12

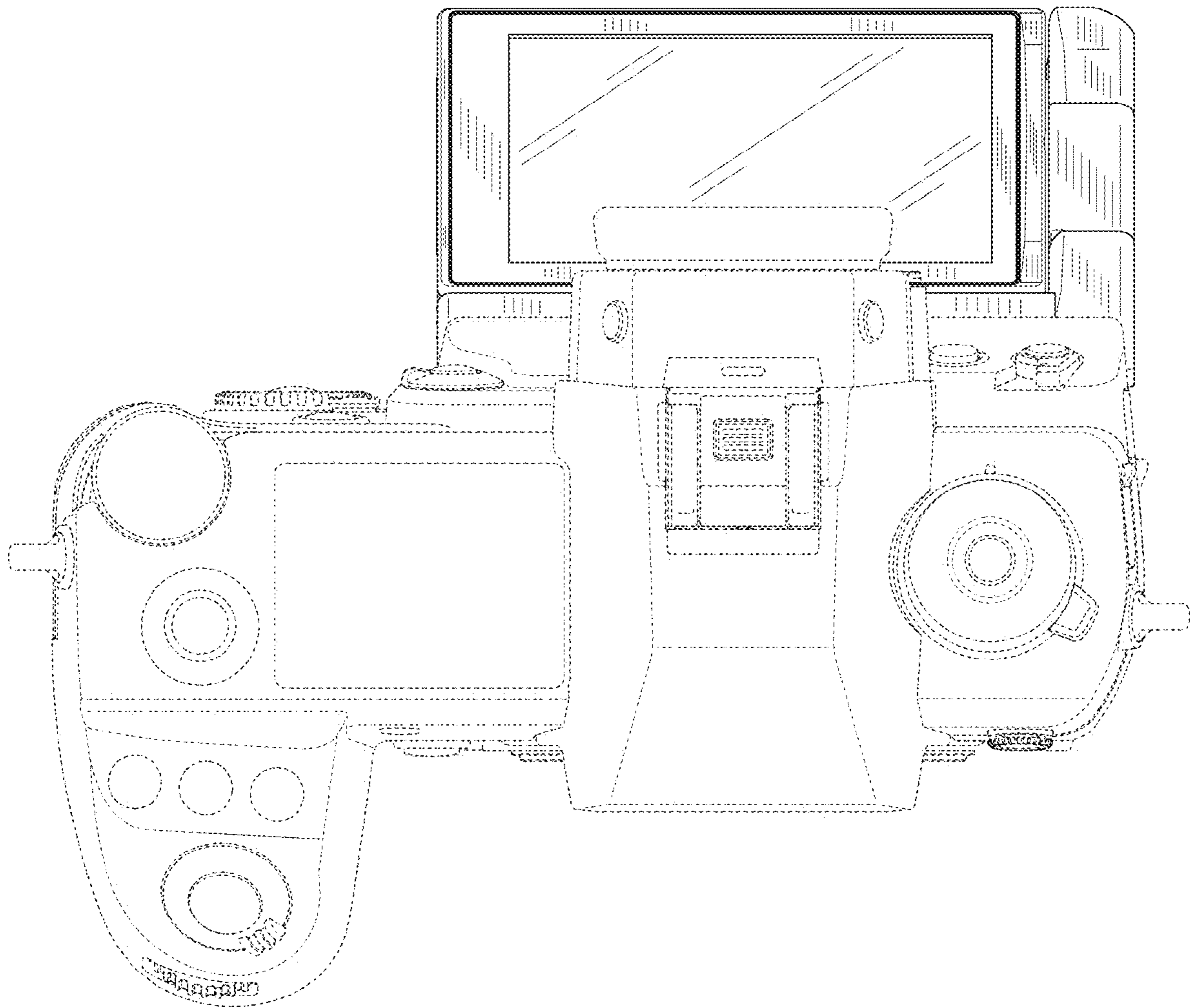


FIG. 13

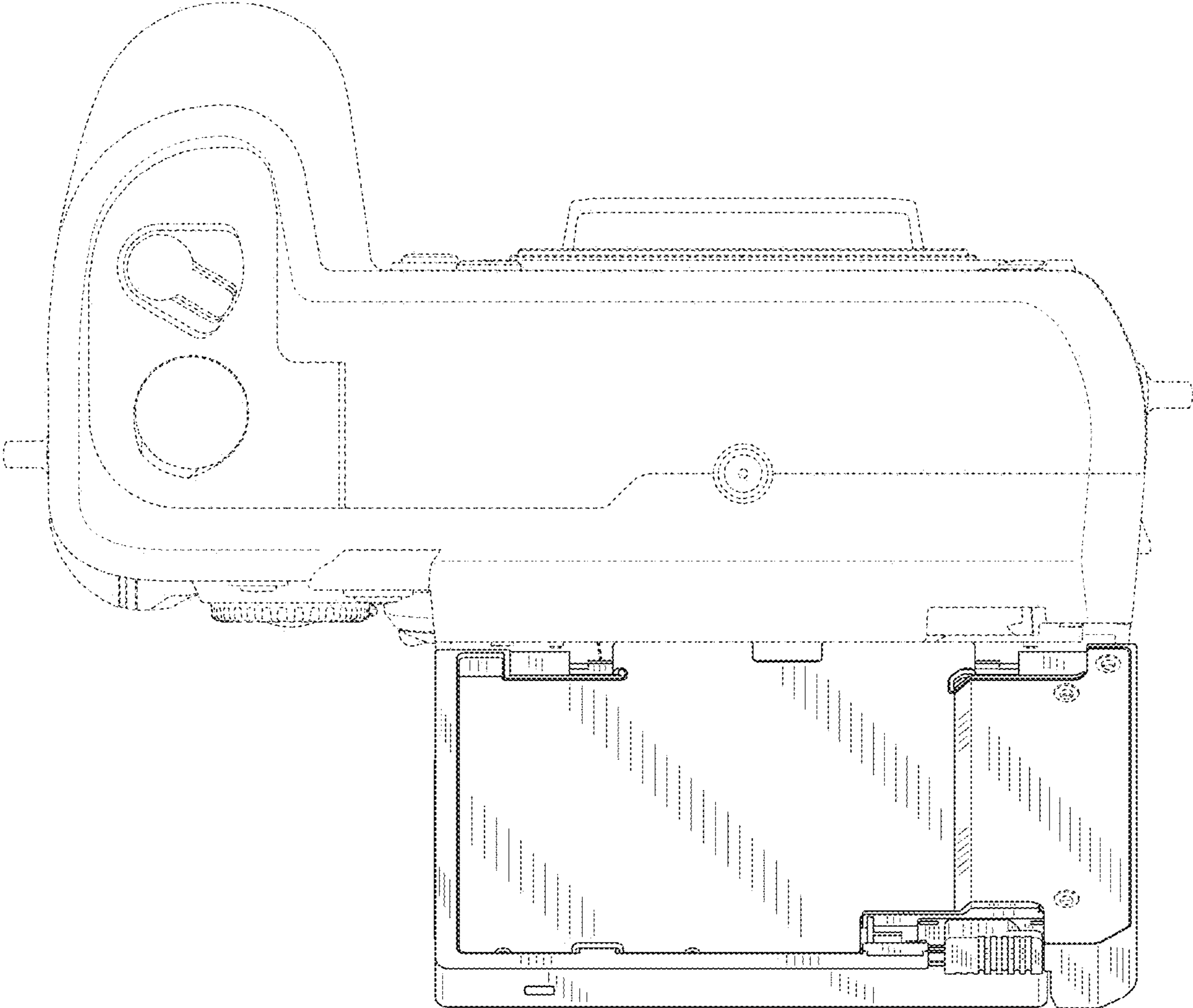


FIG. 14

