

US00D937339S

(12) **United States Design Patent** (10) **Patent No.:** **US D937,339 S**
Schumaier et al. (45) **Date of Patent:** **** Nov. 30, 2021**

(54) **MAGNIFIER FOR AN EAR CURETTE**
(71) Applicant: **Ear Technology Corporation**, Johnson City, TN (US)
(72) Inventors: **Daniel R. Schumaier**, Elizabethton, TN (US); **Karlee D. Harrison**, Johnson City, TN (US); **George B. Waites, Jr.**, Fletcher, NC (US); **Samuel C. Scudder**, Asheville, NC (US)

D439,338 S 3/2001 Huttner et al.
D447,237 S 8/2001 Huttner et al.
D449,888 S 10/2001 Huttner
D450,676 S 11/2001 Huttner
D540,468 S 4/2007 Mori
(Continued)

(73) Assignee: **Ear Technology Corporation**, Johnson City, TN (US)

FOREIGN PATENT DOCUMENTS

CN 2192310 Y 3/1995
CN 2355698 Y 12/1999
(Continued)

(**) Term: **15 Years**

(21) Appl. No.: **29/771,269**

(22) Filed: **Feb. 22, 2021**

(51) **LOC (13) Cl.** **16-06**

(52) **U.S. Cl.**
USPC **D16/135**

(58) **Field of Classification Search**
USPC D16/130, 134, 135, 136; D24/133, 146, D24/147
CPC G01B 3/04
See application file for complete search history.

OTHER PUBLICATIONS

Bionix Lighted CeraPik Plastic Ear Curette, first available Jan. 15, 2014, amazon.com, [online], [site visited Apr. 22, 2021], Available from internet URL: <https://www.amazon.com/Lighted-Ear-Curette-Magnification-CeraPik/dp/BOOHVEEAWC> (Year: 2014).
(Continued)

Primary Examiner — Holly E Thurman
(74) *Attorney, Agent, or Firm* — Luedeka Neely Group, P.C.

(56) **References Cited**

U.S. PATENT DOCUMENTS

D276,940 S * 12/1984 Andersson D16/135
4,572,180 A 2/1986 Deenadayalu
4,785,796 A 11/1988 Mattson
5,209,757 A 5/1993 Krug et al.
5,234,452 A 8/1993 Wang-On
5,250,061 A 10/1993 Michelson
D350,605 S 9/1994 Williams
5,431,665 A 7/1995 Li
D414,866 S 10/1999 Szabo
6,074,405 A 6/2000 Koch
6,088,173 A * 7/2000 Mendelsohn G02B 25/02
359/802
D438,305 S 2/2001 Ripich et al.

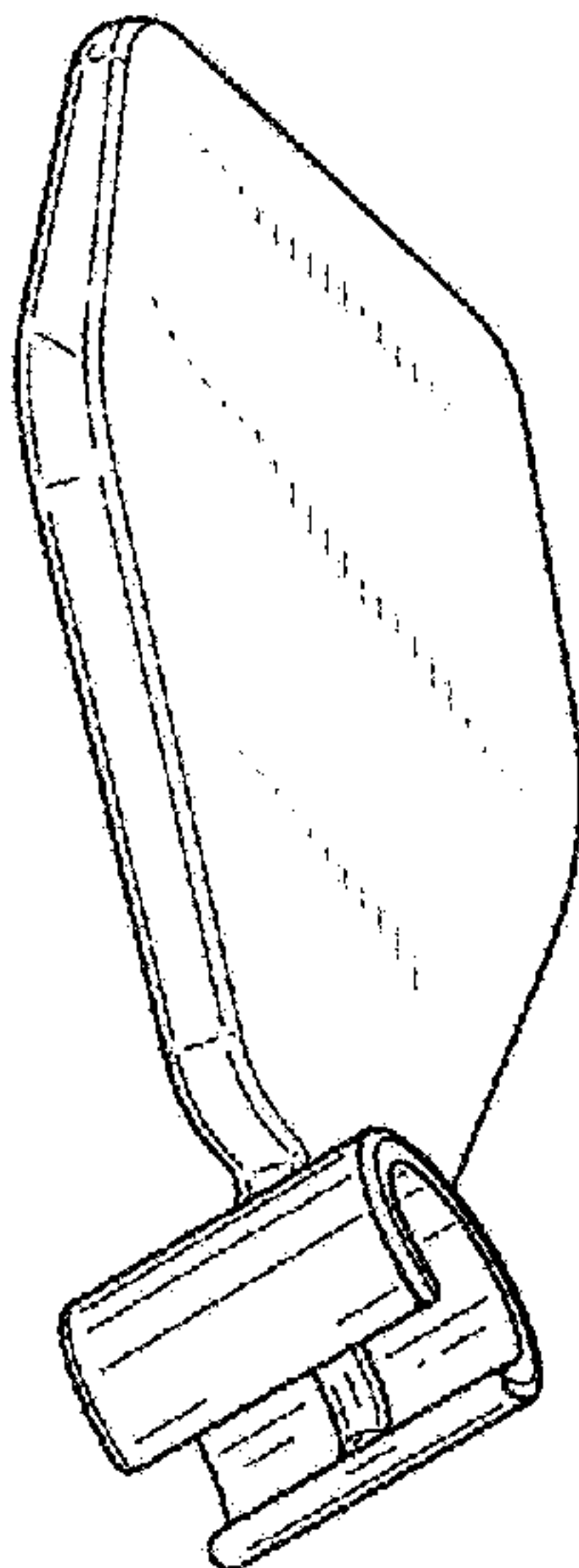
(57) **CLAIM**

The ornamental design for a magnifier for an ear curette, as shown and described.

DESCRIPTION

FIG. 1 is a perspective view of a magnifier for an ear curette showing our new design;
FIG. 2 is a right side elevation view thereof;
FIG. 3 is a left side elevation view thereof;
FIG. 4 is a top plan view thereof;
FIG. 5 is a bottom plan view thereof;
FIG. 6 is a rear elevation view thereof; and,
FIG. 7 is a front elevation view thereof.

1 Claim, 2 Drawing Sheets



(56)

References Cited

U.S. PATENT DOCUMENTS

D589,143	S	3/2009	Mauch	
D598,549	S	8/2009	Cantu et al.	
D612,049	S	3/2010	Baynham	
D621,980	S *	8/2010	Munger	D26/61
D626,391	S	11/2010	Vigil	
D640,698	S *	6/2011	Shi	D14/411
7,980,722	B2 *	7/2011	Coleman	G01N 21/8806 362/138
D656,979	S *	4/2012	Yip	D16/135
D688,289	S *	8/2013	Hodgson	D16/135
D804,024	S	11/2017	Herrera	
D864,388	S	10/2019	Barber	
D931,456	S *	9/2021	Schumaier	D24/147
D932,010	S *	9/2021	Schumaier	D24/147
2003/0045834	A1	3/2003	Wing et al.	
2015/0018714	A1	1/2015	Chen	
2015/0018861	A1	1/2015	Olson	
2015/0127036	A1	5/2015	Farzin	
2015/0182203	A1	7/2015	Pestes	
2015/0313676	A1	11/2015	Deodhar	

FOREIGN PATENT DOCUMENTS

CN	201759742	U	3/2011
CN	201959081	U	9/2011
CN	209075144	U	7/2019
FR	659084	A	6/1929

OTHER PUBLICATIONS

Ear Spoon with LED Light Earwax Remover, Lighted Curette Ear, lazada.com, [online], [site visited Apr. 22, 2021], Available from internet URL: <https://www.lazada.com.ph/products/ear-spoon-with-led-light-earwax-remover-earpick-lighted-curette-ear-wax-removal-tool-ear-cleaner-tweezers-i171%E2%80%A6> (Year: 2021).

Ear Wax Removal Tool with LED Light and Storage Case, first available Jun. 21, 2019, amazon.com, [online], [site visited Apr. 22, 2021], Available from internet URL: https://www.amazon.com/dp/B07TCNRVW1/ref=sspa_dk_detail_1?psc=1&pd_rd_i=B07TCNRVW1&pd_rd_w=gZhCW&pf_rd_p=085568d9-3b13-4ac1%E2%80%A6 (Year: 2019).

Eutuxia Ear Pick with LED Light, first available Jun. 9, 2016, amazon.com, [online], [site visited Apr. 22, 2021], Available from internet URL: https://www.amazon.com/Eutuxia-Earpick-Cleaning-Removal-Curette/dp/B01H27DCJ0/ref=rtpb_3?pd_rd_w=09fFJ&pf_rd_p=be844577-fee7-4bbc-8d%E2%80%A6 (Year: 2016).

* cited by examiner

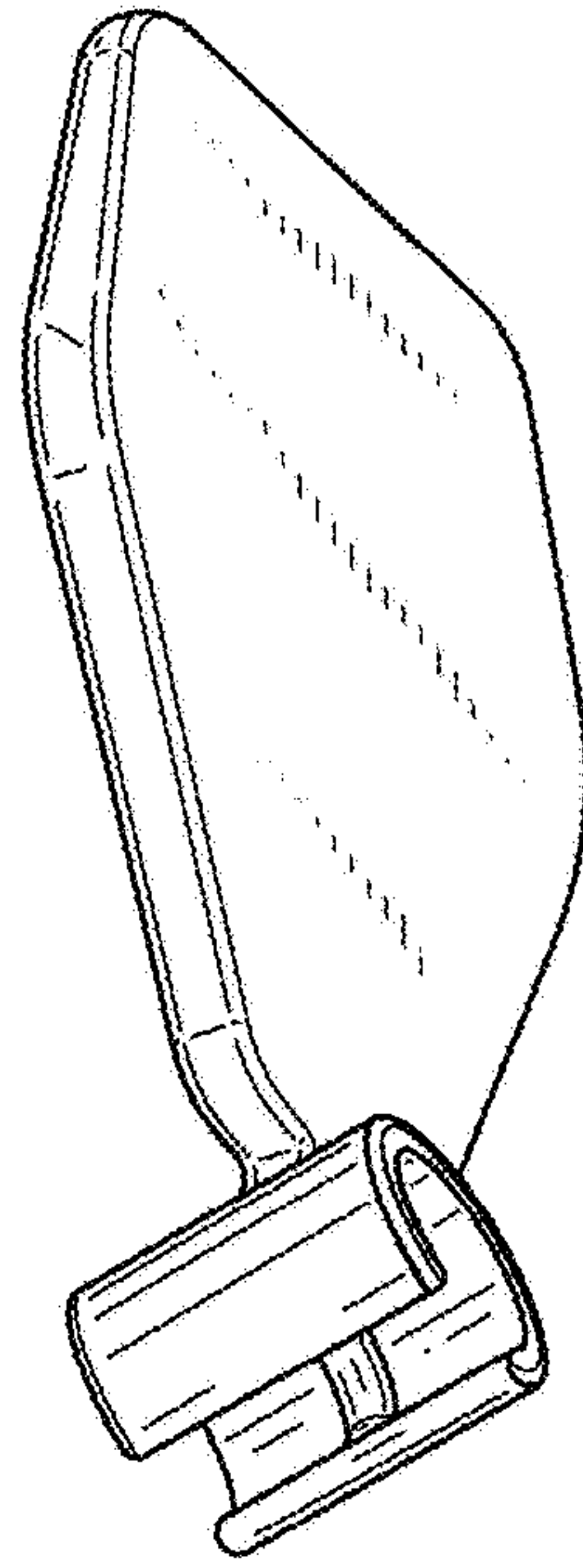


FIG. 1

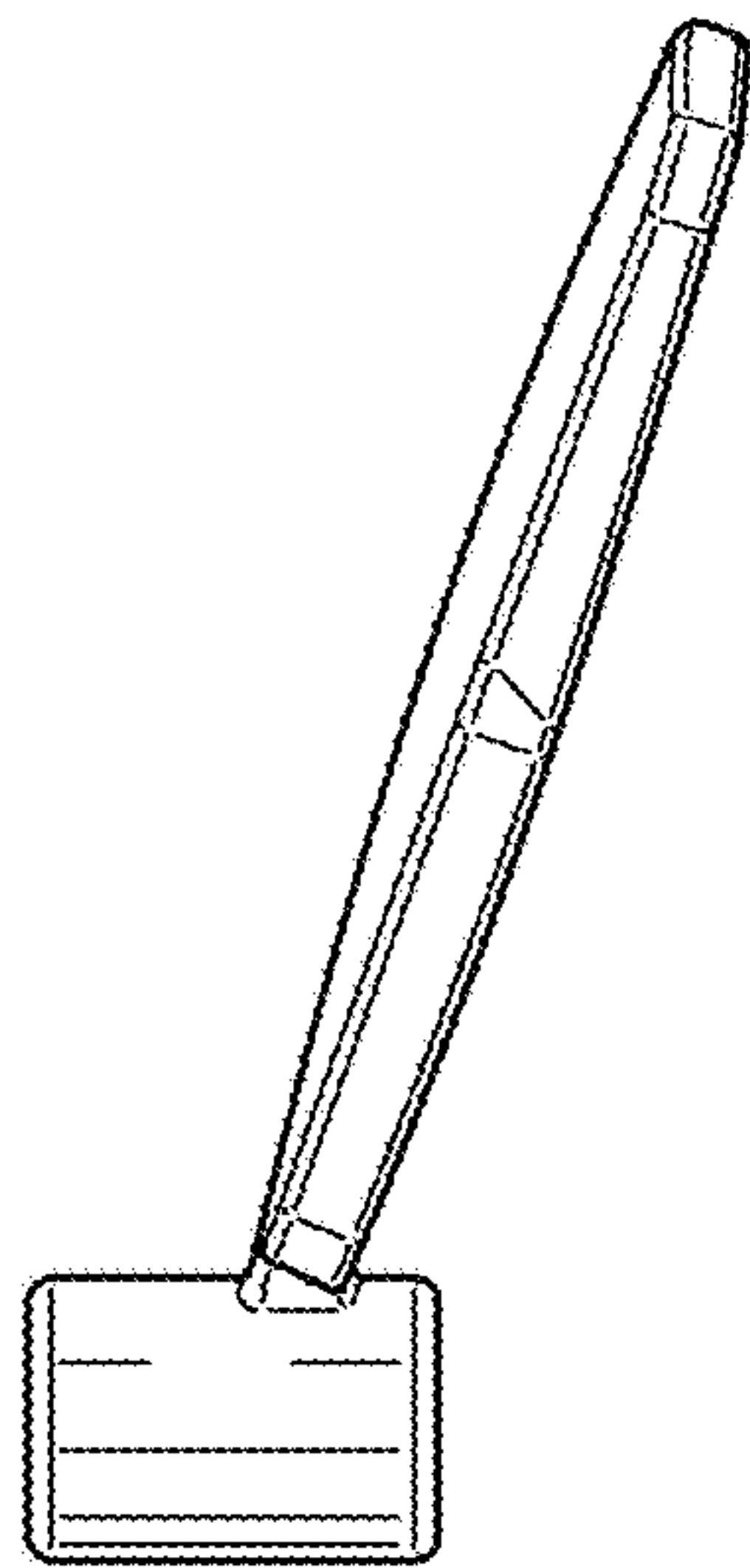


FIG. 2

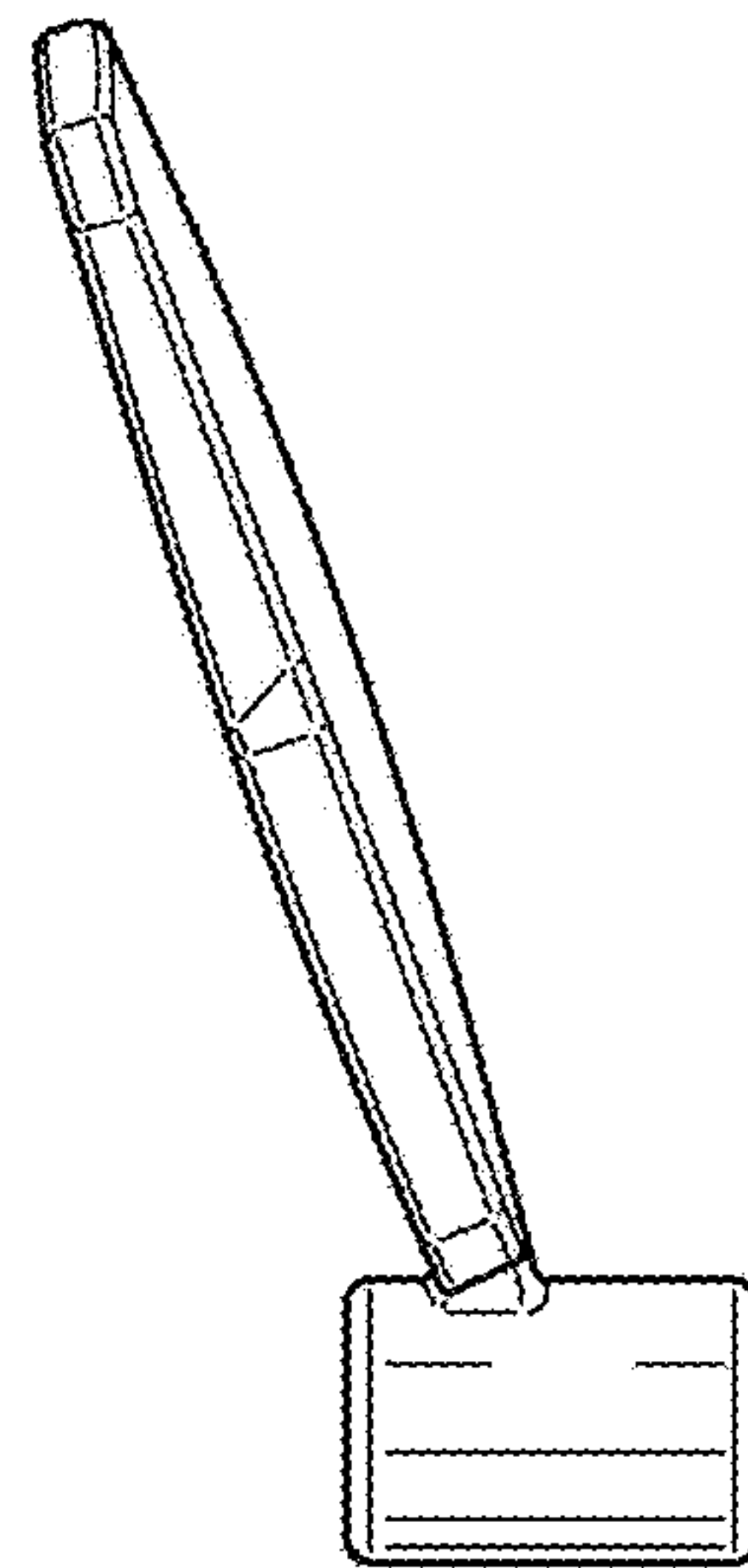


FIG. 3

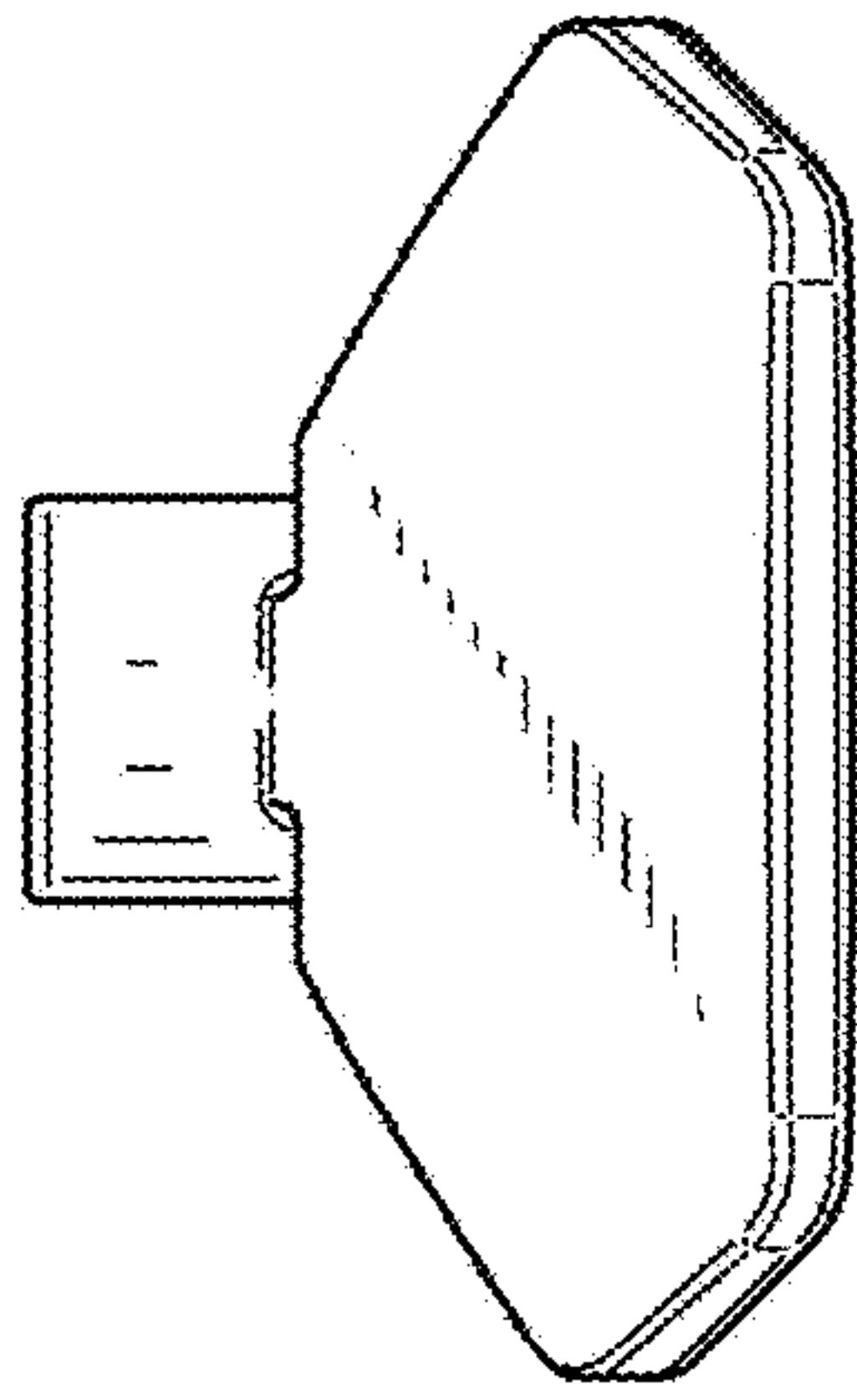


FIG. 4

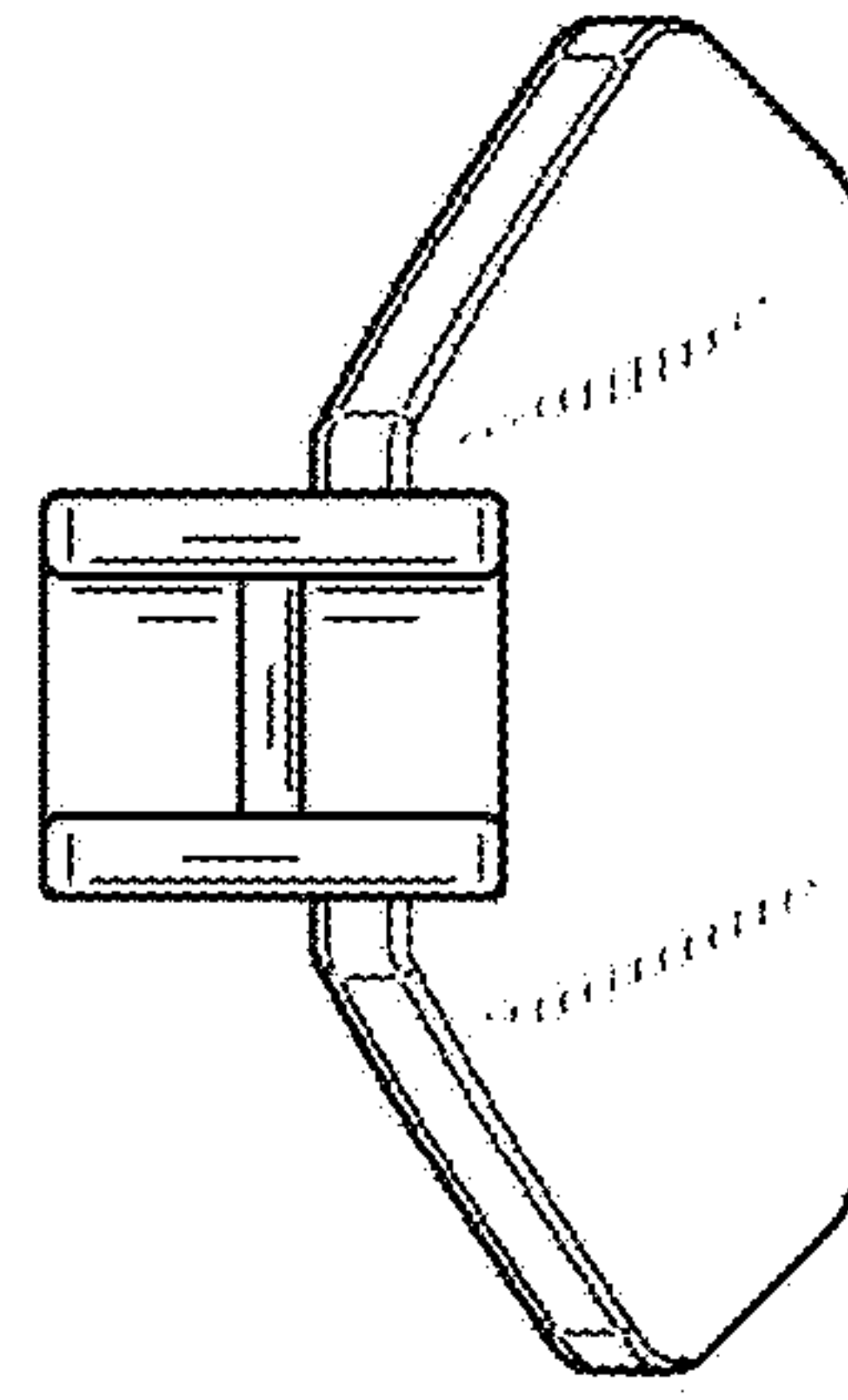


FIG. 5

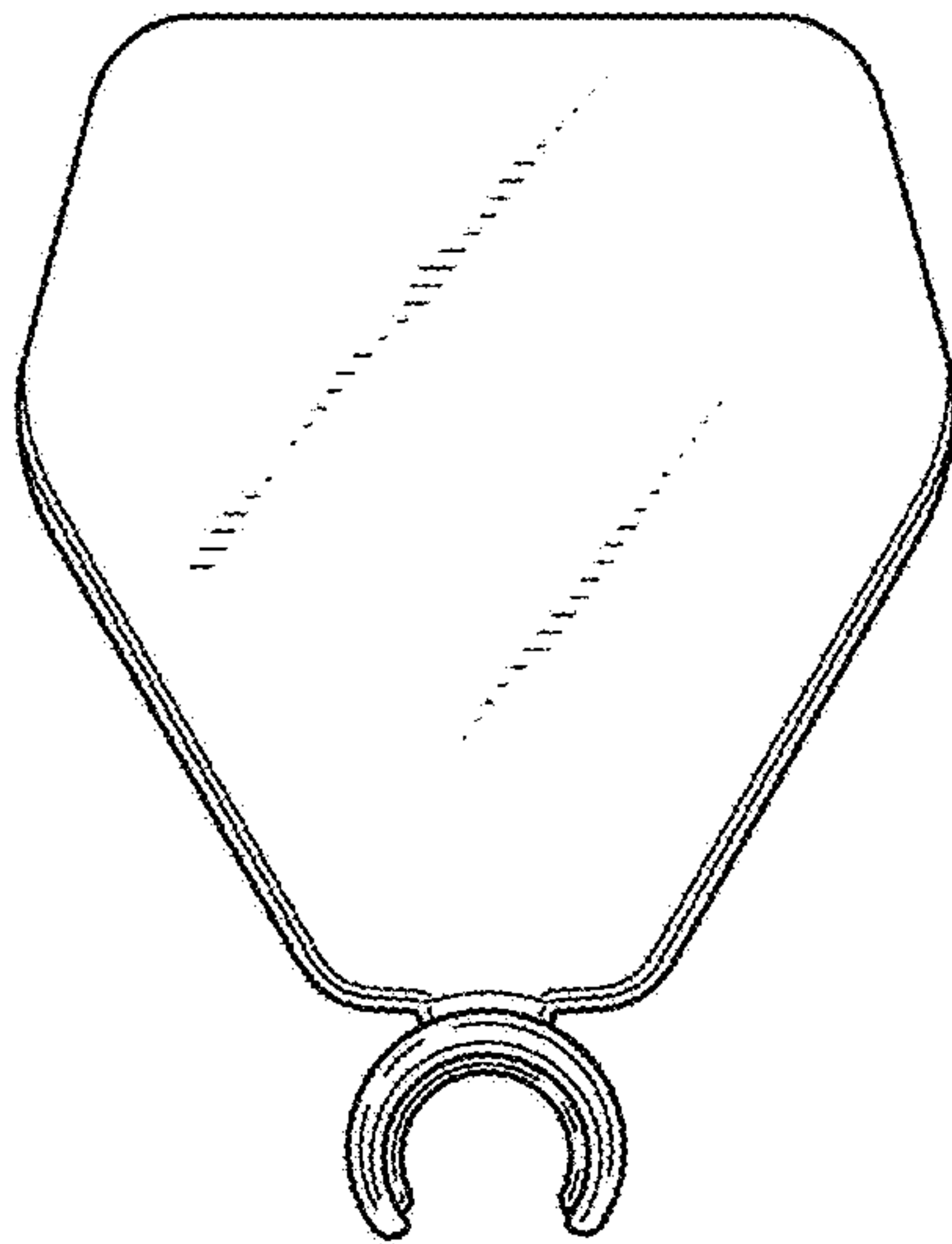


FIG. 6

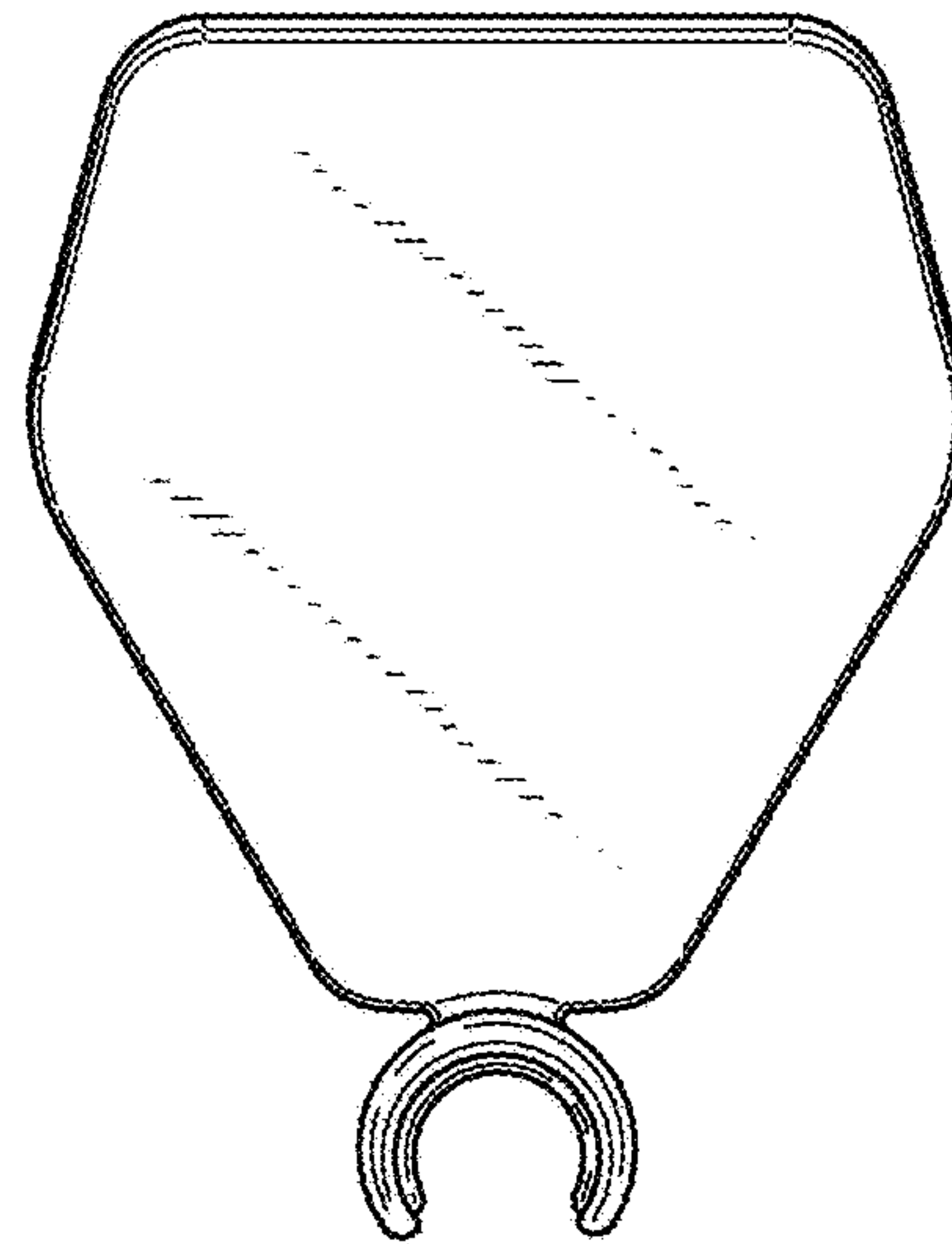


FIG. 7