

US00D937338S

(12) **United States Design Patent** (10) **Patent No.:** **US D937,338 S**  
**Luo** (45) **Date of Patent:** **\*\* Nov. 30, 2021**

(54) **DIGITAL MICROSCOPE**  
(71) Applicant: **Xiaorong Luo**, Laohekou (CN)  
(72) Inventor: **Xiaorong Luo**, Laohekou (CN)  
(\*\*) Term: **15 Years**  
(21) Appl. No.: **29/773,202**  
(22) Filed: **Mar. 8, 2021**  
(51) **LOC (13) Cl.** ..... **16-06**  
(52) **U.S. Cl.**  
USPC ..... **D16/131**  
(58) **Field of Classification Search**  
USPC ..... D16/130–136  
CPC ..... G02B 23/16  
See application file for complete search history.

D645,891 S \* 9/2011 Kim ..... D16/202  
D655,325 S \* 3/2012 Nojima ..... D16/131  
D655,326 S \* 3/2012 Nojima ..... D16/131  
D668,699 S 10/2012 Au et al.  
D676,886 S \* 2/2013 Hoshi ..... D16/132  
D686,264 S \* 7/2013 Hoshi ..... D16/132  
D726,235 S \* 4/2015 Nauli ..... D16/136  
D836,090 S \* 12/2018 Li ..... D14/227  
D860,285 S \* 9/2019 Proll ..... D16/132  
D885,454 S 5/2020 Liu  
D908,758 S \* 1/2021 Kung ..... D16/131  
D918,184 S \* 5/2021 Xiang ..... D14/225  
D920,412 S \* 5/2021 Arnaud ..... D16/132

\* cited by examiner

*Primary Examiner* — Holly E Thurman  
(74) *Attorney, Agent, or Firm* — Jinggao Li

(57) **CLAIM**

The ornamental design for digital microscope, as shown and described.

(56) **References Cited**

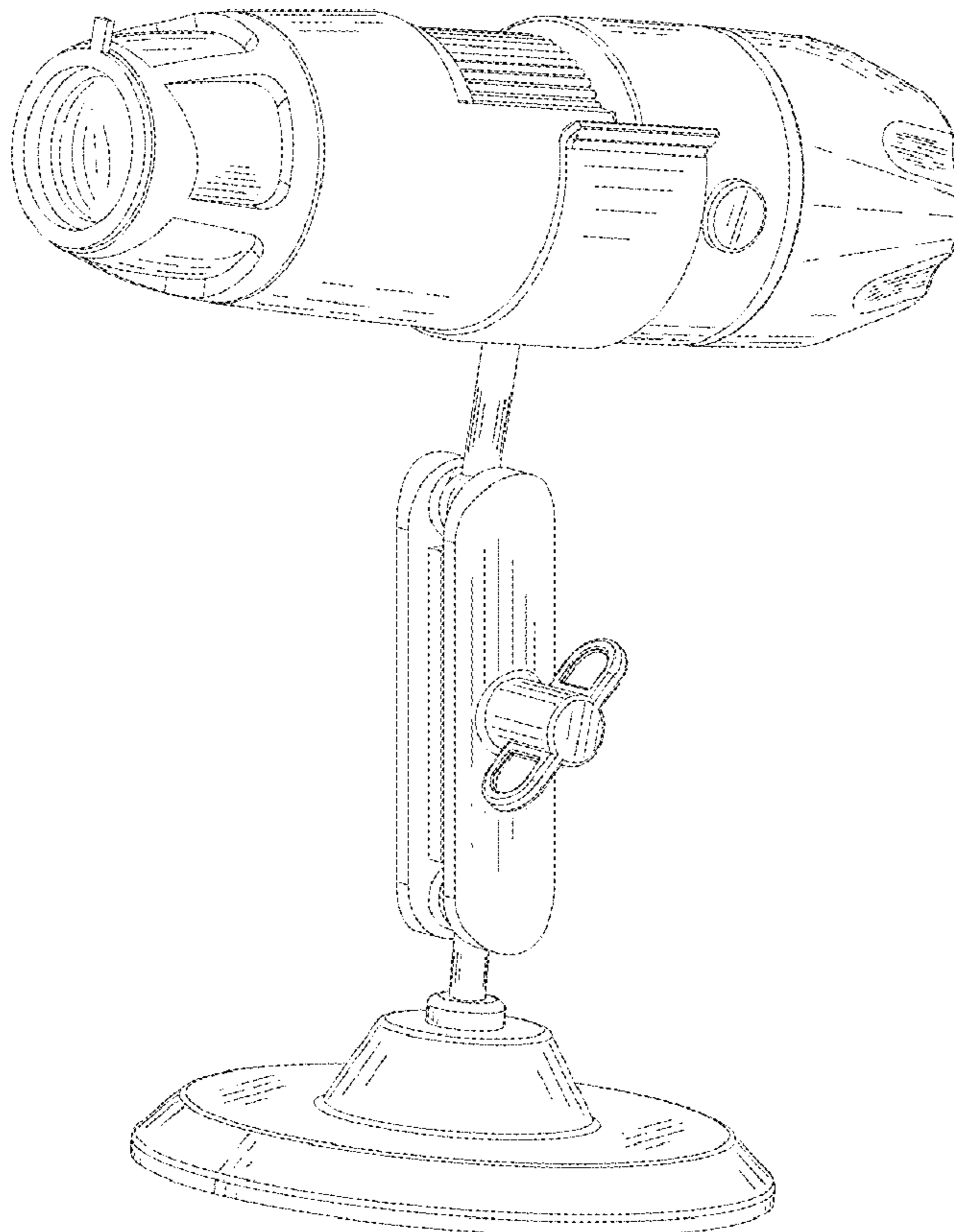
U.S. PATENT DOCUMENTS

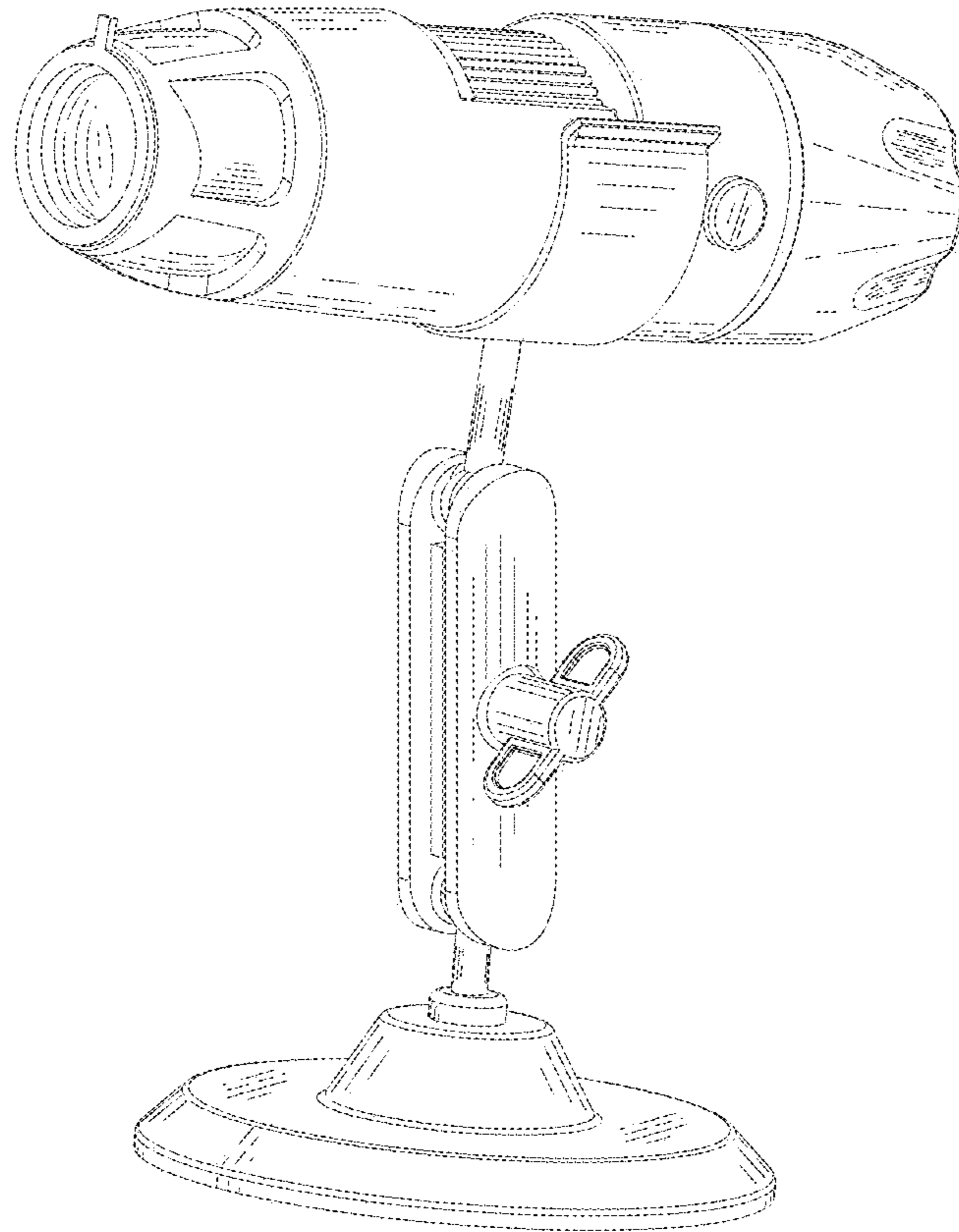
D243,172 S \* 1/1977 Uetake ..... D16/134  
D374,020 S \* 9/1996 Dunn ..... D16/130  
D380,224 S \* 6/1997 Kung ..... D10/68  
D403,338 S \* 12/1998 Dunn ..... D16/131  
D412,708 S \* 8/1999 Okon ..... D14/228  
D448,364 S \* 9/2001 Chung ..... D14/228  
D523,882 S \* 6/2006 Bakshi ..... D16/131  
D548,729 S \* 8/2007 Miller ..... D14/226  
D563,396 S \* 3/2008 Probst ..... D14/228  
D638,045 S 5/2011 Noda et al.

**DESCRIPTION**

FIG. 1 is a perspective view of a digital microscope showing my new design;  
FIG. 2 is a front view thereof;  
FIG. 3 is a rear view thereof;  
FIG. 4 is a left side view thereof;  
FIG. 5 is a right side view thereof;  
FIG. 6 is a top plan view thereof; and,  
FIG. 7 is a bottom plan view thereof.

**1 Claim, 7 Drawing Sheets**





**FIG. 1**

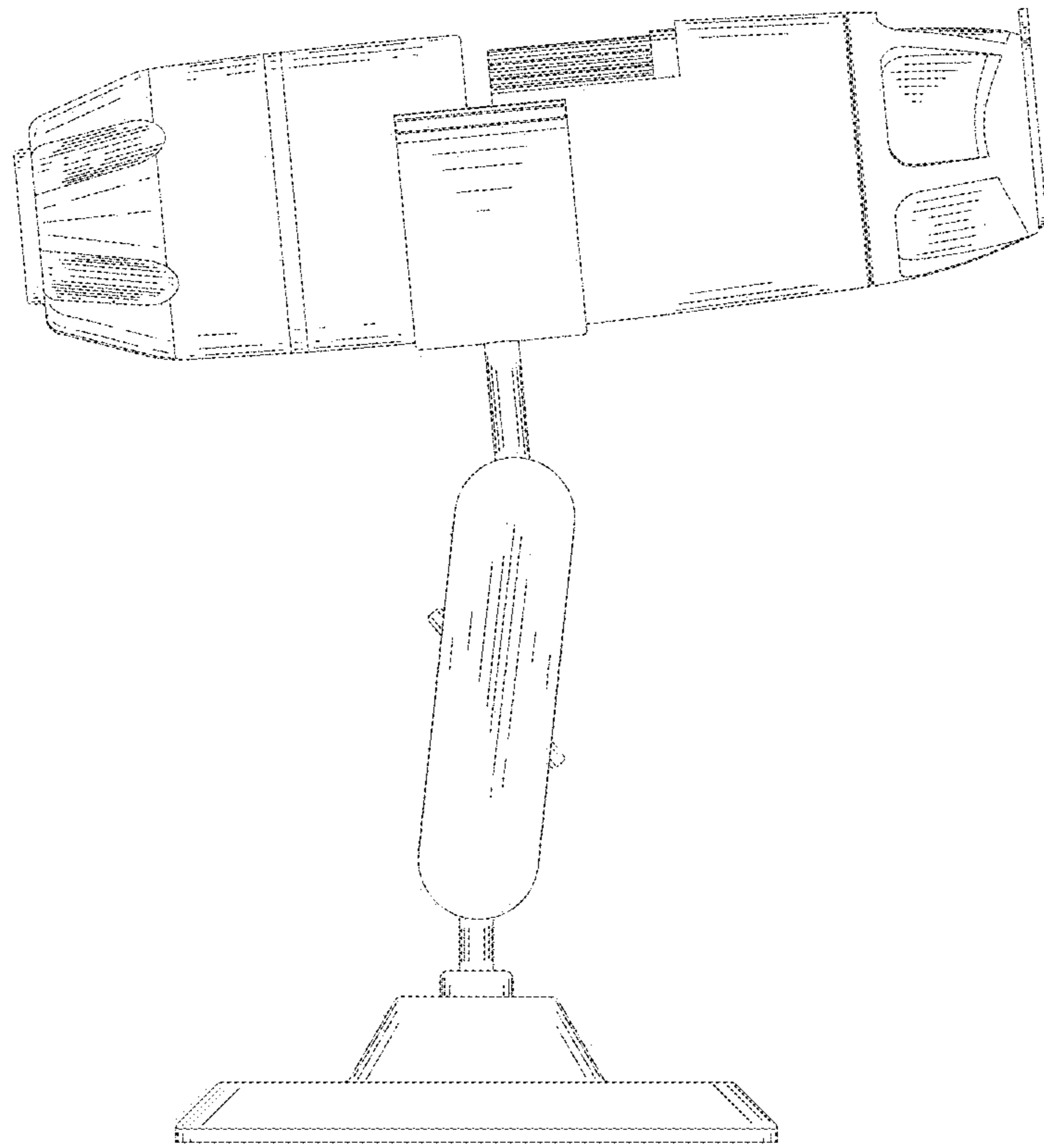
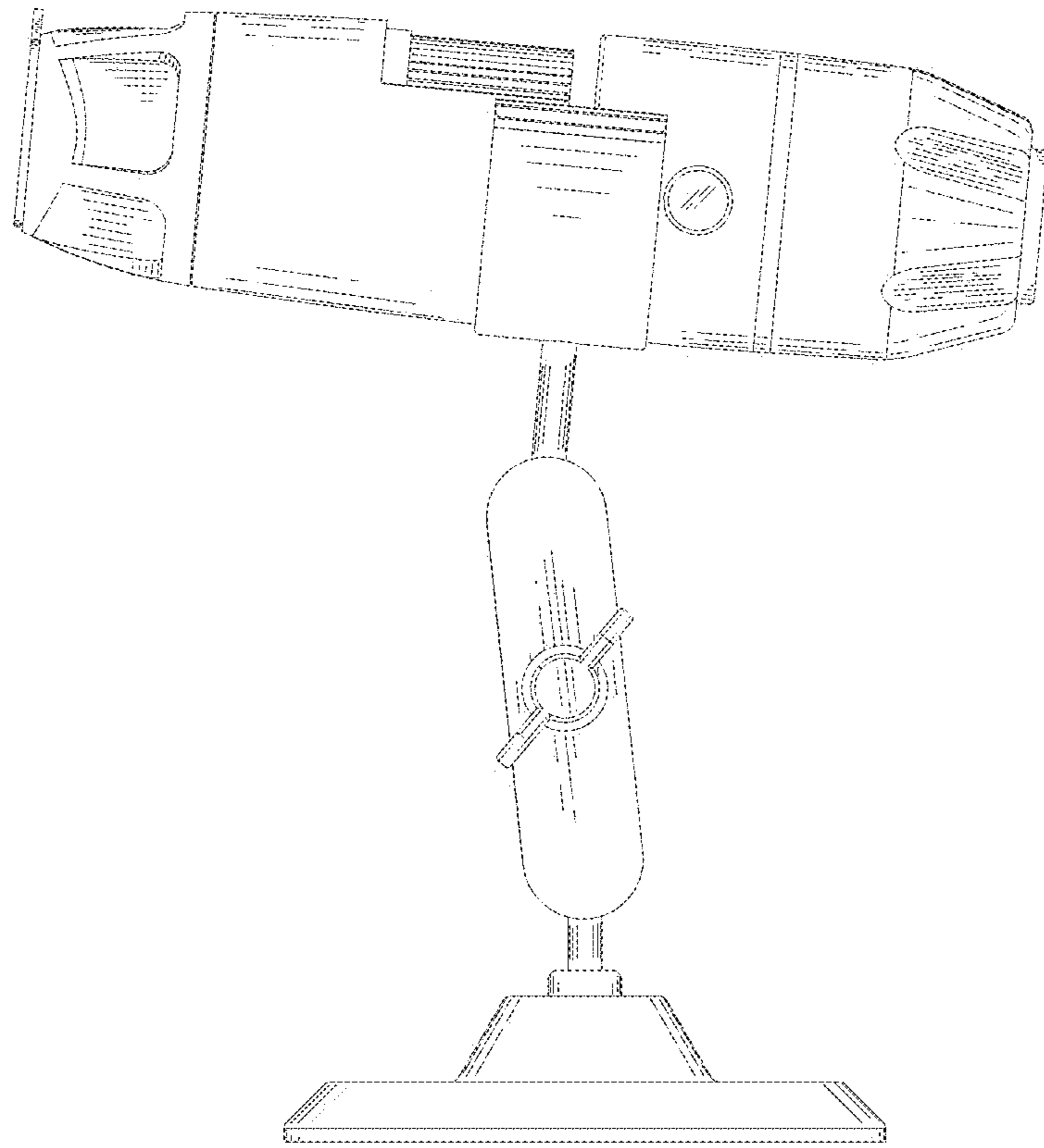
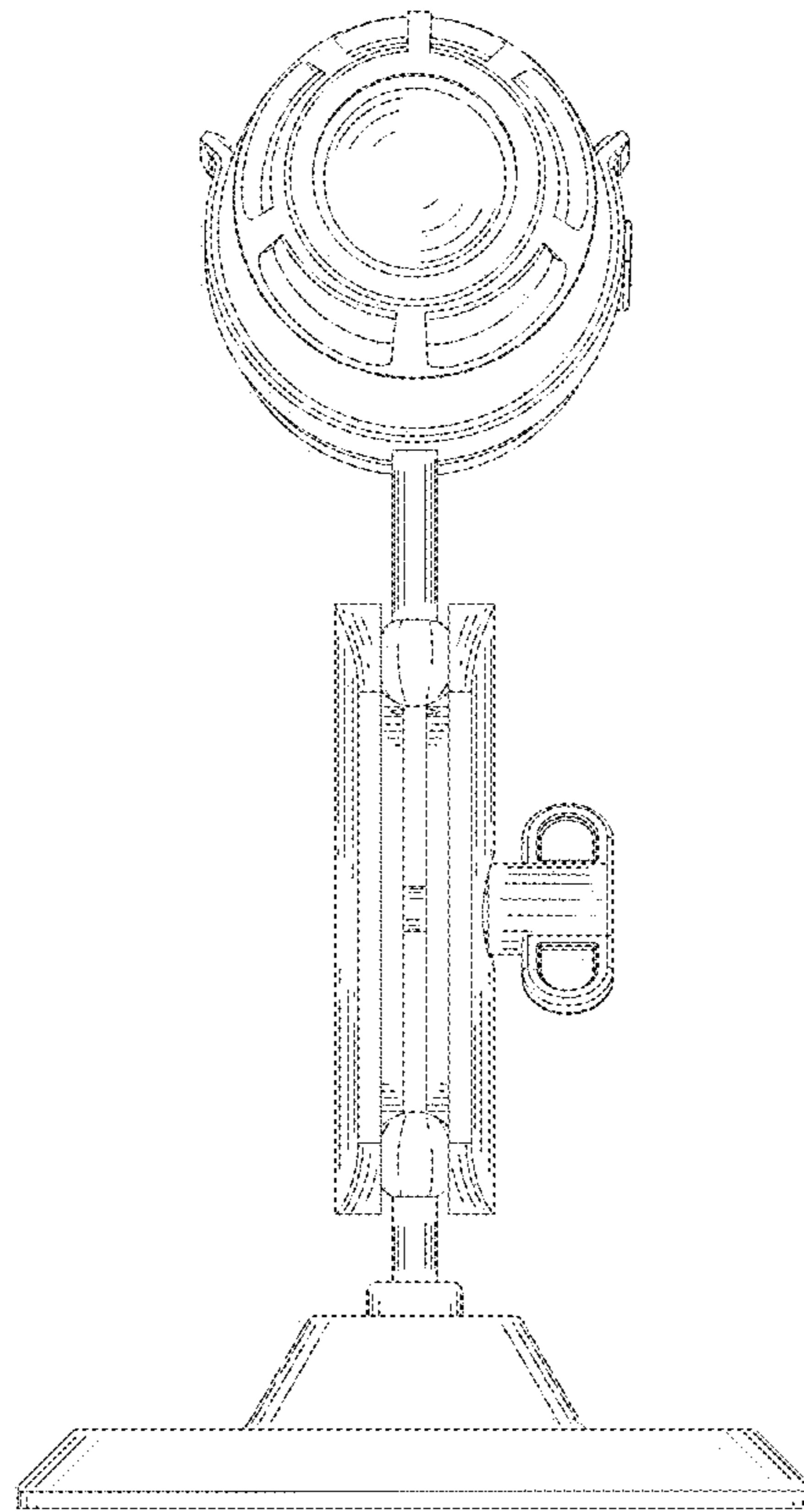


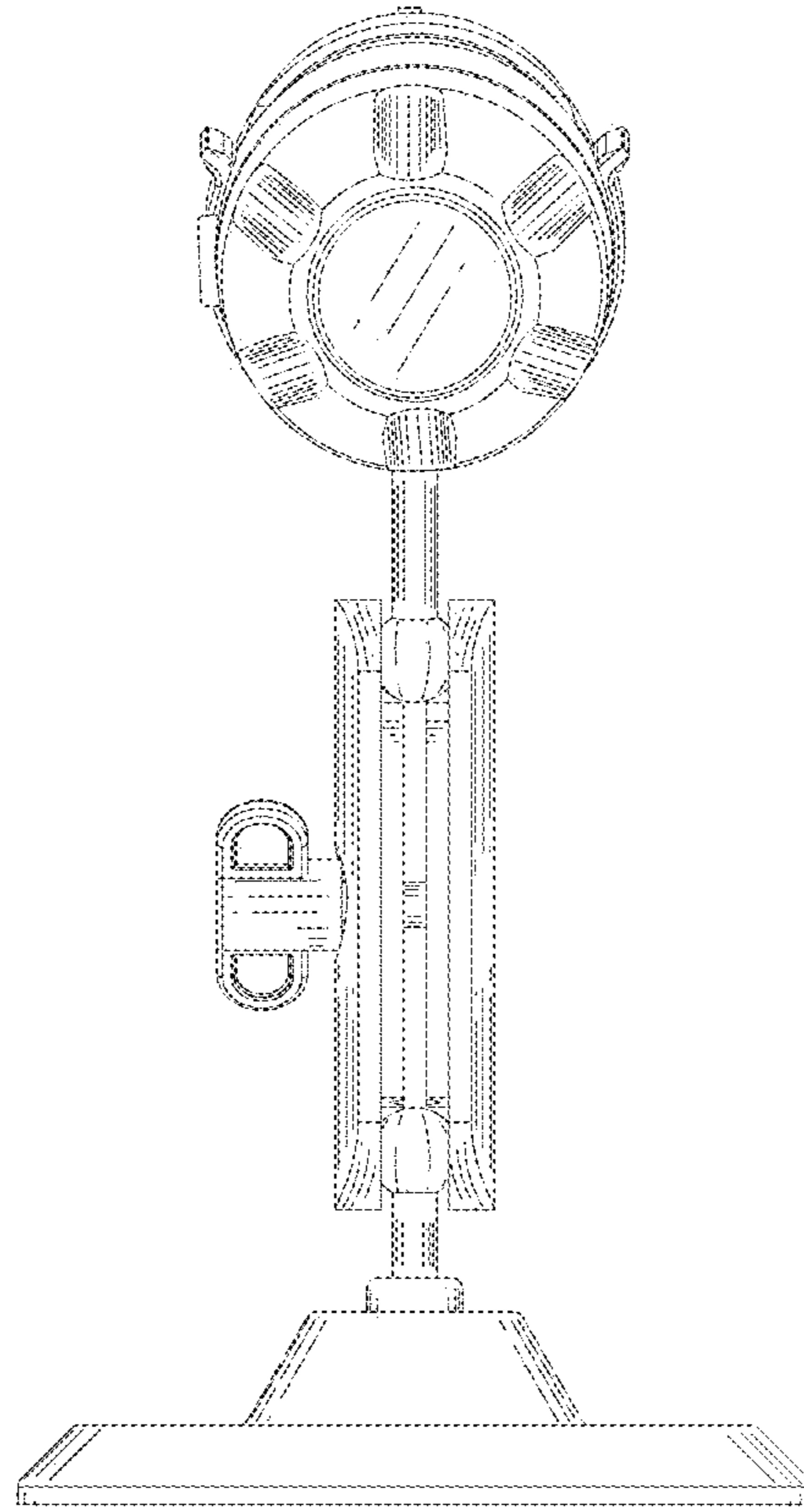
FIG. 2



**FIG. 3**



**FIG.4**



**FIG.5**

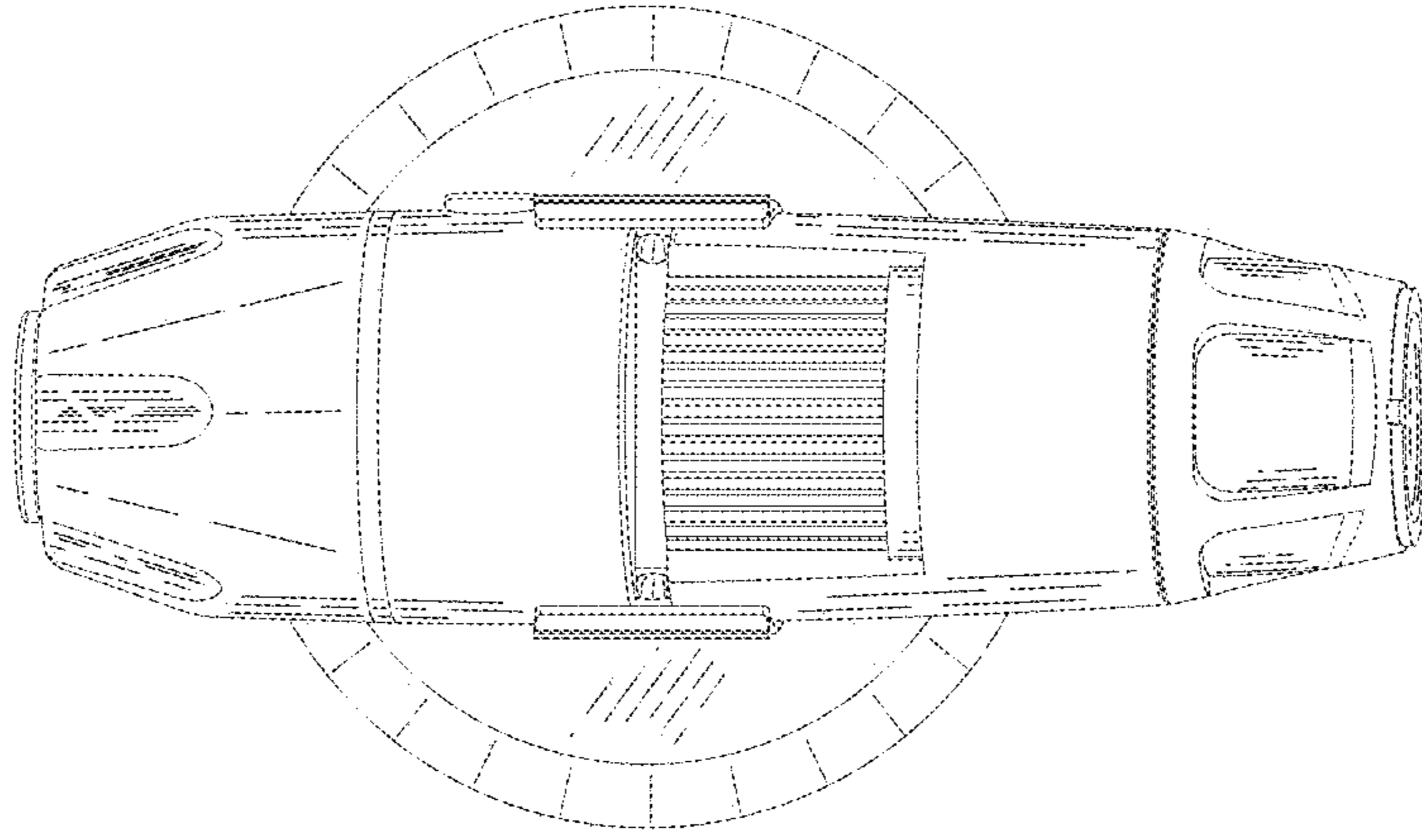


FIG. 6



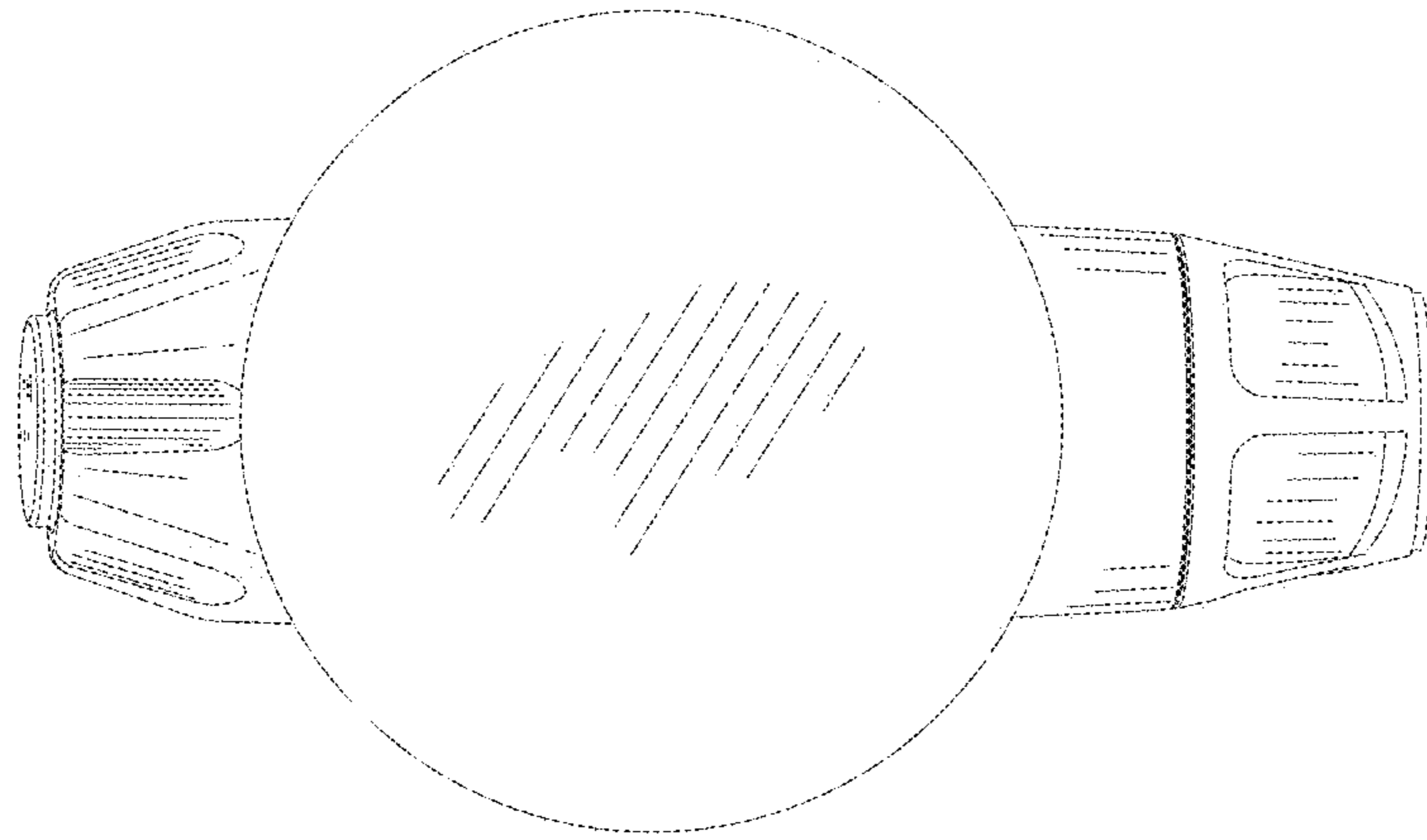


FIG. 7