



US00D937337S

(12) **United States Design Patent**
Zhao

(10) **Patent No.:** **US D937,337 S**

(45) **Date of Patent:** **** Nov. 30, 2021**

(54) **TRANSFER ROBOT**

(71) Applicant: **FORWARDX ROBOTICS, Inc.**, San Jose, CA (US)

(72) Inventor: **Bing Zhao**, Beijing (CN)

(**) Term: **15 Years**

(21) Appl. No.: **35/510,322**

(22) Filed: **Aug. 28, 2020**

(80) **Hague Agreement Data**

Int. Filing Date: **Aug. 28, 2020**

Int. Reg. No.: **DM/210144**

Int. Reg. Date: **Aug. 28, 2020**

Int. Reg. Pub. Date: **Sep. 18, 2020**

(30) **Foreign Application Priority Data**

Mar. 4, 2020 (CN) 202030069371.1

(51) **LOC (13) Cl.** **15-99**

(52) **U.S. Cl.**

USPC **D15/199**

CPC **B65G 1/0492** (2013.01)

(58) **Field of Classification Search**

USPC D12/1, 129; D15/199; D32/21; D34/12, D34/14, 16, 17, 20, 21-27; 180/20; 280/33.991-33.997, 47.35, 647, 651, 280/79.2, 79.3

CPC B25J 5/007; B25J 9/1694; G05D 1/027; G05D 1/0011; G05D 1/0231; G05D 1/0242; G05D 2201/0216; Y10S 901/01; Y10S 901/46; Y10S 901/49; B65G 1/0492; B66F 3/08

See application file for complete search history.

(56) **References Cited**

U.S. PATENT DOCUMENTS

D810,799 S * 2/2018 Sokuza D15/199

D812,663 S * 3/2018 Waters D15/199

D866,628 S * 11/2019 Xi D15/199
D879,852 S * 3/2020 Chen D15/199
D893,570 S * 8/2020 Zheng D15/199
D896,858 S * 9/2020 Kapuria D15/199
D902,272 S * 11/2020 Cascajar Ordonez D15/199
D906,390 S * 12/2020 Kapuria D15/199
D907,084 S * 1/2021 Kapuria D15/199
D907,677 S * 1/2021 Mork D15/199
D908,152 S * 1/2021 Cacioppo D15/199
D908,153 S * 1/2021 Cacioppo D15/199
D912,119 S * 3/2021 Rembisz D15/199
D914,075 S * 3/2021 Sokuza D15/199
D918,977 S * 5/2021 Chrysanthakopoulos

A01M 21/04

D15/199

D921,082 S * 6/2021 Hernandez D15/199

D921,083 S * 6/2021 Hernandez D15/199

D924,291 S * 7/2021 Bangalore Srinivas D15/199

D924,955 S * 7/2021 Hoshino D15/199

2017/0038776 A1 * 2/2017 Garipey G05D 1/0022

2018/0099810 A1 * 4/2018 Wu B65G 1/0492

* cited by examiner

Primary Examiner — Richard E Chilcot

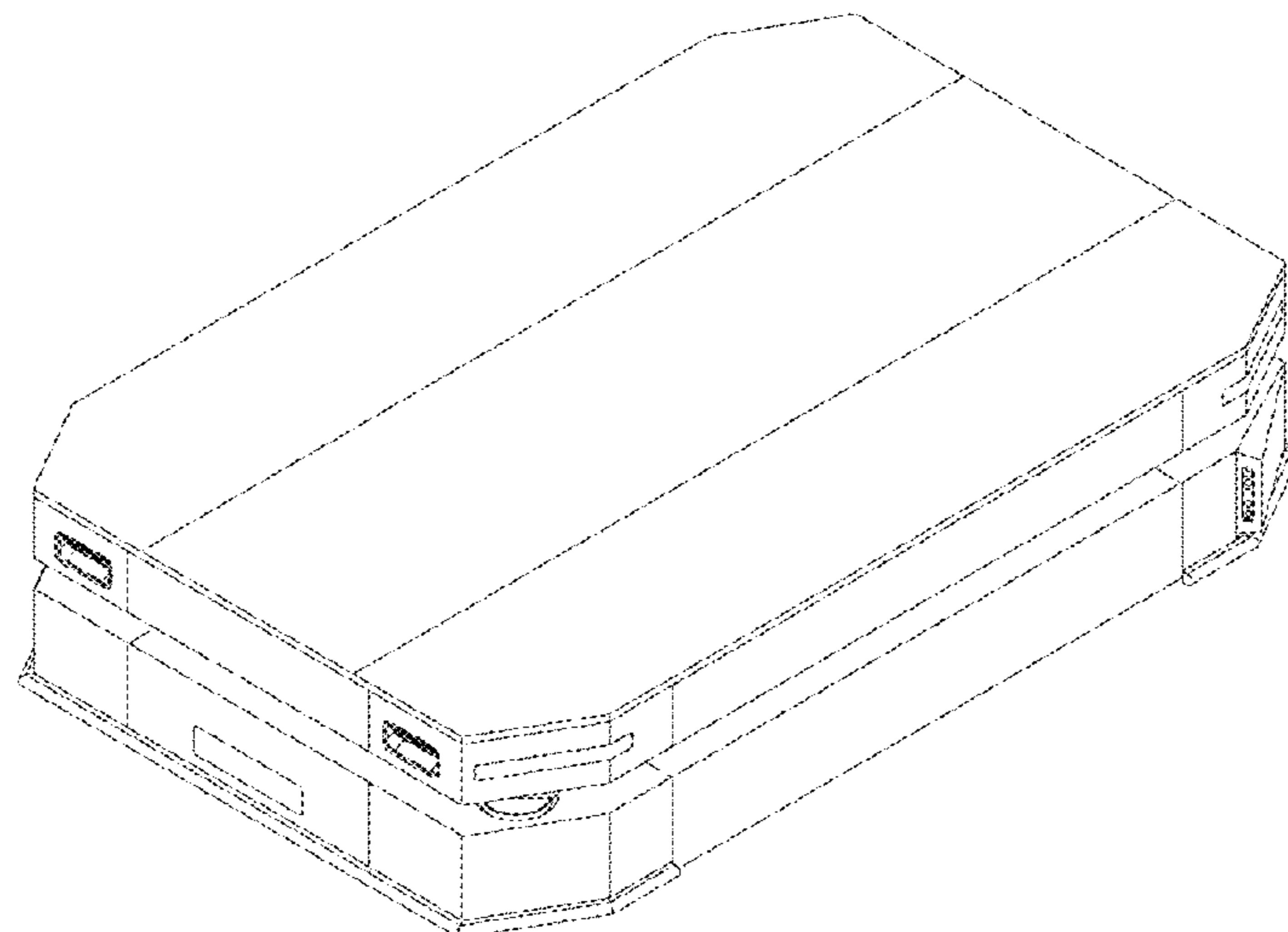
(57) **CLAIM**

The ornamental design for a transfer robot, as shown and described.

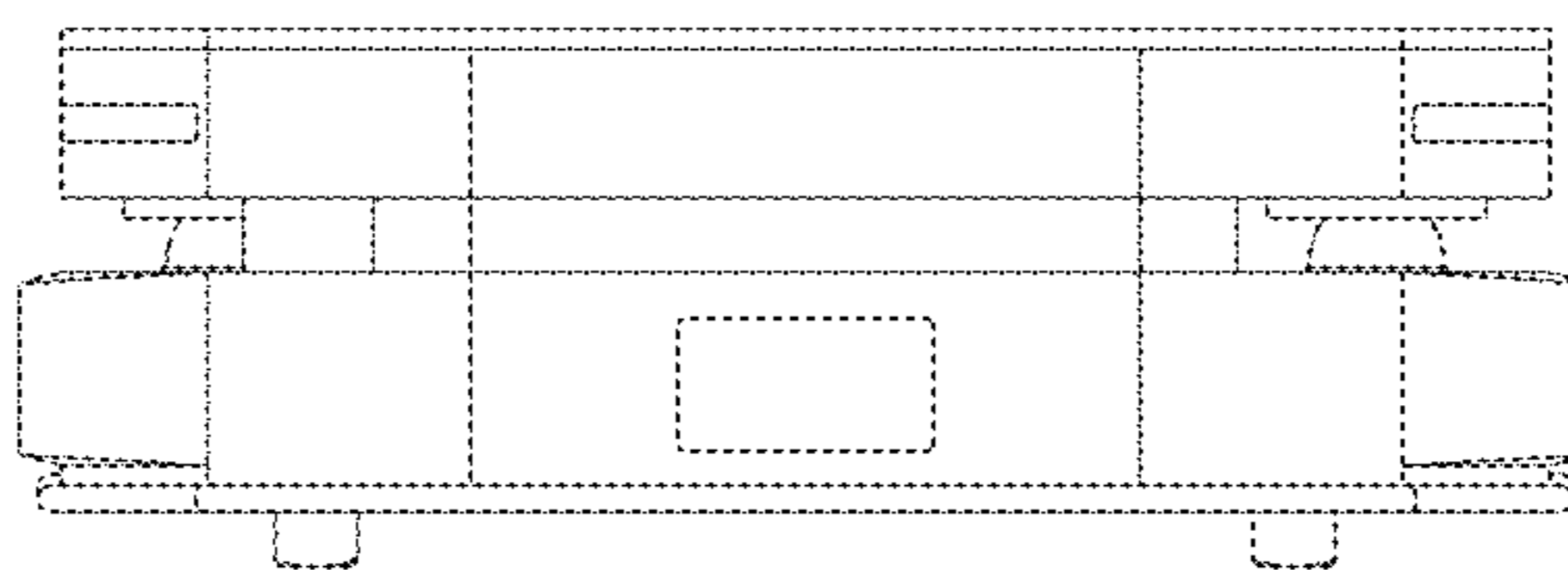
DESCRIPTION

- 1. Transfer robot
- 1.1 : Front
- 1.2 : Bottom
- 1.3 : Perspective
- 1.4 : Left
- 1.5 : Perspective
- 1.6 : Back
- 1.7 : Right
- 1.8 : Top

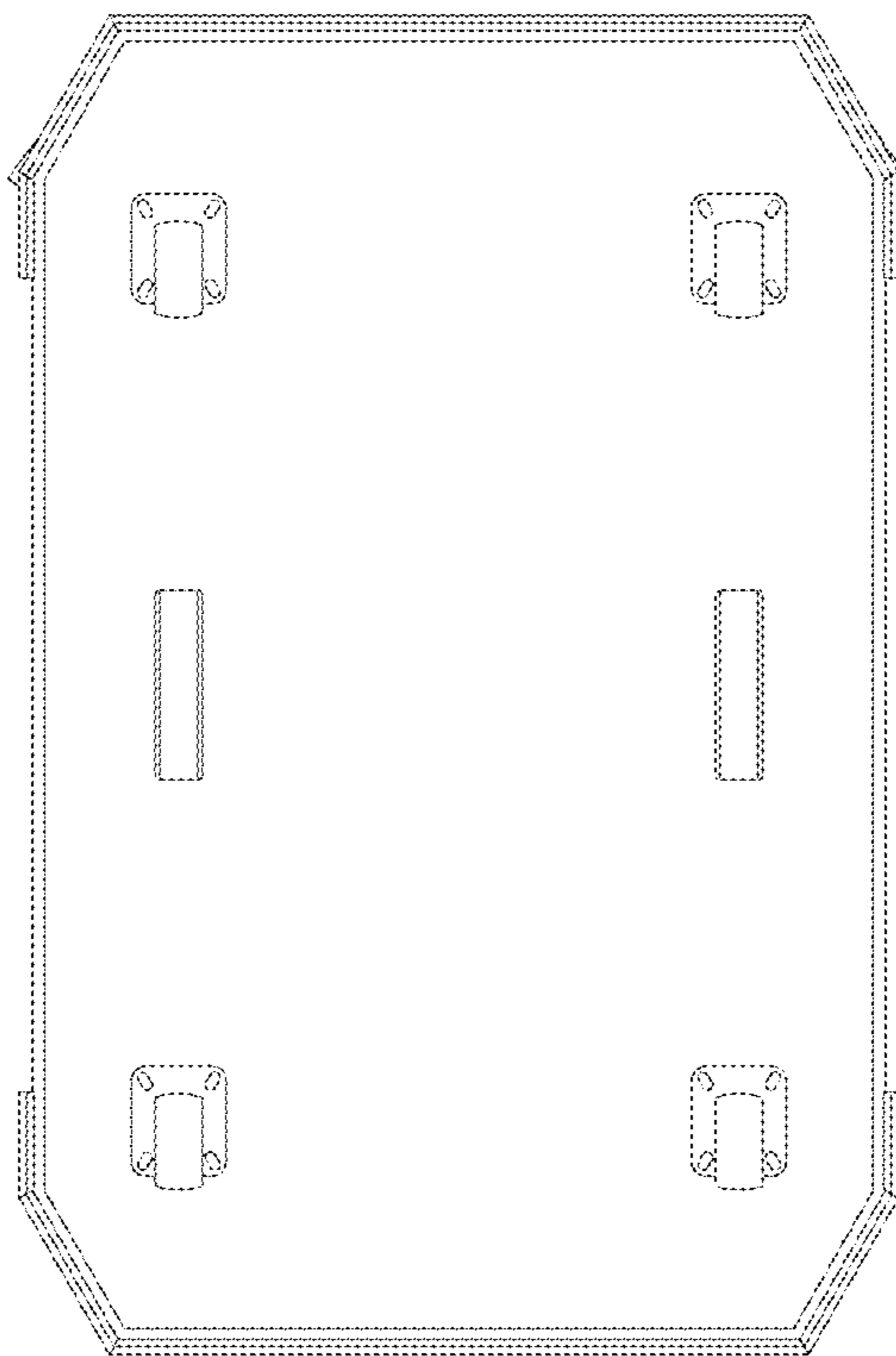
1 Claim, 8 Drawing Sheets



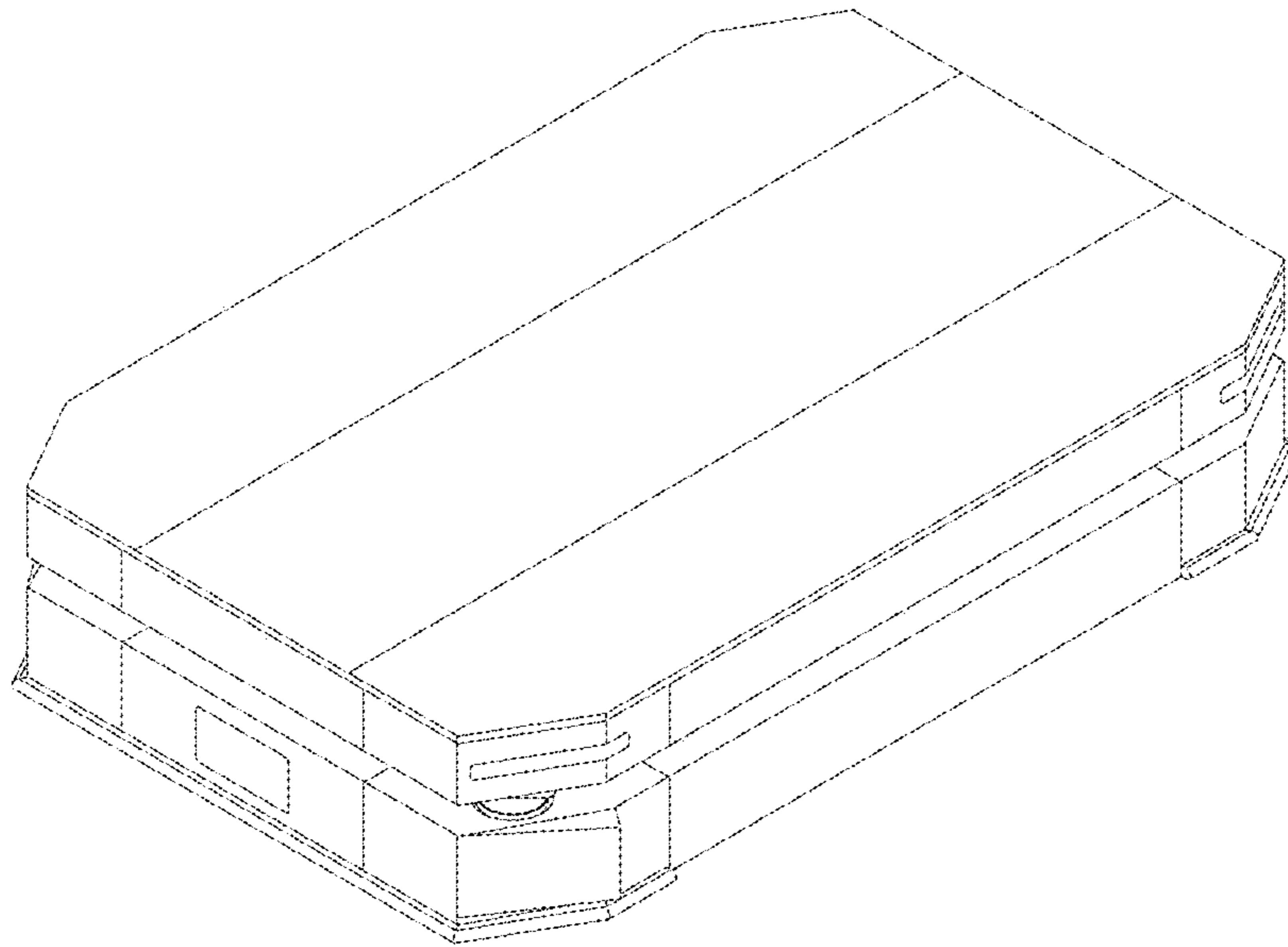
1.1



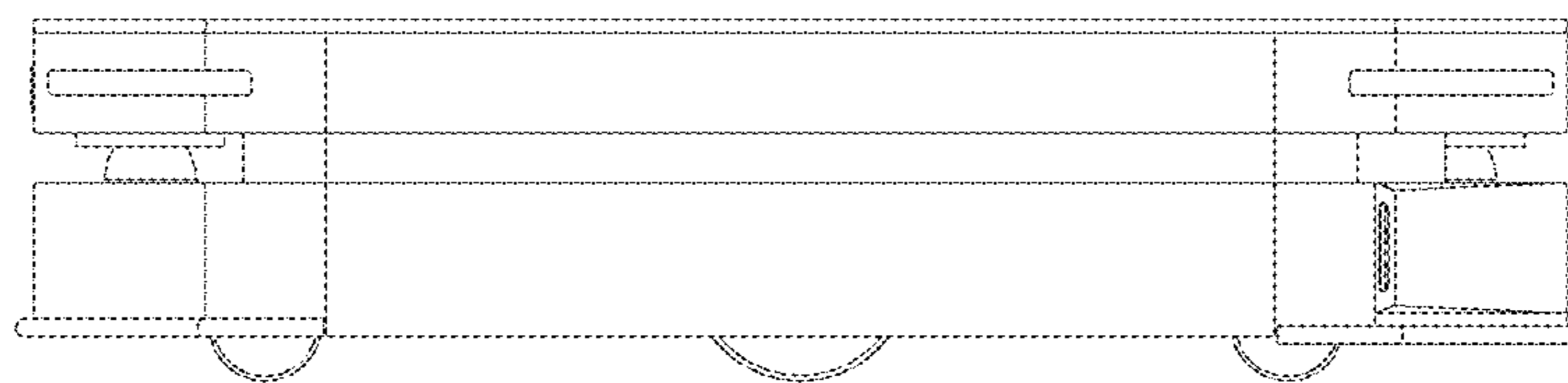
1.2



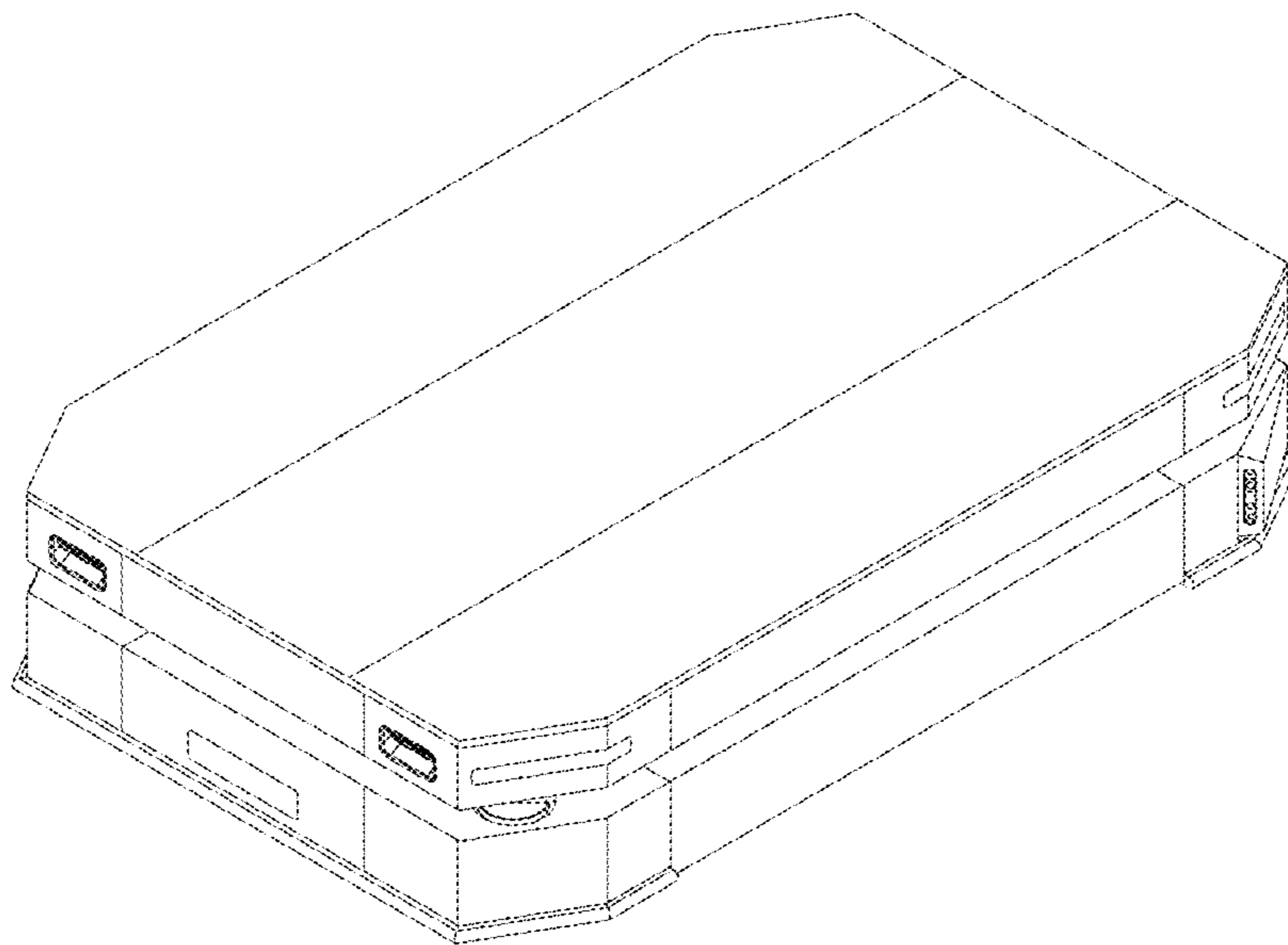
1.3



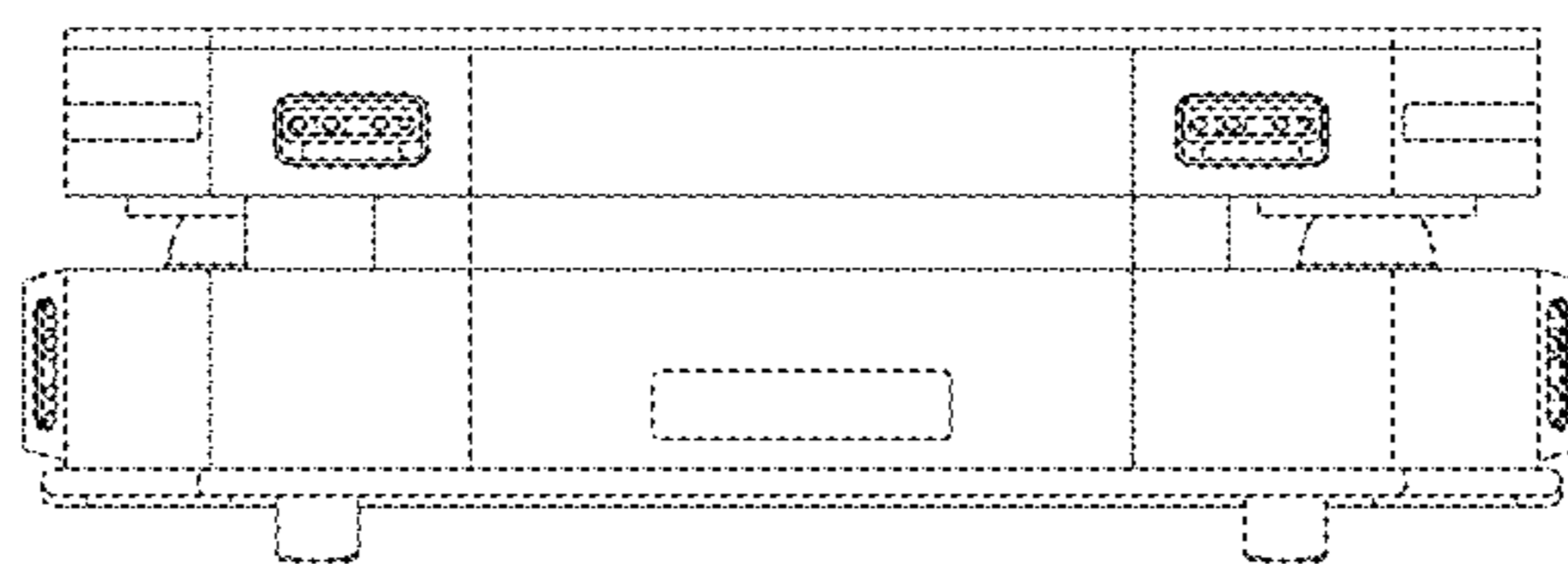
1.4



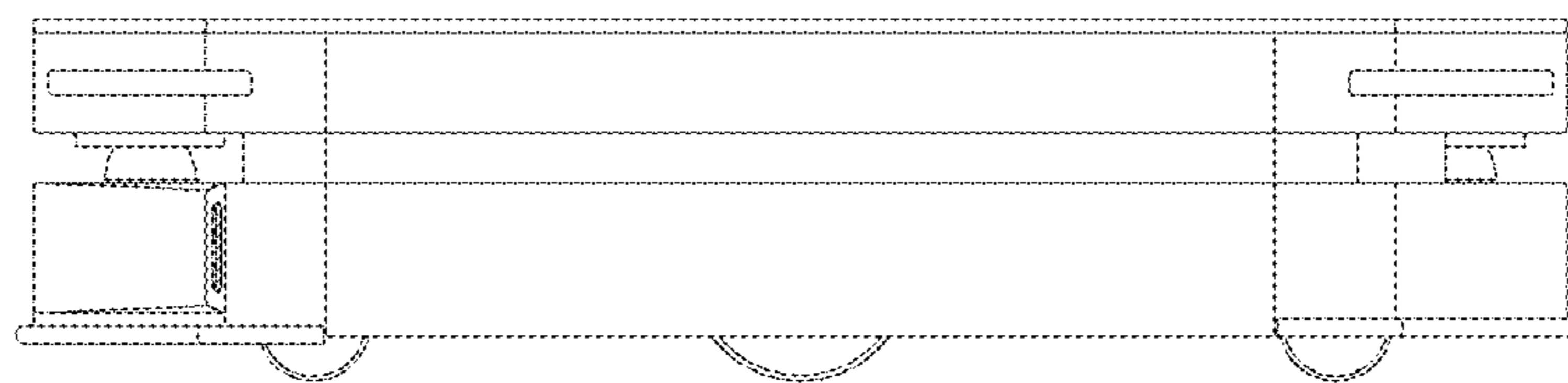
1.5



1.6



1.7



1.8

