



US00D937336S

(12) **United States Design Patent**
Yang et al.

(10) **Patent No.:** **US D937,336 S**

(45) **Date of Patent:** **** Nov. 30, 2021**

(54) **SNAP ROBOT MODULE**

(71) Applicant: **Beijing KEYi Technology Co., Ltd.**,
Beijing (CN)

(72) Inventors: **Jianbo Yang**, Beijing (CN); **Chen Zang**, Beijing (CN)

(73) Assignee: **Beijing KEYi Technology Co., Ltd.**,
Beijing (CN)

(**) Term: **15 Years**

(21) Appl. No.: **29/747,487**

(22) Filed: **Aug. 24, 2020**

(51) **LOC (13) Cl.** **15-99**

(52) **U.S. Cl.**
USPC **D15/199**

(58) **Field of Classification Search**
USPC D15/122, 199; D21/578–583; D34/34,
D34/35
CPC B23K 9/287; B23K 9/133; B25J 9/0025;
B25J 9/0018; B25J 9/046; B25J 9/042;
B25J 9/06; H01L 21/67766; Y10T
74/20311; Y10T 74/20307; Y10T
74/20207; Y10T 74/20

See application file for complete search history.

(56) **References Cited**

U.S. PATENT DOCUMENTS

D351,849 S * 10/1994 Cheung D15/199
D465,733 S * 11/2002 Hill D9/519
D692,041 S * 10/2013 Selic D15/199
D716,357 S * 10/2014 Gombert D15/199
D734,821 S * 7/2015 Greaves D21/578
D740,371 S * 10/2015 Ries D21/333
D776,178 S * 1/2017 Ries D15/199
D802,041 S * 11/2017 He D15/199
D807,936 S * 1/2018 He D15/199
D824,460 S * 7/2018 Wang D21/578

D831,755 S * 10/2018 Wang D21/578
D832,327 S * 10/2018 Miao D15/199
D835,582 S * 12/2018 Wang D13/133
D866,553 S * 11/2019 Miura D14/388
D873,878 S * 1/2020 Vazquez D15/199
D890,238 S * 7/2020 Lundback B25J 17/0283
74/490.01

(Continued)

FOREIGN PATENT DOCUMENTS

CN 305957208 S 7/2020
WO WO-2021013995 A1 * 1/2021 B25J 9/08

OTHER PUBLICATIONS

The applicant participated in the International Consumer Electronics Show from Jan. 7, 2020 to Jan. 10, 2020, and the exhibition venue is Sands Expo 201 Sands Ave, Las Vegas, NV 89169.

(Continued)

Primary Examiner — Patricia A Palasik
(74) *Attorney, Agent, or Firm* — Andrew C. Cheng

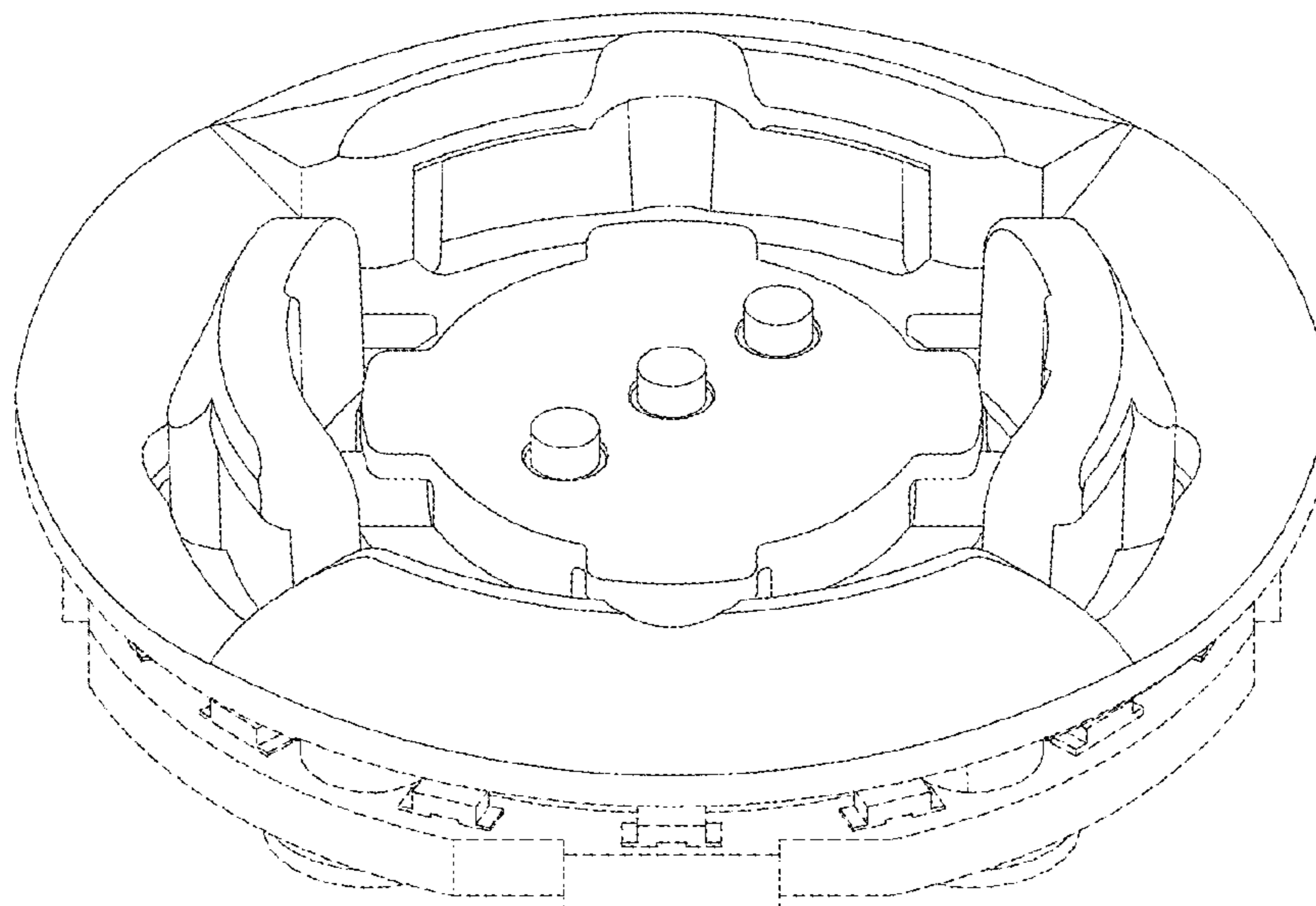
(57) **CLAIM**

We claim the ornamental design for a snap robot module, as shown and described.

DESCRIPTION

FIG. 1 is a front view of a snap robot module showing our new design according to a first embodiment;
FIG. 2 is a rear view thereof;
FIG. 3 is a left side view thereof;
FIG. 4 is a right side view thereof;
FIG. 5 is a top view thereof;
FIG. 6 is a bottom view thereof; and,
FIG. 7 is a perspective view thereof.
The broken line showing of the environment is for illustrative purposes only and forms no part of the claimed design.

1 Claim, 7 Drawing Sheets



(56)

References Cited

U.S. PATENT DOCUMENTS

D890,829 S * 7/2020 Wilson B25J 18/04
 D15/199
 D891,494 S * 7/2020 Wilson B25J 9/104
 D15/199
 D895,705 S * 9/2020 Johansen D15/199
 D901,694 S * 11/2020 Mendoza D15/199
 D912,114 S * 3/2021 Reichert D15/199
 D928,858 S * 8/2021 Lee B25J 5/007
 D930,058 S * 9/2021 Mahe B25J 9/08
 2011/0048650 A1* 3/2011 Lawson B60C 25/05
 157/16
 2011/0064554 A1* 3/2011 Ito B25J 9/047
 414/735
 2011/0265597 A1* 11/2011 Long B25J 17/0258
 74/490.05
 2012/0085191 A1* 4/2012 Long B25J 17/02
 74/423
 2013/0047771 A1* 2/2013 Liu B25J 19/0029
 74/490.02

2013/0118286 A1* 5/2013 Long B25J 17/0283
 74/490.01
 2013/0125694 A1* 5/2013 Long B25J 11/0075
 74/490.01
 2013/0125696 A1* 5/2013 Long B25J 18/04
 74/490.05
 2013/0145891 A1* 6/2013 Long B25J 9/104
 74/490.02
 2016/0331482 A1* 11/2016 Hares A61B 34/35
 2018/0024561 A1* 1/2018 Soh G05D 1/0272
 700/258
 2020/0276697 A1* 9/2020 Yan B25J 5/007
 2021/0039249 A1* 2/2021 Yang B25J 9/08

OTHER PUBLICATIONS

The applicant uploaded a video on YouTube with link <https://www.youtube.com/watch?v=v3-VZJIO9mY>.

* cited by examiner

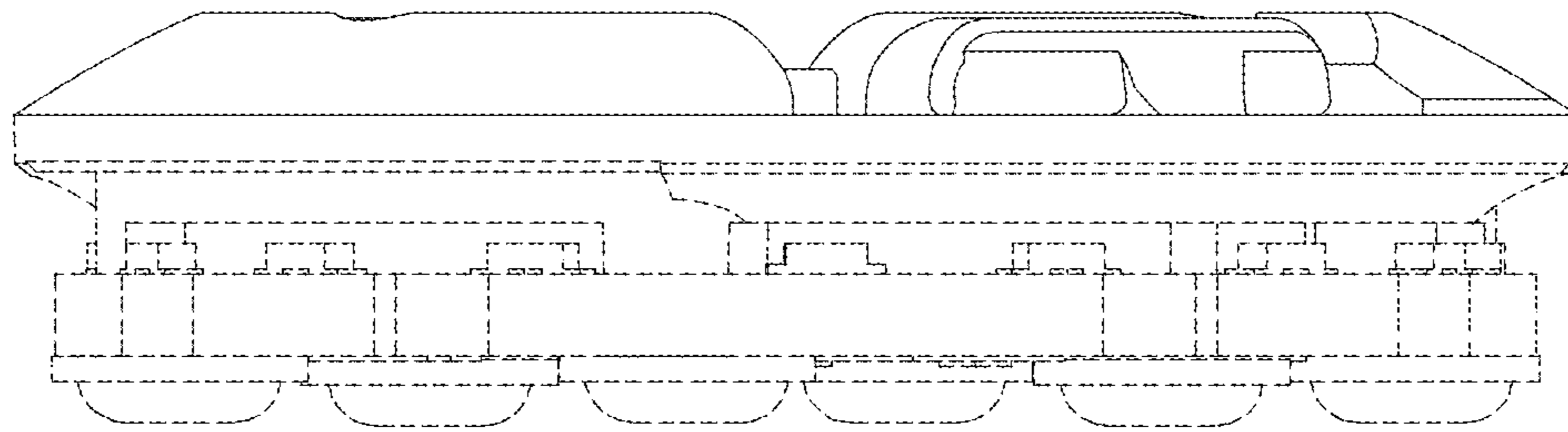


FIG.1

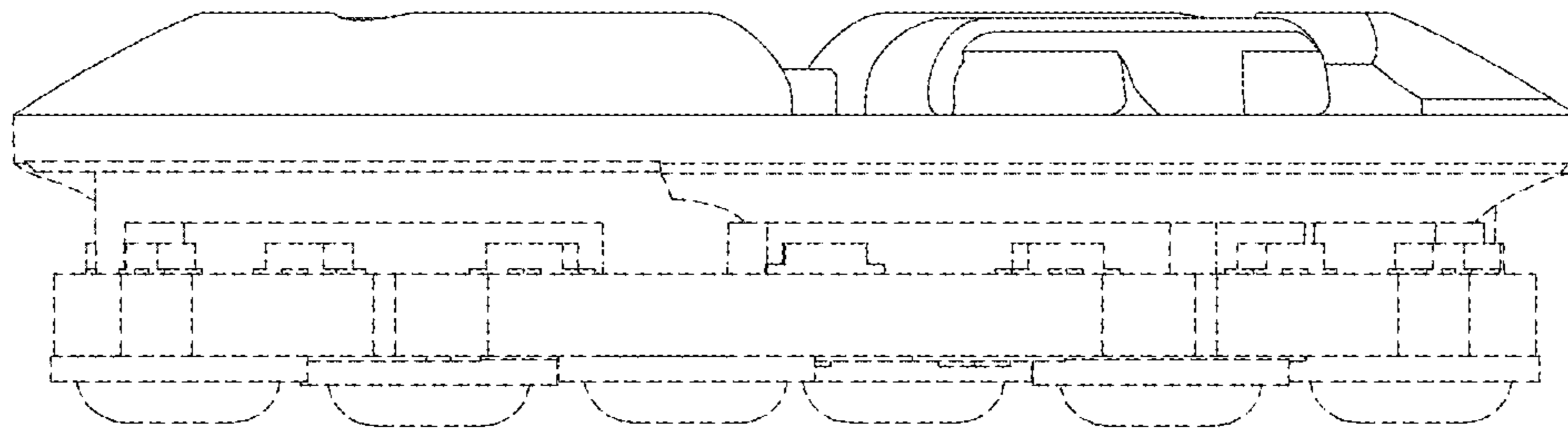


FIG.2

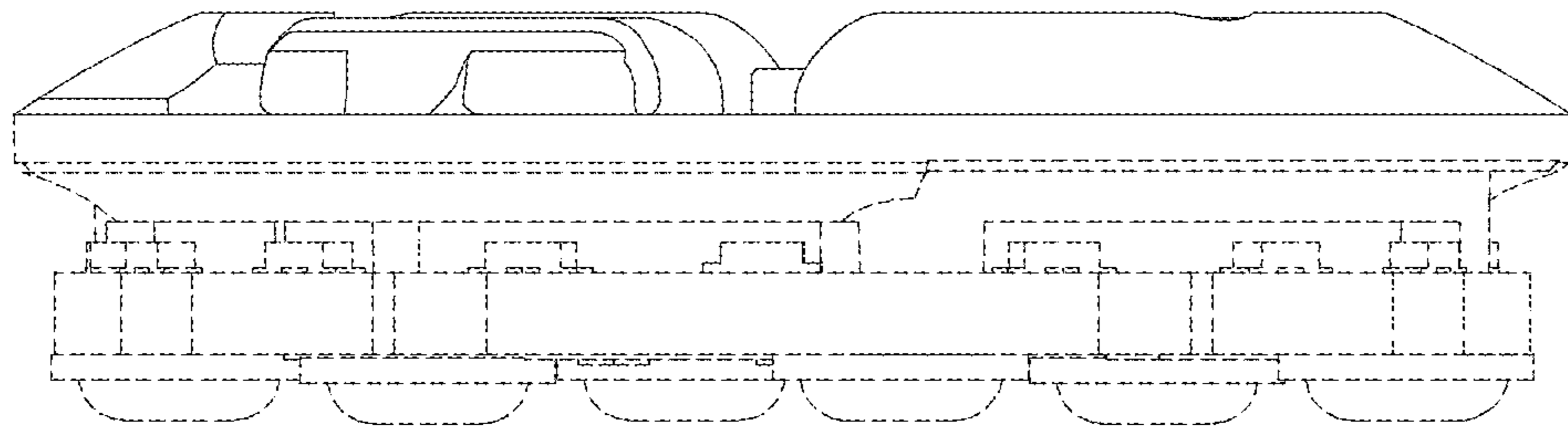


FIG.3

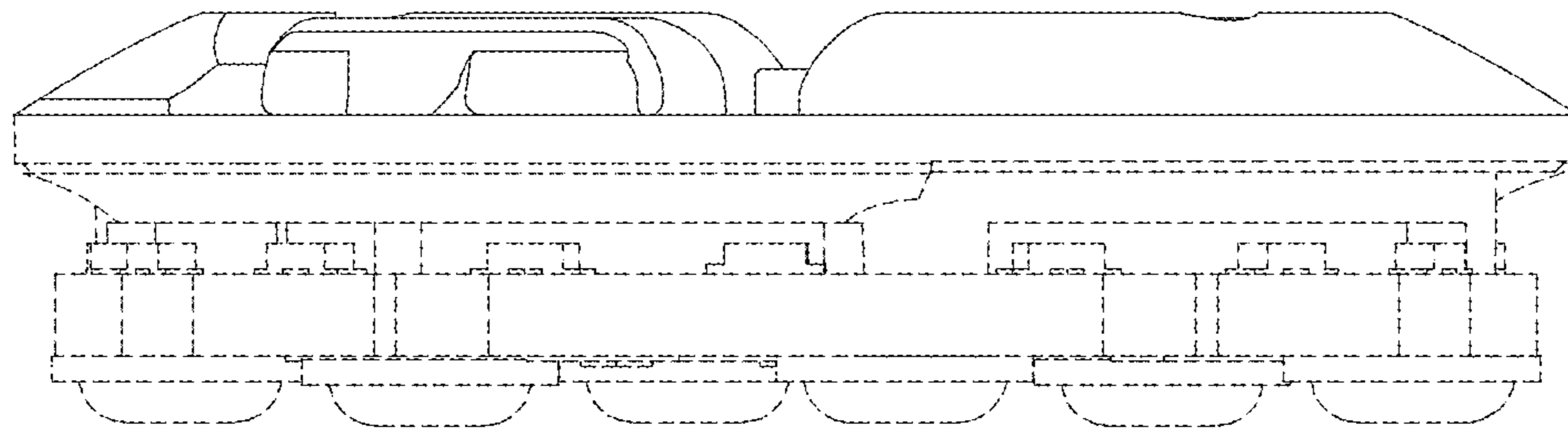


FIG.4

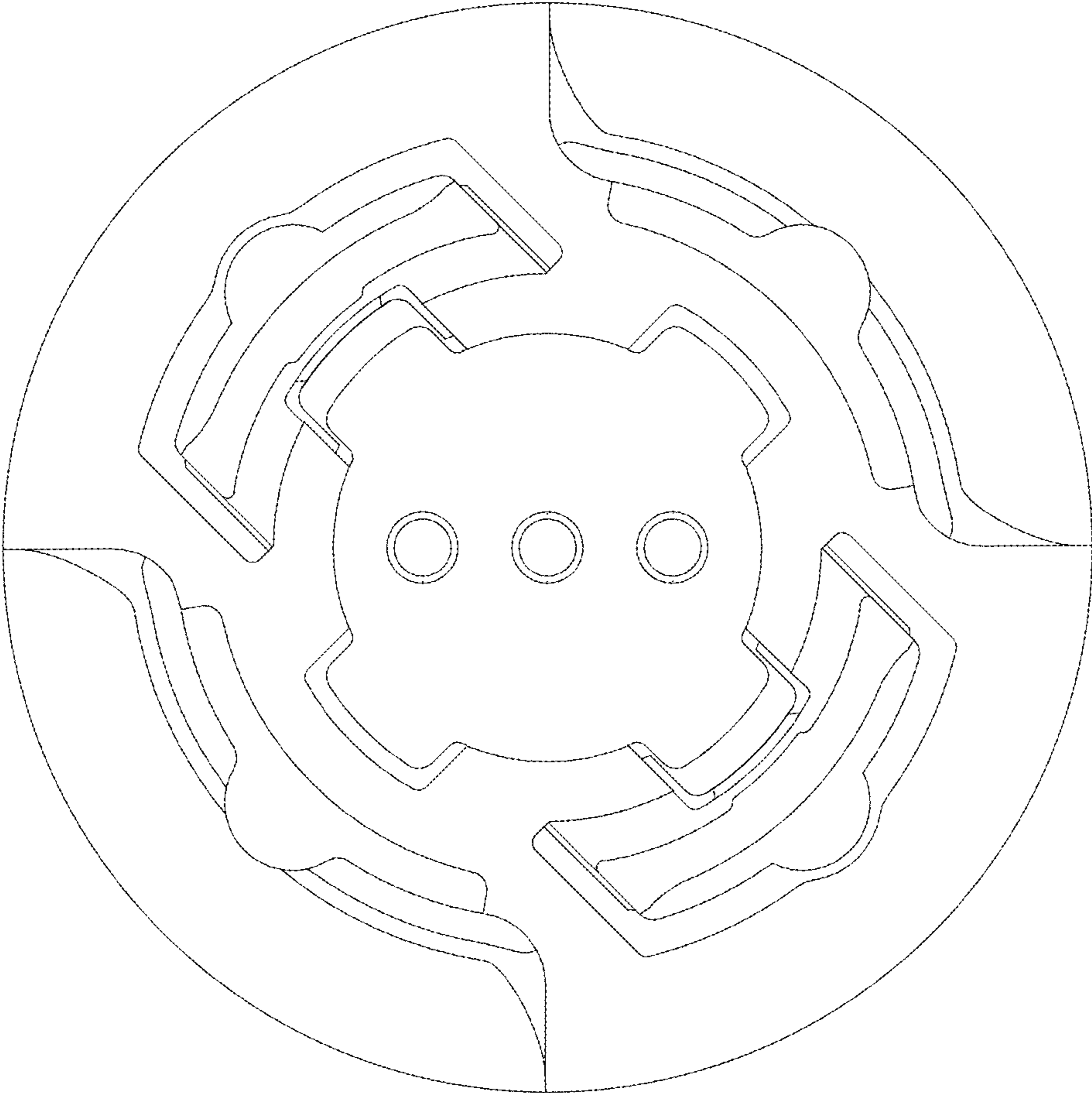


FIG.5

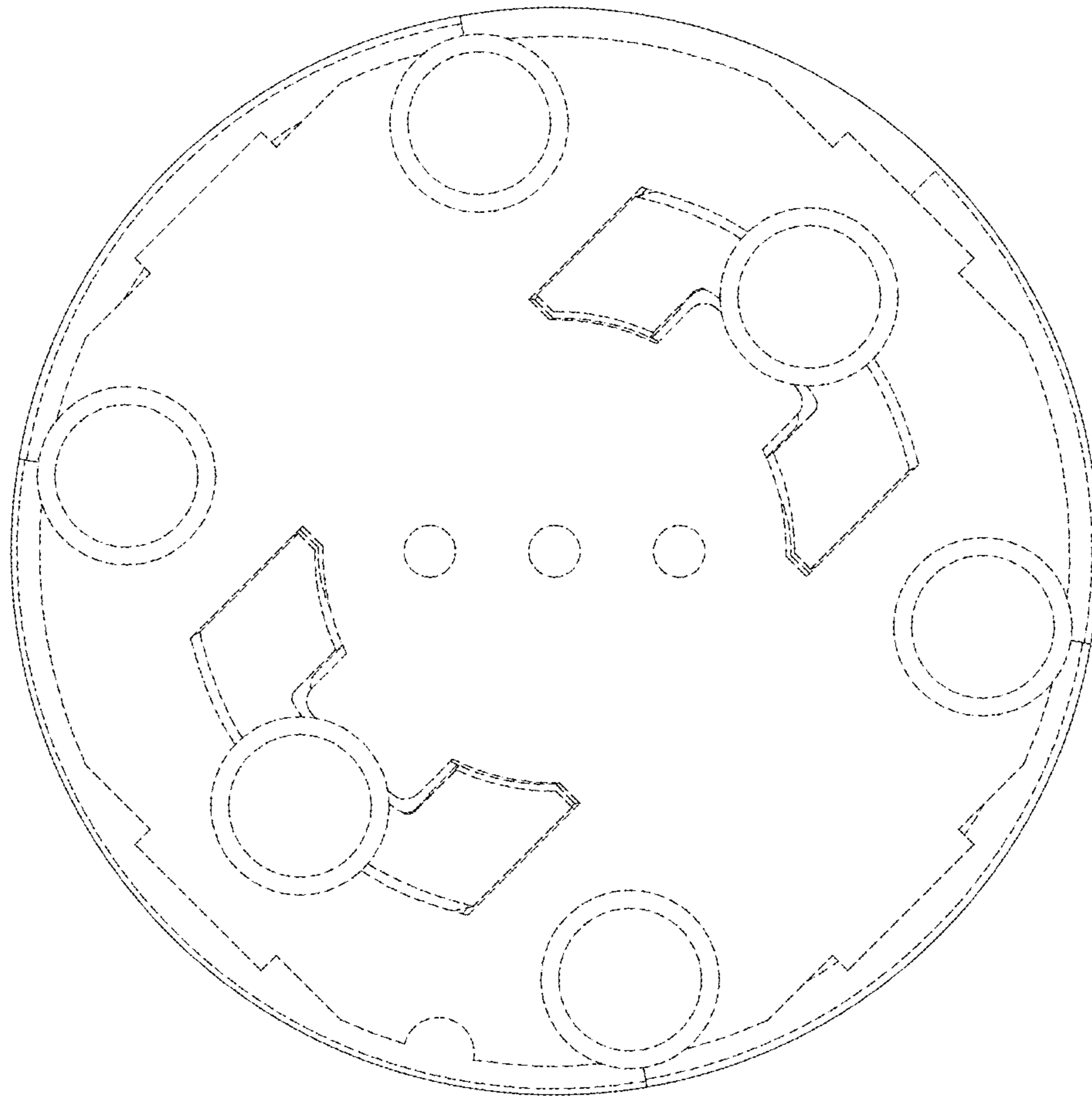


FIG.6

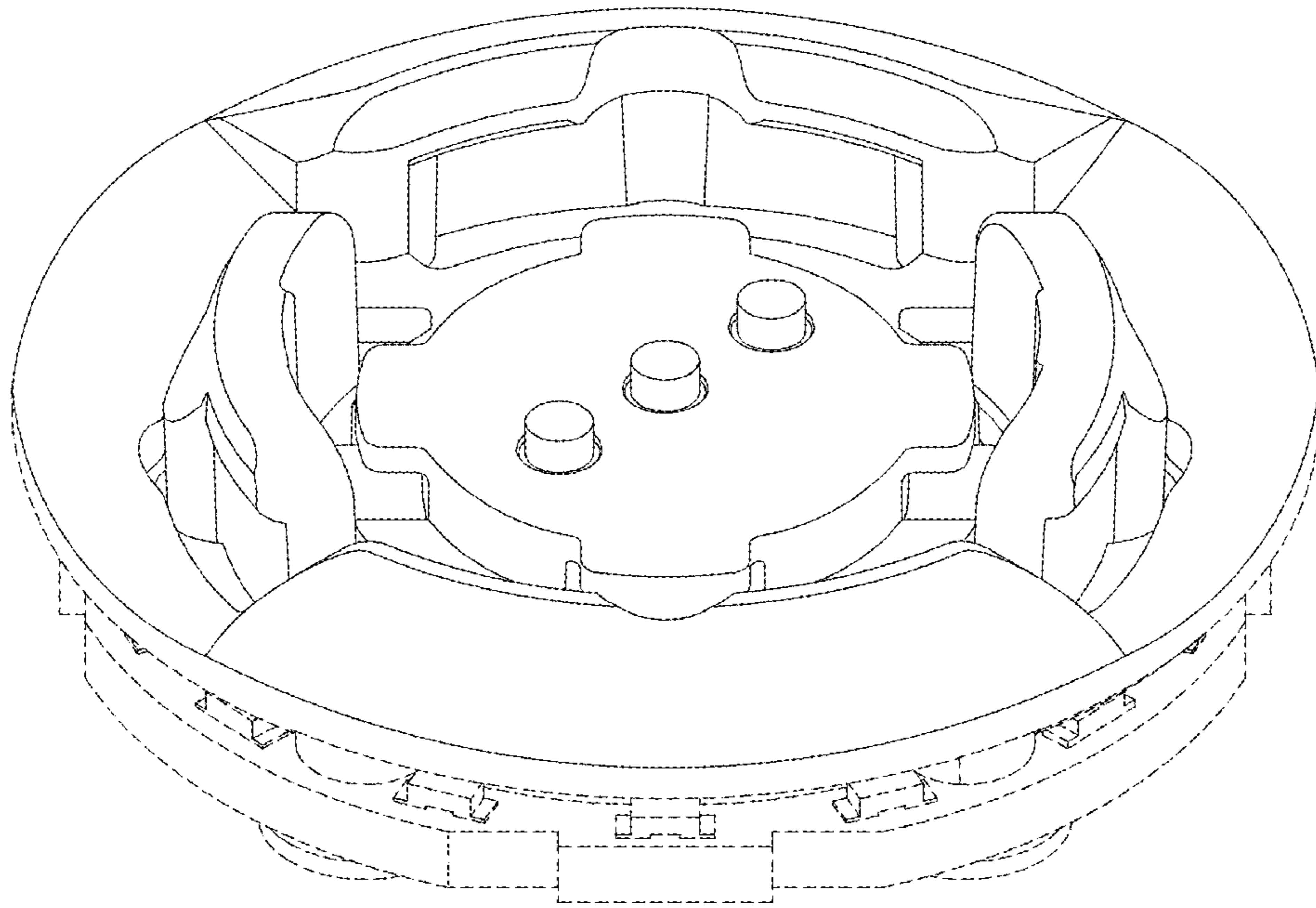


FIG.7