



US00D937333S

(12) **United States Design Patent** (10) **Patent No.:** **US D937,333 S**
Yang et al. (45) **Date of Patent:** **** Nov. 30, 2021**

(54) **ROBOT ARM**
(71) Applicant: **Beijing KEYi Technology Co., Ltd.**,
Beijing (CN)
(72) Inventors: **Jianbo Yang**, Beijing (CN); **Chen Zang**, Beijing (CN)
(73) Assignee: **Beijing KEYi Technology Co., Ltd.**,
Beijing (CN)
(**) Term: **15 Years**
(21) Appl. No.: **29/747,474**
(22) Filed: **Aug. 24, 2020**
(51) **LOC (13) Cl.** **15-99**
(52) **U.S. Cl.**
USPC **D15/199**
(58) **Field of Classification Search**
USPC D15/122, 199; D21/578–583; D34/34,
D34/35
CPC B23K 9/287; B23K 9/133; B25J 9/0025;
B25J 9/0018; B25J 9/046; B25J 9/042;
B25J 9/06; H01L 21/67766; Y10T
74/20311; Y10T 74/20307; Y10T
74/20207; Y10T 74/20
See application file for complete search history.

(56) **References Cited**
U.S. PATENT DOCUMENTS
D677,294 S * 3/2013 Long D15/199
D692,041 S * 10/2013 Selic D15/199
D716,357 S * 10/2014 Gombert D15/199
D740,371 S * 10/2015 Ries D21/333
D776,178 S * 1/2017 Ries D15/199
D802,041 S * 11/2017 He D15/199
D824,977 S * 8/2018 Everman D15/199
D837,853 S * 1/2019 Deng D15/199
D841,065 S * 2/2019 Hontani D15/199
D865,828 S * 11/2019 Bogart D15/199
D873,878 S * 1/2020 Vazquez D15/199

D874,530 S * 2/2020 Haddadin D15/199
D906,392 S * 12/2020 Wappler D15/199
D912,117 S * 3/2021 Berkowitz D15/199
2010/0131099 A1* 5/2010 Birkenbach G05B 19/402
700/254
2011/0064554 A1* 3/2011 Ito B25J 9/047
414/735
2011/0265597 A1* 11/2011 Long B25J 17/0258
74/490.05

(Continued)

FOREIGN PATENT DOCUMENTS

CN 305957203 S 7/2020
WO WO-2021013995 A1 * 1/2021 B25J 9/08
WO WO-2021017175 A1 * 2/2021

OTHER PUBLICATIONS

The applicant participated in the International Consumer Electronics Show from Jan. 7, 2020 to Jan. 10, 2020, and the exhibition venue is Sands Expo 201 Sands Ave, Las Vegas, NV 89169.

(Continued)

Primary Examiner — Patricia A Palasik
(74) *Attorney, Agent, or Firm* — Andrew C. Cheng

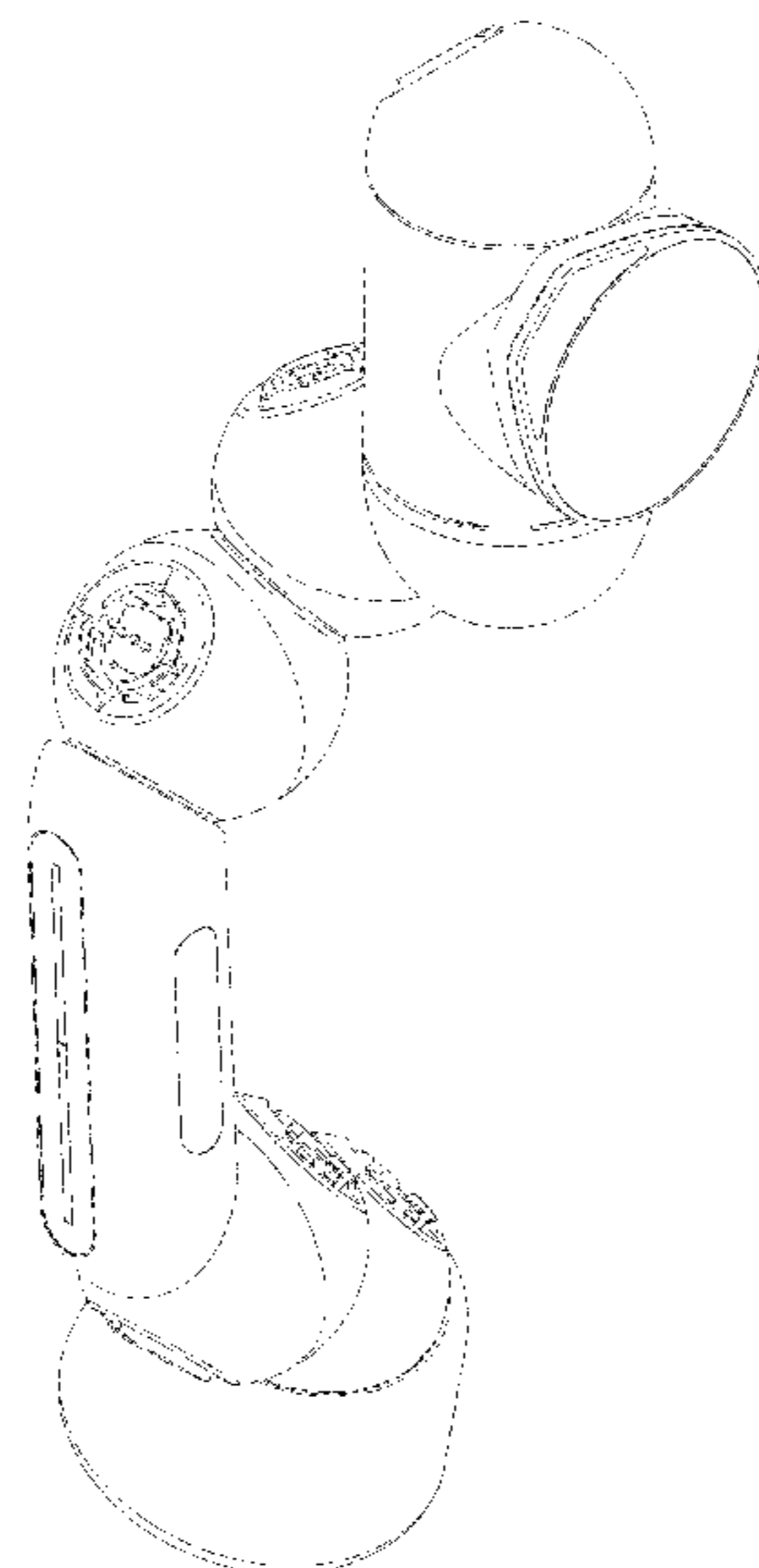
(57) **CLAIM**

We claim the ornamental design for a robot arm, as shown and described.

DESCRIPTION

FIG. 1 is a front view of a robot arm showing our new design according to a first embodiment;
FIG. 2 is a rear view thereof;
FIG. 3 is a left side view thereof;
FIG. 4 is a right side view thereof;
FIG. 5 is a top view thereof;
FIG. 6 is a bottom view thereof; and,
FIG. 7 is a perspective view thereof.

1 Claim, 7 Drawing Sheets



(56)

References Cited

U.S. PATENT DOCUMENTS

2012/0085191 A1* 4/2012 Long B25J 17/02
74/423
2013/0118286 A1* 5/2013 Long B25J 17/0283
74/490.01
2013/0125694 A1* 5/2013 Long B25J 11/0075
74/490.01
2013/0125696 A1* 5/2013 Long B25J 18/04
74/490.05
2013/0145891 A1* 6/2013 Long B25J 9/104
74/490.02
2016/0327383 A1* 11/2016 Becker G01B 11/005
2016/0331482 A1* 11/2016 Hares A61B 34/35

OTHER PUBLICATIONS

The applicant uploaded a video on YouTube with link <https://www.youtube.com/watch?v=v3-VZJIO9mY>.

* cited by examiner

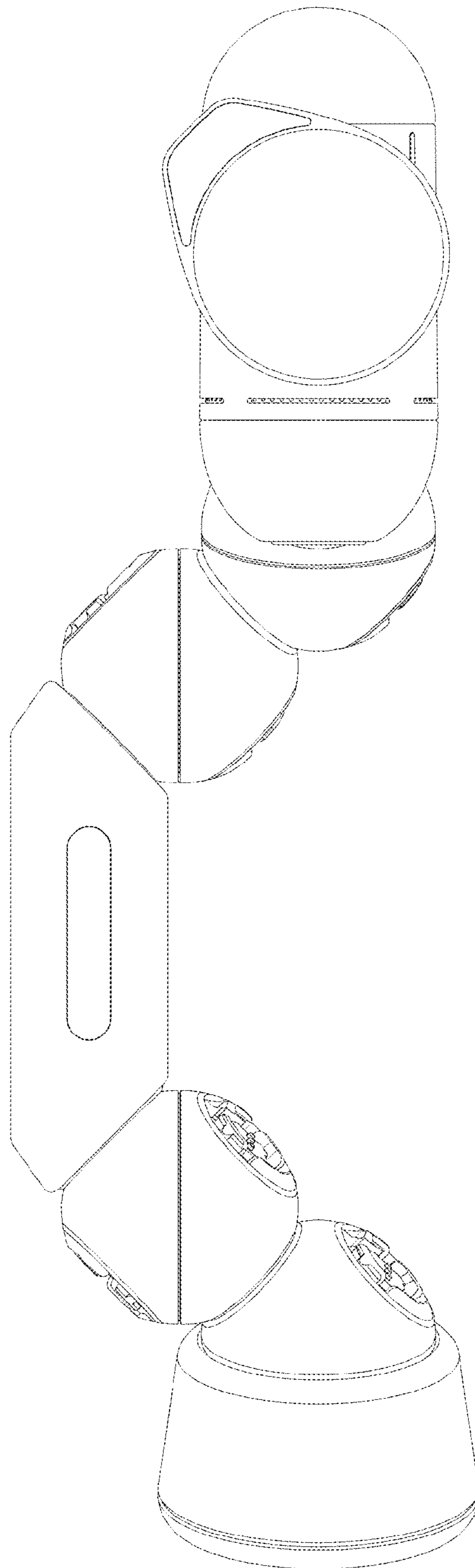


FIG. 1

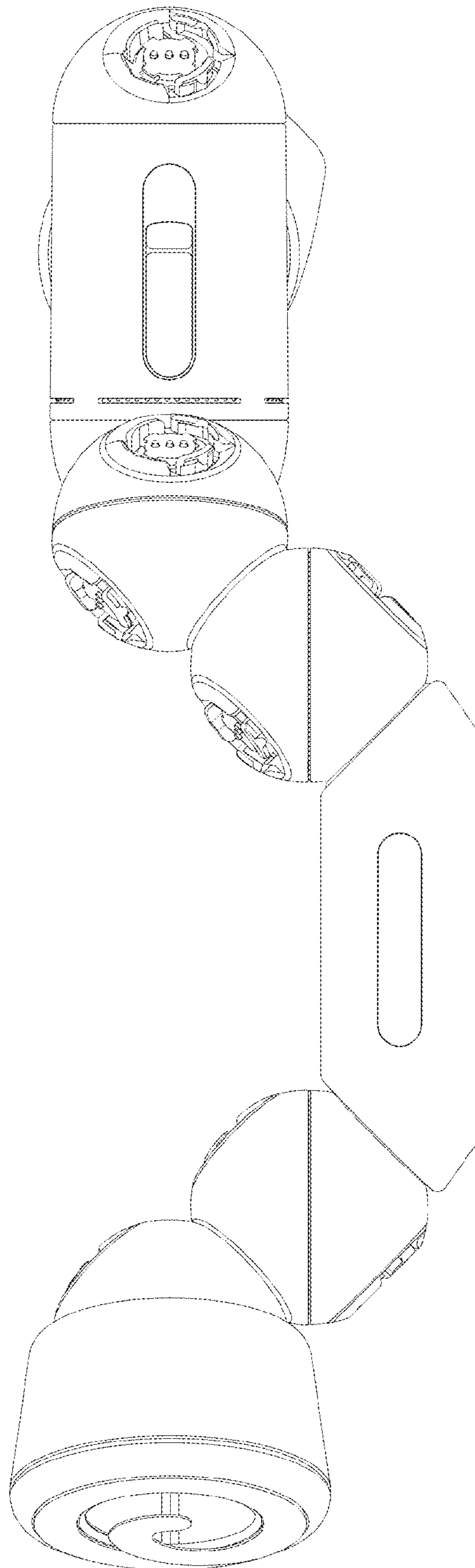


FIG. 2

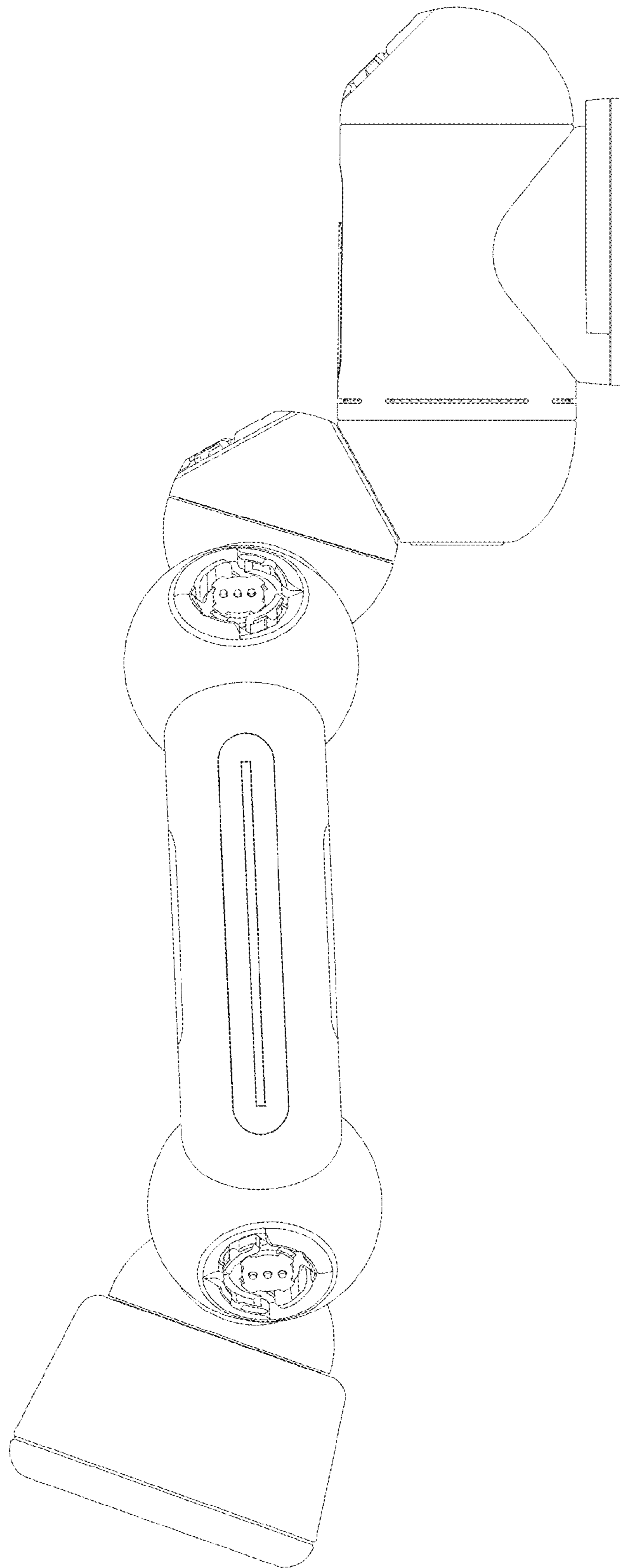


FIG. 3

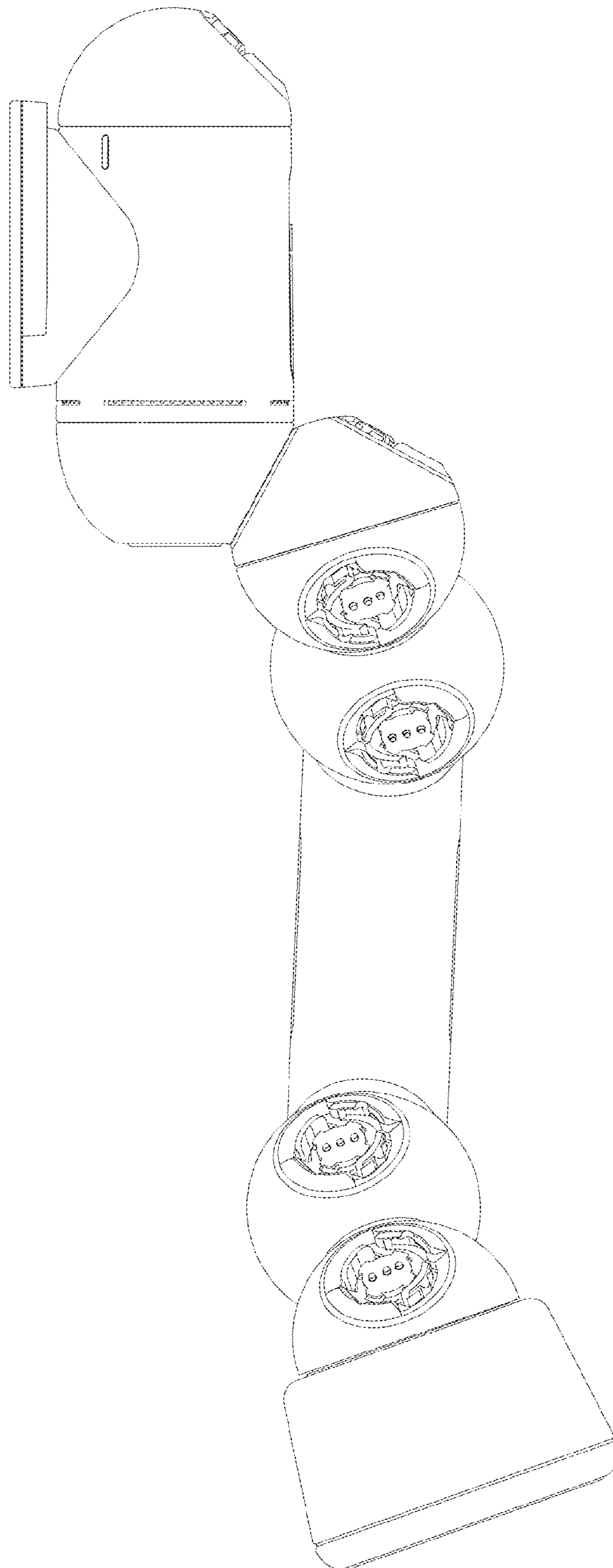


FIG. 4

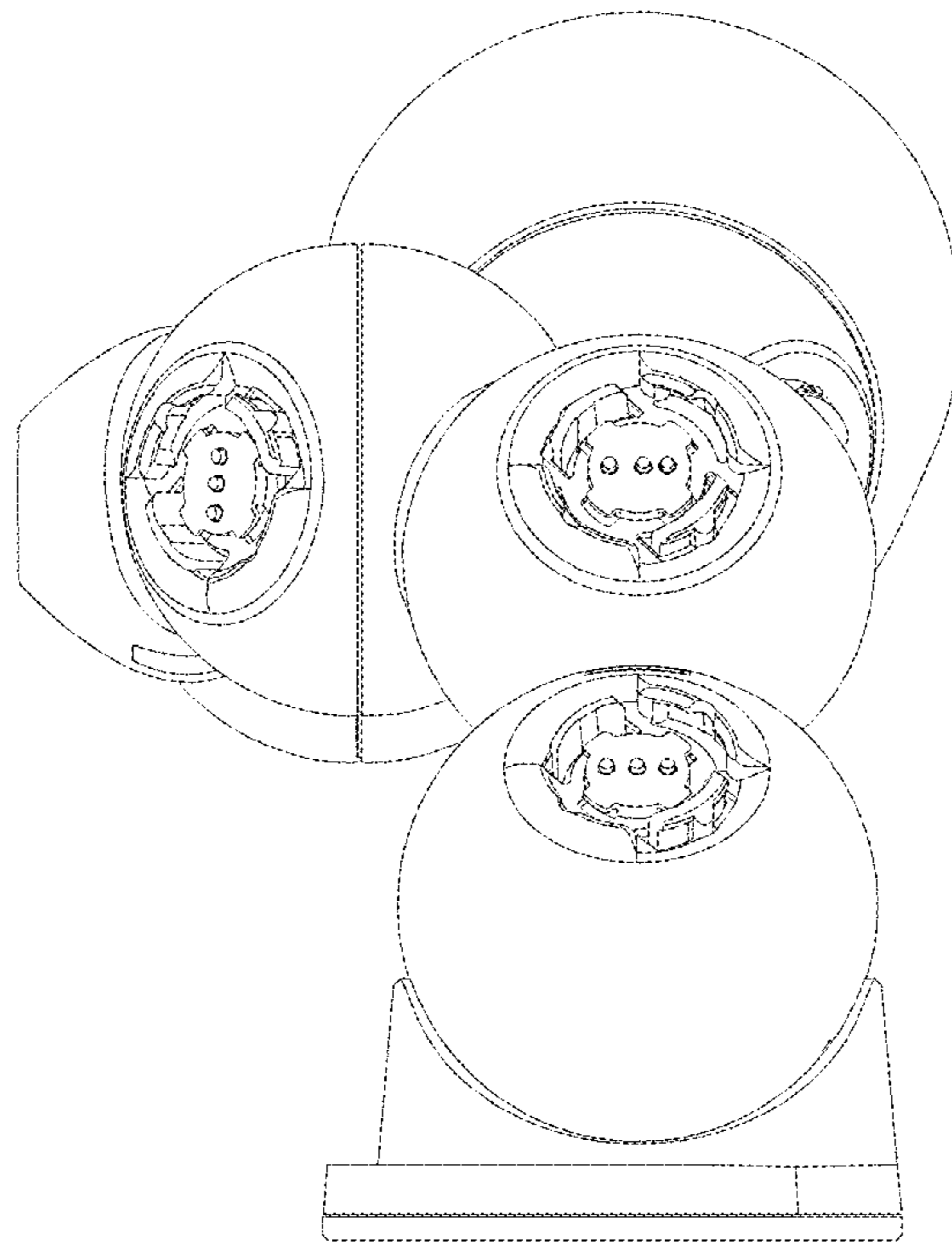


FIG. 5

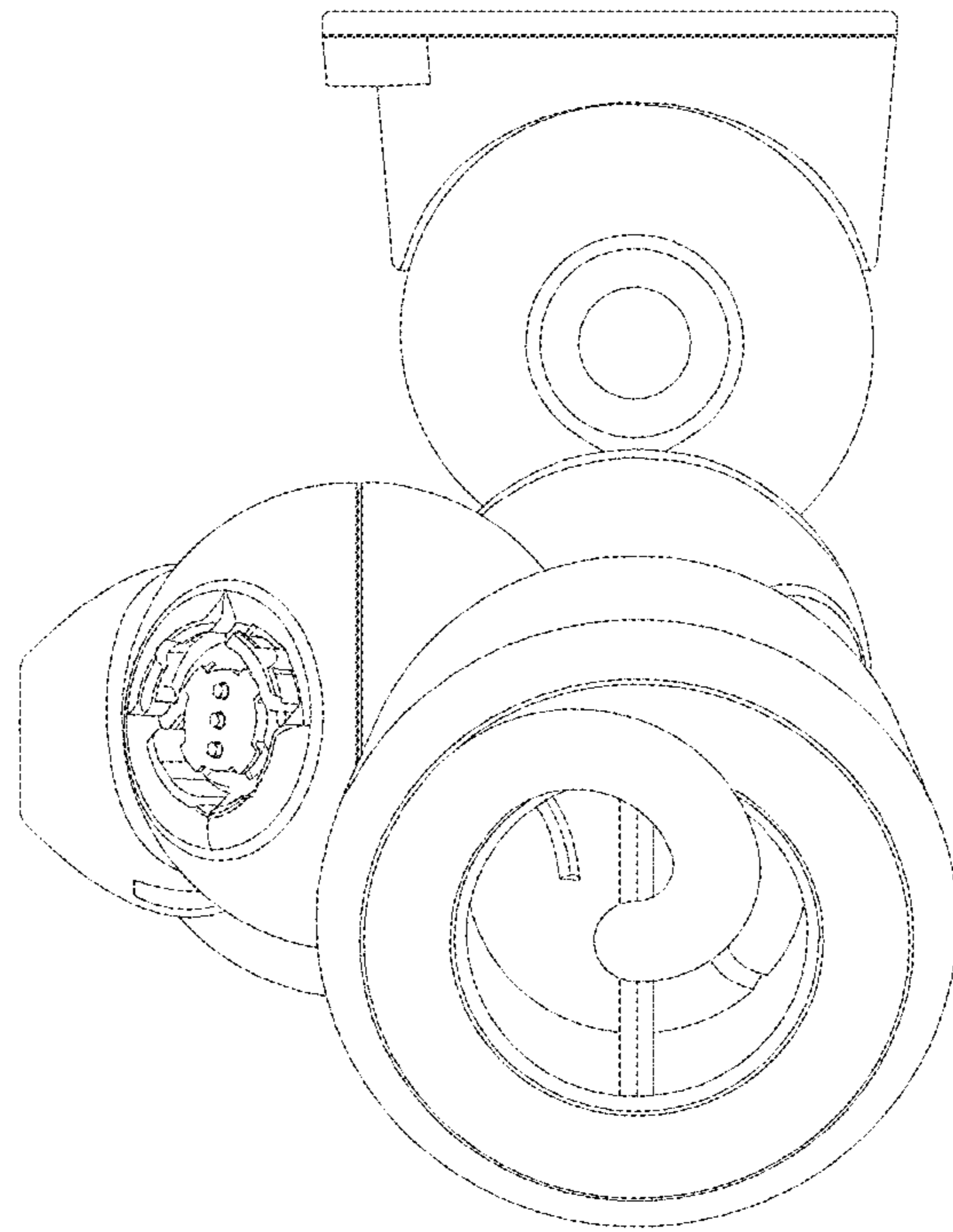


FIG. 6

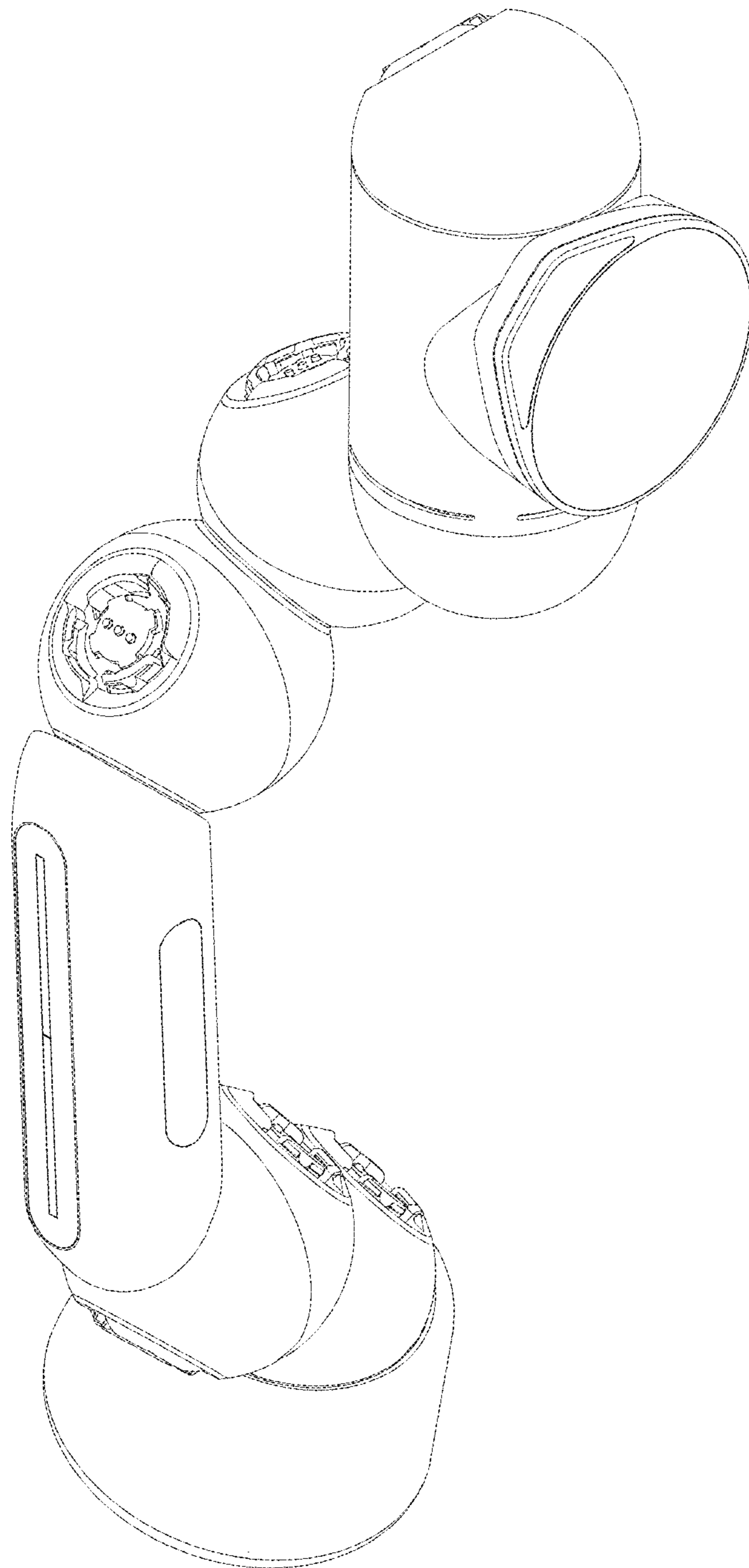


FIG. 7