



US00D937331S

(12) **United States Design Patent** (10) **Patent No.:** **US D937,331 S**
Baracca et al. (45) **Date of Patent:** **** Nov. 30, 2021**

(54) **HOUSING FOR BALL BEARINGS**
(71) Applicant: **Aktiebolaget SKF**, Gothenburg (SE)
(72) Inventors: **Fausto Baracca**, Massa (IT); **Andrea A Bertolini**, Carrara (IT); **Pasquale Frezza**, Aversa (IT); **Alessio Nebbia Colomba**, Pisa (IT)
(73) Assignee: **AKTIEBOLAGET SKF**, Gothenburg (SE)
(**) Term: **15 Years**
(21) Appl. No.: **29/695,413**
(22) Filed: **Jun. 19, 2019**

D234,429 S * 3/1975 Hershberger et al. D13/122
3,936,099 A * 2/1976 Braun F16C 23/084
384/537
D297,761 S * 9/1988 Shiraki D23/370
D371,138 S * 6/1996 Waskiewicz 384/428
D371,139 S * 6/1996 Waskiewicz 384/428
5,929,545 A * 7/1999 Fargo H02K 5/15
310/89
D418,847 S * 1/2000 Ichihara D15/143
D442,197 S * 5/2001 Willet D15/143
6,380,645 B1 * 4/2002 Scott H02K 5/1732
310/400
6,559,566 B2 * 5/2003 Modi H02K 5/15
310/85
D550,621 S * 9/2007 Vuorio D13/118
D605,998 S * 12/2009 McEwen D12/207
D632,776 S * 2/2011 dos Anjos D23/411
8,039,771 B2 * 10/2011 Trondsen H01H 33/66261
218/136

(30) **Foreign Application Priority Data**
Dec. 19, 2018 (EM) EM005932514-0001
(51) **LOC (13) Cl.** **15-09**
(52) **U.S. Cl.**
USPC **D15/143**
(58) **Field of Classification Search**
USPC D23/411, 370, 381, 380, 332, 413;
D13/122, 101, 112, 113, 118; D15/5,
D15/143
CPC F04D 15/0077; F04D 15/02; H02K 5/173;
H02K 5/1732; H02K 5/22; H02K 5/16;
H02K 5/00; H02K 5/02; H02K 5/04;
H02K 5/15
See application file for complete search history.

(56) **References Cited**
U.S. PATENT DOCUMENTS
D182,770 S * 5/1958 Lynch et al. D13/122
D191,706 S * 11/1961 Jaeschke et al. D13/122
3,314,735 A * 4/1967 Kocian F16C 33/6622
384/475

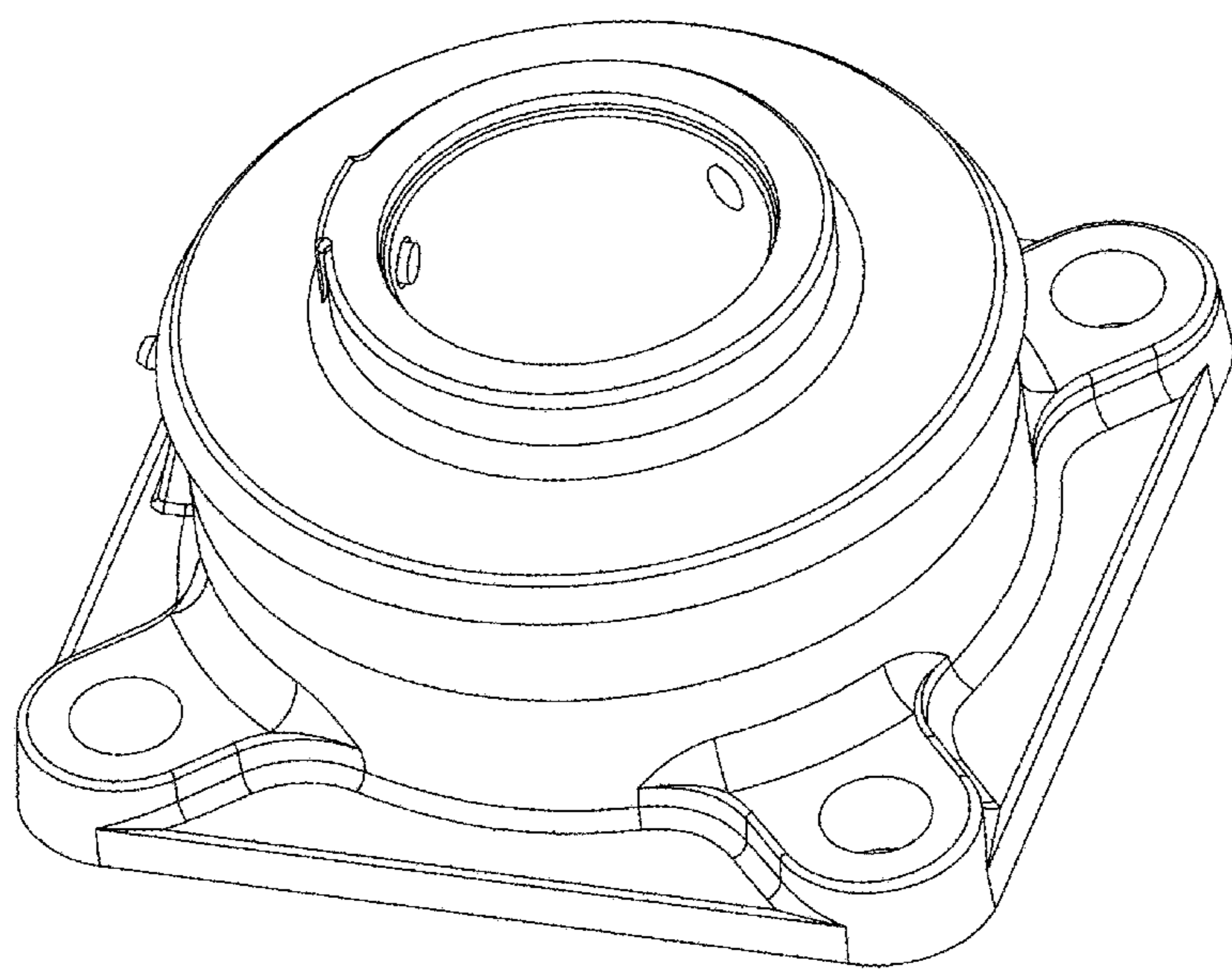
(Continued)

Primary Examiner — Steven J Czyz
(74) *Attorney, Agent, or Firm* — J-Tek Law PLLC; Scott T. Wakeman; Mark A. Ussai

(57) **CLAIM**
We claim the ornamental design for a housing for ball bearings, as shown and described.

DESCRIPTION
FIG. 1 is an isometric top, right view of a housing for ball bearings;
FIG. 2 is a right side elevation view thereof;
FIG. 3 is a front view thereof;
FIG. 4 is an isometric top right side section view thereof, wherein the view is taken along section line 4-4 of FIG. 3; and,
FIG. 5 is a right side section view thereof, wherein the view is taken along section line 4-4 of FIG. 3.
The broken lines depict portions of the article that form no part of the claimed design.

1 Claim, 5 Drawing Sheets



(56)

References Cited

U.S. PATENT DOCUMENTS

8,123,410 B2 *	2/2012	Masuda	F16C 33/7896	10,385,923 B2 *	8/2019	Falaschi	F16C 35/047
				384/448	D878,652 S *	3/2020	McRoberts	D26/59
8,164,227 B2 *	4/2012	Holopainen	H02K 5/1732	10,662,998 B2 *	5/2020	Zhong	F16C 19/06
				310/89	D894,367 S *	8/2020	Gebert	D23/411
8,388,230 B2 *	3/2013	Kulkarni	F16C 33/7886	D897,520 S *	9/2020	Gebert	D23/370
				384/477	10,781,861 B2 *	9/2020	Nakamura	F16C 19/187
8,482,173 B2 *	7/2013	Wright	F04D 15/0077	D898,182 S *	10/2020	Zhang	F16C 33/723
				310/88					D23/411
D693,392 S *	11/2013	Hall, Jr	D15/143	D900,980 S *	11/2020	Newcomb	D23/259
D722,561 S *	2/2015	Grillenberger	D13/122	11,016,113 B2 *	5/2021	Liverato	G01P 3/443
D737,406 S *	8/2015	Waggoner	D23/233	D921,882 S *	6/2021	O'Connell	D23/411
D762,574 S *	8/2016	Grillenberger	D13/112	11,035,413 B1 *	6/2021	Bauch	F16C 41/002
D780,901 S *	3/2017	Huang	D23/370	11,072,202 B2 *	7/2021	Bertoia	B60B 27/0068
D790,467 S *	6/2017	Marth	D13/112	11,078,965 B1 *	8/2021	Rybski	F16C 19/181
D832,993 S *	11/2018	Peia	D23/411	2004/0108849 A1 *	6/2004	Muramatsu	F16C 19/187
D835,039 S *	12/2018	Grillenberger	D13/112					324/174
10,190,636 B2 *	1/2019	Falaschi	F16C 33/723	2012/0230621 A1 *	9/2012	Inoue	F16C 41/007
D845,236 S *	4/2019	Grillenberger	D13/112					384/448
					2017/0001471 A1 *	1/2017	Fukuda	B29C 45/561
					2017/0037902 A1 *	2/2017	Sone	F16C 33/783

* cited by examiner

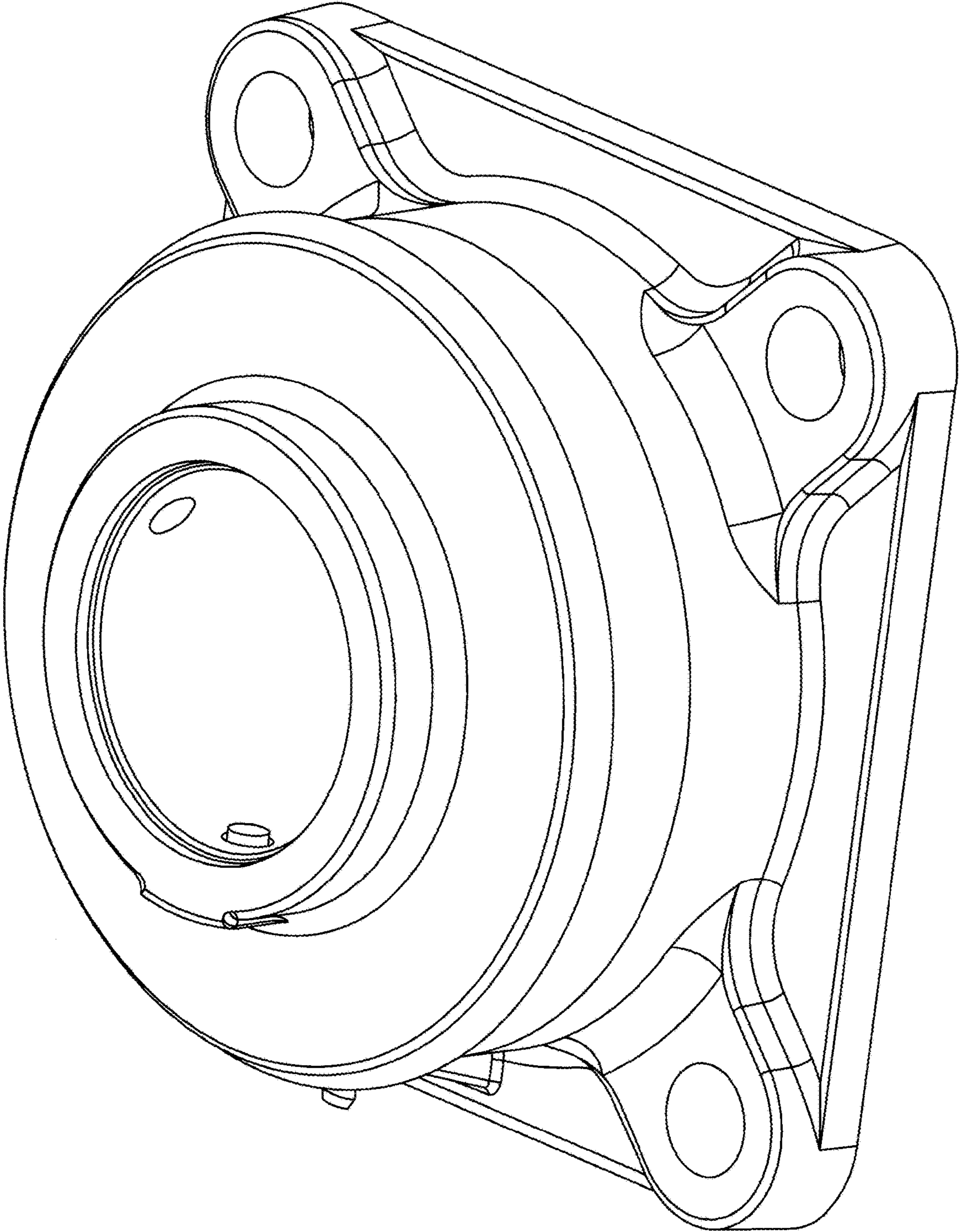


FIG.1

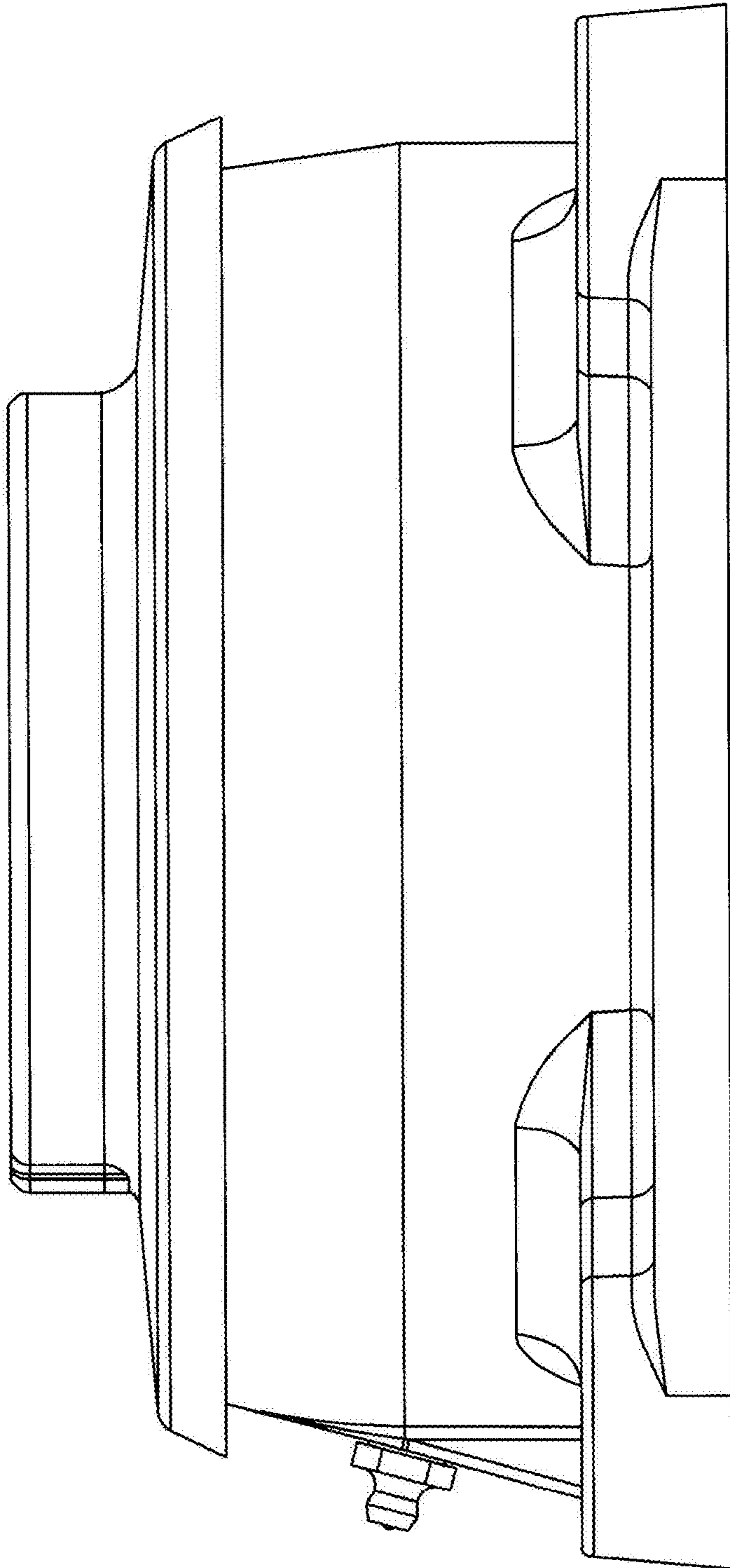


FIG.2

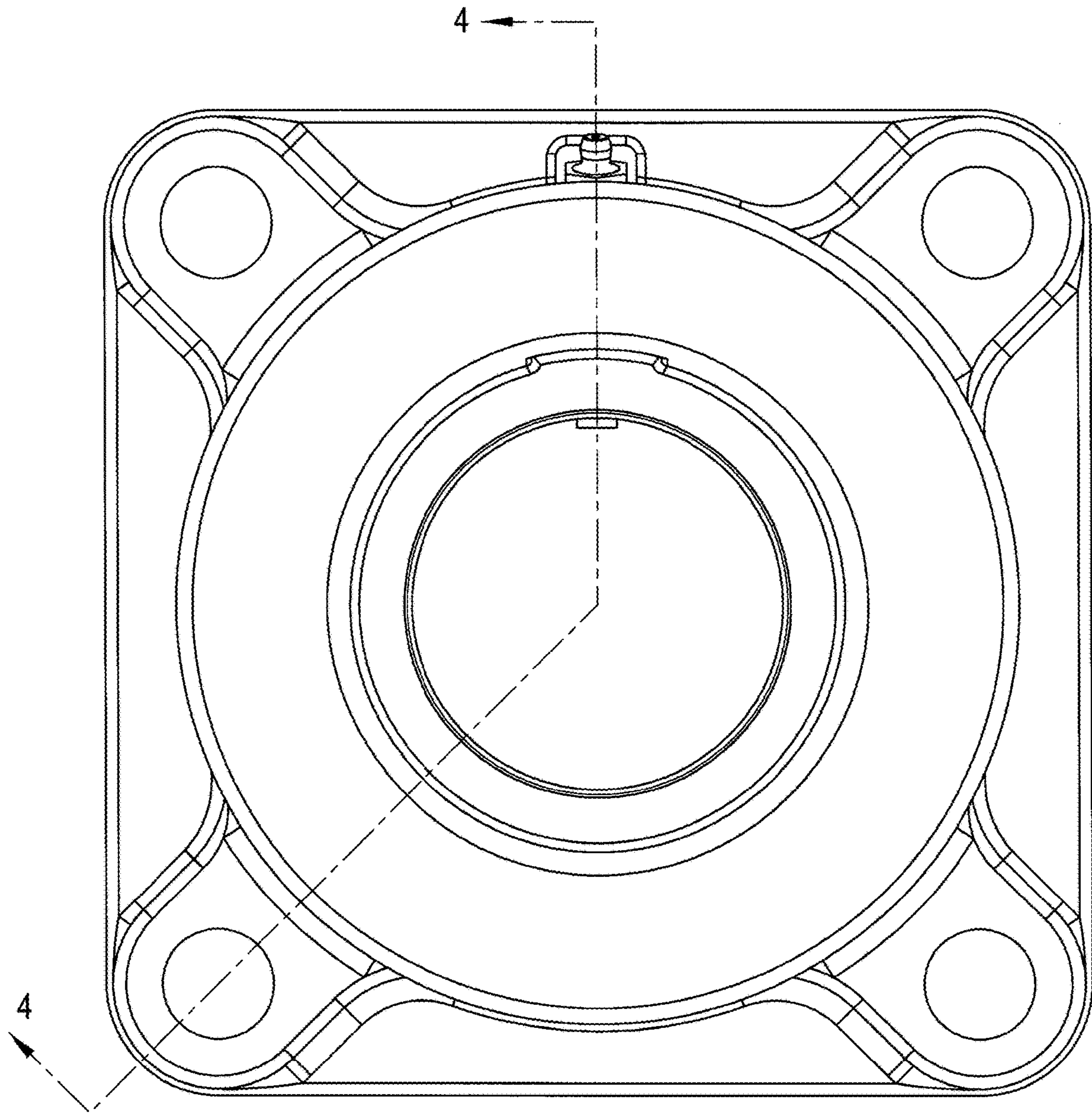


FIG.3

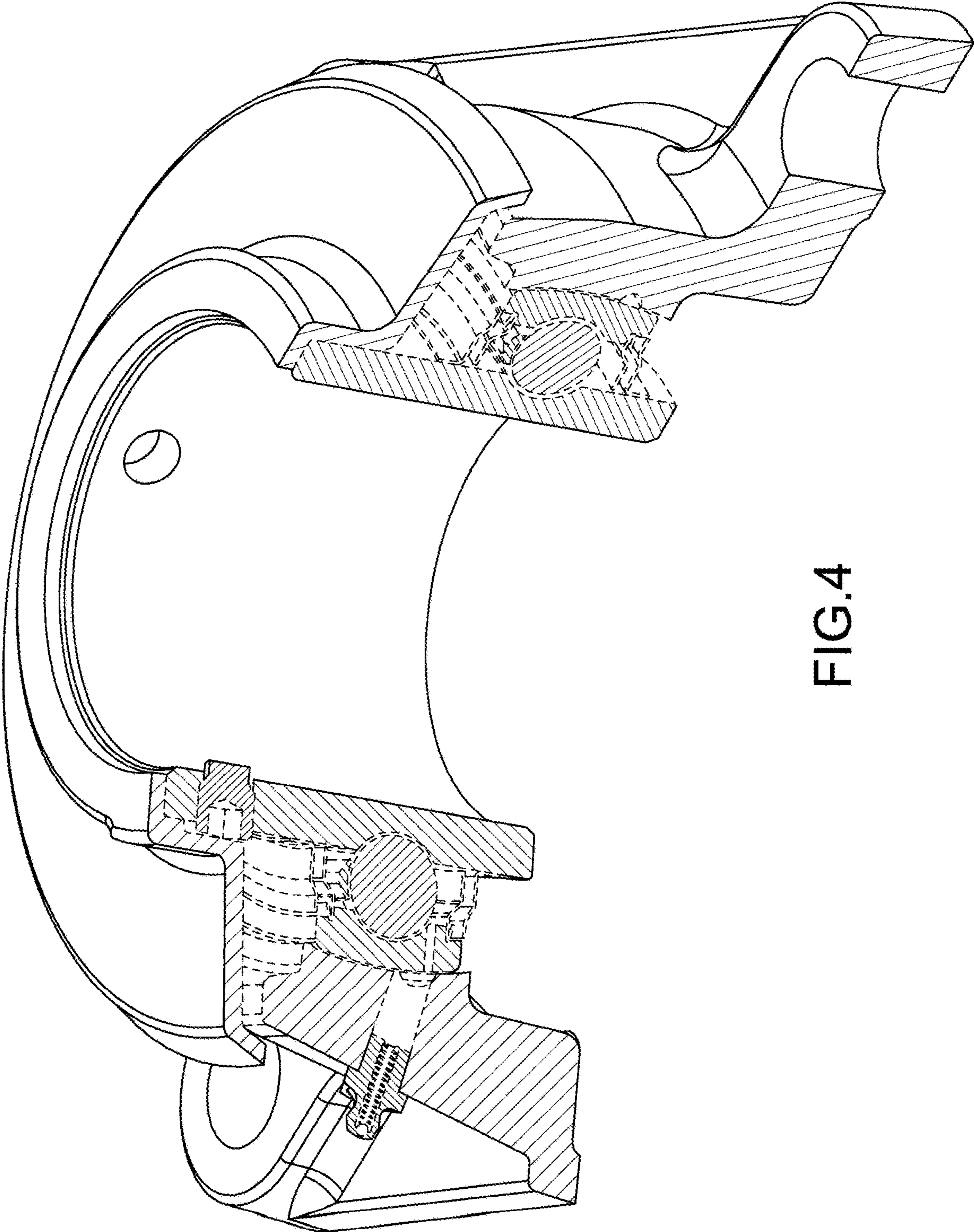


FIG.4

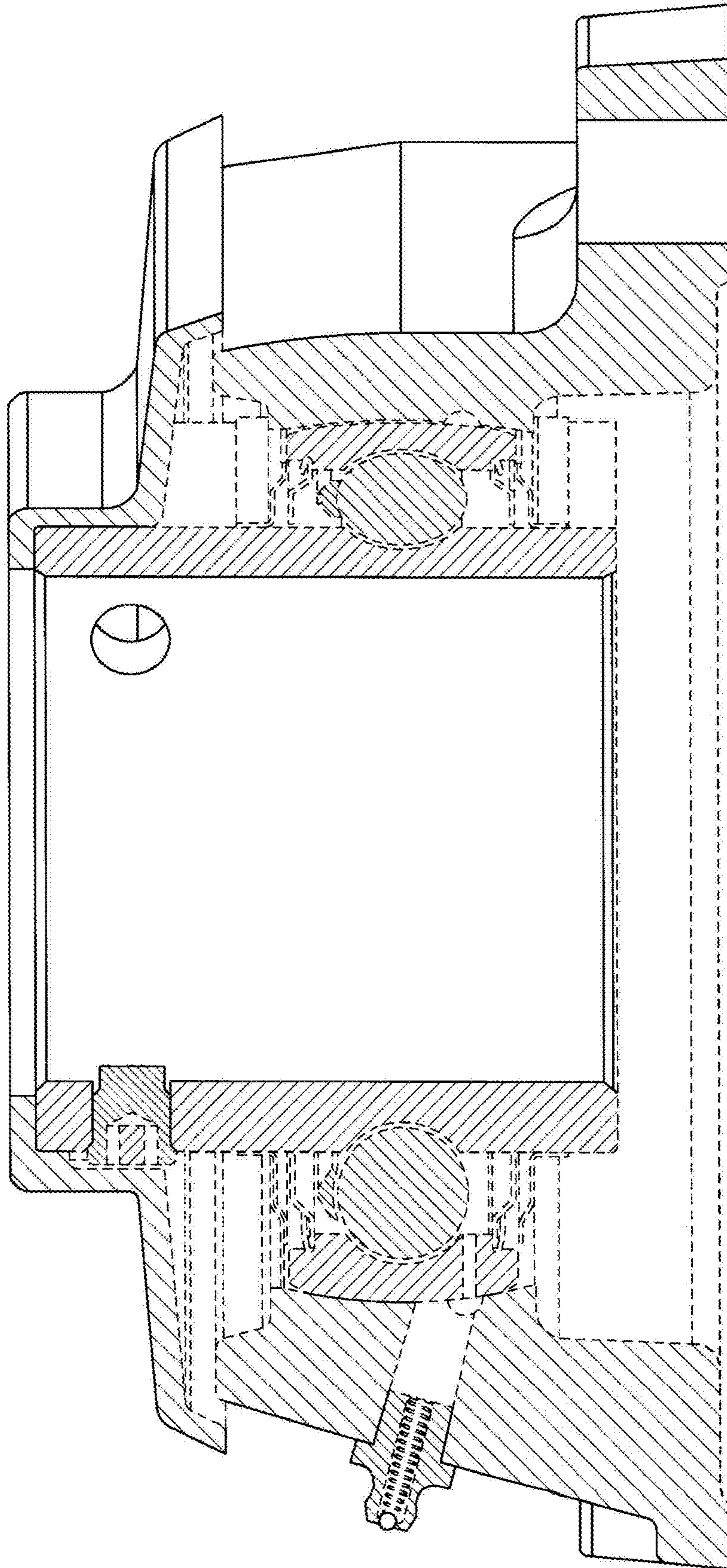


FIG.5