



US00D937330S

(12) **United States Design Patent**  
**Kukino et al.**

(10) **Patent No.:** **US D937,330 S**

(45) **Date of Patent:** **\*\* Nov. 30, 2021**

(54) **CUTTING TOOL**

(71) Applicant: **SUMITOMO ELECTRIC  
HARDMETAL CORP.,** Itami (JP)

(72) Inventors: **Satoru Kukino,** Itami (JP); **Takashi  
Harada,** Itami (JP); **Naoki Watanobe,**  
Itami (JP)

(73) Assignee: **SUMITOMO ELECTRIC  
HARDMETAL CORP.,** Itami (JP)

(\*\*) Term: **15 Years**

(21) Appl. No.: **29/713,429**

(22) Filed: **Nov. 15, 2019**

(30) **Foreign Application Priority Data**

May 21, 2019 (JP) ..... 2019-011018

May 21, 2019 (JP) ..... 2019-011019

(51) **LOC (13) Cl.** ..... **15-09**

(52) **U.S. Cl.**  
USPC ..... **D15/139; D8/70**

(58) **Field of Classification Search**

USPC ..... D7/409, 412; D8/20, 70, 95, 98, 99;  
D15/126, 133, 138, 139, 140

CPC ..... B21D 17/04; B23D 45/044; B23B 5/162;  
B23B 5/163; B23K 7/006; B24D 7/06;  
B24D 7/12

See application file for complete search history.

(56) **References Cited**

**U.S. PATENT DOCUMENTS**

D342,745 S \* 12/1993 Nastren ..... D15/126  
D397,012 S \* 8/1998 Hariu ..... D15/139  
D401,829 S \* 12/1998 Hariu ..... D8/70  
D421,029 S \* 2/2000 Cha ..... D15/139  
D426,560 S \* 6/2000 Texler ..... D15/139  
D436,820 S \* 1/2001 Suzuki ..... D15/139  
D437,540 S \* 2/2001 Suzuki ..... D15/139

D451,110 S \* 11/2001 Lira-Nunez ..... D15/139  
D451,111 S \* 11/2001 Lira-Nunez ..... D15/139  
D453,670 S \* 2/2002 Levinson ..... D15/139

(Continued)

*Primary Examiner* — Michael C Stout

*Assistant Examiner* — Fritzgerald L Butac

(74) *Attorney, Agent, or Firm* — Faegre Drinker Biddle &  
Reath LLP

(57) **CLAIM**

The ornamental design for a cutting tool, as shown and  
described.

**DESCRIPTION**

FIG. 1 is a front view of a cutting tool in accordance with  
Embodiment 1 of the present design;

FIG. 2 is a rear view thereof;

FIG. 3 is a right side view thereof;

FIG. 4 is a left side view thereof;

FIG. 5 is a top view thereof;

FIG. 6 is a bottom view thereof;

FIG. 7 is a first perspective view thereof;

FIG. 8 is a second perspective view thereof;

FIG. 9 shows Embodiment 1 of the cutting tool in an  
environment of use thereof;

FIG. 10 is a front view of a cutting tool in accordance with  
Embodiment 2 of the present design;

FIG. 11 is a rear view thereof;

FIG. 12 is a right side view thereof;

FIG. 13 is a left side view thereof;

FIG. 14 is a top view thereof;

FIG. 15 is a bottom view thereof;

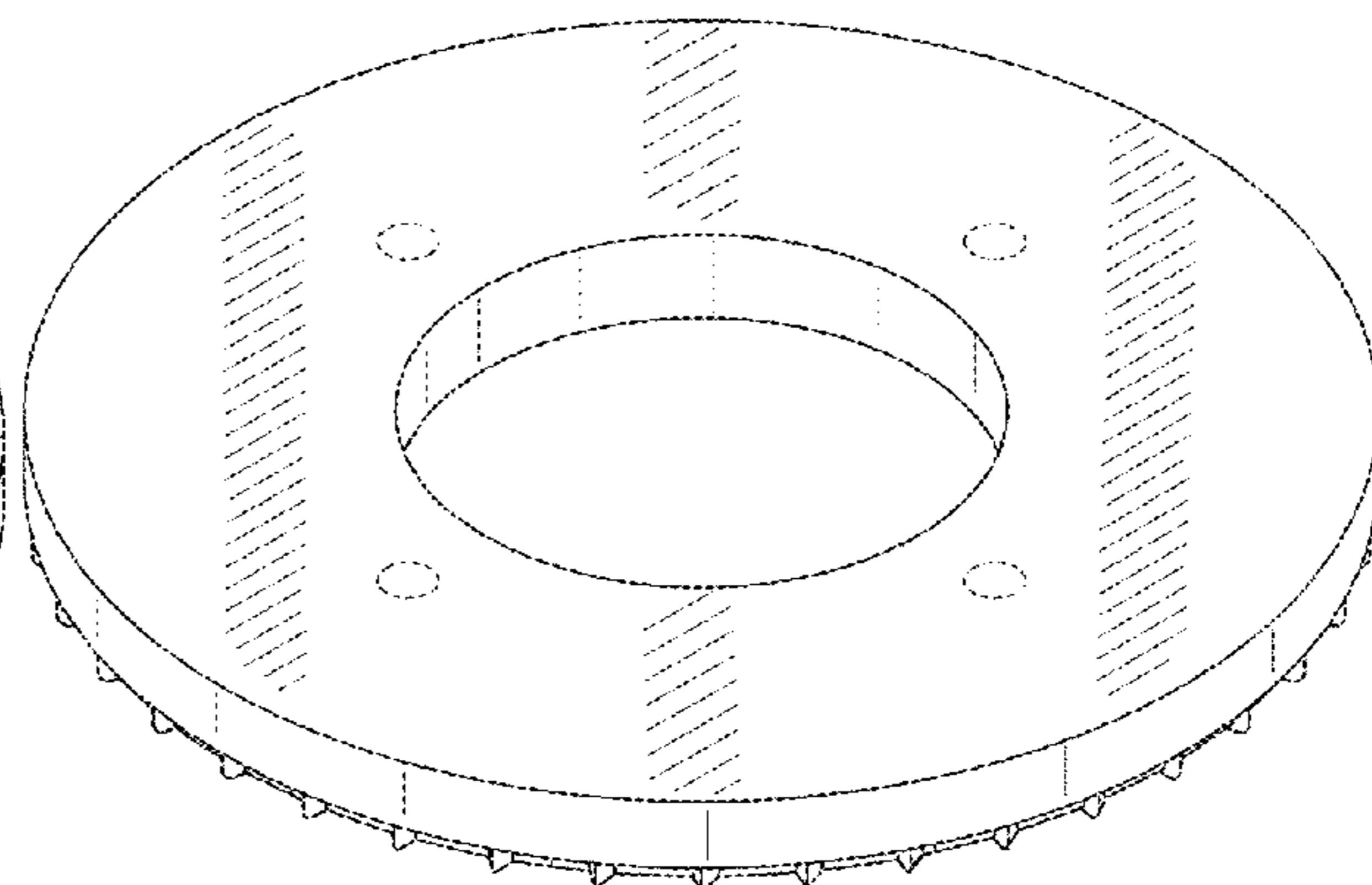
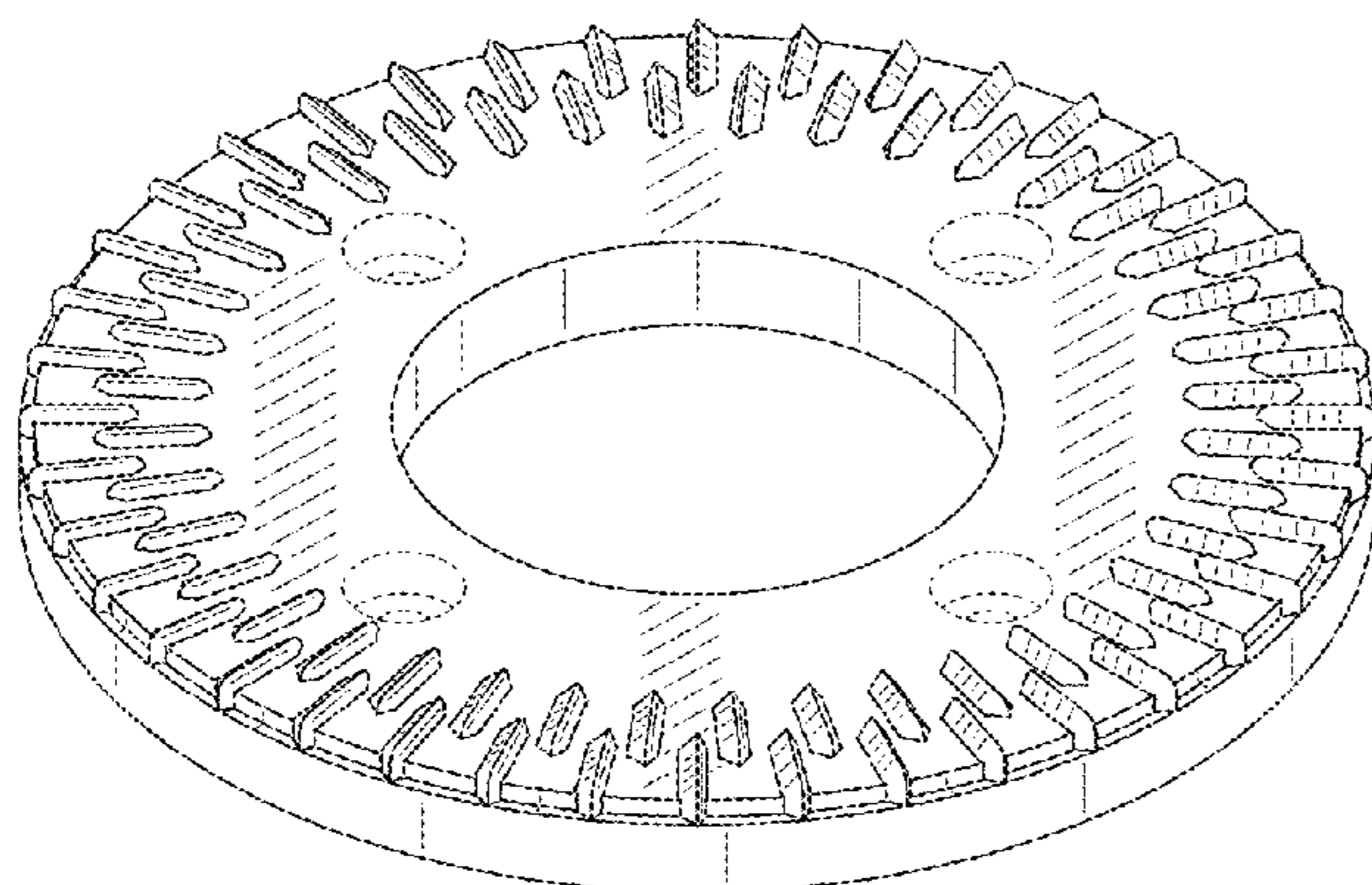
FIG. 16 is a first perspective view thereof;

FIG. 17 is a second perspective view thereof; and,

FIG. 18 shows Embodiment 2 of the cutting tool in an  
environment of use thereof.

The broken lines shown in FIGS. 9 and 18 are for the  
purpose of showing environmental structure, and form no  
part of the claimed design.

**1 Claim, 9 Drawing Sheets**



(56)

**References Cited**

U.S. PATENT DOCUMENTS

D455,625	S	*	4/2002	Levinson	.....	D15/139
D694,790	S	*	12/2013	Matsumoto	.....	D15/144
D694,791	S	*	12/2013	Matsumoto	.....	D15/144
D695,325	S	*	12/2013	Becker	.....	D15/139
D702,269	S	*	4/2014	Eisenblatter	.....	D15/126
D708,237	S	*	7/2014	Matsubara	.....	D15/139
D710,411	S	*	8/2014	Matsubara	.....	D15/139
D716,856	S	*	11/2014	Brandstetter	.....	D15/126
D748,695	S	*	2/2016	Norton	.....	D15/126
D760,307	S	*	6/2016	Koike	.....	D15/139
D849,807	S	*	5/2019	King	.....	D15/139
D865,823	S	*	11/2019	Abe	.....	D15/139
D893,277	S	*	8/2020	Epstein	.....	D8/70
10,807,173	B2	*	10/2020	Kinoshita	.....	B23C 5/2204
D900,760	S	*	11/2020	Kouzuma	.....	D13/184
D904,473	S	*	12/2020	King	.....	D15/139
D904,474	S	*	12/2020	King	.....	D15/139
D918,654	S	*	5/2021	Anthony	.....	D7/409

\* cited by examiner

FIG. 1

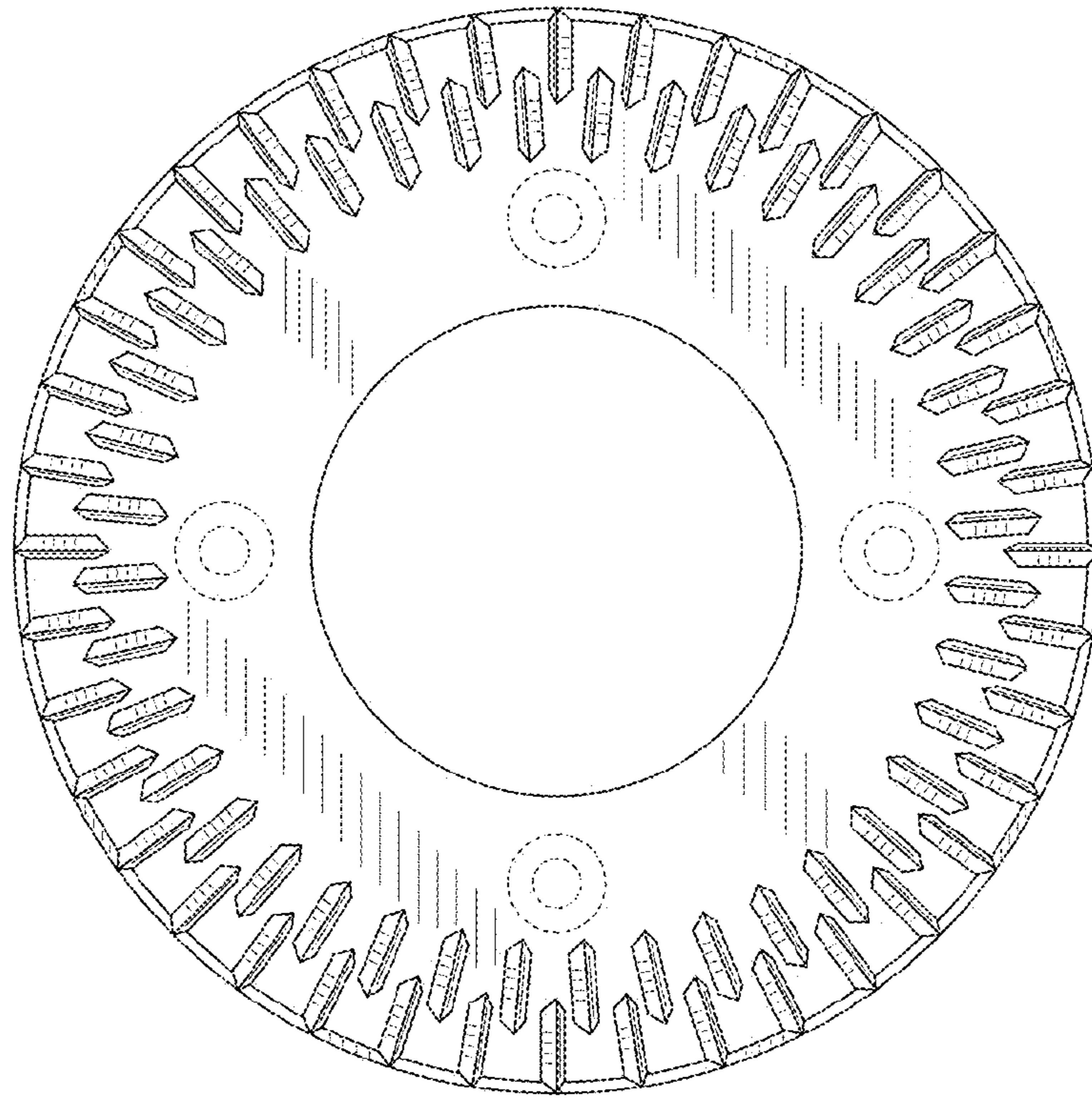


FIG. 2

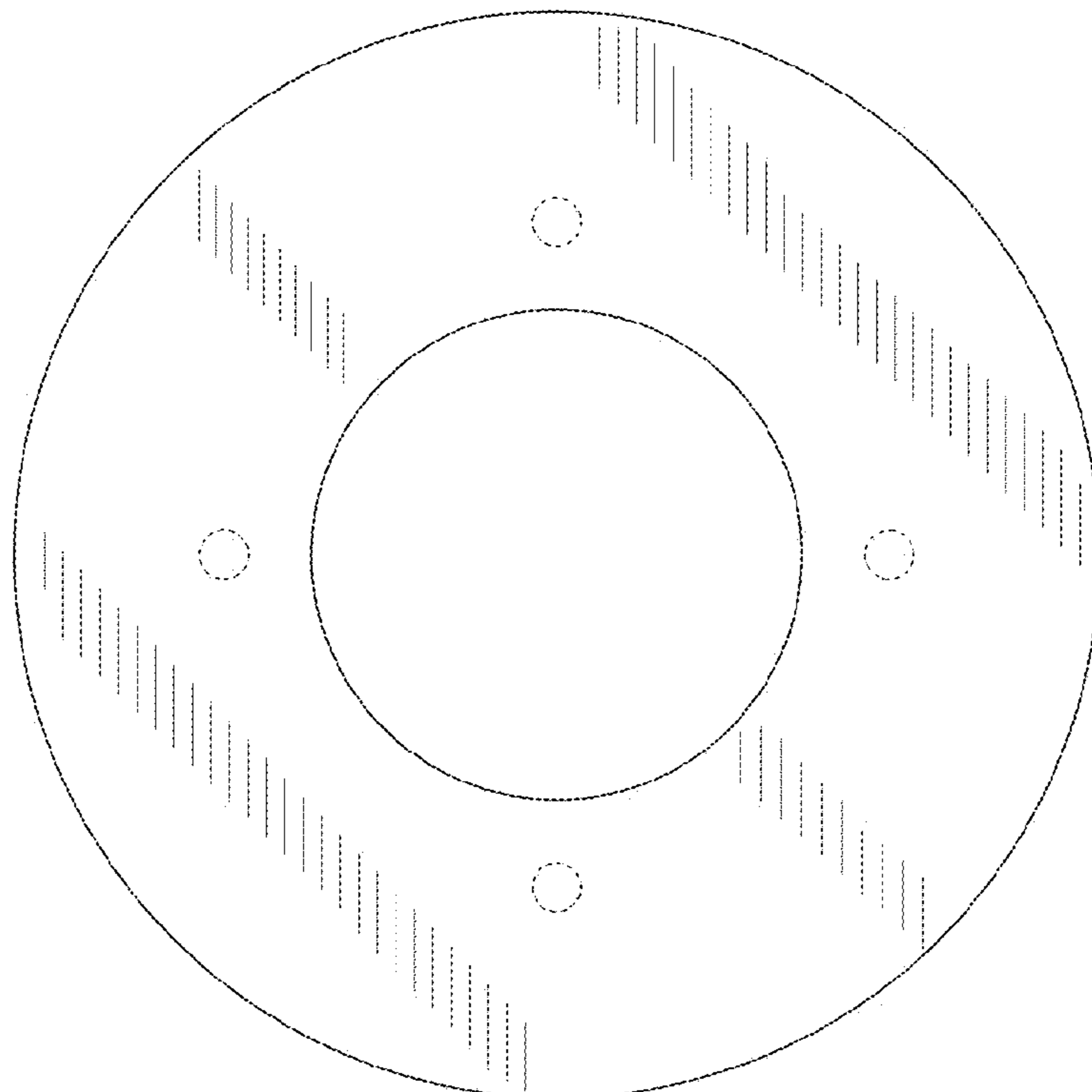


FIG.3

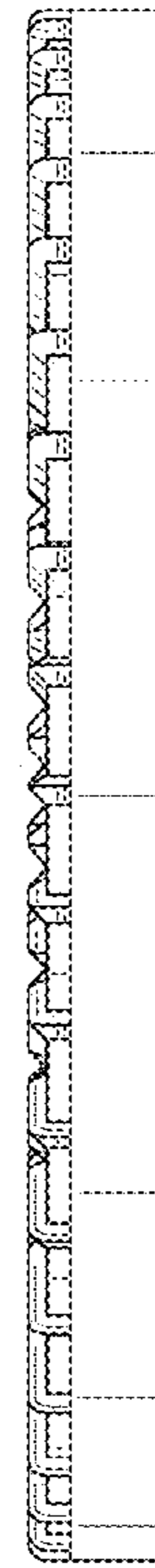


FIG.4

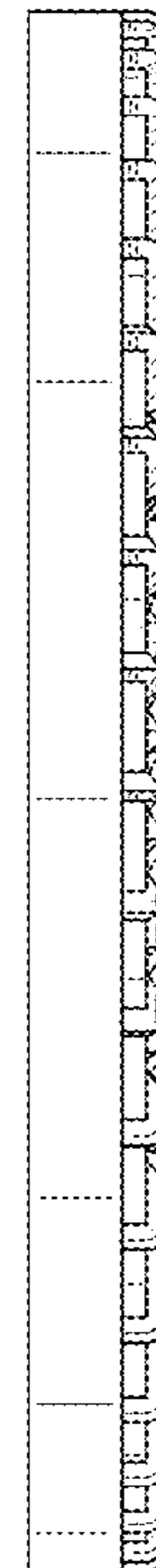


FIG.5

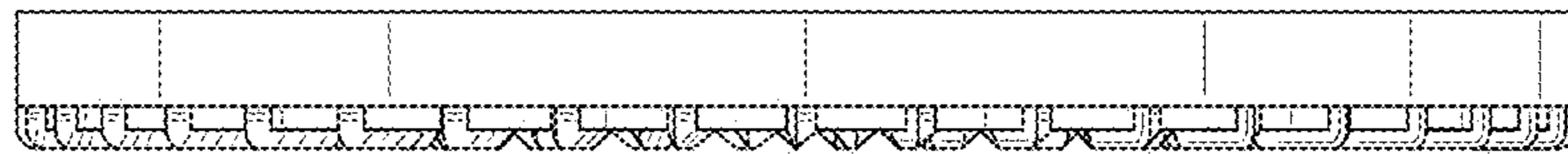


FIG.6



FIG.7

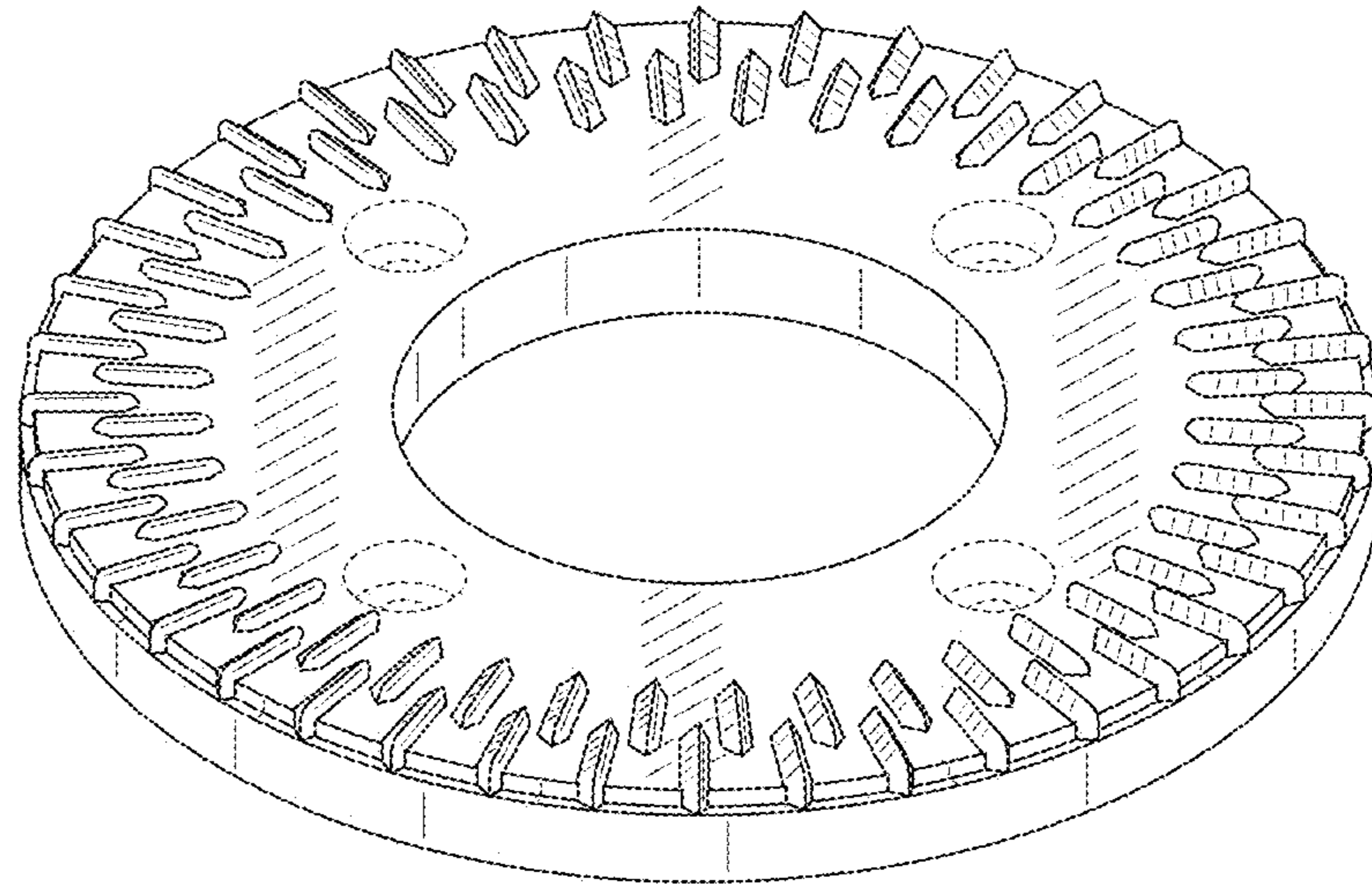


FIG.8

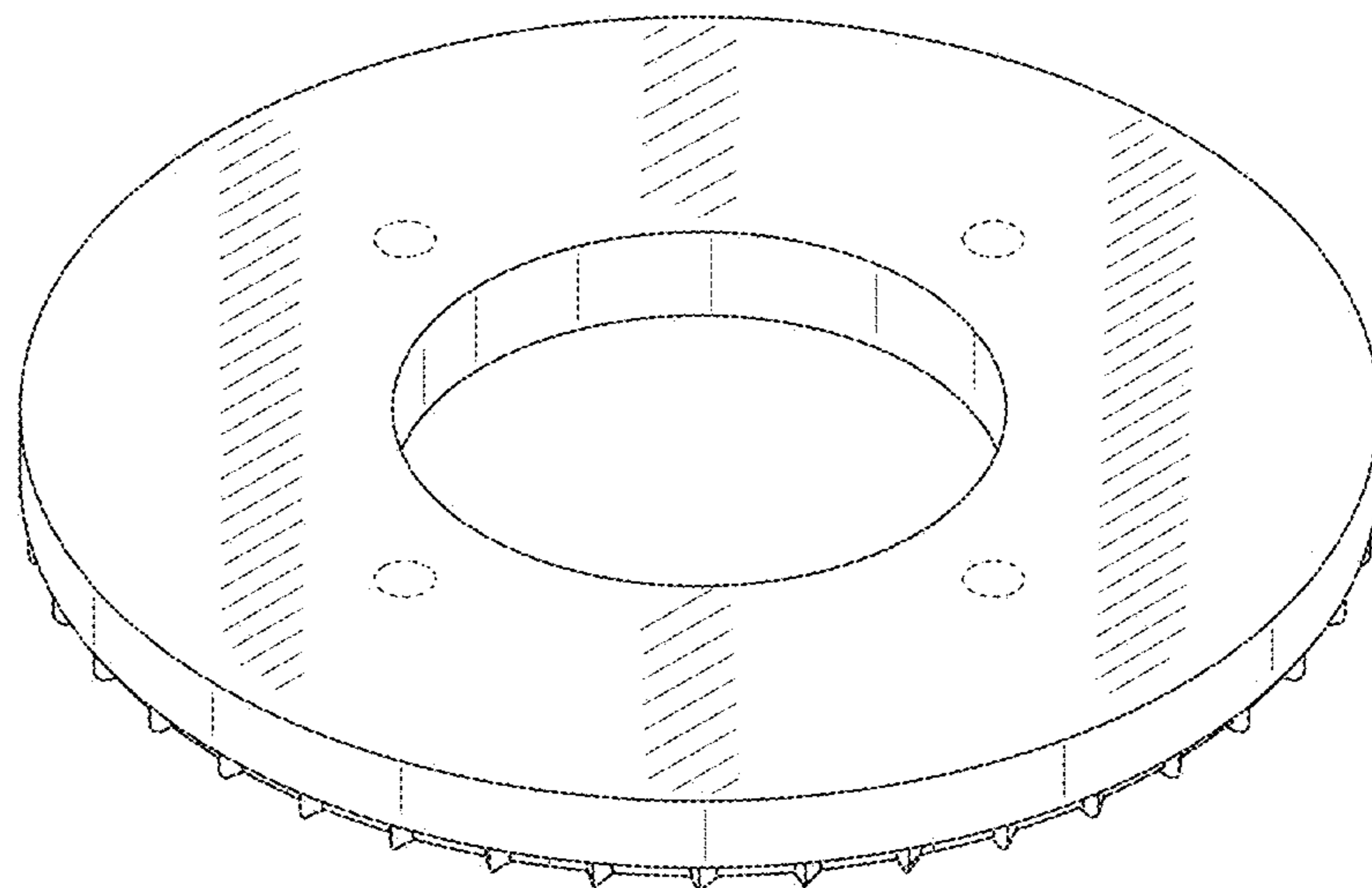


FIG.9

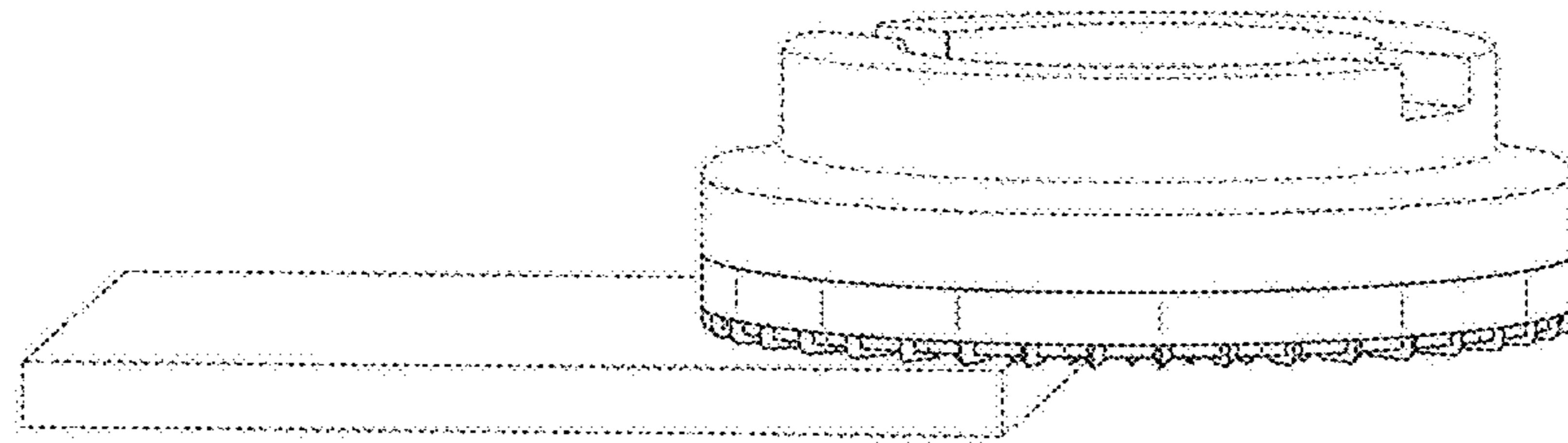


FIG.10

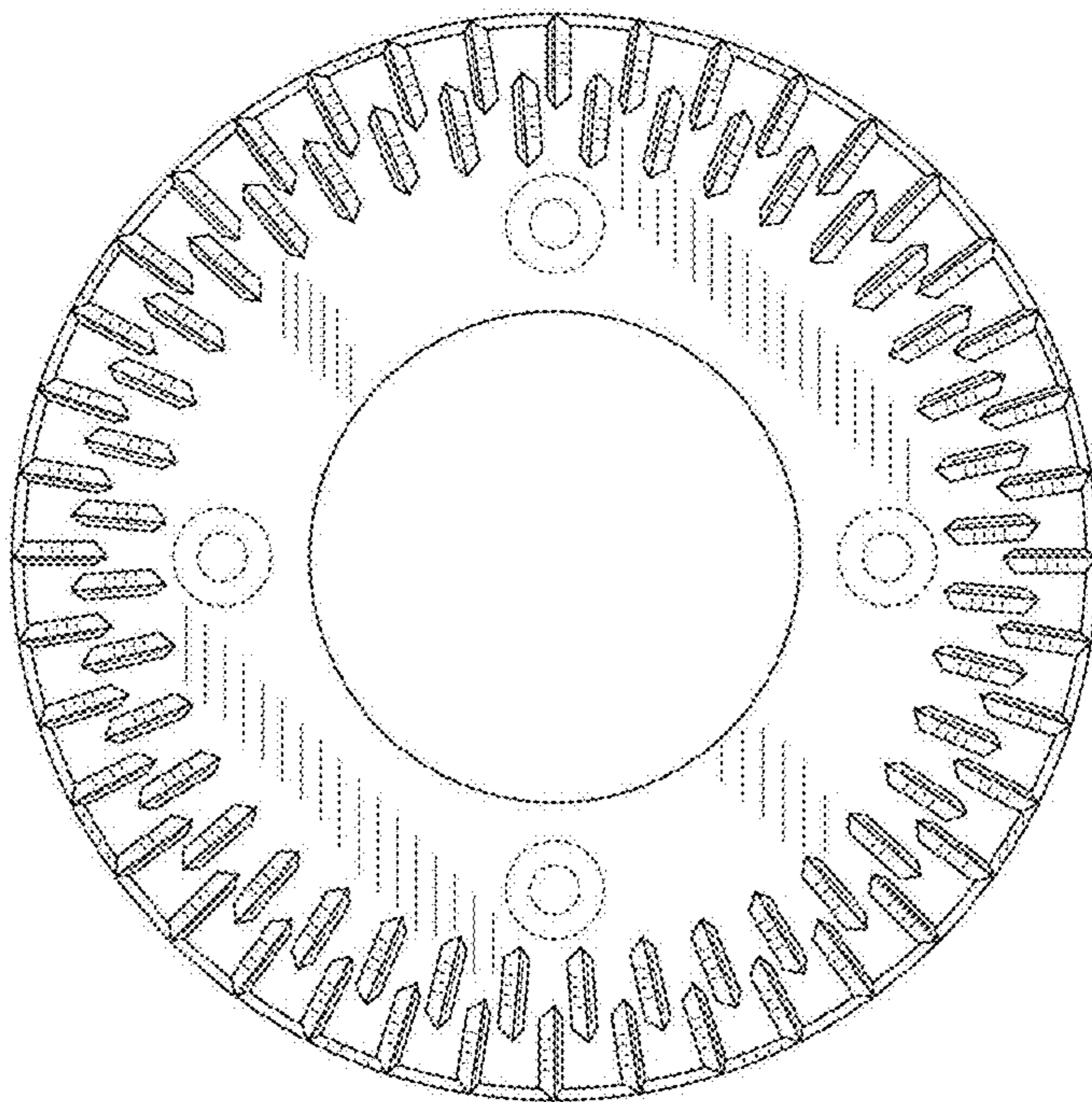


FIG. 11

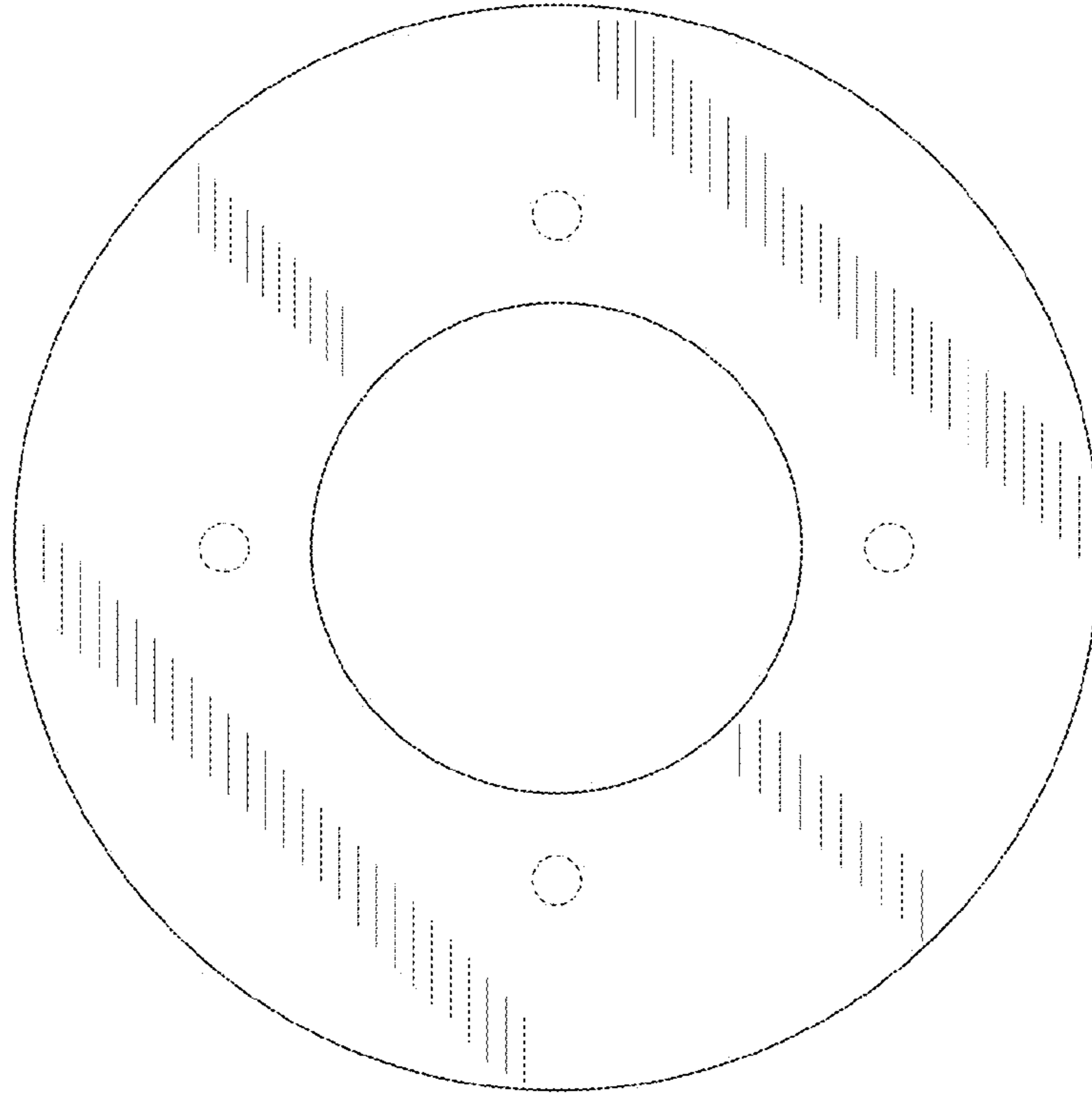


FIG. 12

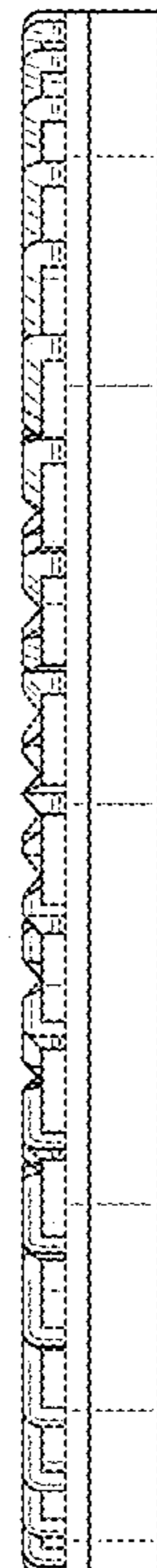




FIG. 13

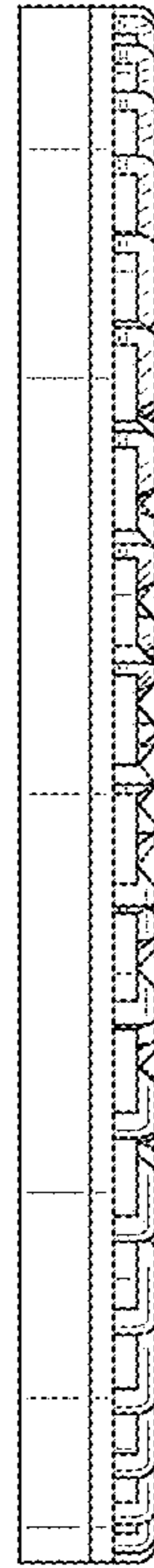


FIG. 14



FIG.15



FIG.16

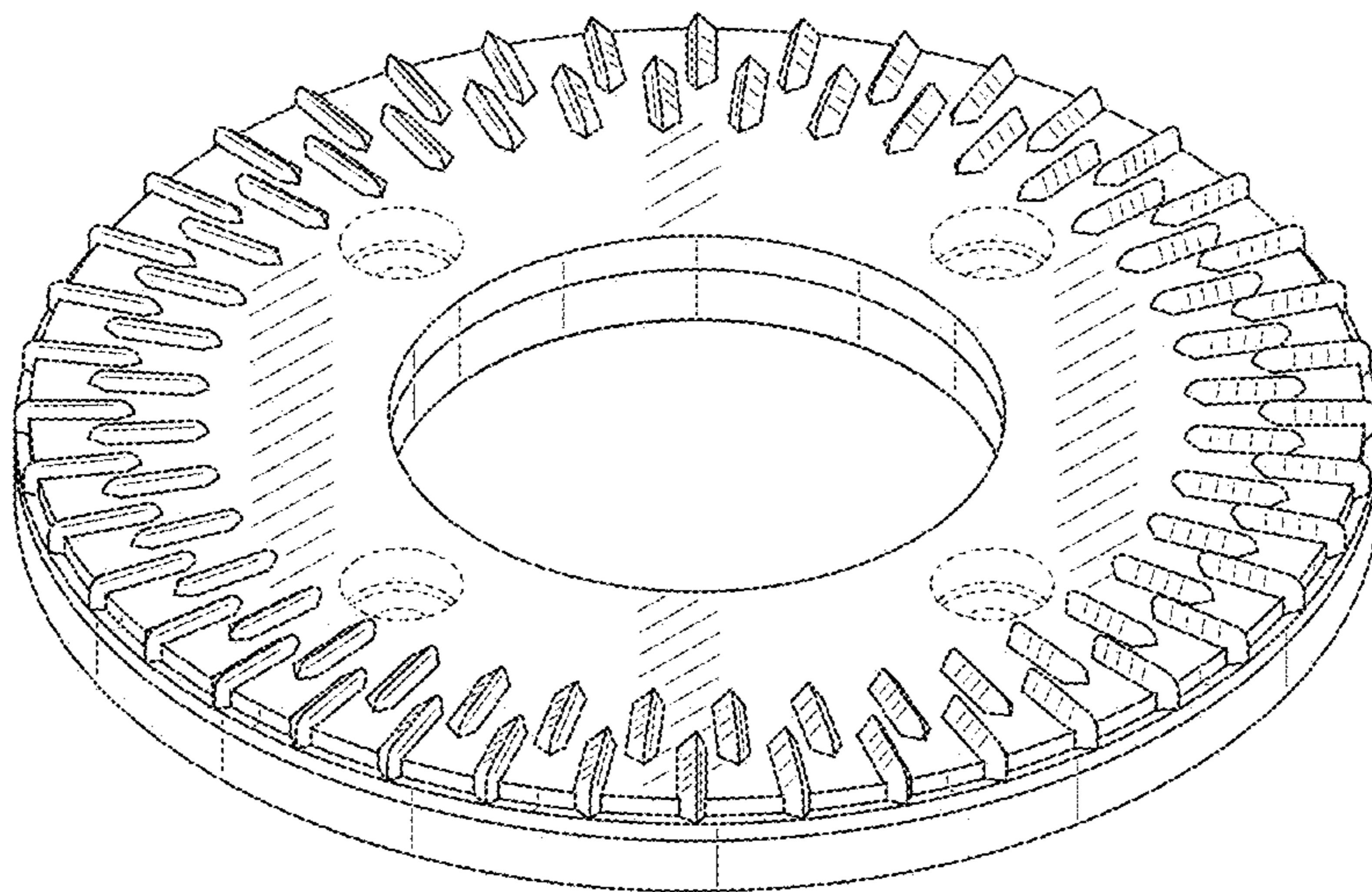


FIG.17

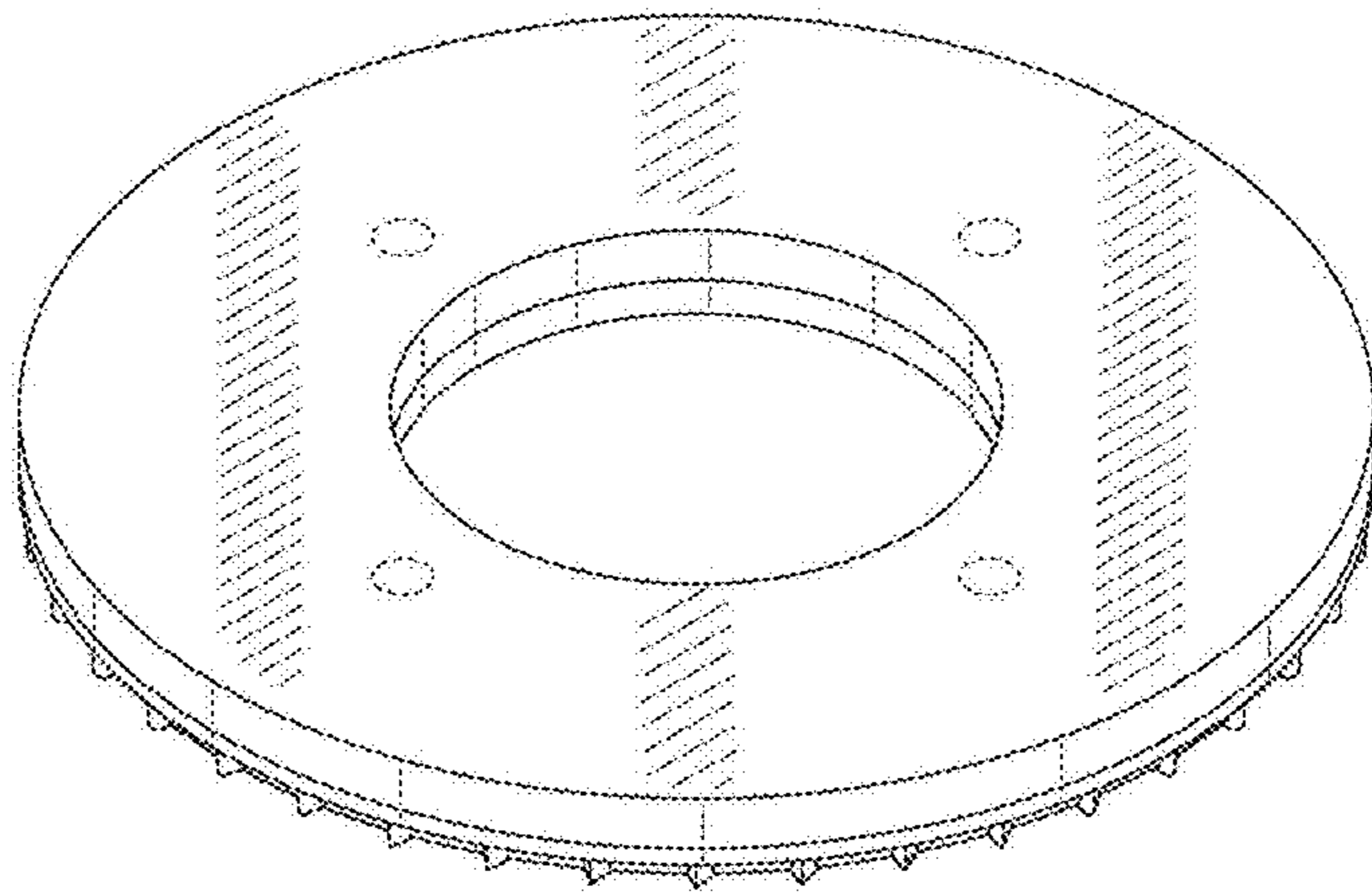


FIG.18

