



US00D937328S

(12) **United States Design Patent**  
**Tang**

(10) **Patent No.:** **US D937,328 S**

(45) **Date of Patent:** **\*\* Nov. 30, 2021**

(54) **PORTABLE REFRIGERATOR**

(71) Applicant: **ACOSOLAR INC.**, Walnut, CA (US)

(72) Inventor: **Longhua Tang**, Walnut, CA (US)

(\*\*) Term: **15 Years**

(21) Appl. No.: **29/706,060**

(22) Filed: **Sep. 17, 2019**

(51) **LOC (13) Cl.** ..... **15-07**

(52) **U.S. Cl.**  
USPC ..... **D15/79**

(58) **Field of Classification Search**  
USPC ..... D15/79-91; D7/603-608; D3/272-274  
CPC ..... F25D 17/02; F25D 11/003; F25D 19/003;  
F25D 19/02; F25D 21/04; F25D 2201/14;  
F25D 2331/803; F25D 2331/805; F25D  
23/006; F25D 23/028; F25D 23/065;  
F25D 23/066; F25D 23/085; F25D  
2400/20; F25D 2400/28; F25D 2400/38;  
F25D 2700/16; F25D 29/00; F25D  
29/003; F25D 29/005; F25D 31/006;  
F25D 31/007

See application file for complete search history.

(56) **References Cited**

**U.S. PATENT DOCUMENTS**

D527,225 S \* 8/2006 Krieger ..... D7/605  
D792,486 S \* 7/2017 Li ..... D15/81  
D830,429 S \* 10/2018 Brown ..... D15/79  
D848,364 S \* 5/2019 Tang ..... D13/103  
D851,138 S \* 6/2019 Murabayashi ..... D15/81

10,641,538 B1 \* 5/2020 Tang ..... F25D 23/06  
D891,365 S \* 7/2020 Yang ..... D13/107  
D906,377 S \* 12/2020 Tang ..... D15/79  
D922,454 S \* 6/2021 Tang ..... D15/79  
2007/0193297 A1 \* 8/2007 Wilson ..... F25D 29/00  
62/371  
2009/0158770 A1 \* 6/2009 Cohrs ..... F25D 23/12  
62/457.9  
2021/0018250 A1 \* 1/2021 Tang ..... F25B 27/00

\* cited by examiner

*Primary Examiner* — Khawaja Anwar

(74) *Attorney, Agent, or Firm* — Tsz Lung Yeung

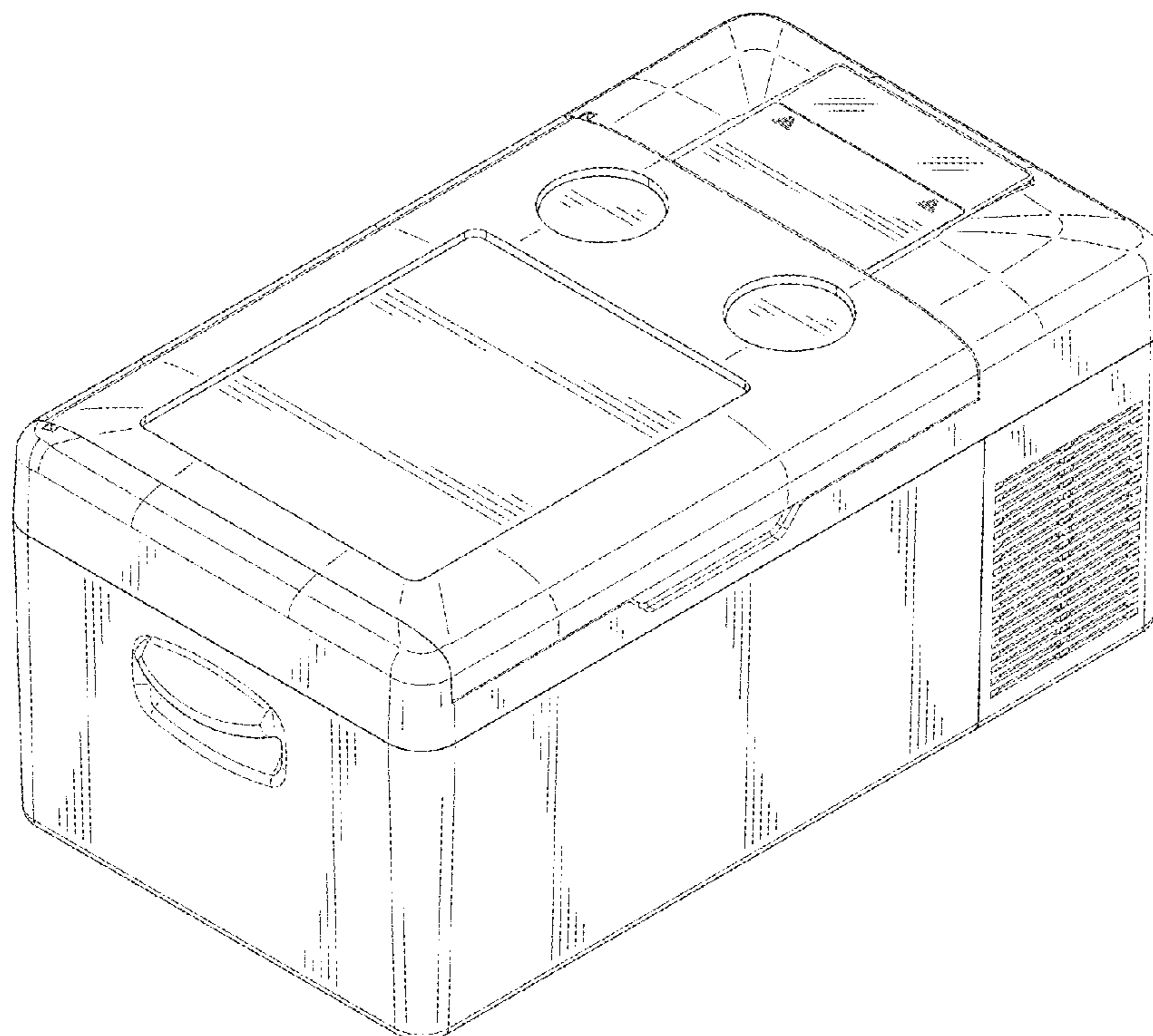
(57) **CLAIM**

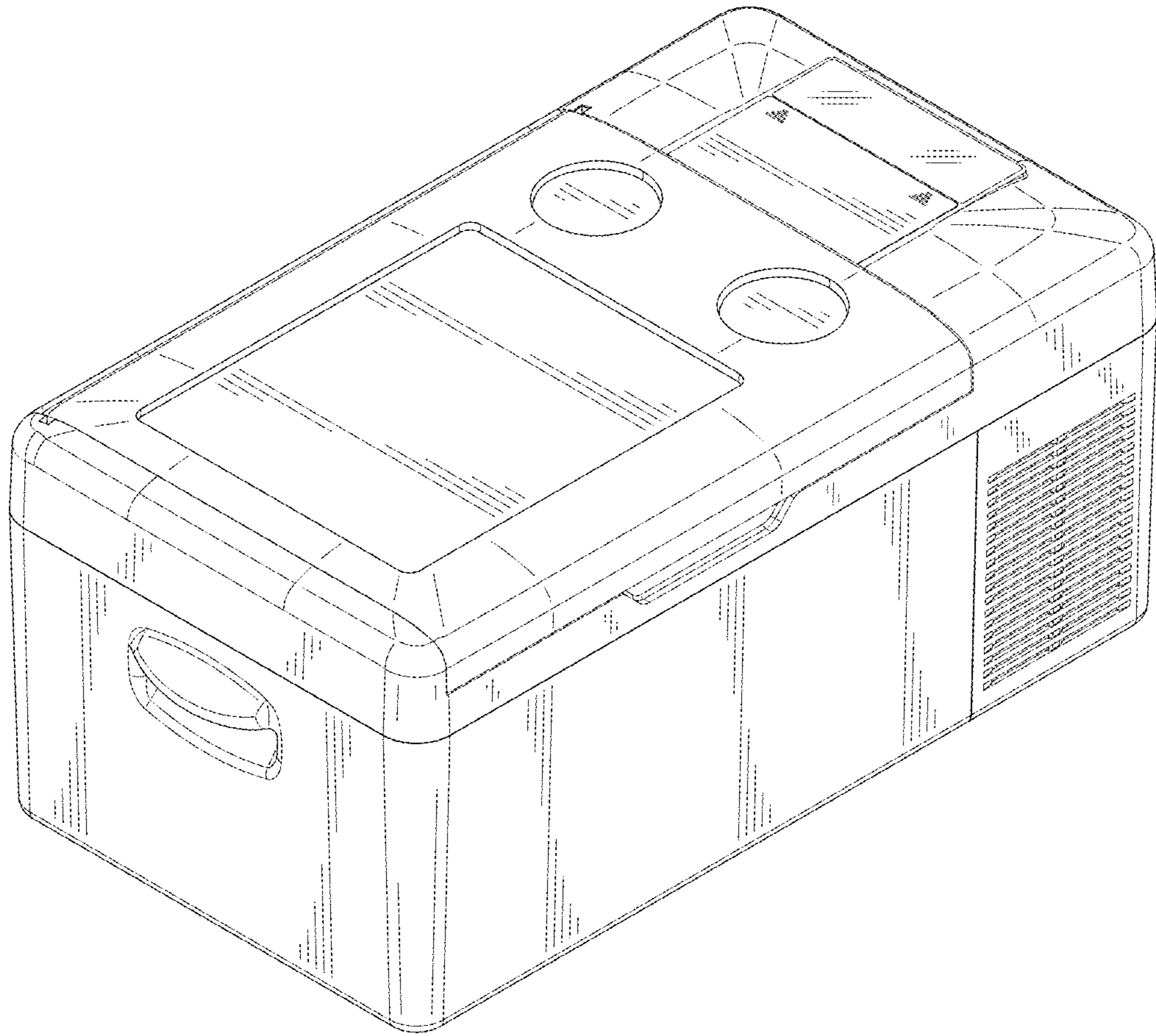
The ornamental design for a portable refrigerator, as shown and described.

**DESCRIPTION**

FIG. 1 is a perspective view of a portable refrigerator showing my new design;  
FIG. 2 is a front view thereof;  
FIG. 3 is a rear view thereof;  
FIG. 4 is a left side view thereof;  
FIG. 5 is a right side view thereof;  
FIG. 6 is a top view thereof;  
FIG. 7 is a bottom view thereof; and,  
FIG. 8 is a rear perspective view thereof.  
The broken lines depict portions of the portable refrigerator that form no part of the claimed design.

**1 Claim, 8 Drawing Sheets**





*FIG. 1*

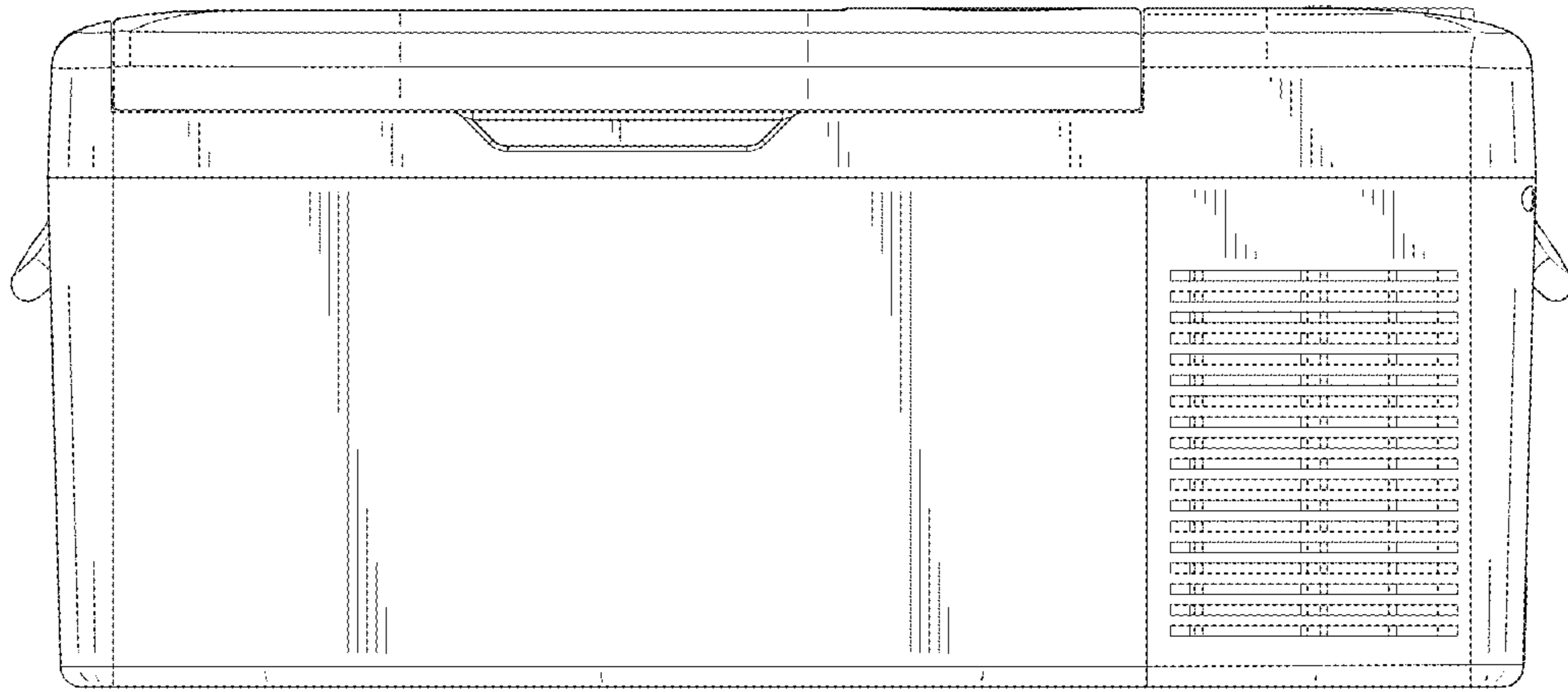


FIG. 2

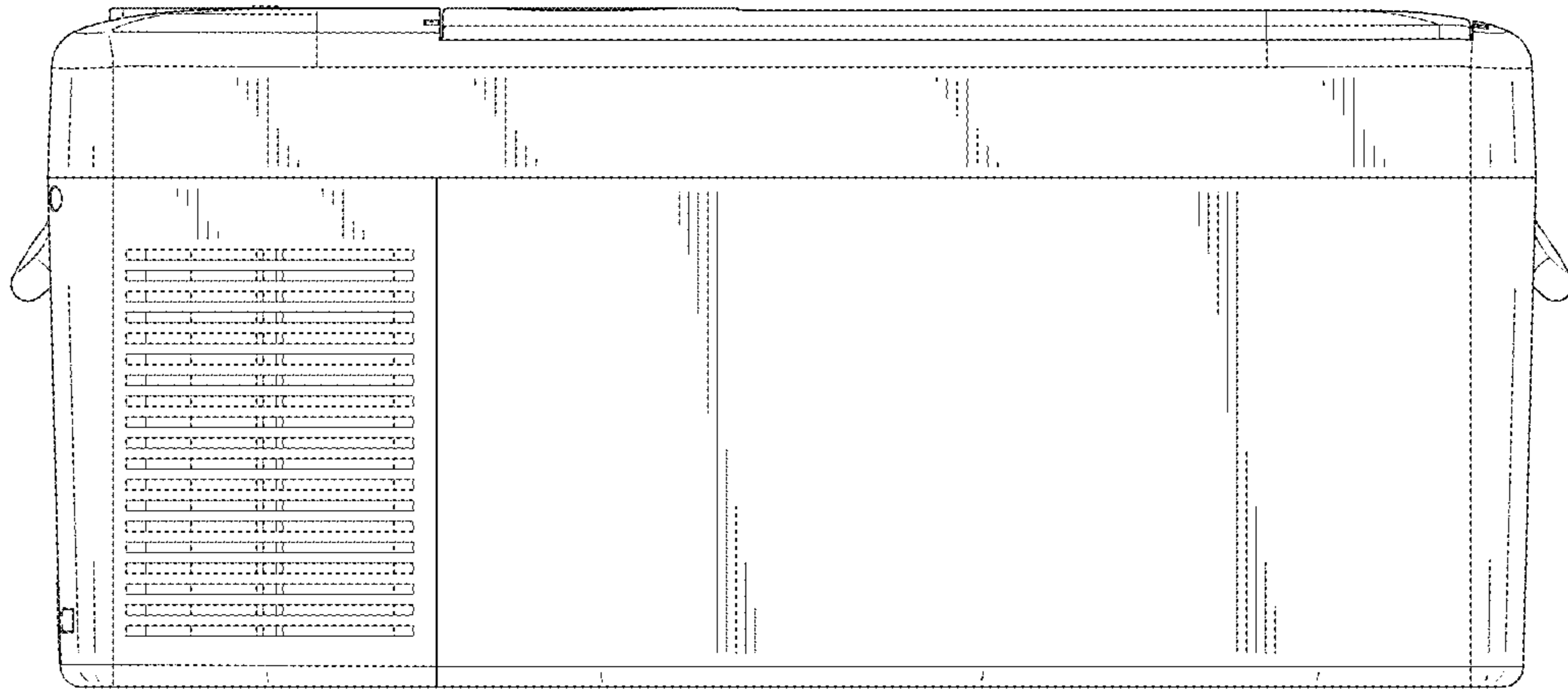
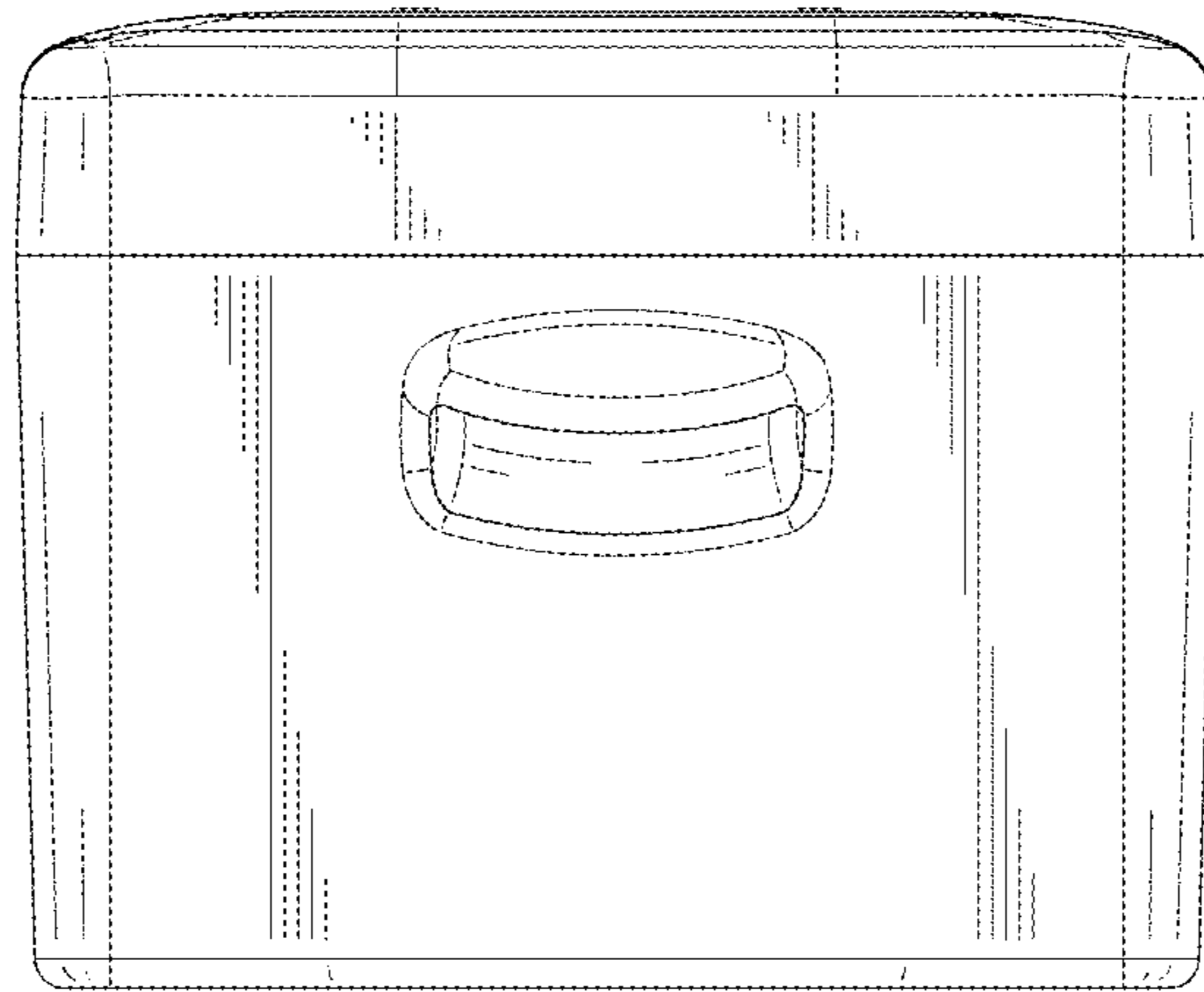


FIG. 3



*FIG. 4*

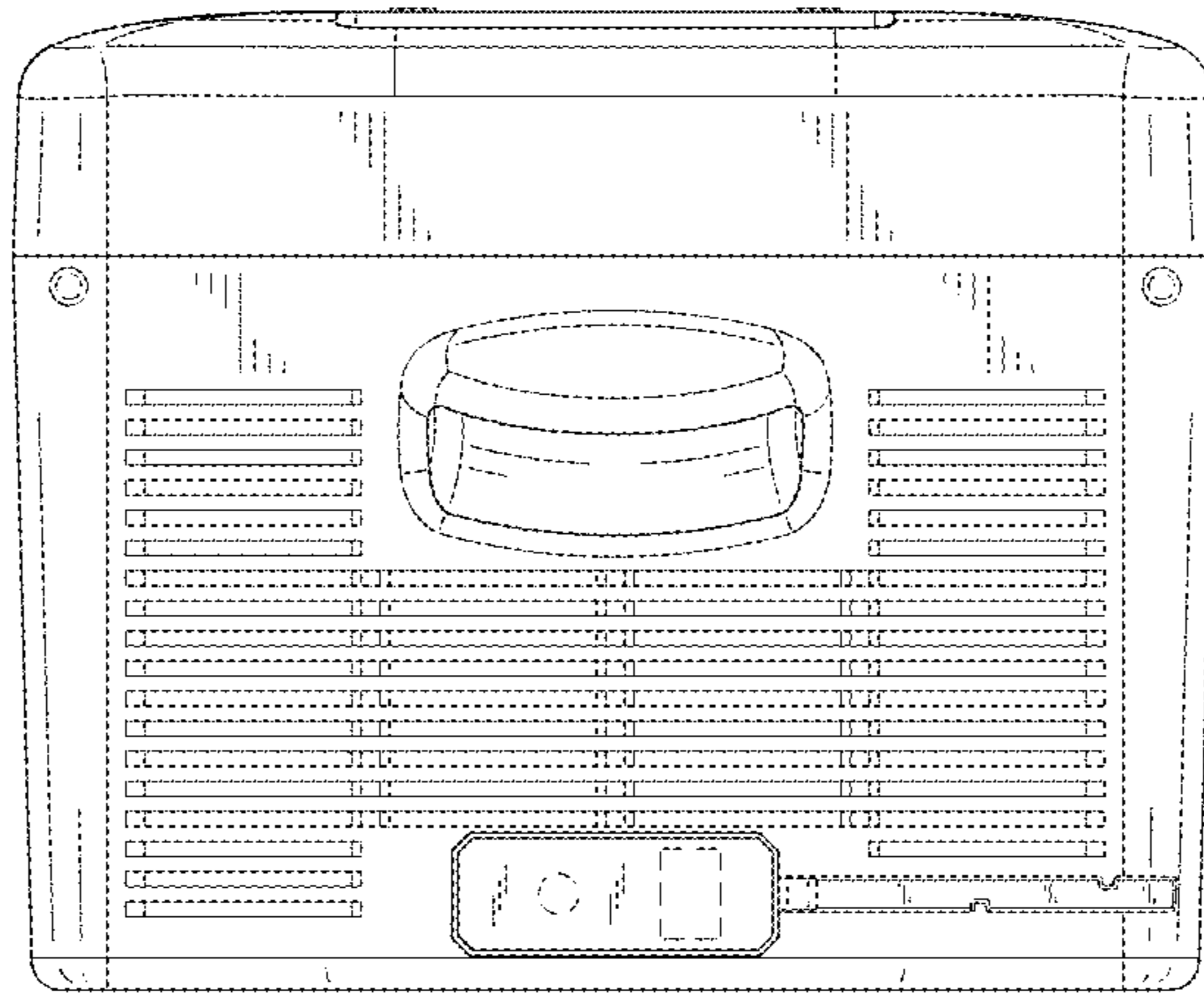


FIG. 5

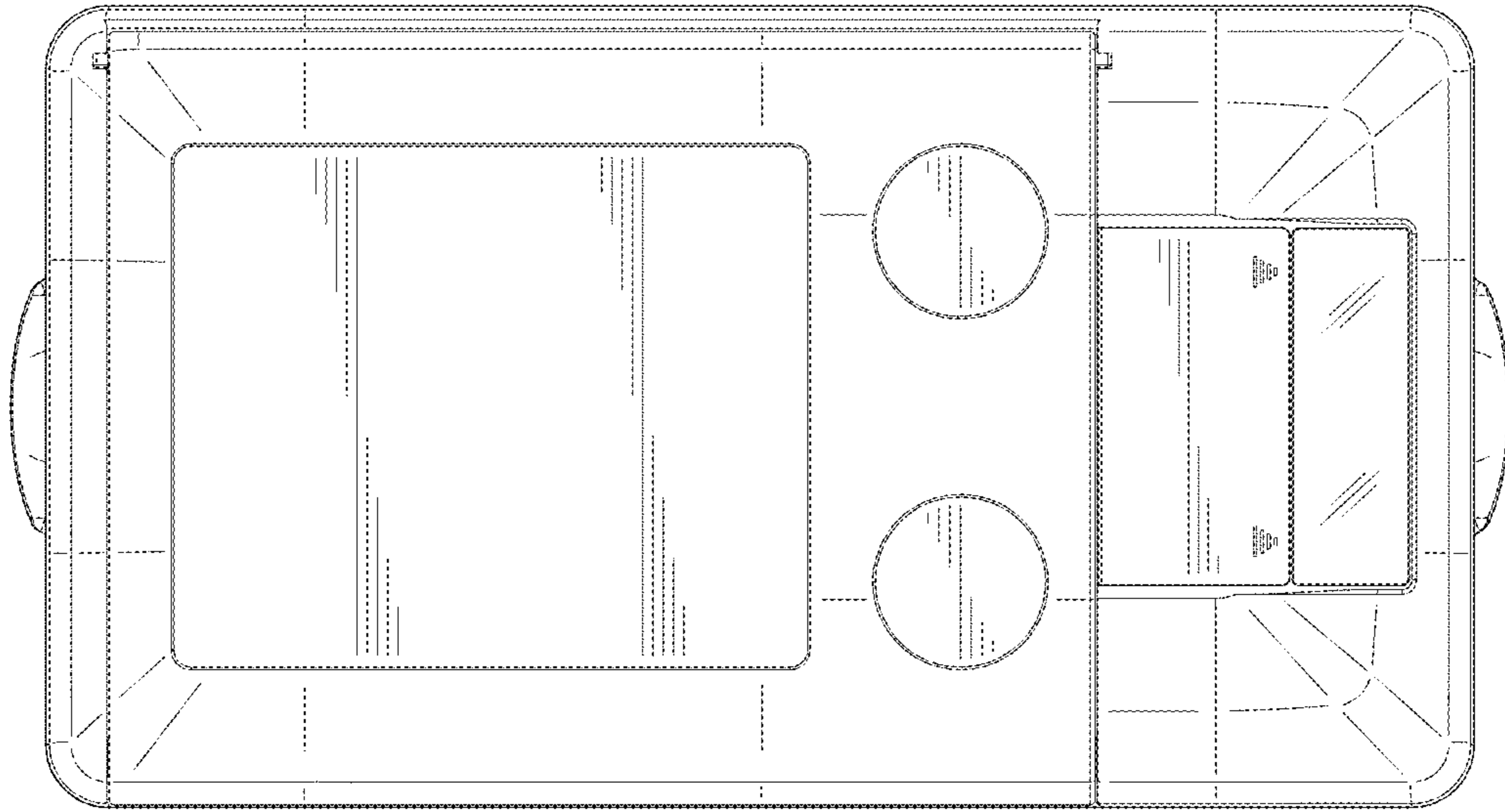


FIG.6

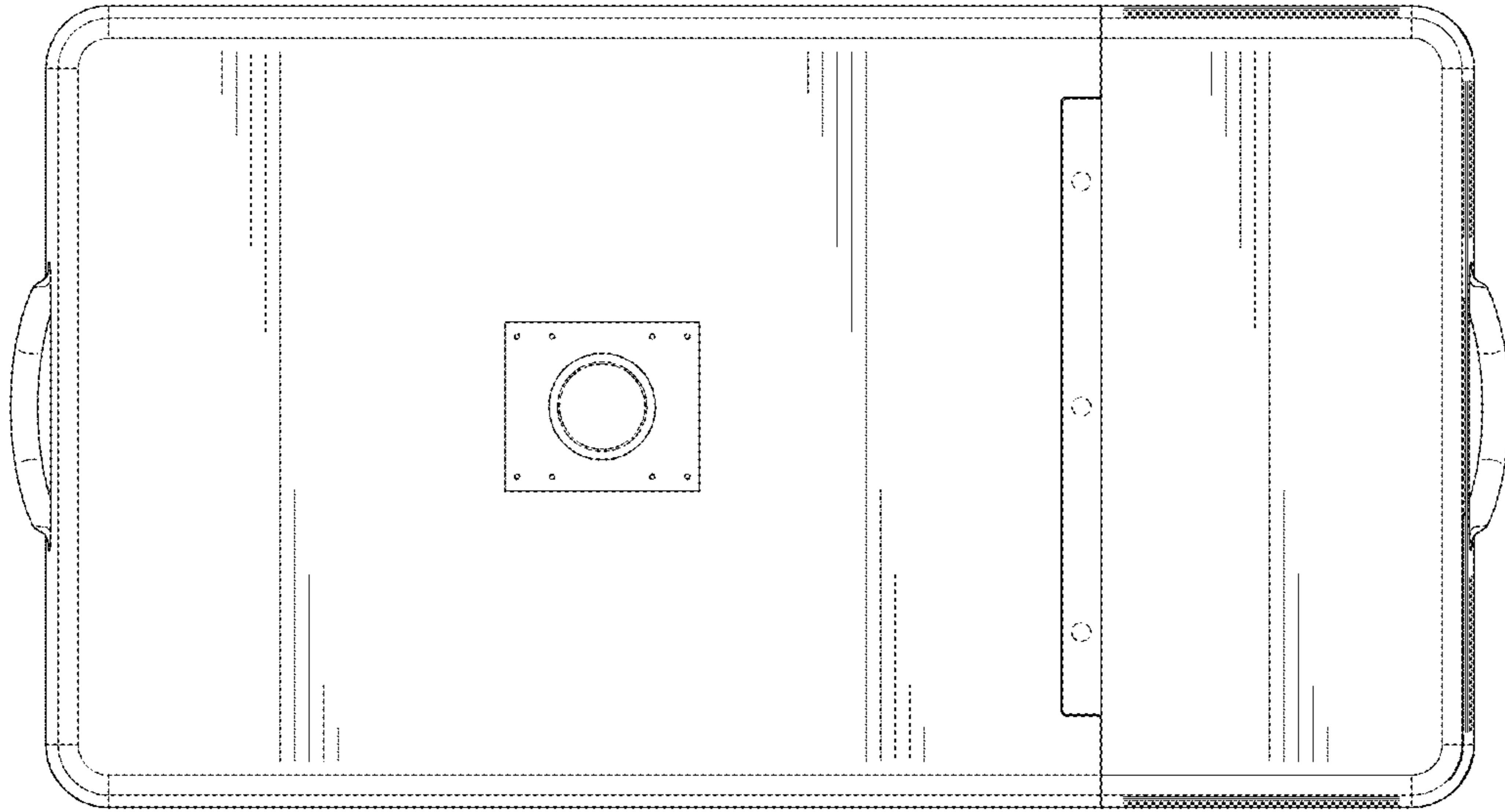


FIG. 7



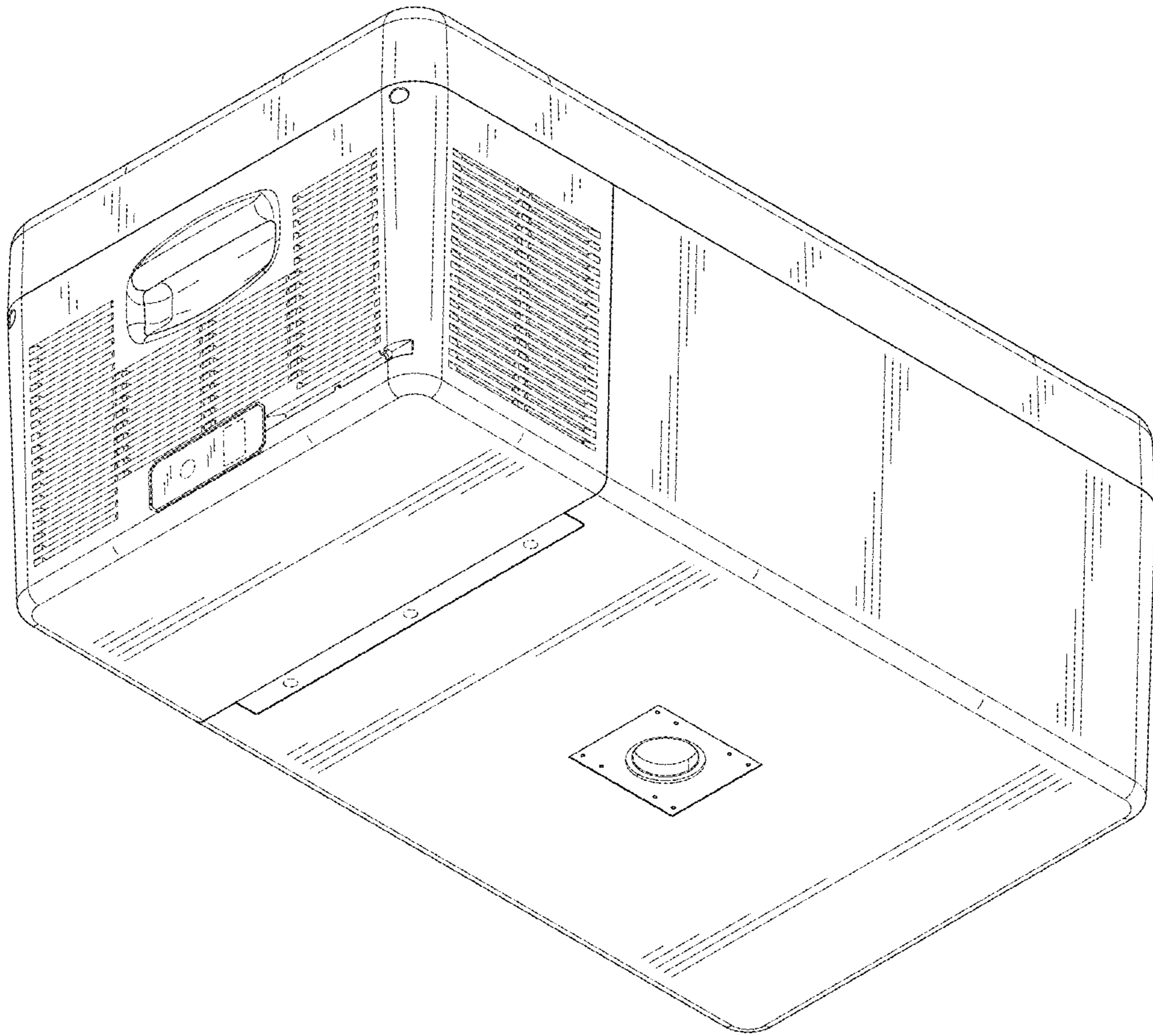


FIG. 8