



US00D937326S

(12) **United States Design Patent**  
**Mixon et al.**

(10) **Patent No.:** **US D937,326 S**

(45) **Date of Patent:** **\*\* Nov. 30, 2021**

(54) **PROTECTIVE CAGE TO SURROUND A FLOWMETER USED IN CONNECTION WITH OIL WELL MONITORING AND SUPPORT RELATED WIRELESS COMMUNICATION HARDWARE AND POWER SUPPLY**

D610,890 S *	3/2010	Collins	.....	D8/70
D682,785 S *	5/2013	Liebert	.....	D13/116
D722,737 S *	2/2015	Kane	.....	D34/24
D761,713 S *	7/2016	Hensley	.....	D12/222
D767,846 S *	9/2016	Kane	.....	D34/17
D783,502 S *	4/2017	Hensley	.....	D12/222
D810,148 S *	2/2018	Loew	.....	D15/28
D873,198 S *	1/2020	Pringle	.....	D12/223
D879,008 S *	3/2020	Pringle	.....	D12/223

(71) Applicant: **WellCaddie, LLC**, Norman, OK (US)

\* cited by examiner

(72) Inventors: **Christopher Eric Mixon**, Oklahoma City, OK (US); **Richard Carl Greenly**, Oklahoma City, OK (US)

*Primary Examiner* — Mark A Goodwin

(74) *Attorney, Agent, or Firm* — GableGotwals

(73) Assignee: **WellCaddie, LLC**, Norman, OK (US)

(57) **CLAIM**

(\*\*) Term: **15 Years**

The ornamental design for a protective cage to surround a flowmeter used in connection with oil well monitoring and support related wireless communication hardware and power supply, as shown and described.

(21) Appl. No.: **29/736,878**

**DESCRIPTION**

(22) Filed: **Jun. 3, 2020**

(51) **LOC (13) Cl.** ..... **15-03**

(52) **U.S. Cl.**  
USPC ..... **D15/28**; D12/222

(58) **Field of Classification Search**  
USPC ..... D15/28, 17, 33; D12/222, 14, 223, 86, D12/400, 401, 404, 406, 412, 414, 93, D12/101

FIG. 1 is an isometric view of an ornamental design for a protective cage to surround a flowmeter used in connection with oil well monitoring and support related wireless communication hardware and power supply showing our new design.

FIG. 2 is a front elevation view thereof.

FIG. 3 is a right side elevation view thereof.

FIG. 4 is a rear elevation view thereof.

FIG. 5 is a left side elevation view thereof.

FIG. 6 is a top plan view thereof; and,

FIG. 7 is a bottom plan view thereof.

CPC ... B60R 27/00; B60J 1/06; B60N 2/24; B60N 2/3011; B60N 2/305; B60N 2/3075; B60N 2/36; B62D 33/02; B62D 33/0273; B62D 33/037

See application file for complete search history.

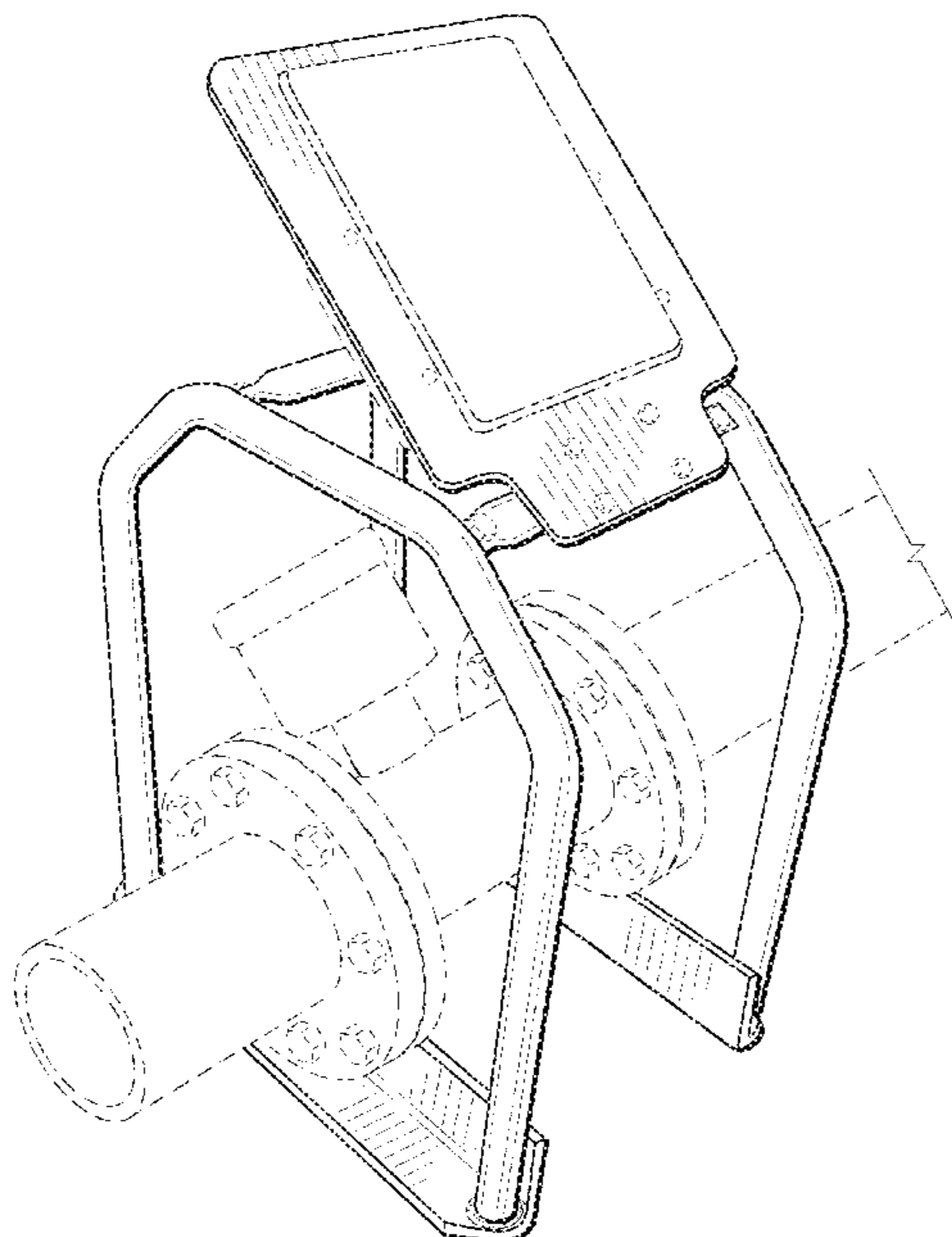
Portions of the protective cage shown in broken line form no part of the claimed design. Any broken line illustration of environmental structure—including the pipe, pipe flanges, and flowmeter—is not part of the design sought to be patented.

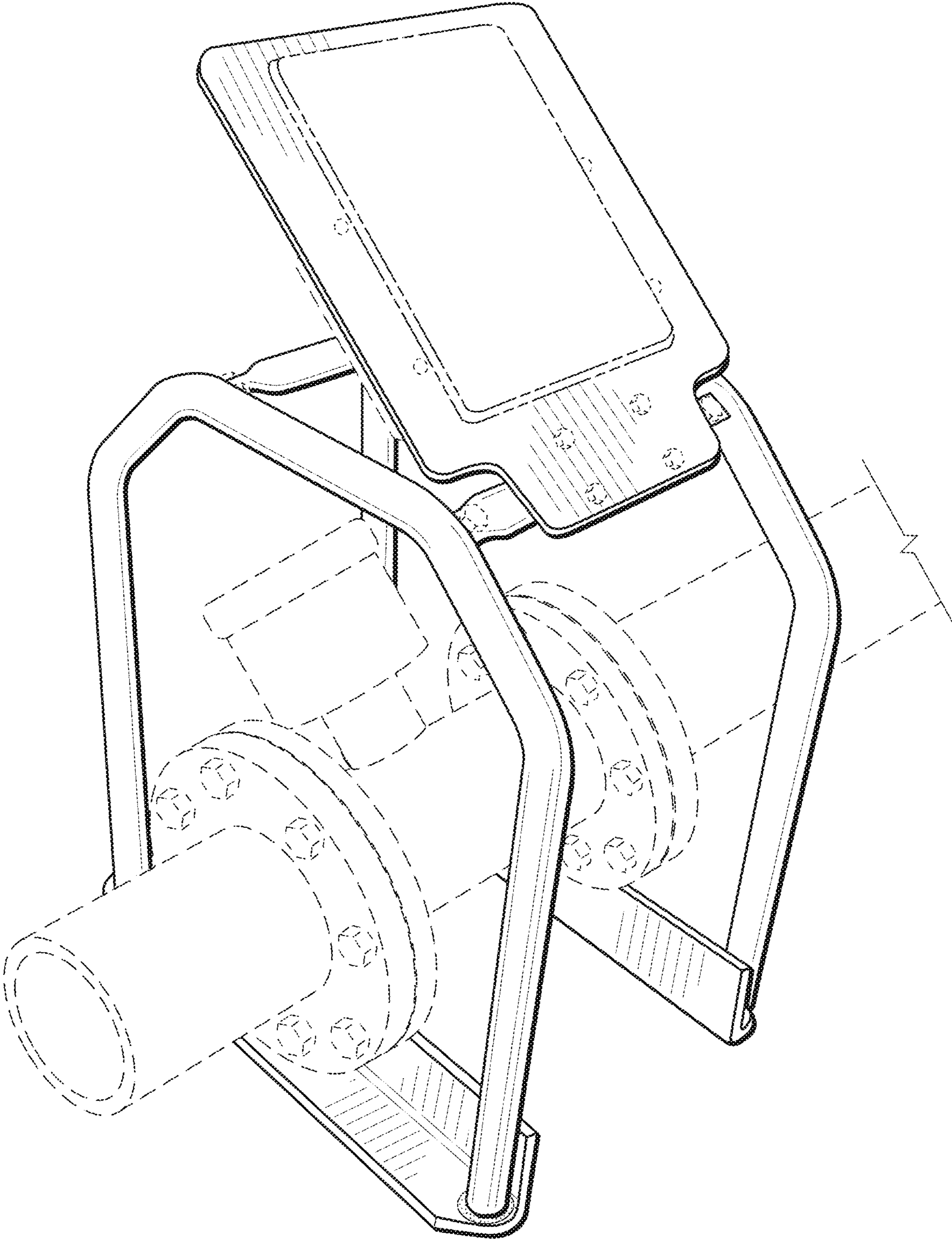
(56) **References Cited**

**U.S. PATENT DOCUMENTS**

D418,767 S *	1/2000	Oakley	.....	D10/96
D419,088 S *	1/2000	Oakley	.....	D10/96
D423,388 S *	4/2000	Oakley	.....	D10/96

**1 Claim, 4 Drawing Sheets**





*Fig. 1*

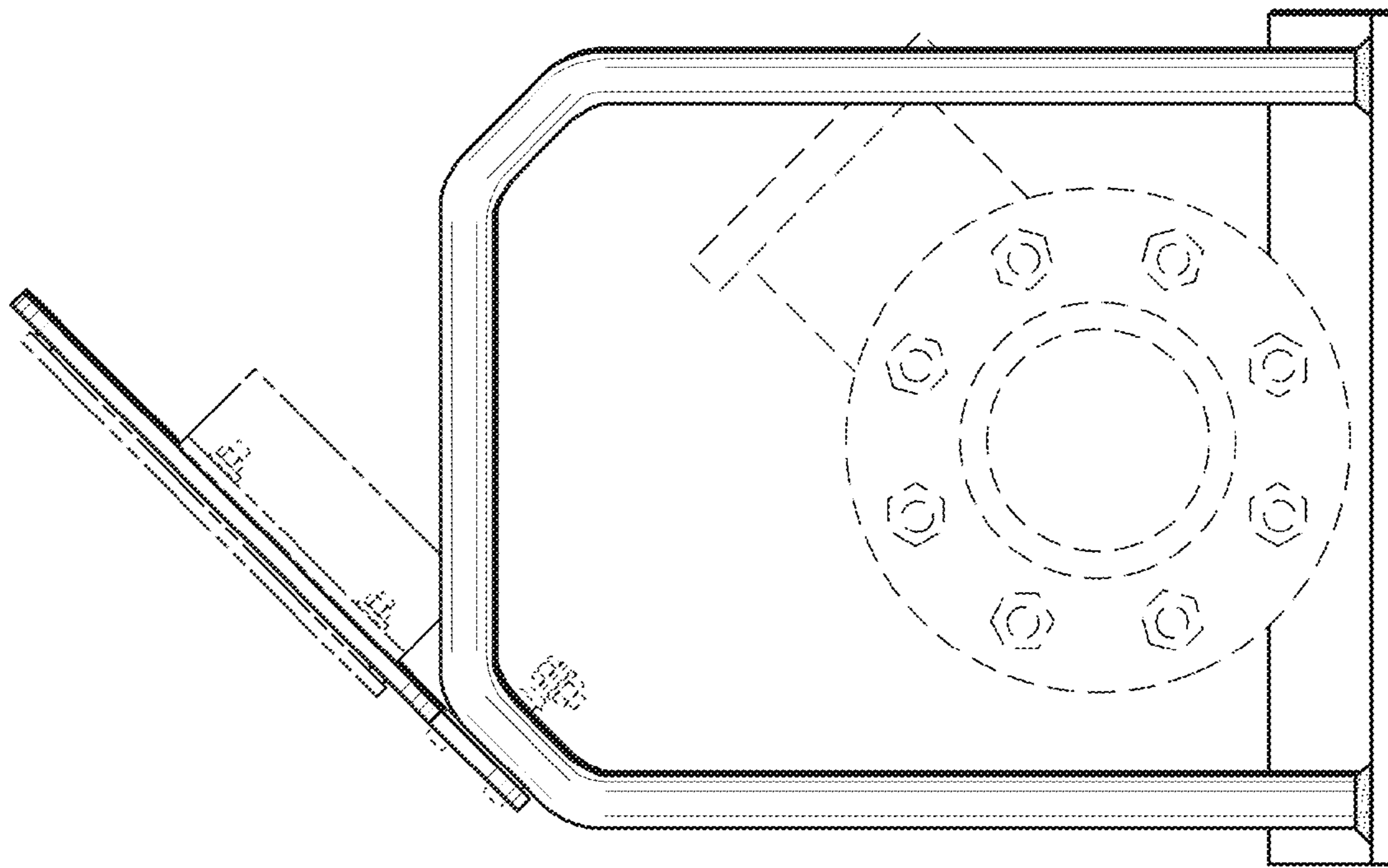


Fig. 3

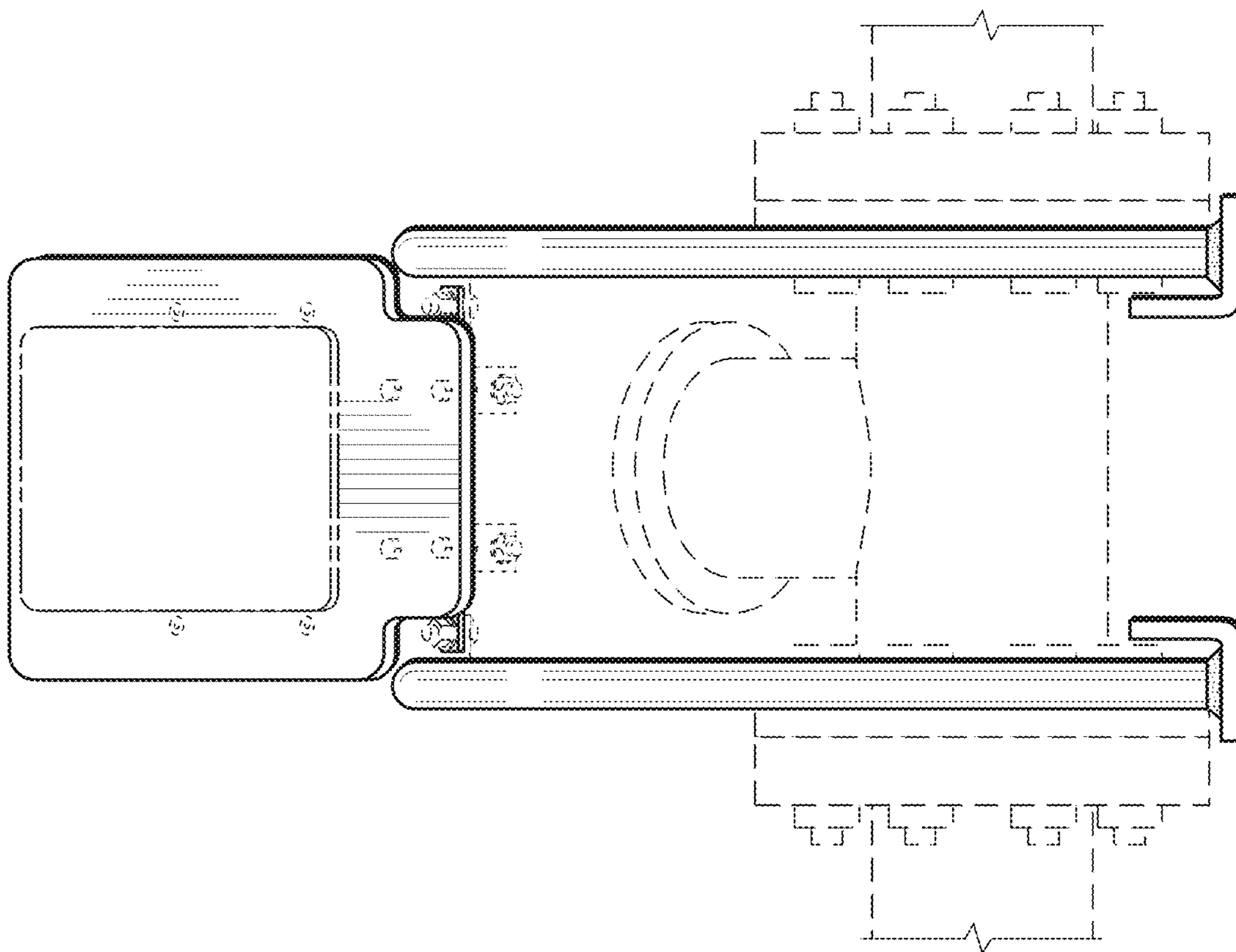


Fig. 2

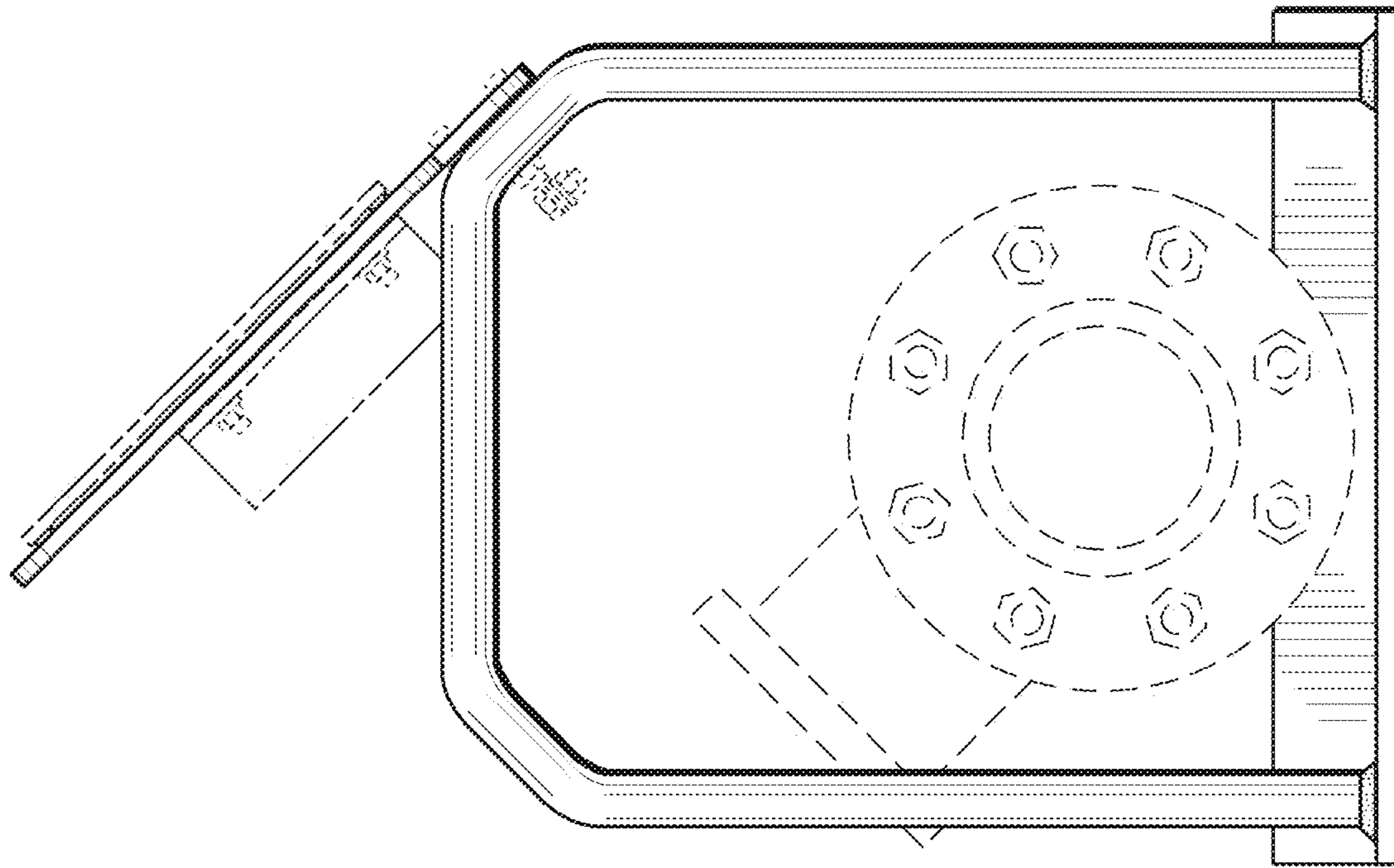


Fig. 5

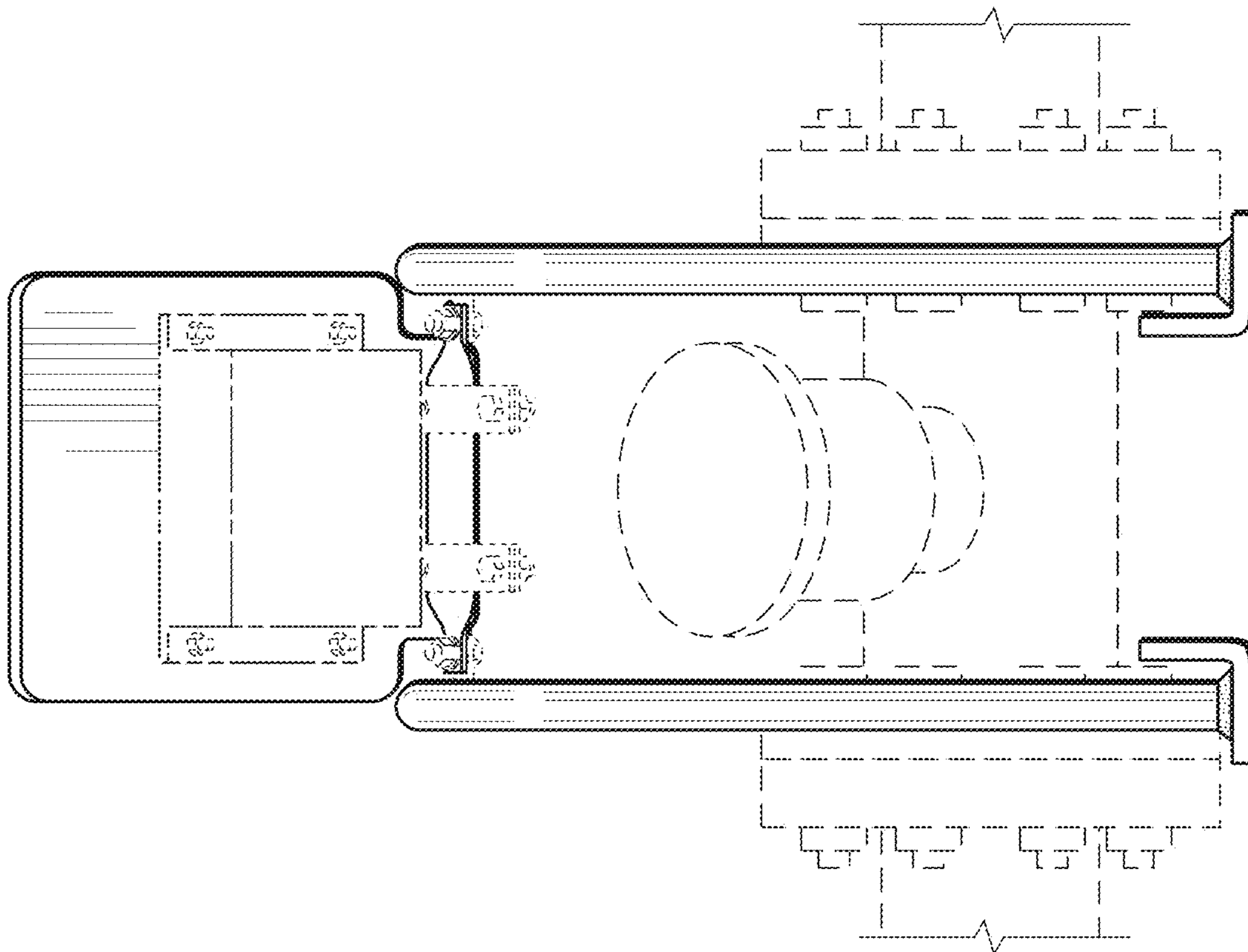
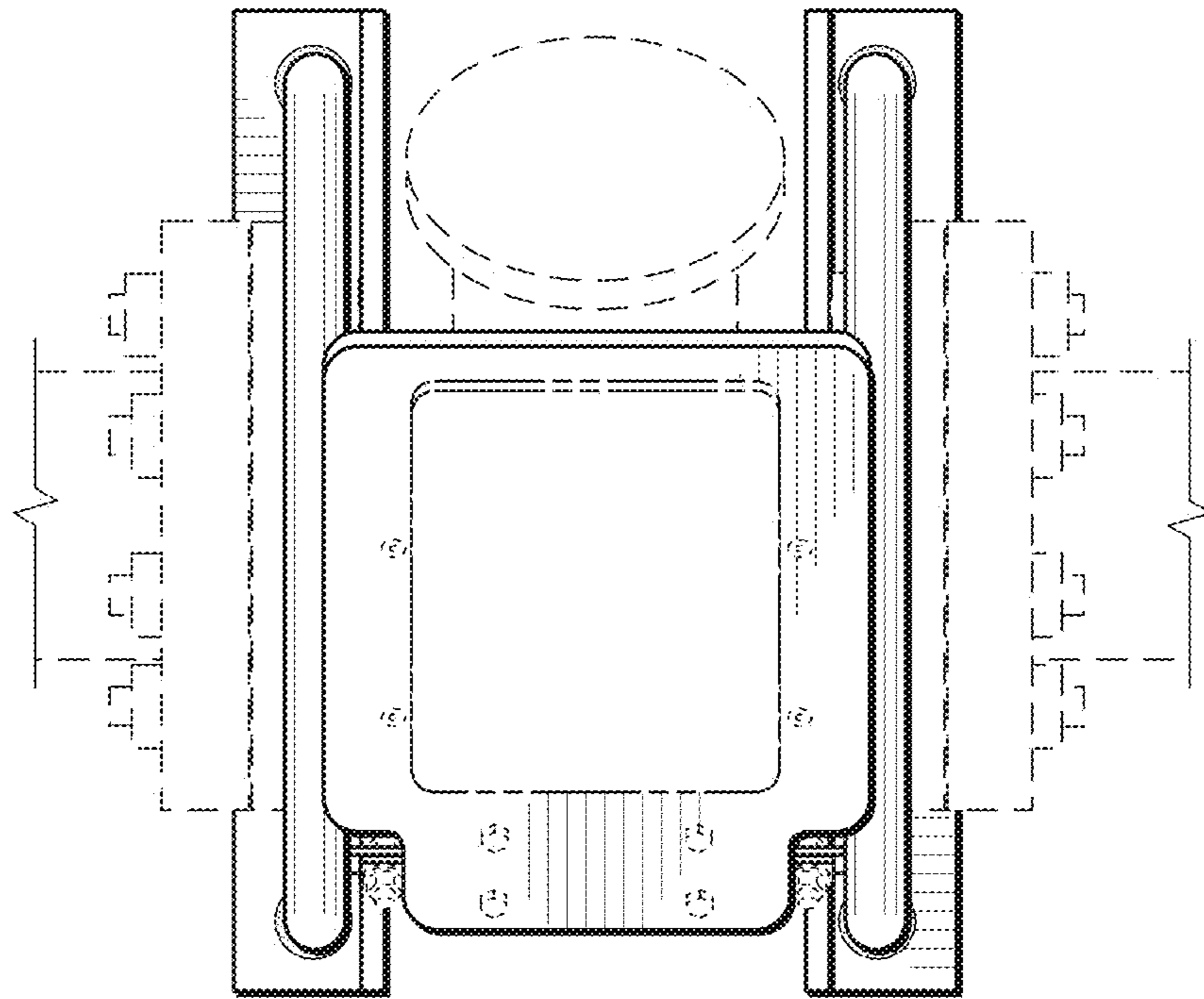
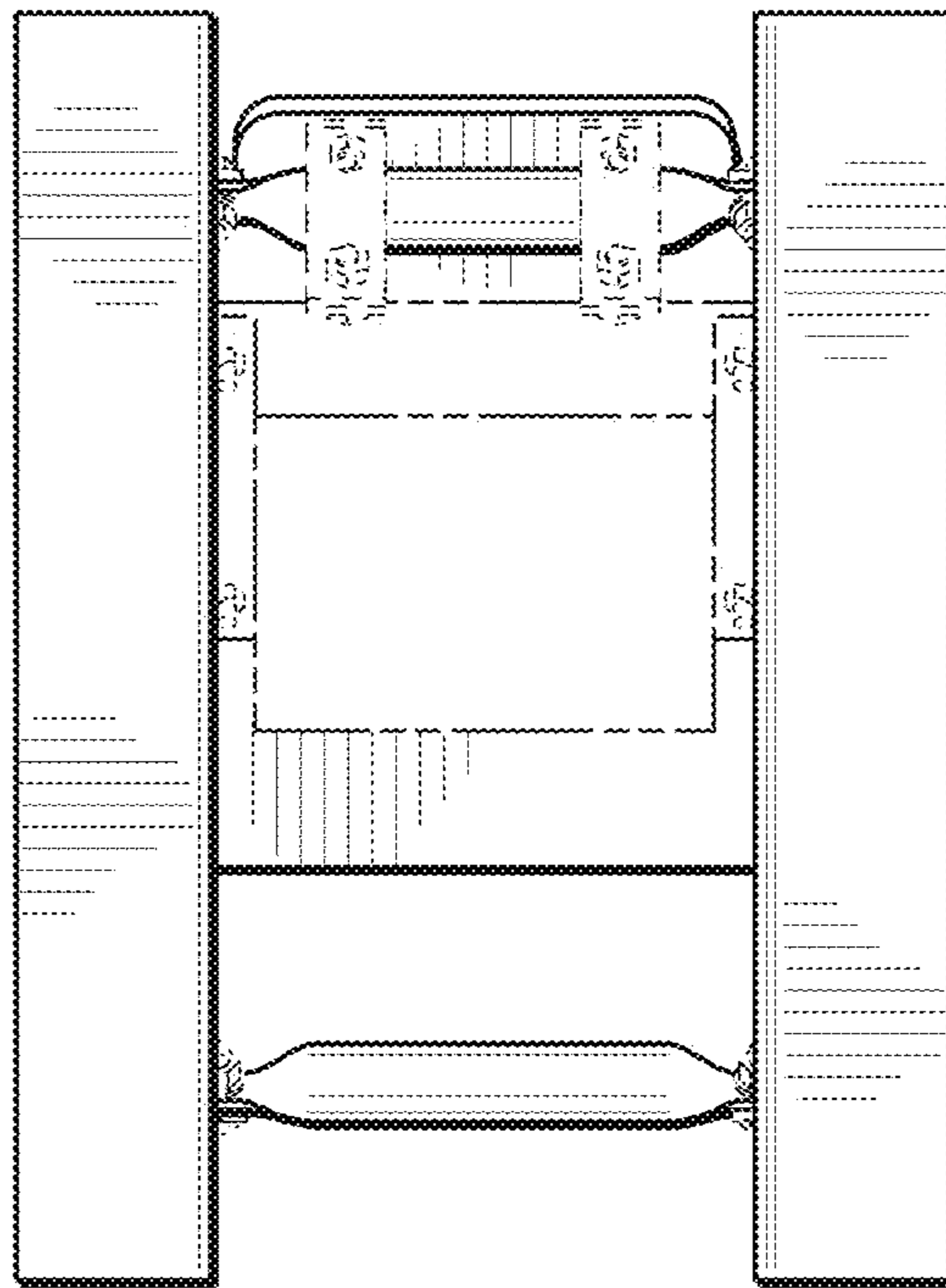


Fig. 4



*Fig. 6*



*Fig. 7*