

US00D937325S

(12) **United States Design Patent** (10) **Patent No.:** **US D937,325 S**  
**Clouser et al.** (45) **Date of Patent:** **\*\* \*Nov. 30, 2021**

(54) **PUMP COVER**

(71) Applicant: **Gary L. Sharpe**, Naples, FL (US)

(72) Inventors: **Doug Clouser**, Galloway, OH (US);  
**Gary L. Sharpe**, Naples, FL (US);  
**Lacey Fenner**, Columbus, OH (US);  
**Brian Dutro**, Dublin, OH (US)

(73) Assignee: **Gary L. Sharpe**, Naples, FL (US)

(\*) Notice: This patent is subject to a terminal disclaimer.

(\*\*) Term: **15 Years**

(21) Appl. No.: **29/716,229**

(22) Filed: **Dec. 7, 2019**

**Related U.S. Application Data**

(63) Continuation-in-part of application No. 29/671,927, filed on Nov. 30, 2018, now Pat. No. Des. 885,441.

(51) **LOC (13) Cl.** ..... **15-02**

(52) **U.S. Cl.**  
USPC ..... **D15/7**

(58) **Field of Classification Search**  
USPC ..... D15/7-9; D23/231, 232, 225

(Continued)

(56) **References Cited**

**U.S. PATENT DOCUMENTS**

3,635,344 A \* 1/1972 Lovitz ..... E04H 4/1209  
210/167.27

D231,132 S \* 4/1974 Lovitz ..... D15/7  
(Continued)

*Primary Examiner* — Mitchell I. Siegel

(74) *Attorney, Agent, or Firm* — Standley Law Group  
LLP; Jeffrey Standley; Jeffrey Norris

(57) **CLAIM**

The ornamental design for a pump cover, as shown and described.

**DESCRIPTION**

FIG. 1 is a top, front, and left side perspective view of a pump cover.

FIG. 2 is a top, front, and right side perspective view of the pump cover of FIG. 1.

FIG. 3 is a bottom, rear, and right side perspective view of the pump cover of FIG. 1.

FIG. 4 is a bottom, rear, and left side perspective view of the pump cover of FIG. 1.

FIG. 5 is a front elevation view of the pump cover of FIG. 1.

FIG. 6 is a rear elevation view of the pump cover of FIG. 1.

FIG. 7 is a top plan view of the pump cover of FIG. 1.

FIG. 8 is a bottom plan view of the pump cover of FIG. 1.

FIG. 9 is a left end elevation view of the pump cover of FIG. 1.

FIG. 10 is a right end elevation view of the pump cover of FIG. 1.

FIG. 11 is a top, front, and left side perspective view of a second embodiment of a pump cover.

FIG. 12 is a top, front, and right side perspective view of the pump cover of FIG. 11.

FIG. 13 is a bottom, rear, and right side perspective view of the pump cover of FIG. 11.

FIG. 14 is a bottom, rear, and left side perspective view of the pump cover of FIG. 11.

FIG. 15 is a front elevation view of the pump cover of FIG. 11.

FIG. 16 is a rear elevation view of the pump cover of FIG. 11.

FIG. 17 is a top plan view of the pump cover of FIG. 11.

FIG. 18 is a bottom plan view of the pump cover of FIG. 11.

FIG. 19 is a left end elevation view of the pump cover of FIG. 11.

FIG. 20 is a right end elevation view of the pump cover of FIG. 11.

FIG. 21 is a top, front, and left side perspective view of a third embodiment of a pump cover.

FIG. 22 is a top, front, and right side perspective view of the pump cover of FIG. 21.

(Continued)

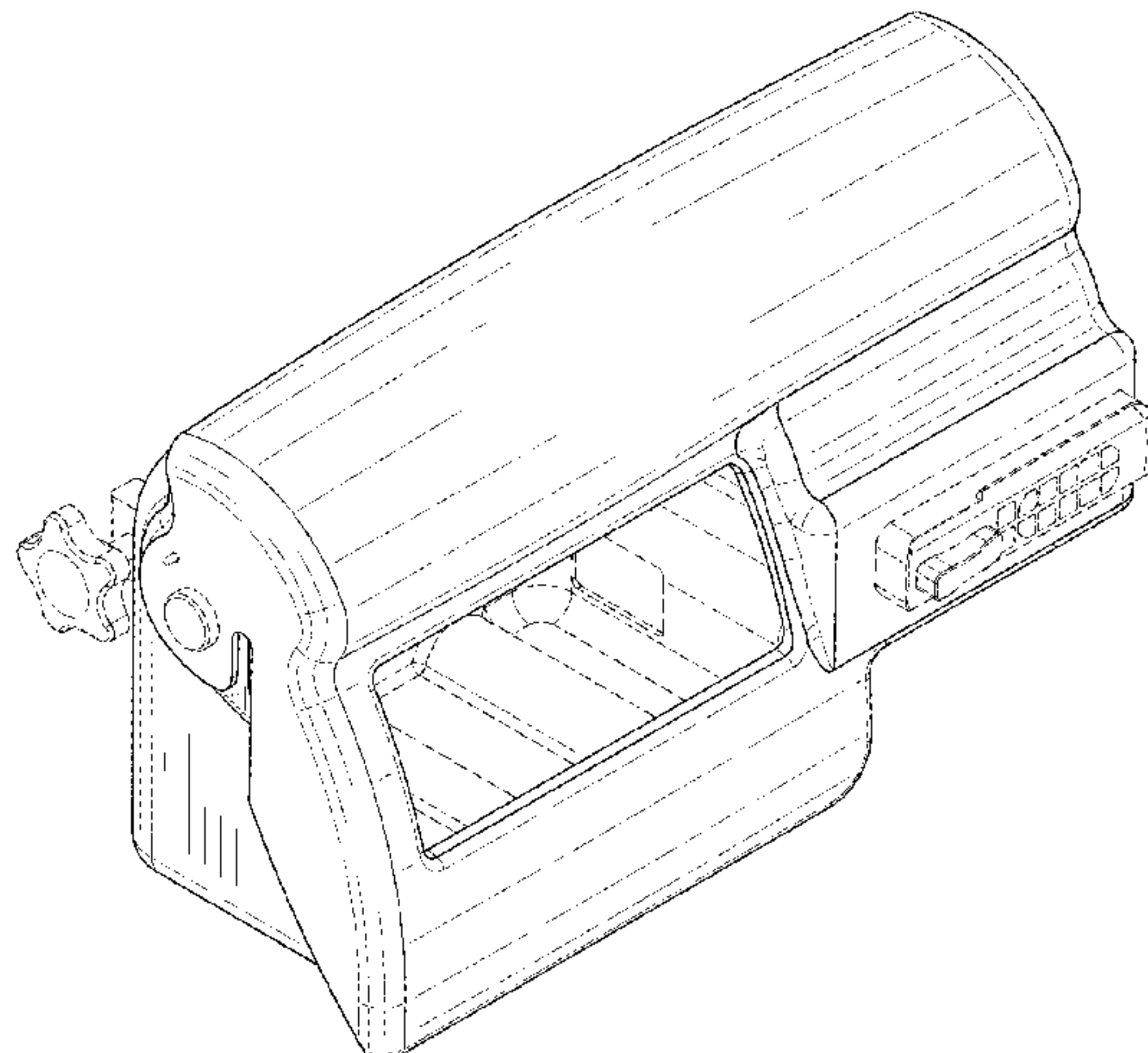


FIG. 23 is a bottom, rear, and right side perspective view of the pump cover of FIG. 21.

FIG. 24 is a bottom, rear, and left side perspective view of the pump cover of FIG. 21.

FIG. 25 is a front elevation view of the pump cover of FIG. 21.

FIG. 26 is a rear elevation view of the pump cover of FIG. 21.

FIG. 27 is a top plan view of the pump cover of FIG. 21.

FIG. 28 is a bottom plan view of the pump cover of FIG. 21.

FIG. 29 is a left end elevation view of the pump cover of FIG. 21; and,

FIG. 30 is a right end elevation view of the pump cover of FIG. 21.

The broken lines in the drawings depict portions of a pump cover that form no part of the claimed design.

**1 Claim, 21 Drawing Sheets**

(58) **Field of Classification Search**

CPC ..... F02M 37/04; F02M 37/14; F04B 53/92;  
F04B 1/005; B29C 47/92; B29C 47/0026

See application file for complete search history.

(56)

**References Cited**

U.S. PATENT DOCUMENTS

D249,264	S	*	9/1978	Bingler .....	D15/7
D382,882	S	*	8/1997	Parker .....	D15/7
D385,889	S	*	11/1997	Kullas .....	D15/7
D487,471	S	*	3/2004	Rivera .....	D15/7
D589,533	S	*	3/2009	Anderson .....	D15/8
D598,472	S	*	8/2009	Anderson .....	D15/7
D602,501	S	*	10/2009	Ton .....	D15/7
D602,960	S	*	10/2009	Bukoski .....	D15/9
D611,504	S	*	3/2010	Ton .....	D15/7
D618,706	S	*	6/2010	Coleman .....	D15/7
D700,916	S	*	3/2014	Kieffer .....	D15/7
D709,920	S	*	7/2014	Tristano .....	D15/7
D727,363	S	*	4/2015	Carpenter .....	D15/7
D744,003	S	*	11/2015	Ton .....	D15/7
D793,454	S	*	8/2017	Perez .....	D15/7
D804,981	S	*	12/2017	Pohl .....	D11/7
D826,284	S	*	8/2018	Mead .....	D15/7
D845,351	S	*	4/2019	Yamaguchi .....	D15/7
D885,441	S	*	5/2020	Sharpe .....	D15/7

\* cited by examiner

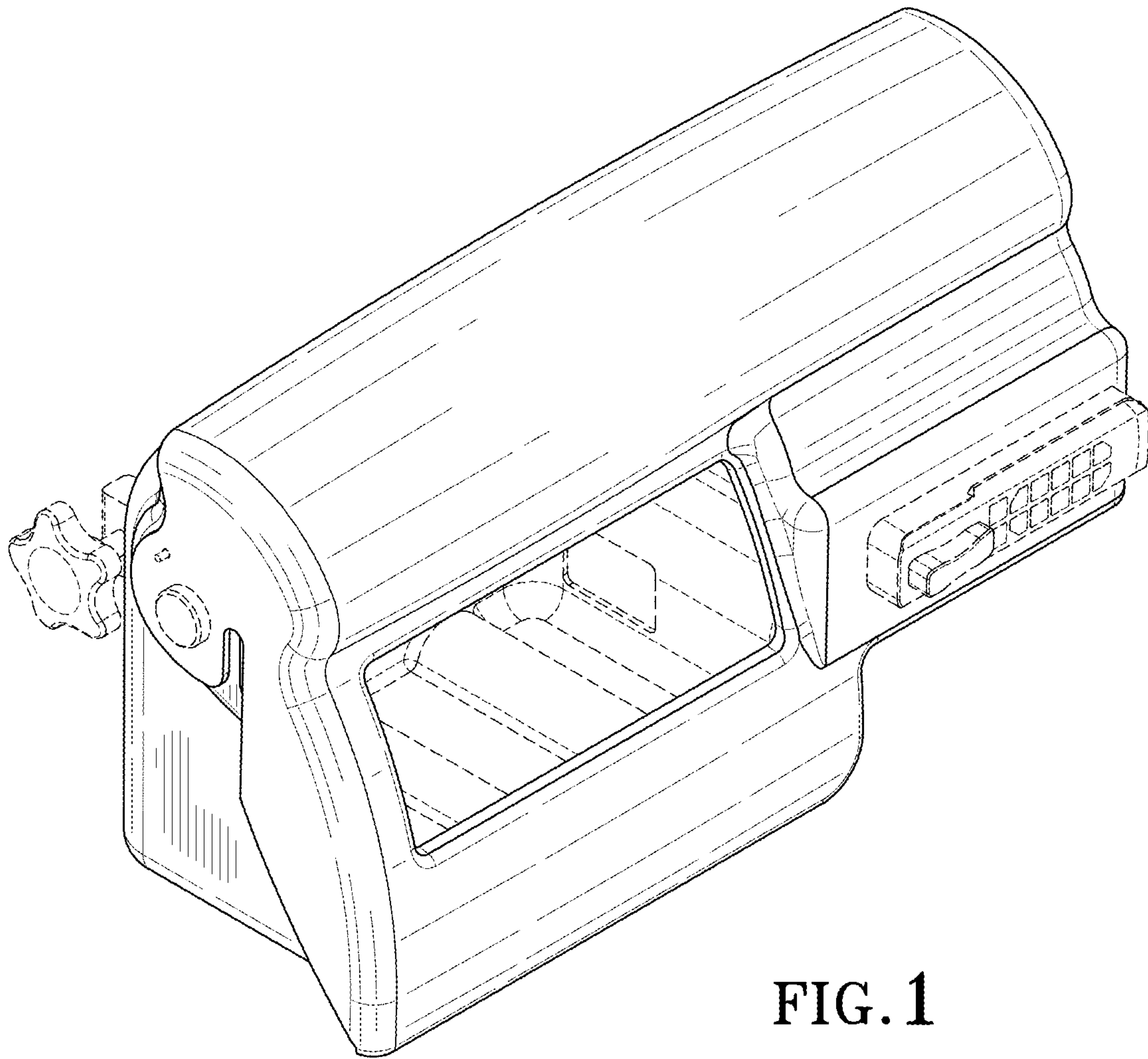


FIG. 1



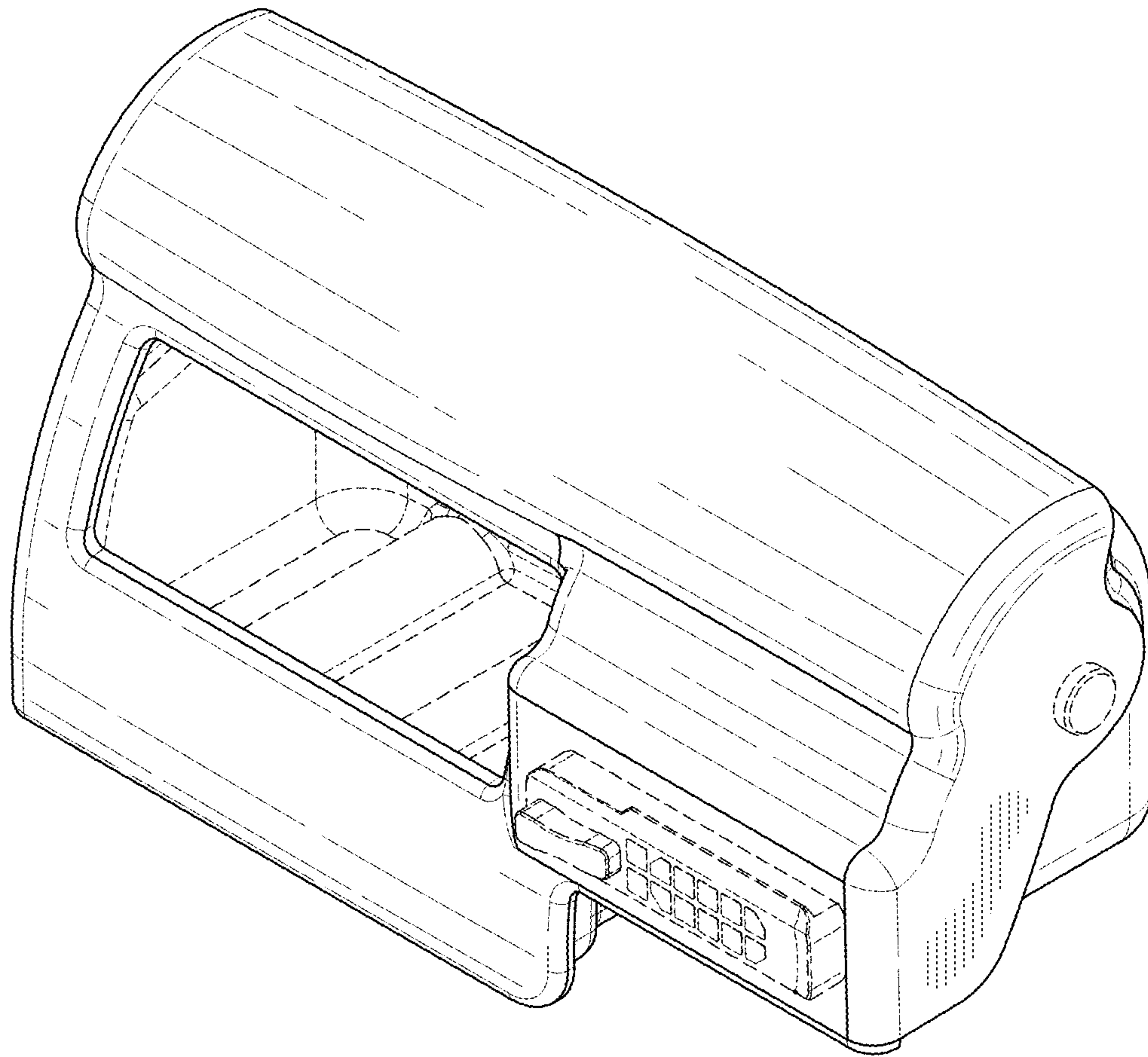


FIG. 2

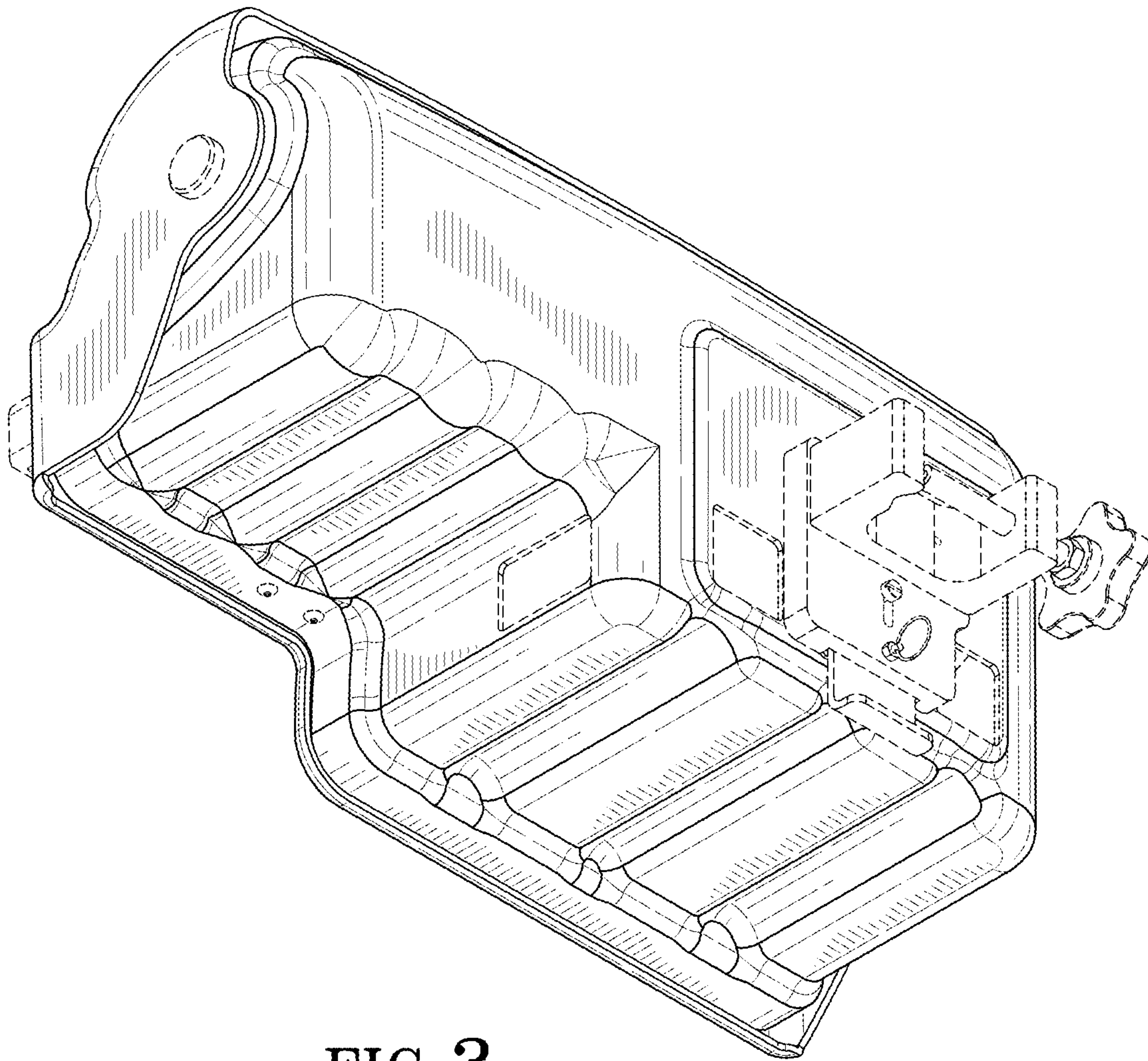


FIG. 3

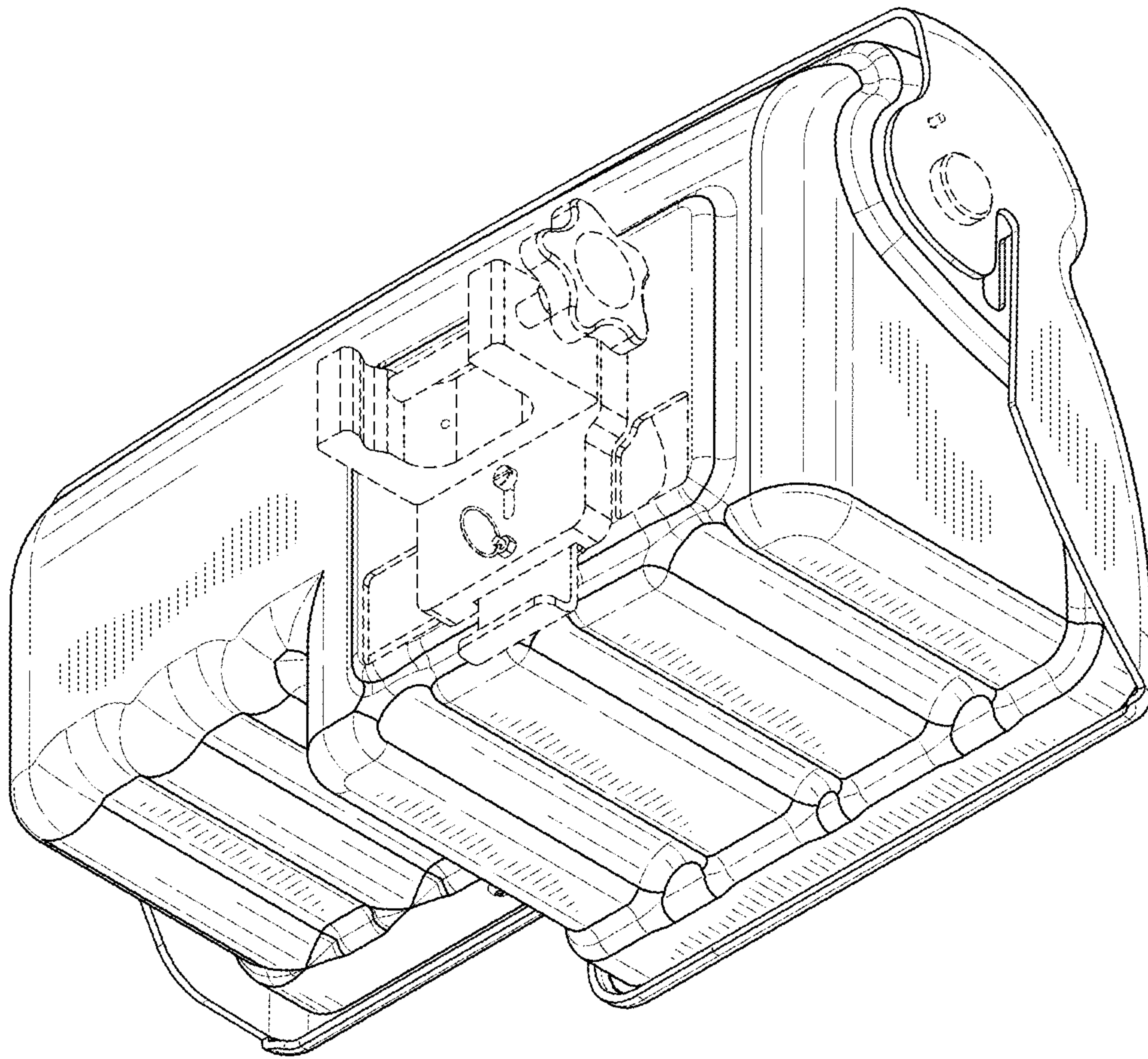


FIG. 4



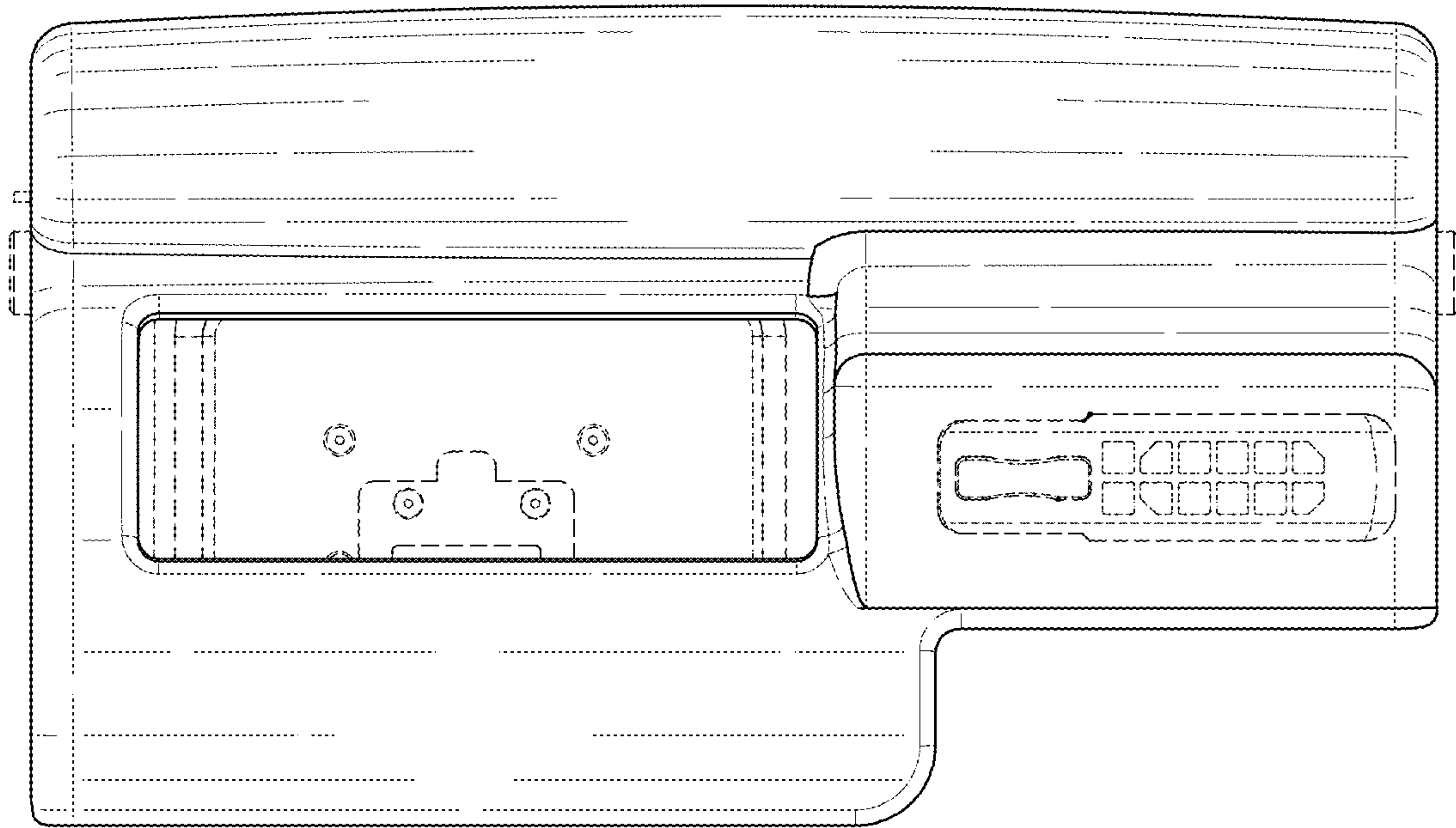


FIG. 5

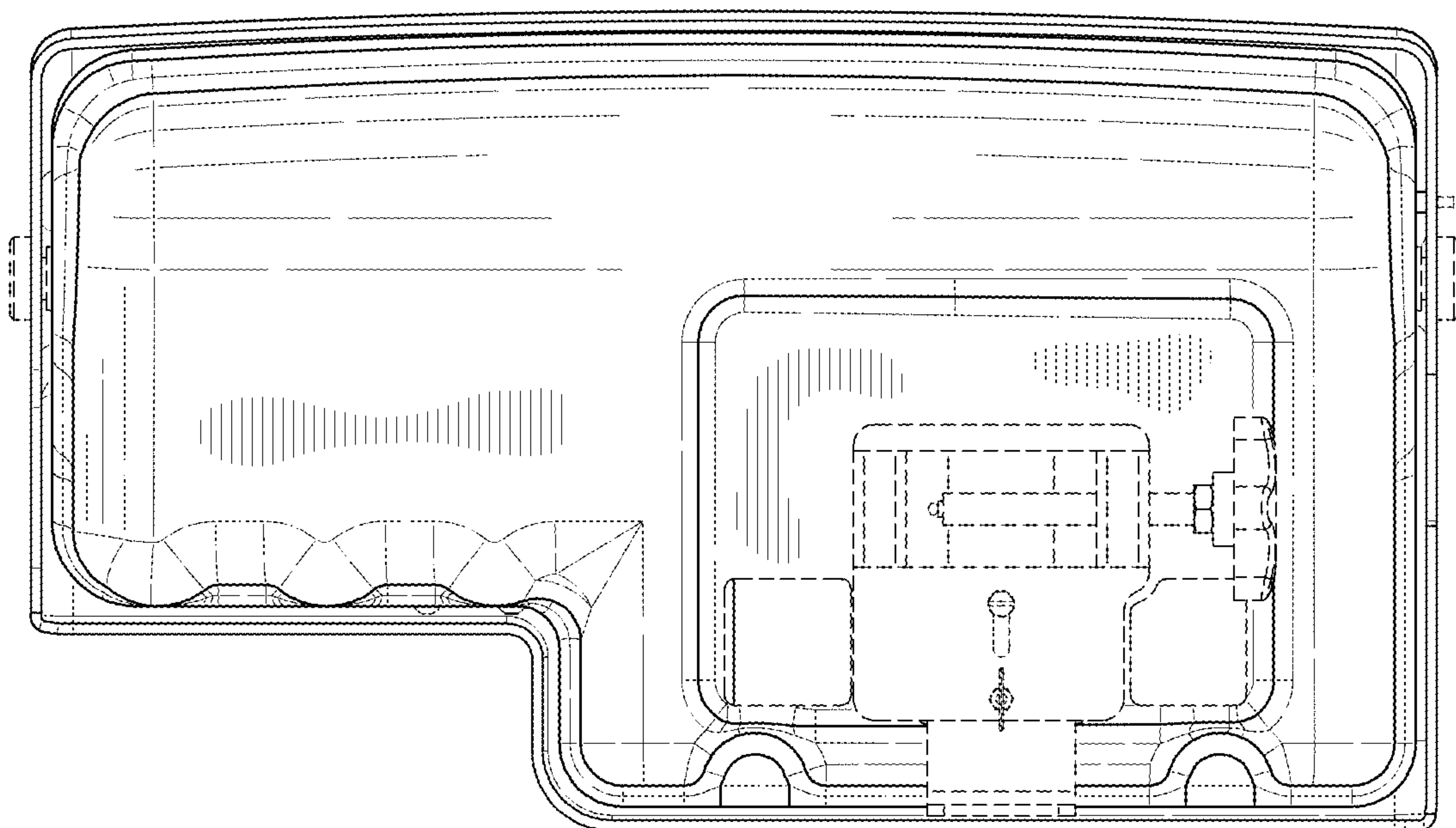


FIG. 6

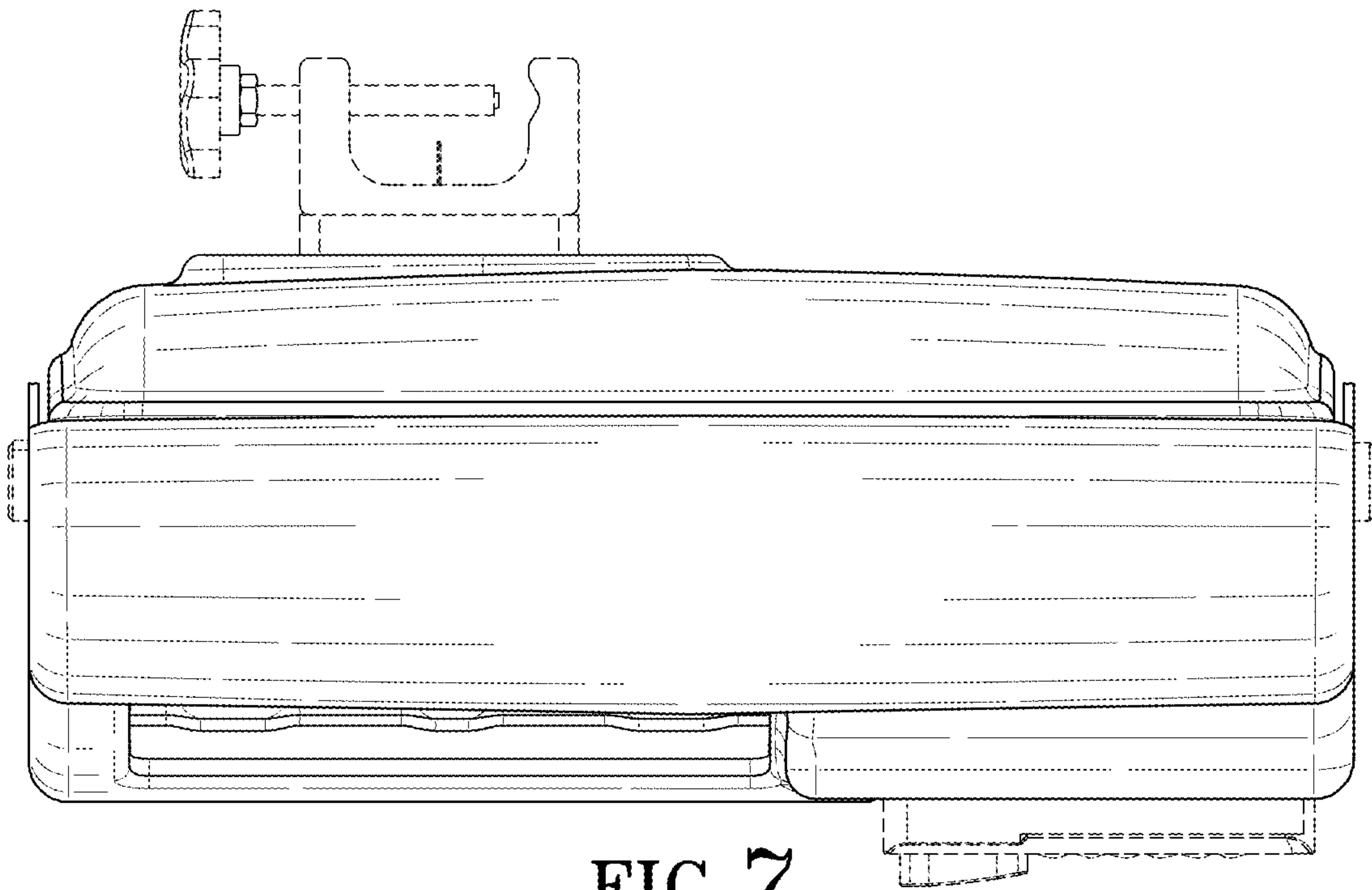


FIG. 7

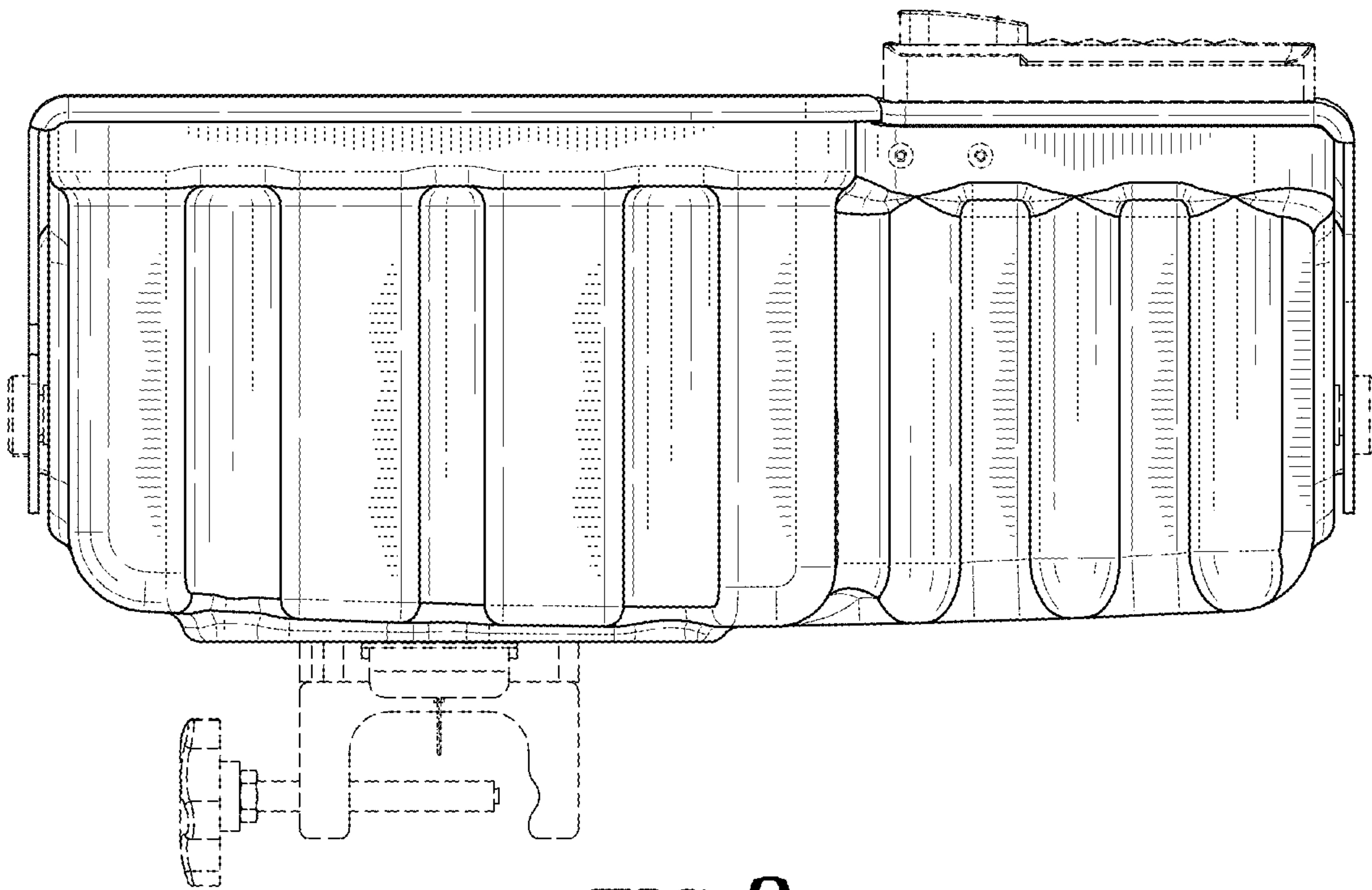


FIG. 8



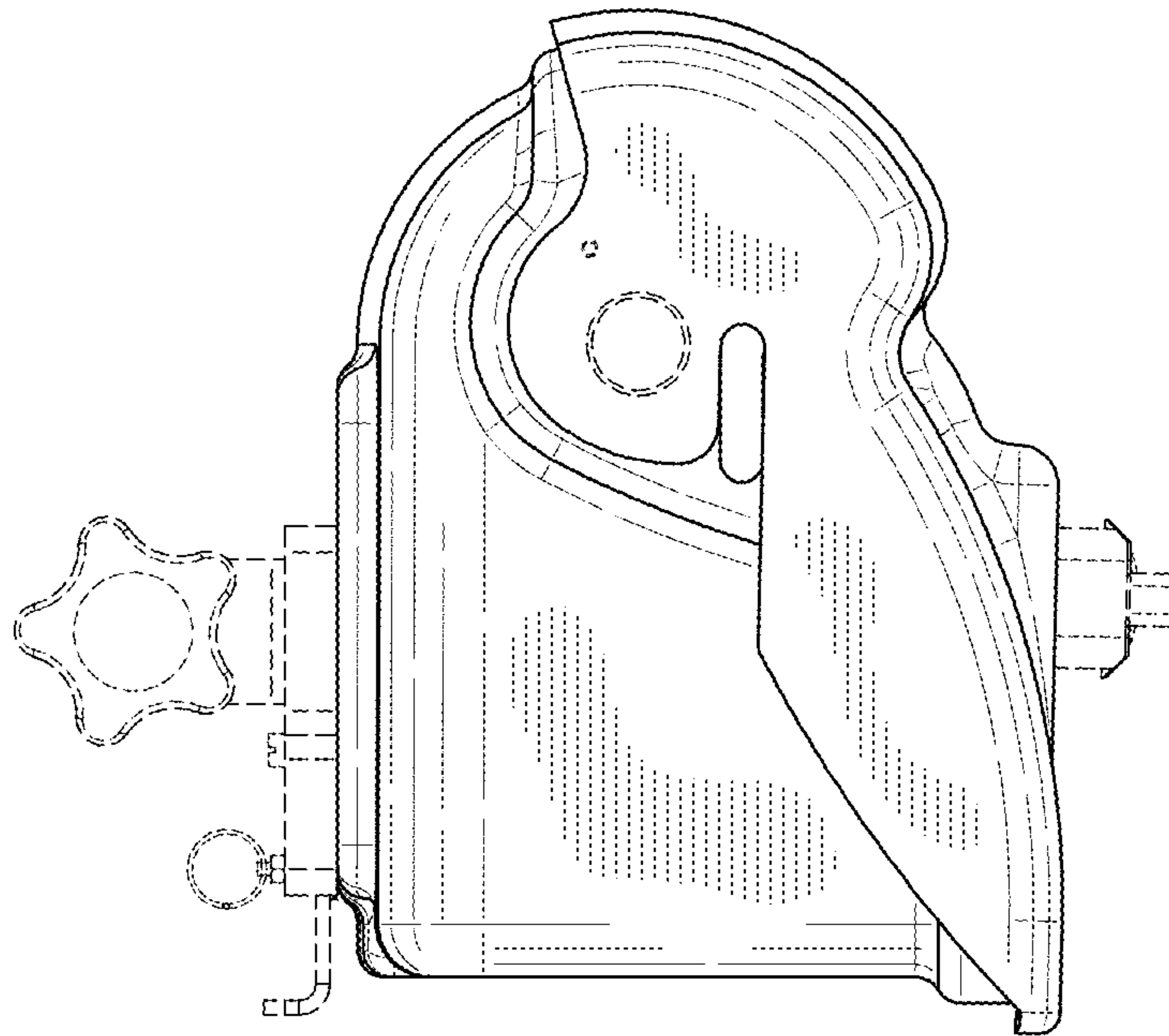


FIG. 9

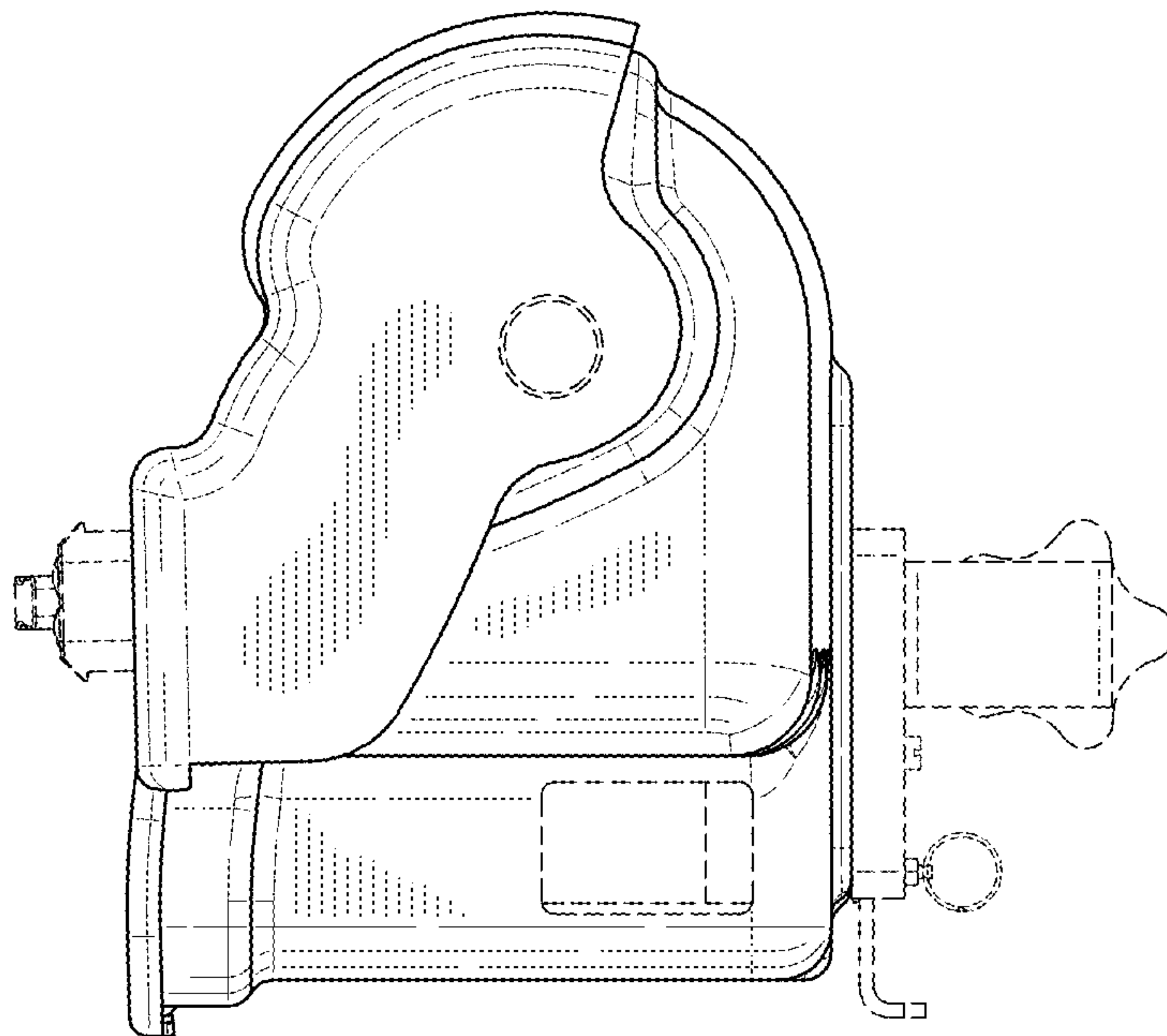


FIG. 10

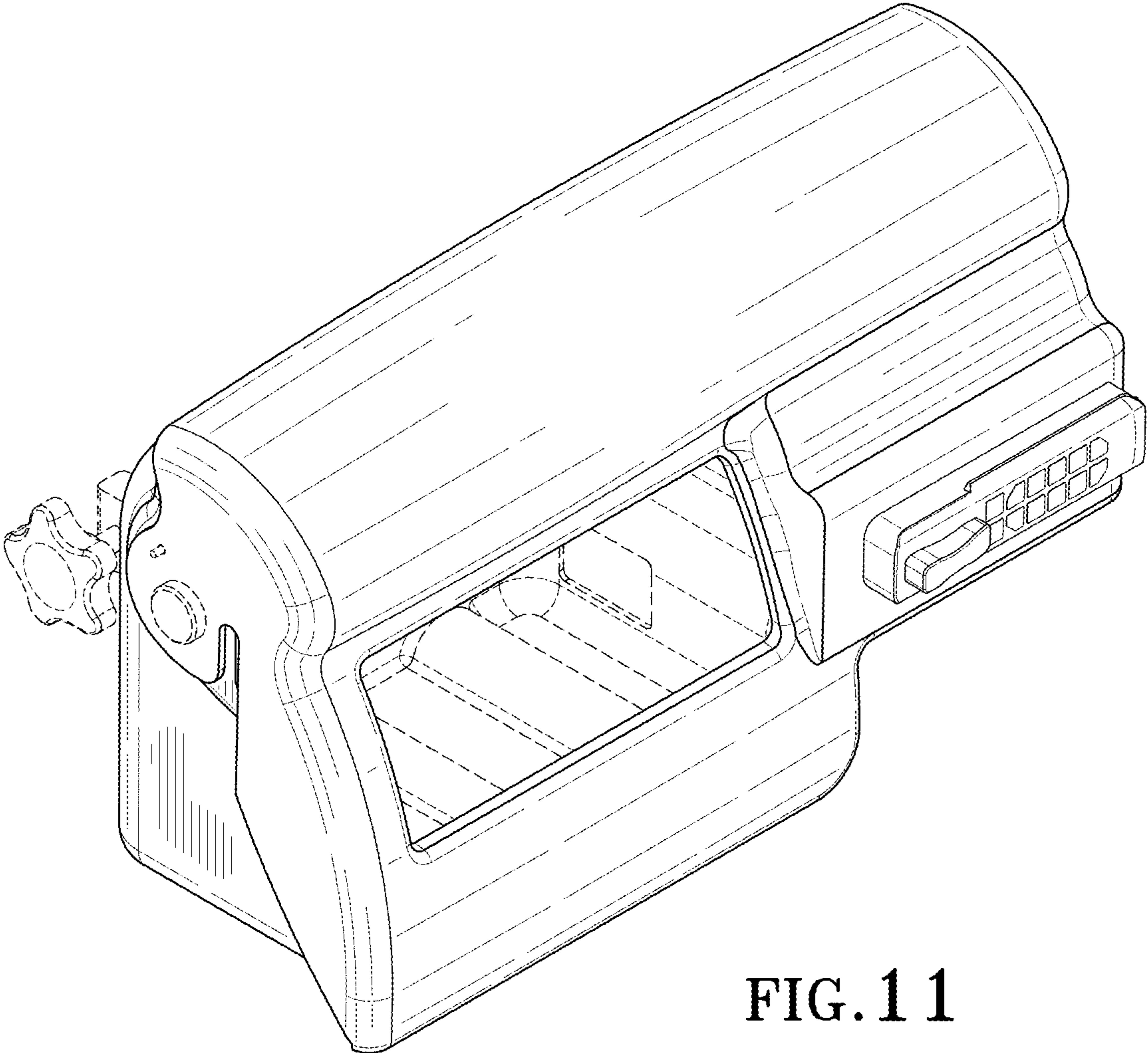


FIG. 11

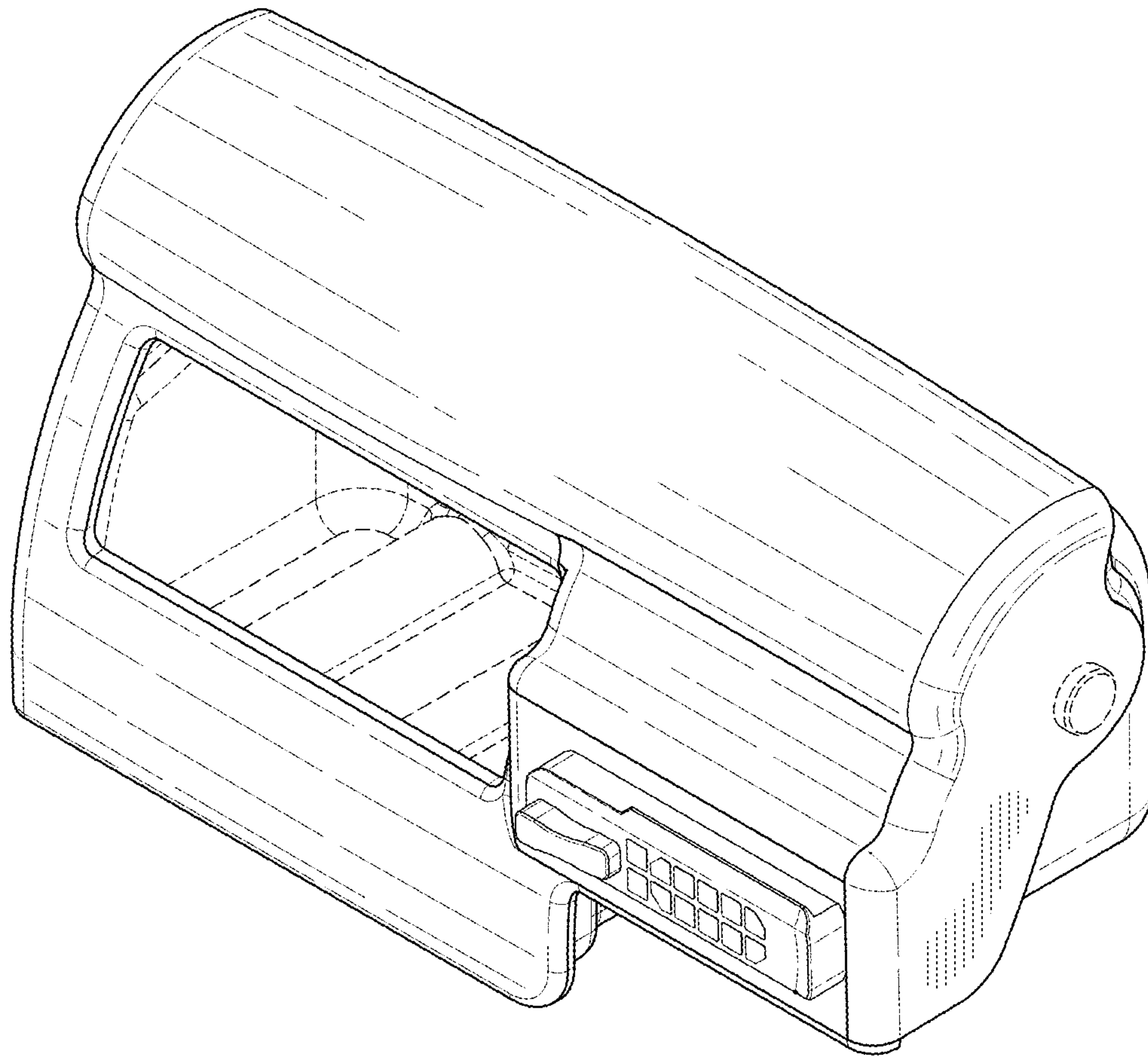


FIG. 12



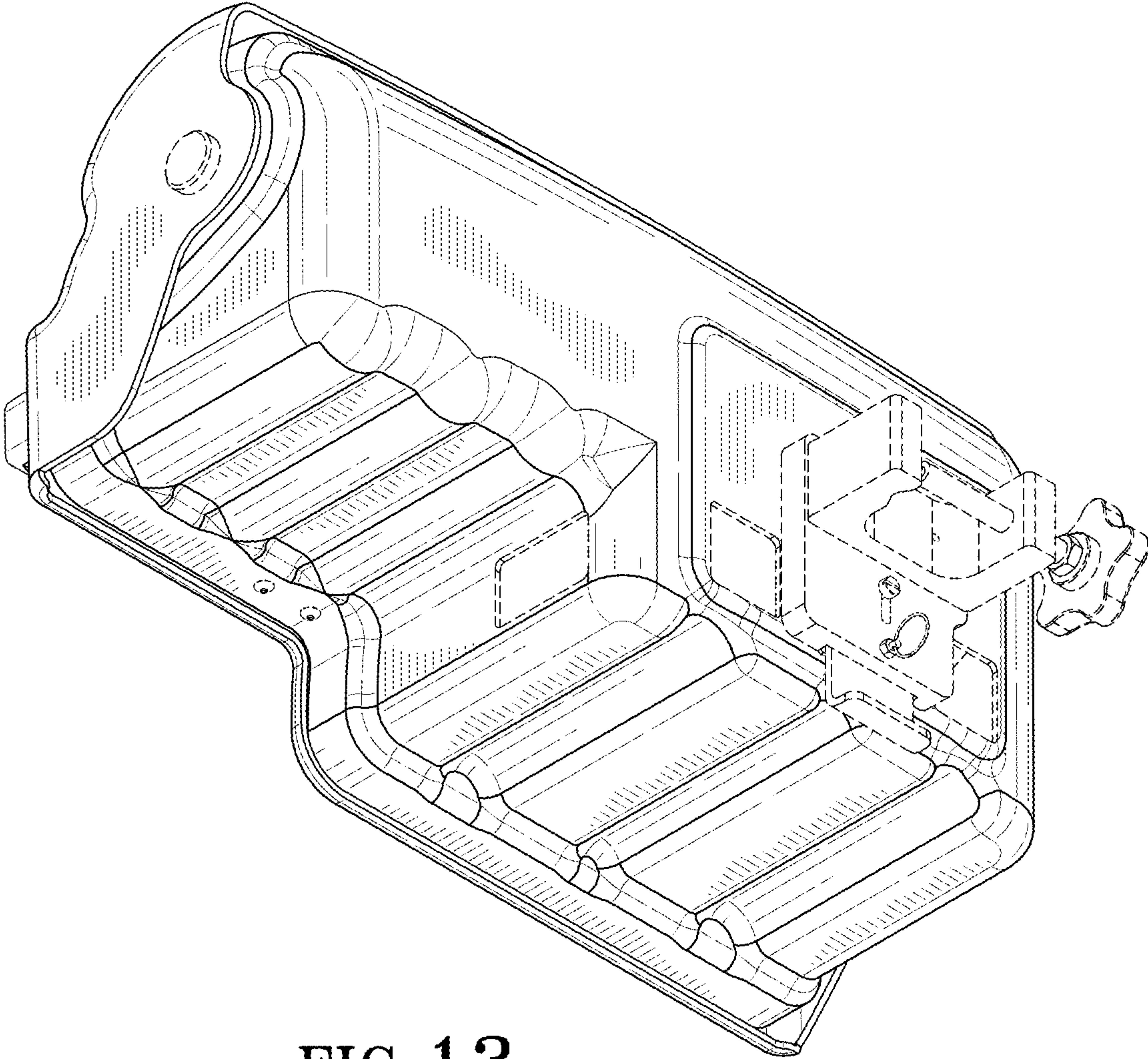


FIG. 13

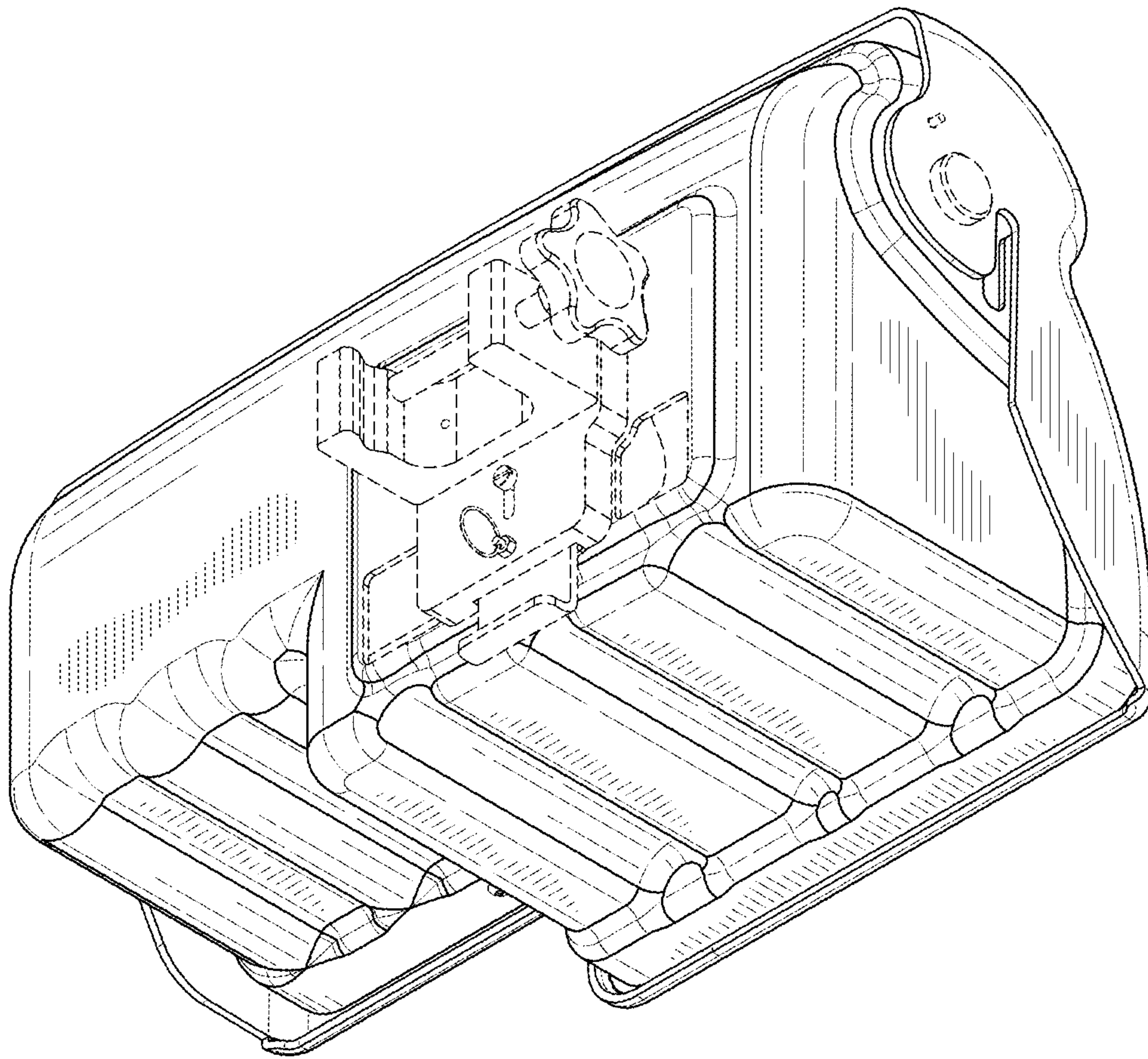


FIG. 14

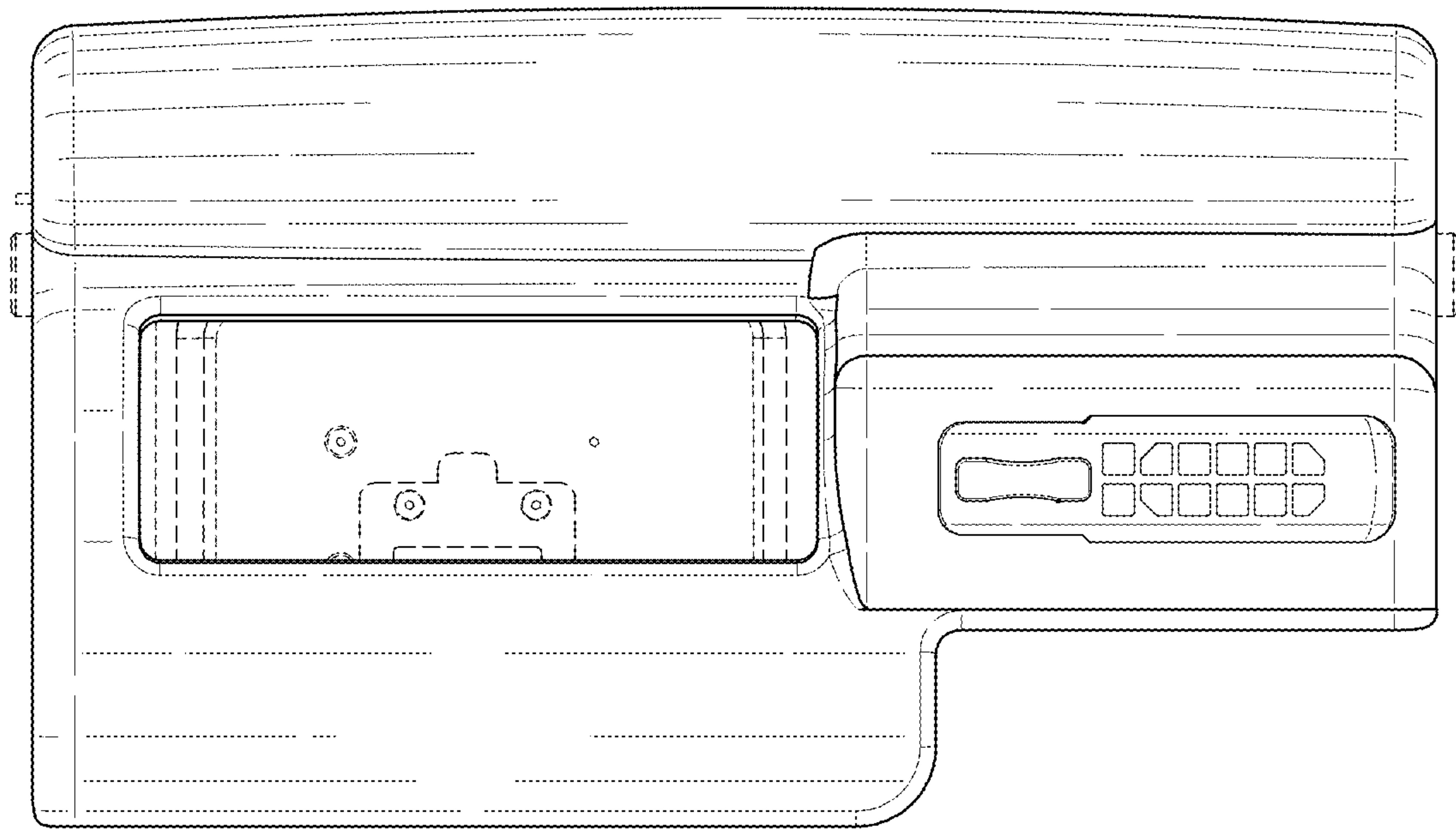


FIG. 15

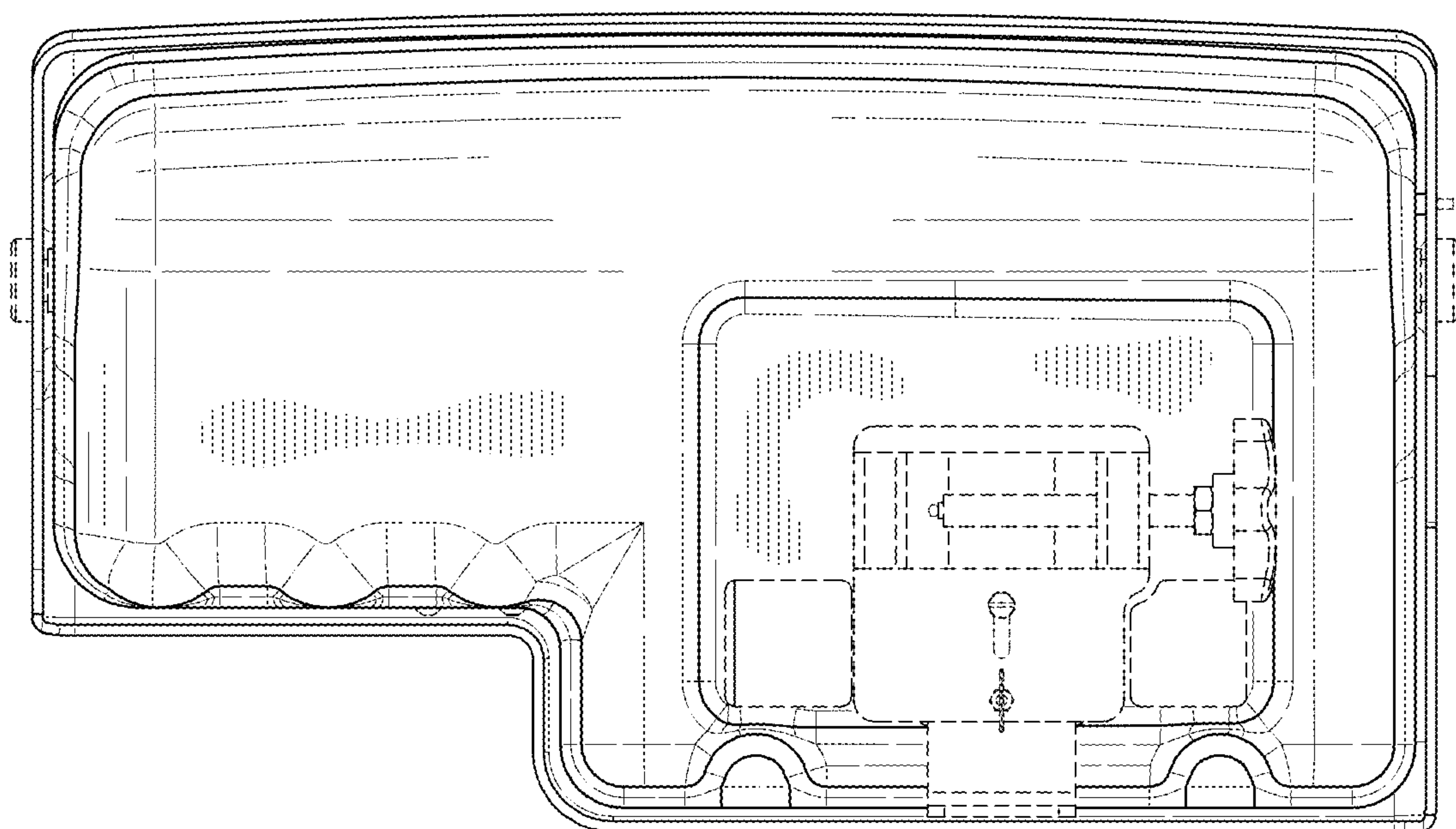


FIG. 16



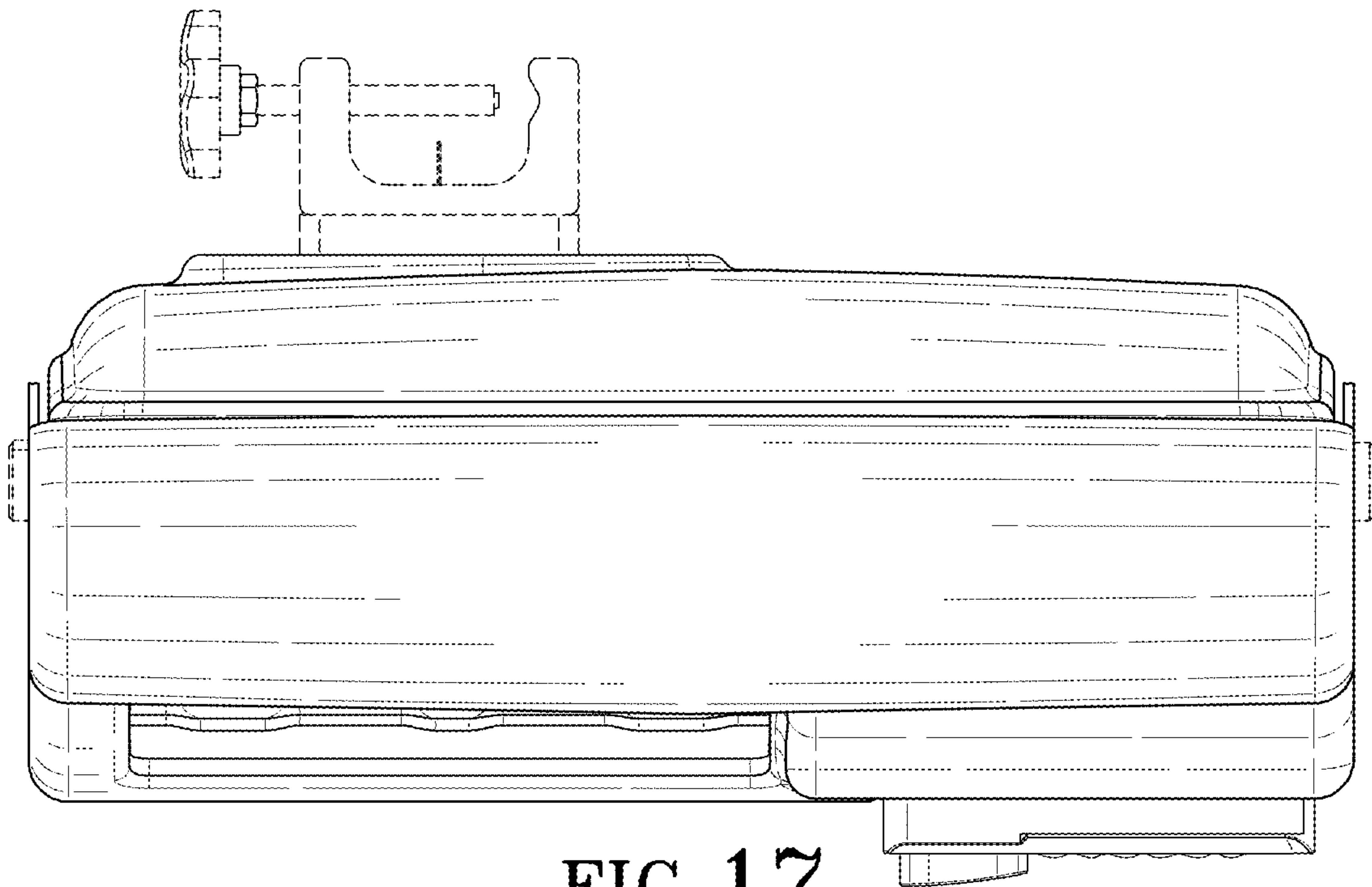


FIG. 17

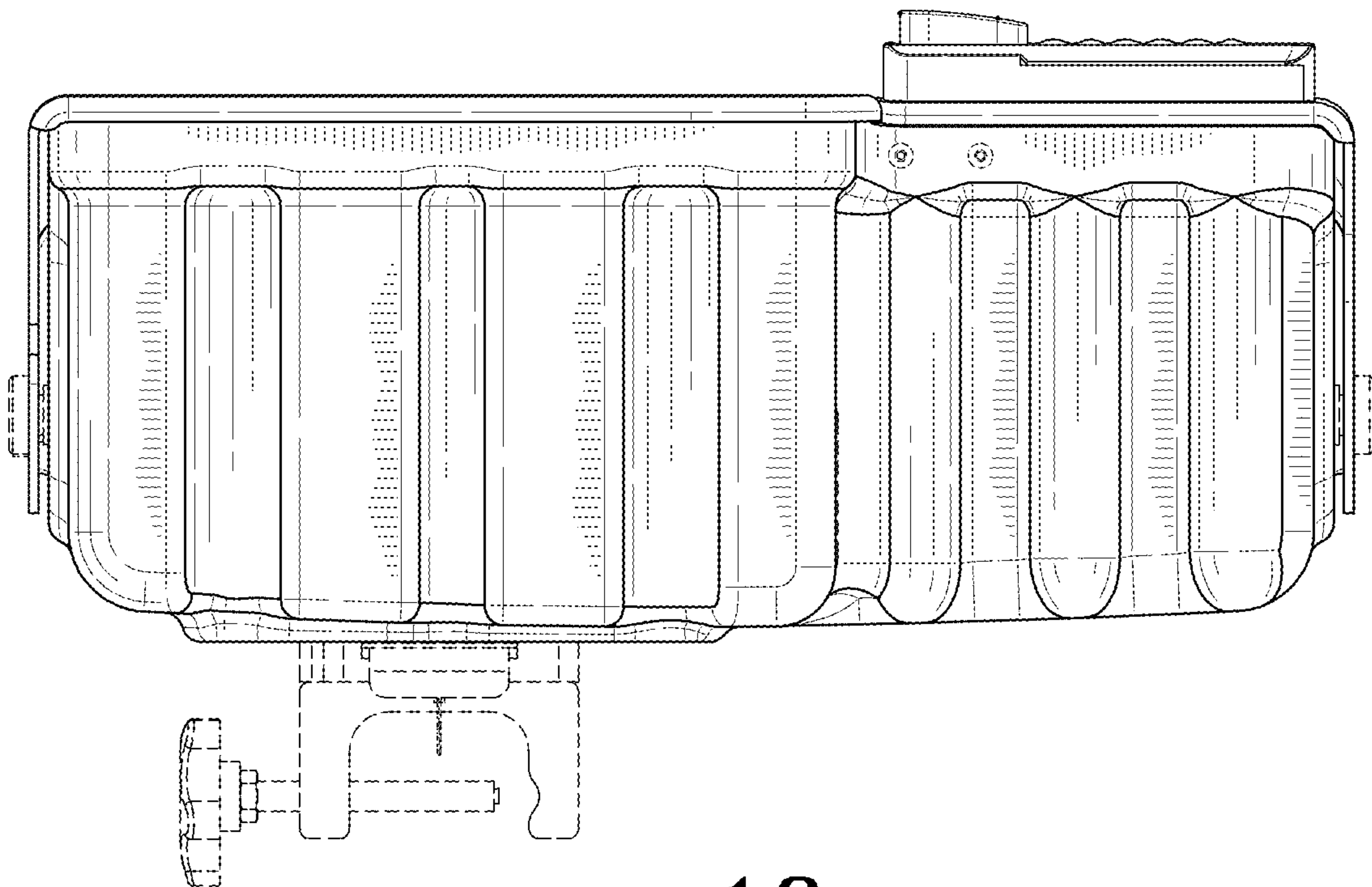


FIG. 18

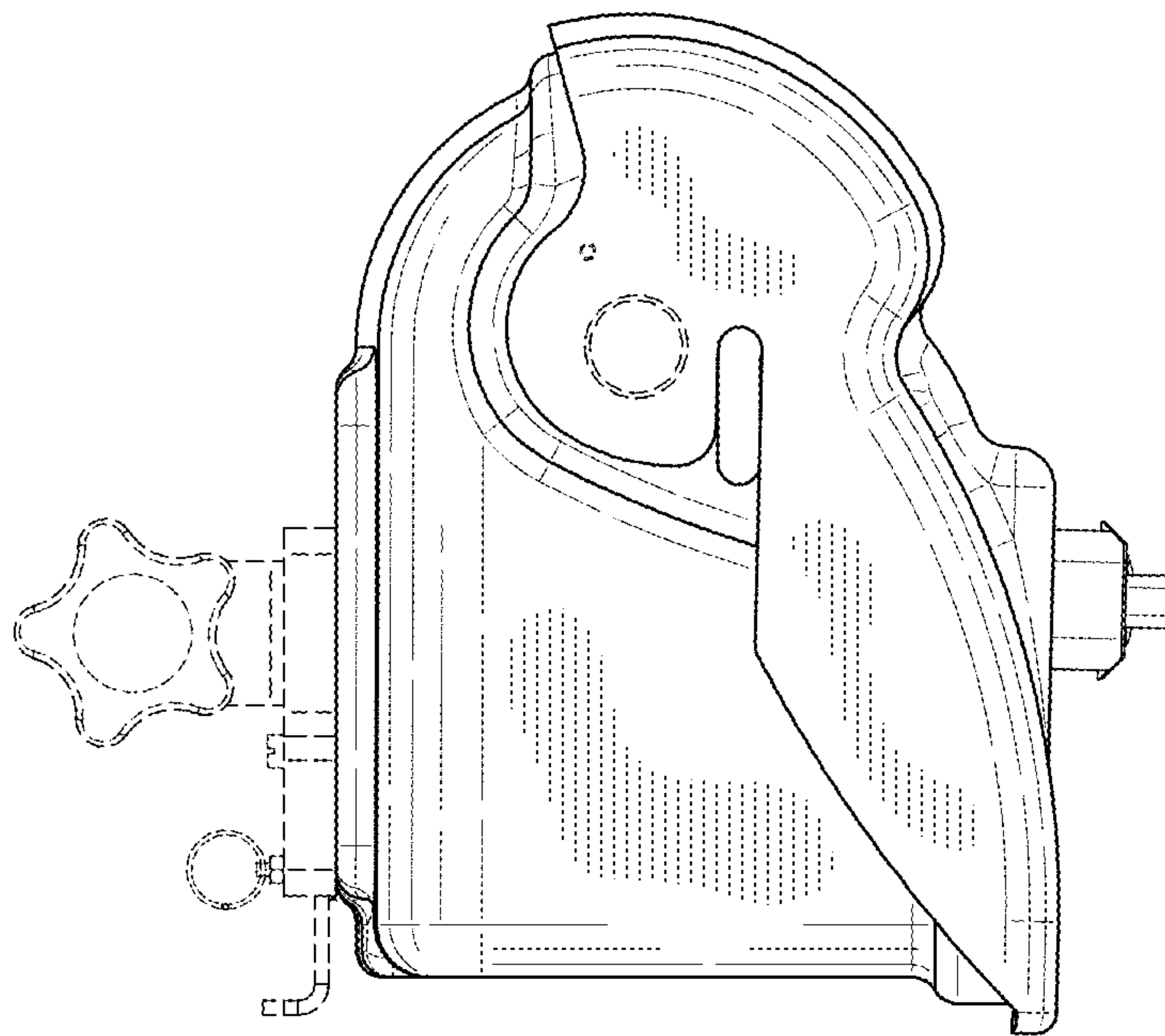


FIG. 19

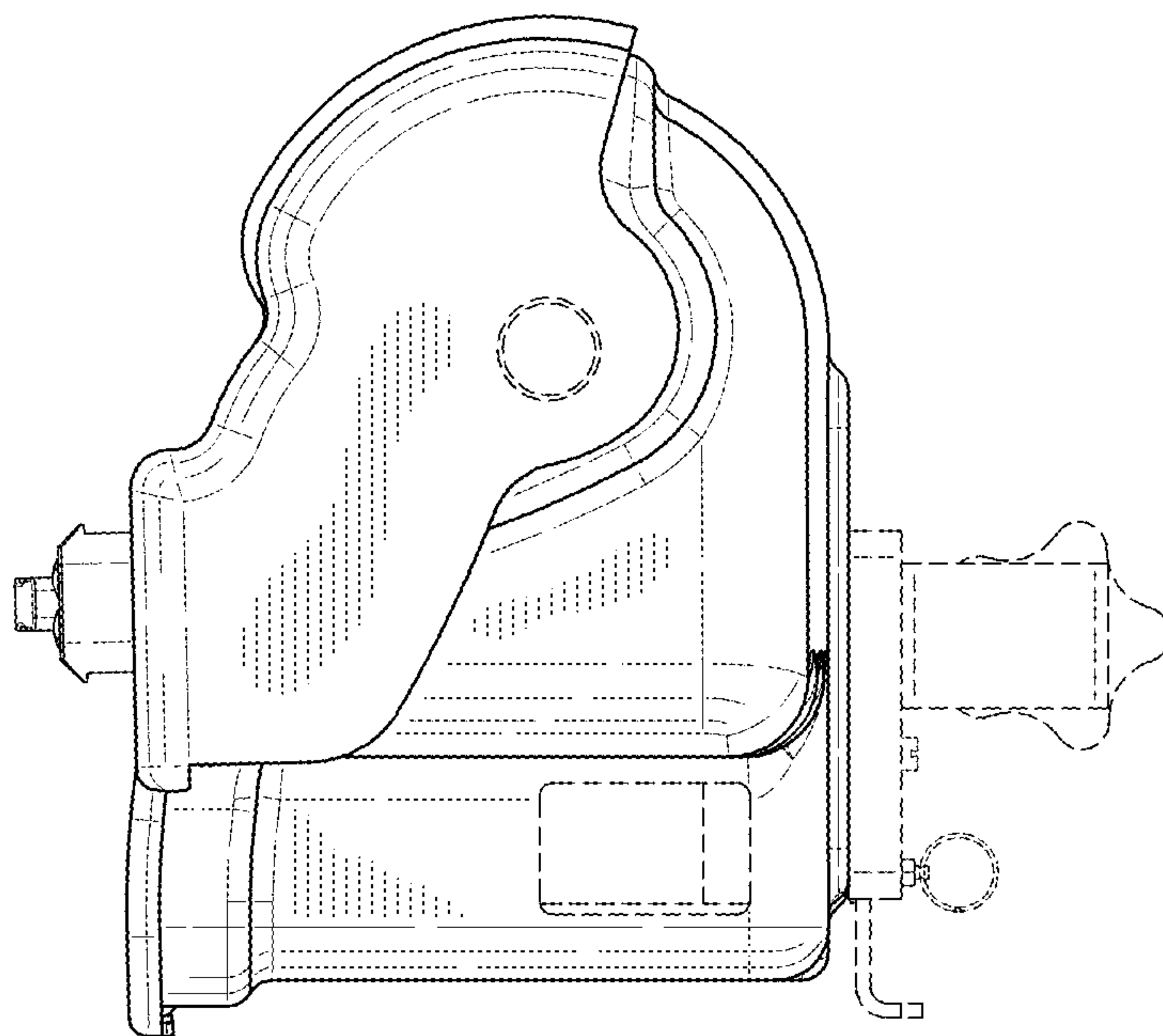


FIG. 20

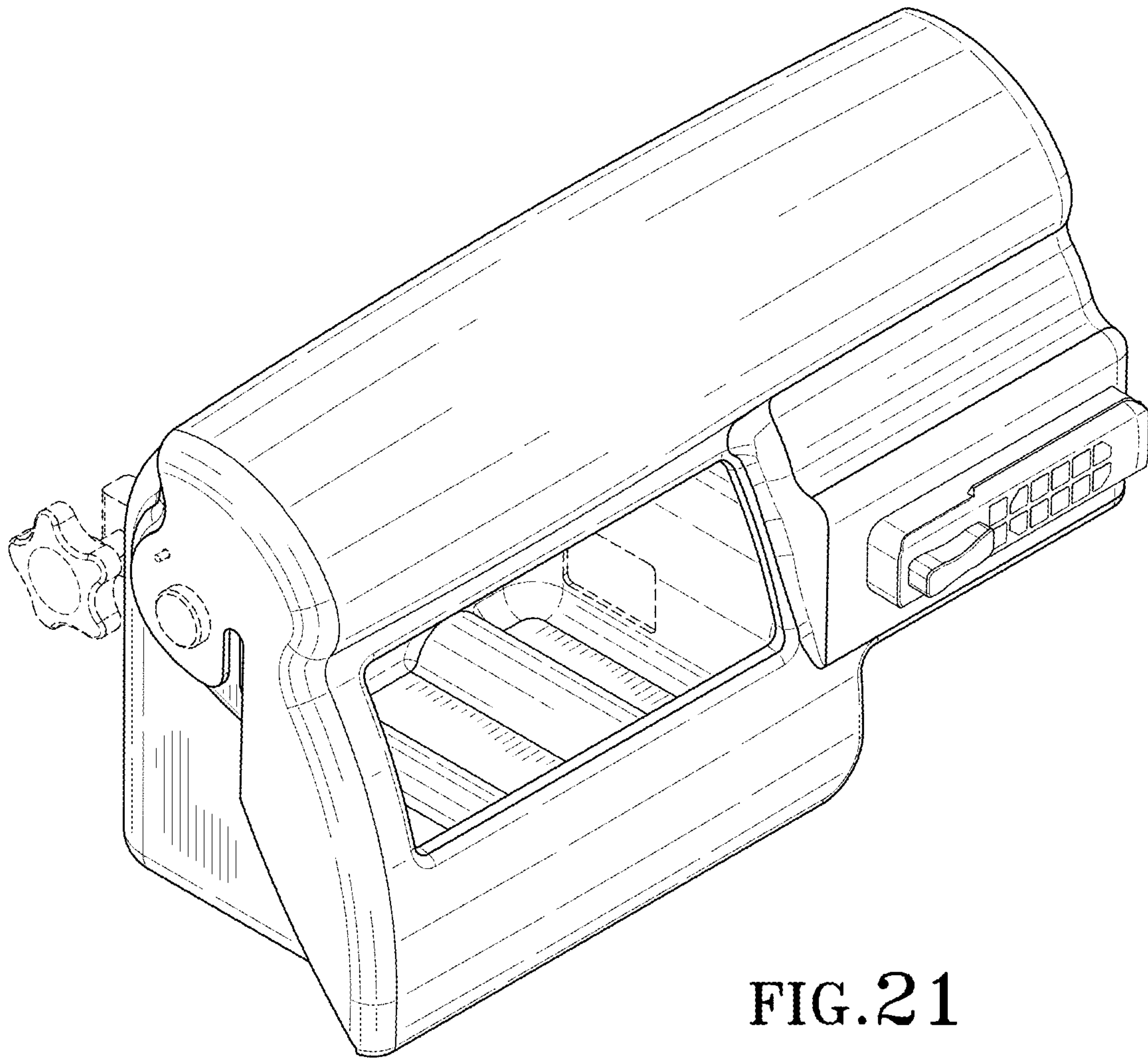


FIG. 21



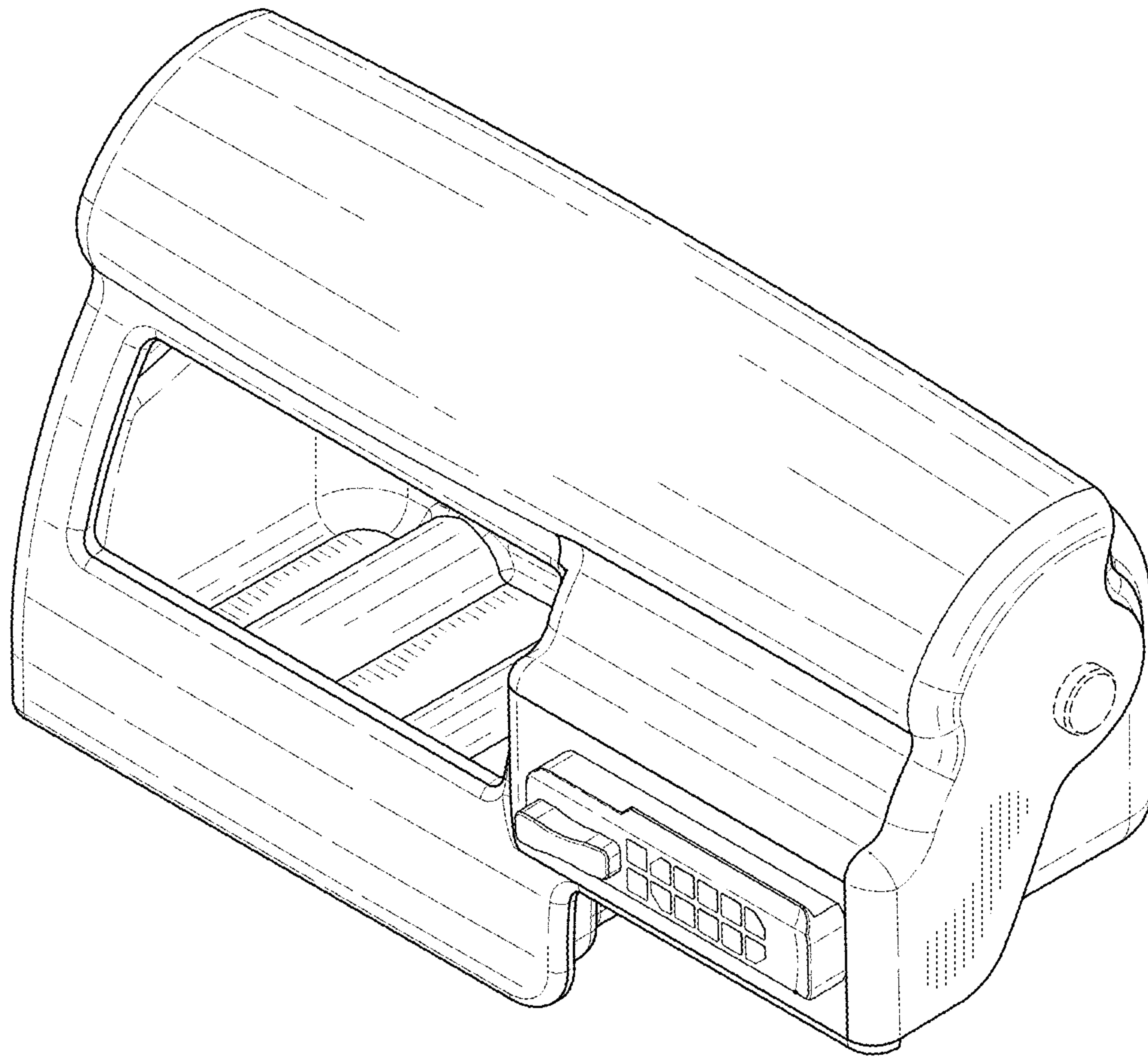


FIG. 22

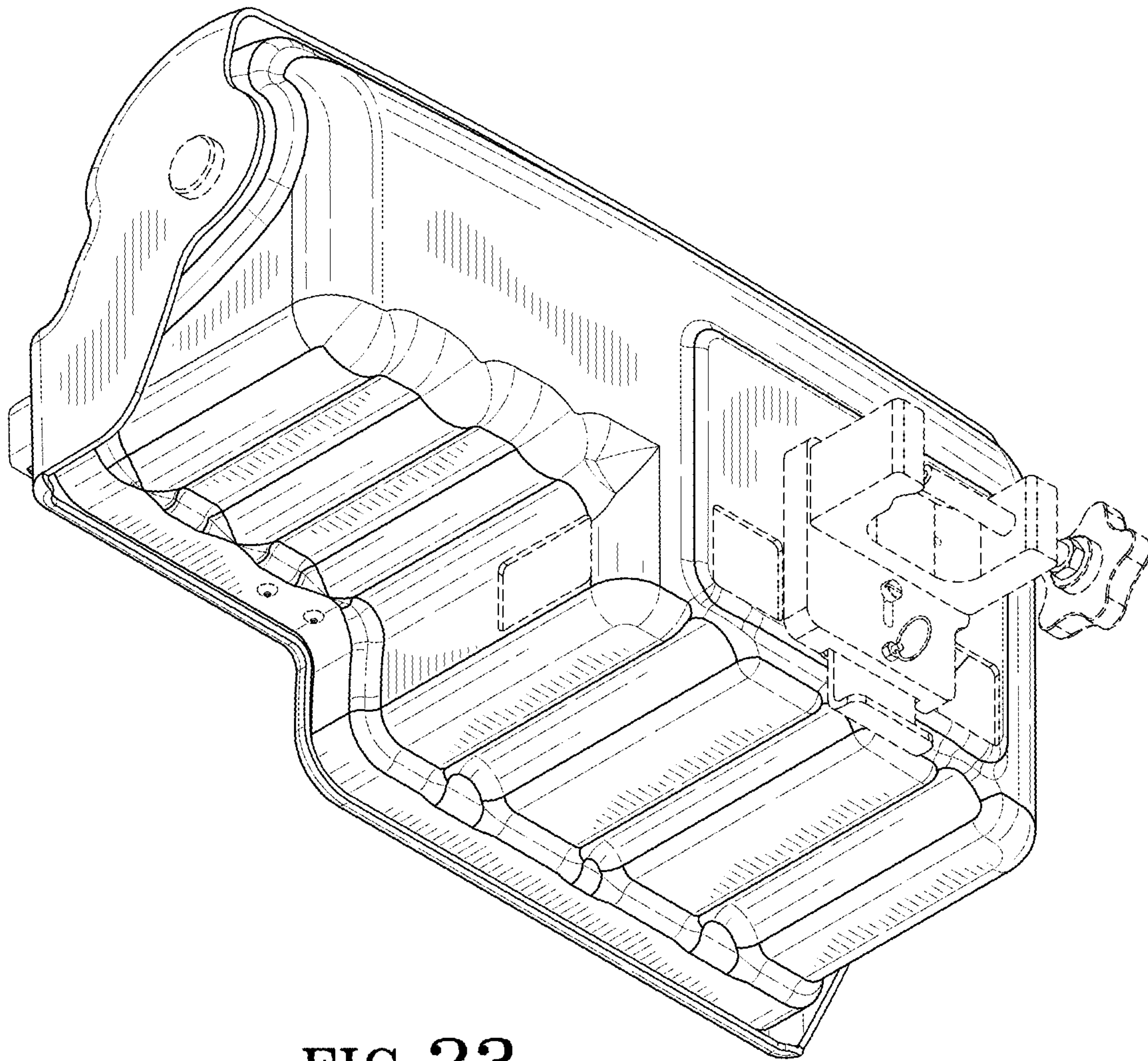


FIG. 23

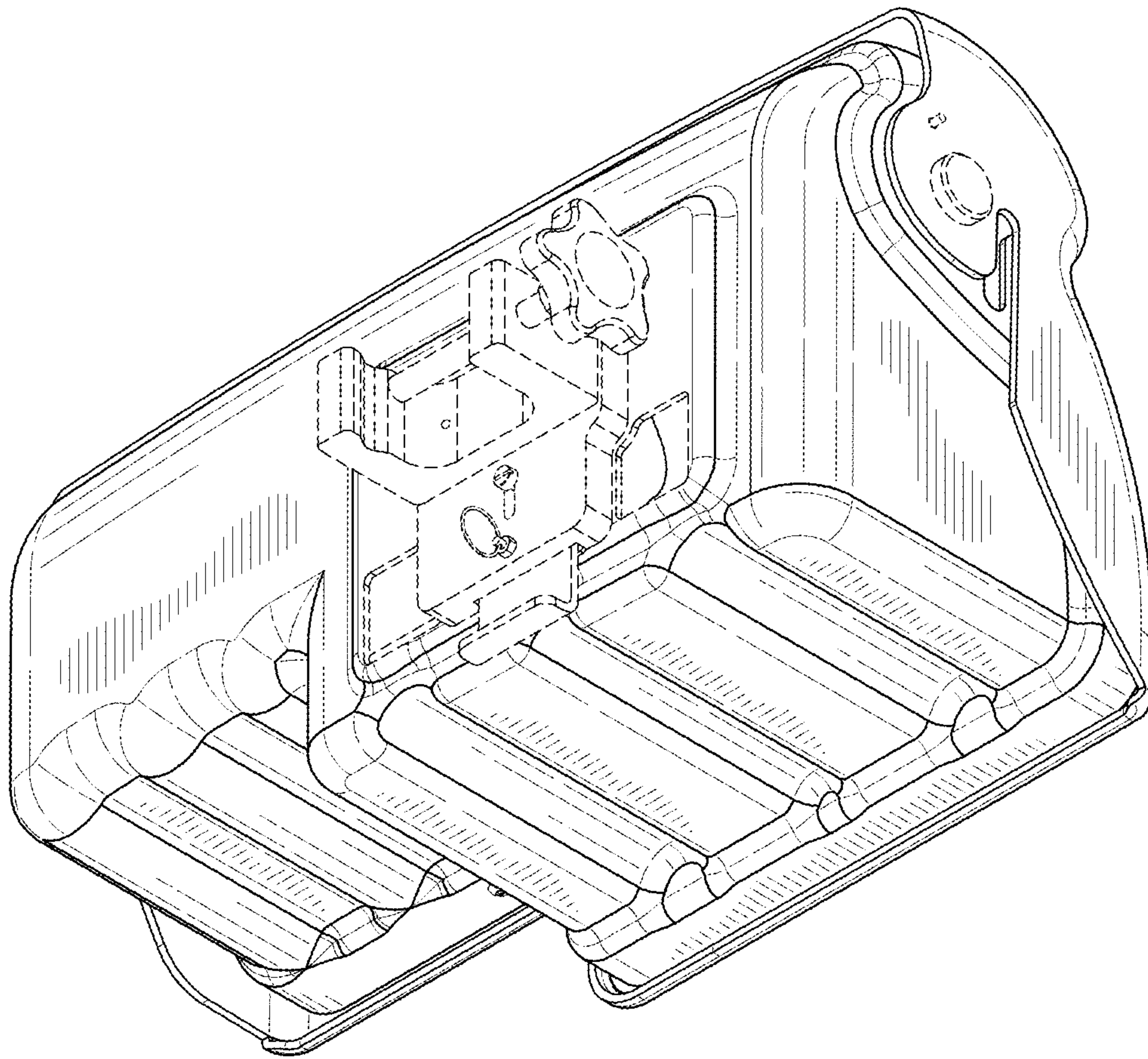


FIG. 24



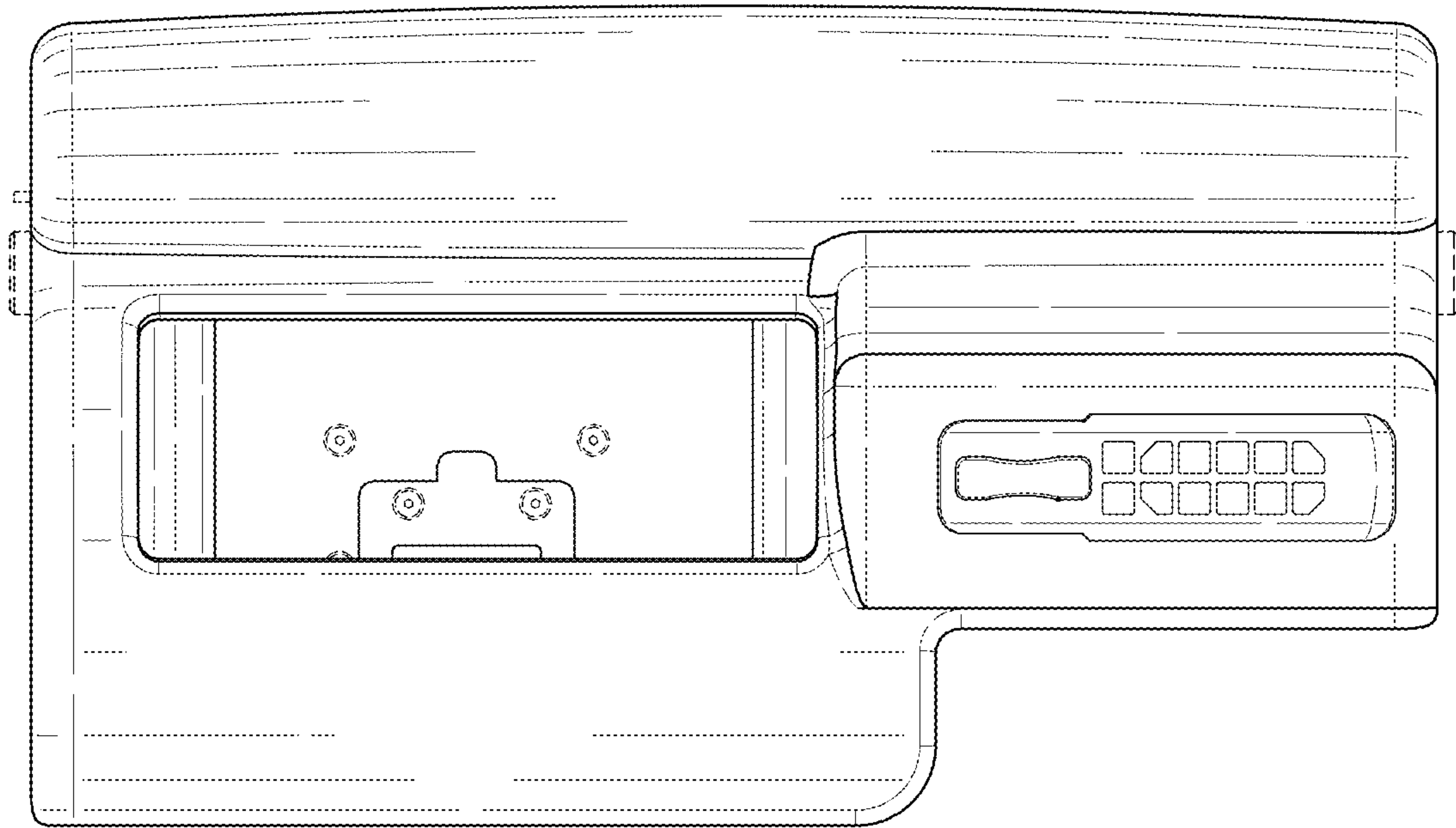


FIG. 25

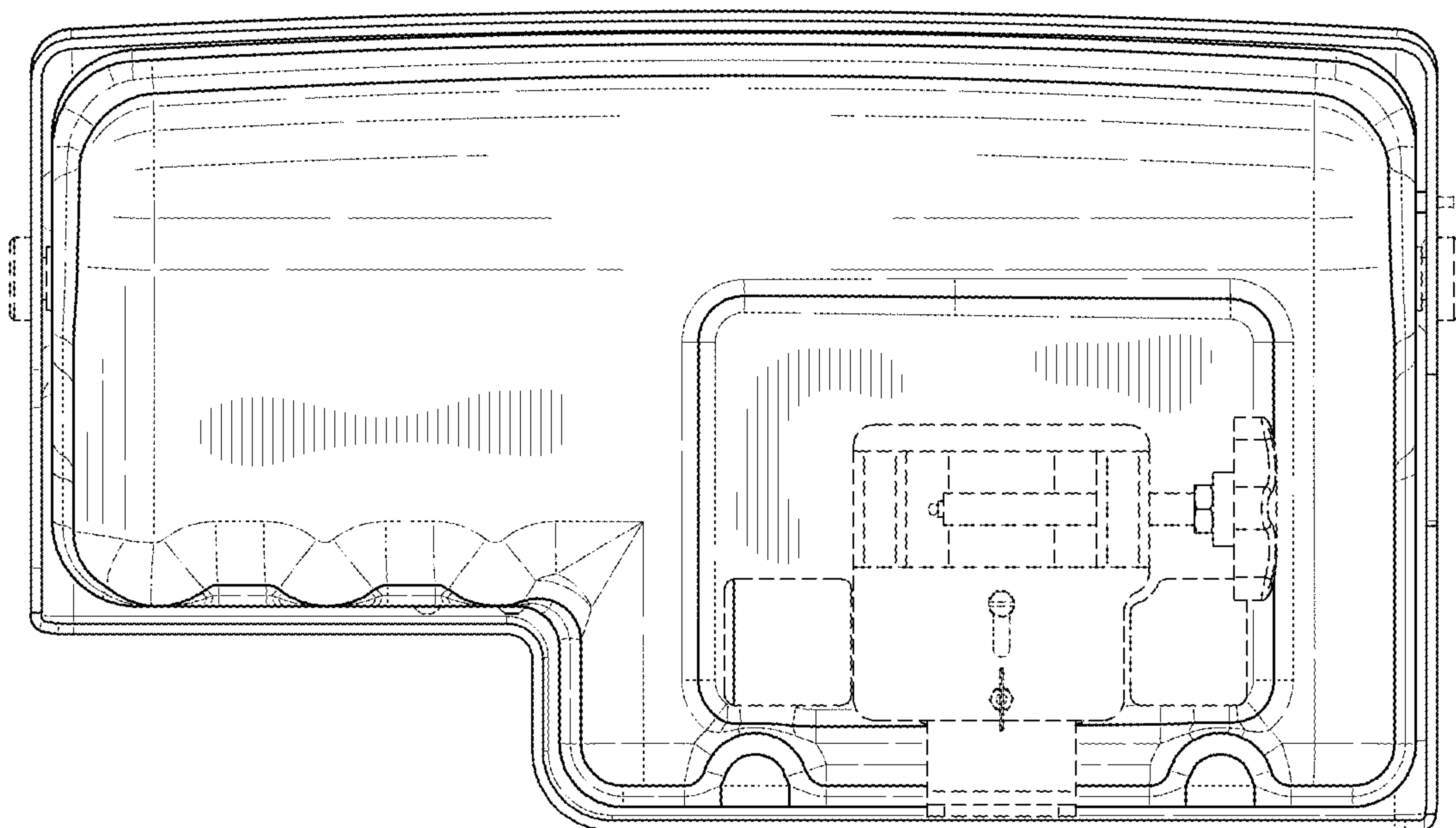


FIG. 26

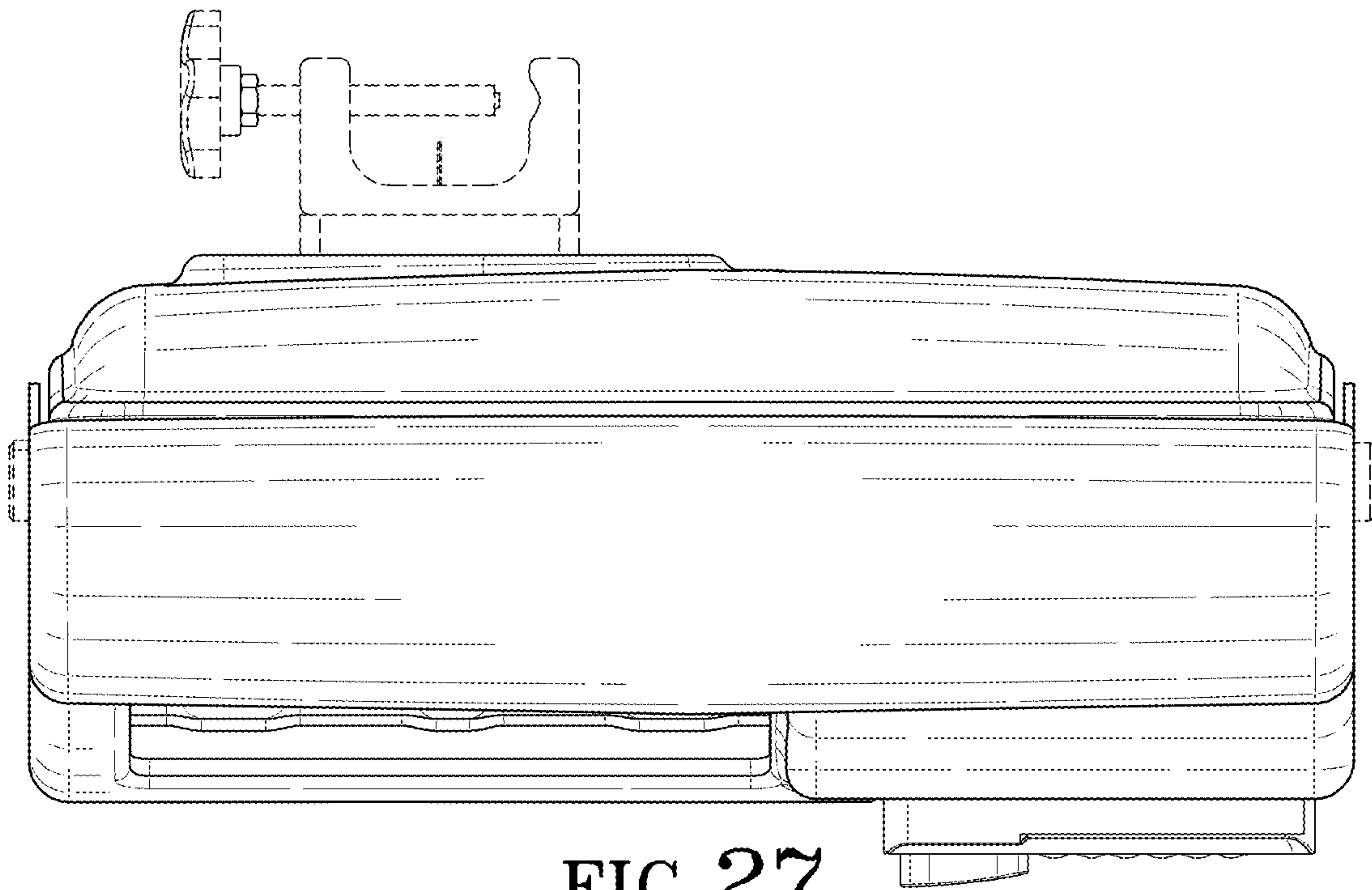


FIG. 27

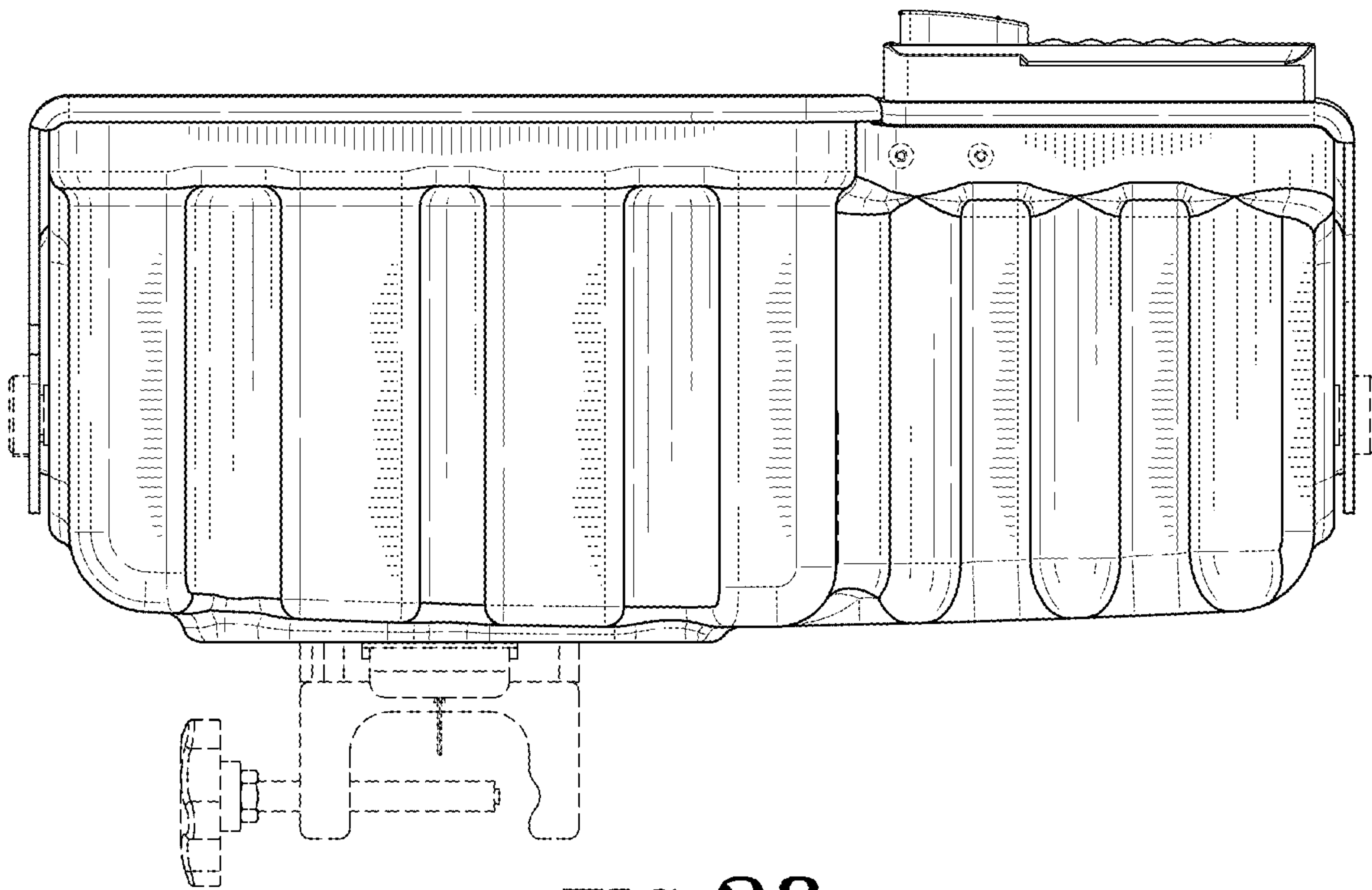


FIG. 28

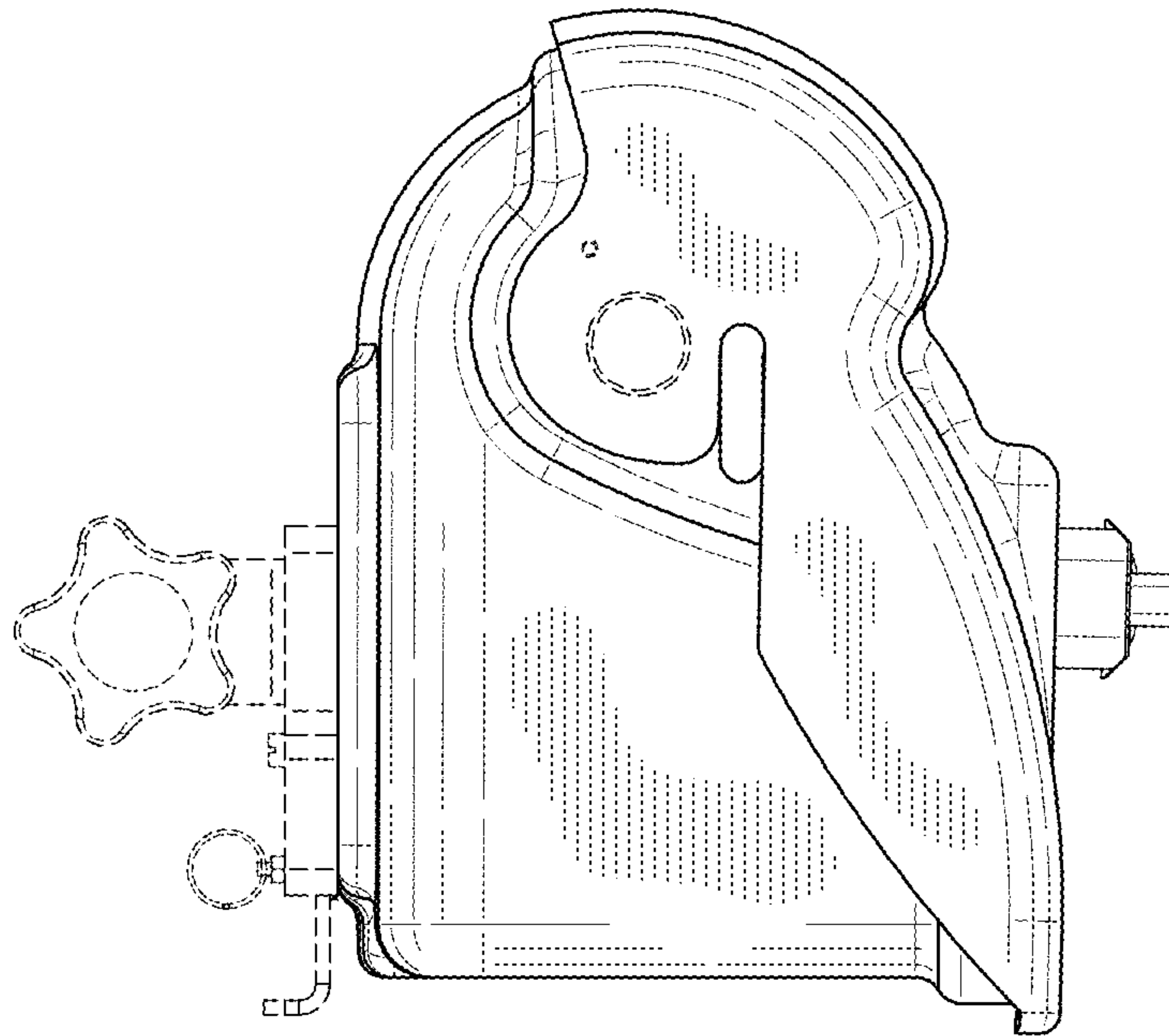


FIG. 29

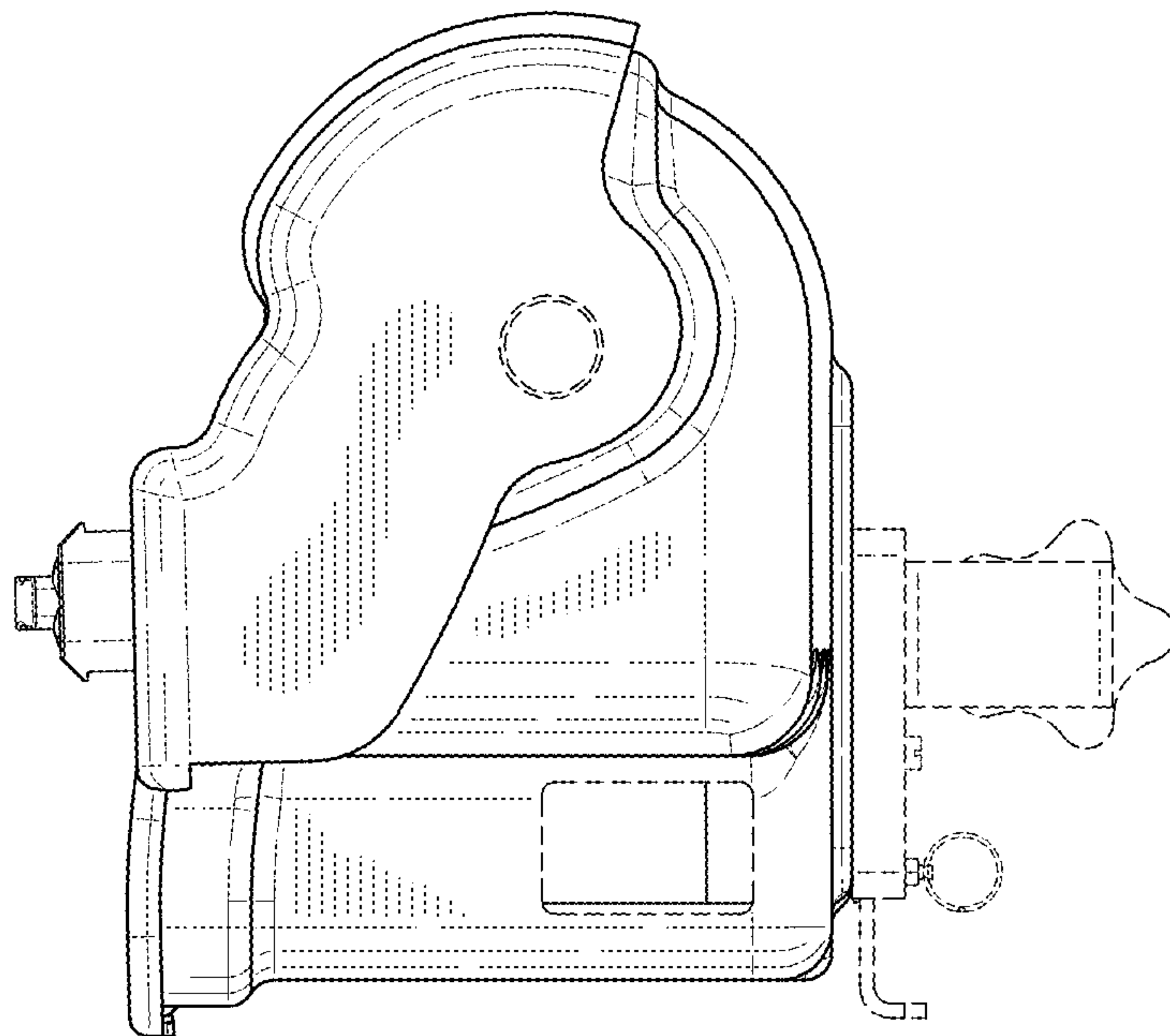


FIG. 30