



US00D937324S

(12) **United States Design Patent** (10) **Patent No.:** **US D937,324 S**
Clouser et al. (45) **Date of Patent:** **** *Nov. 30, 2021**

(54) **PUMP COVER**

(71) Applicant: **Gary L. Sharpe**, Naples, FL (US)

(72) Inventors: **Doug Clouser**, Galloway, OH (US);
Gary L. Sharpe, Naples, FL (US);
Lacey Fenner, Columbus, OH (US);
Brian Dutro, Dublin, OH (US)

(73) Assignee: **Gary L. Sharpe**, Naples, FL (US)

(*) Notice: This patent is subject to a terminal disclaimer.

(**) Term: **15 Years**

(21) Appl. No.: **29/716,214**

(22) Filed: **Dec. 6, 2019**

Related U.S. Application Data

(63) Continuation-in-part of application No. 29/671,927, filed on Nov. 30, 2018, now Pat. No. Des. 885,441.

(51) **LOC (13) Cl.** **15-02**

(52) **U.S. Cl.**
USPC **D15/7**

(58) **Field of Classification Search**
USPC D15/7-9; D23/231, 232, 225
(Continued)

(56) **References Cited**

U.S. PATENT DOCUMENTS

3,635,344 A * 1/1972 Lovitz E04H 4/1209
210/167.27
D231,132 S * 4/1974 Lovitz D15/7
(Continued)

Primary Examiner — Mitchell I. Siegel

(74) *Attorney, Agent, or Firm* — Standley Law Group
LLP; Jeffrey Standley; Jeffrey Norris

(57) **CLAIM**

The ornamental design for a pump cover, as shown and described.

DESCRIPTION

FIG. 1 is a top, front, and left side perspective view of a pump cover.

FIG. 2 is a top, front, and right side perspective view of the pump cover of FIG. 1.

FIG. 3 is a bottom, rear, and right side perspective view of the pump cover of FIG. 1.

FIG. 4 is a bottom, rear, and left side perspective view of the pump cover of FIG. 1.

FIG. 5 is a front elevation view of the pump cover of FIG. 1.

FIG. 6 is a rear elevation view of the pump cover of FIG. 1.

FIG. 7 is a top plan view of the pump cover of FIG. 1.

FIG. 8 is a bottom plan view of the pump cover of FIG. 1.

FIG. 9 is a left end elevation view of the pump cover of FIG. 1.

FIG. 10 is a right end elevation view of the pump cover of FIG. 1.

FIG. 11 is a top, front, and left side perspective view of a second embodiment of a pump cover.

FIG. 12 is a top, front, and right side perspective view of the pump cover of FIG. 11.

FIG. 13 is a bottom, rear, and right side perspective view of the pump cover of FIG. 11.

FIG. 14 is a bottom, rear, and left side perspective view of the pump cover of FIG. 11.

FIG. 15 is a front elevation view of the pump cover of FIG. 11.

FIG. 16 is a rear elevation view of the pump cover of FIG. 11.

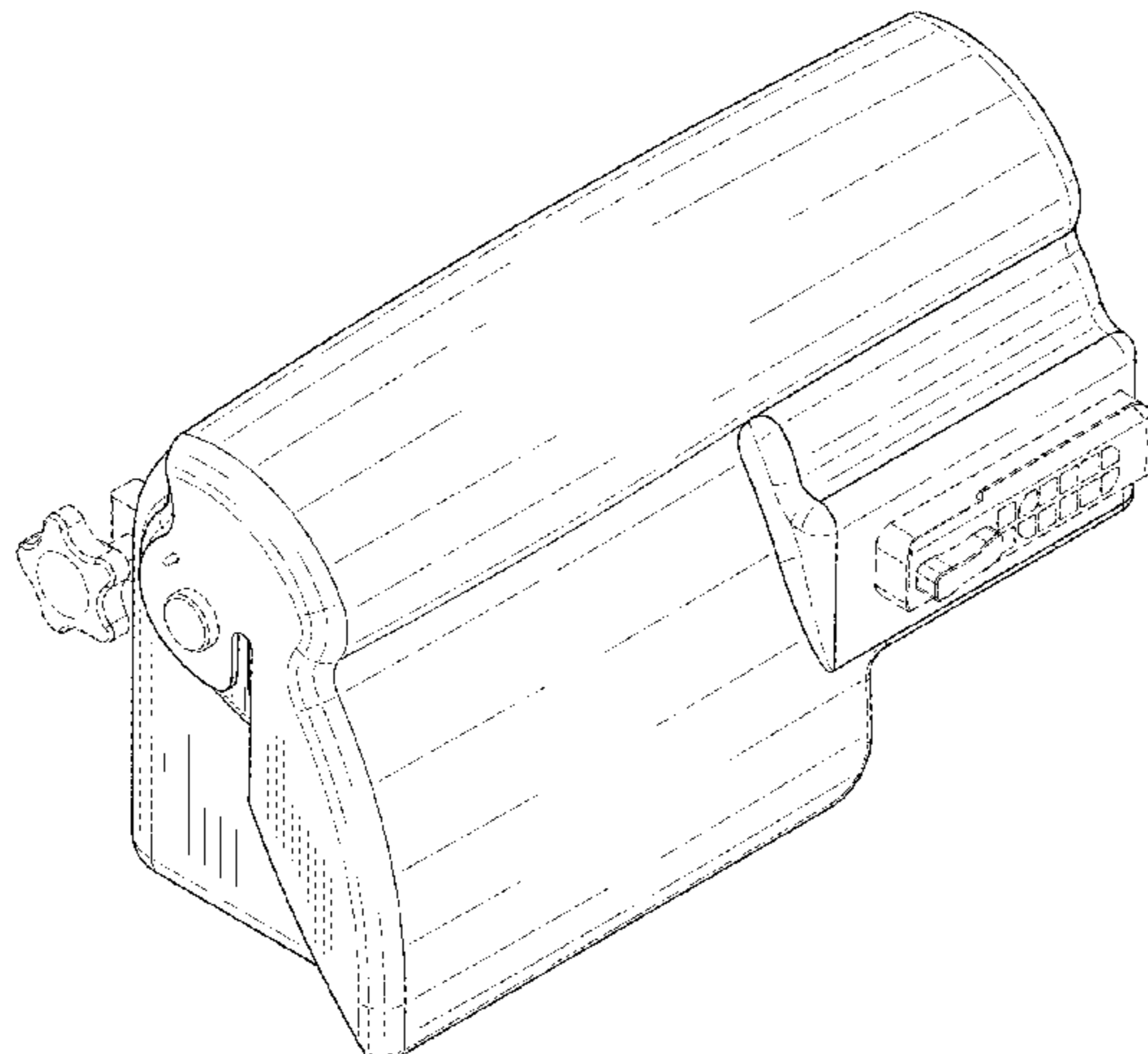
FIG. 17 is a top plan view of the pump cover of FIG. 11.

FIG. 18 is a bottom plan view of the pump cover of FIG. 11.

FIG. 19 is a left end elevation view of the pump cover of FIG. 11; and,

FIG. 20 is a right end elevation view of the pump cover of FIG. 11.

(Continued)



The broken lines in the drawings depict portions of a pump cover that form no part of the claimed design.

1 Claim, 14 Drawing Sheets

(58) Field of Classification Search

CPC F02M 37/04; F02M 37/14; F04B 53/92;
F04B 1/005; B29C 47/92; B29C 47/0026
See application file for complete search history.

(56) References Cited

U.S. PATENT DOCUMENTS

D249,264 S *	9/1978	Bingler	D15/7
D382,882 S *	8/1997	Parker	D15/7
D385,889 S *	11/1997	Kullas	D15/7
D487,471 S *	3/2004	Rivera	D15/7
D589,533 S *	3/2009	Anderson	D15/8
D598,472 S *	8/2009	Anderson	D15/7
D602,501 S *	10/2009	Ton	D15/7
D602,960 S *	10/2009	Bukoski	D15/9
D611,504 S *	3/2010	Ton	D15/7
D618,706 S *	6/2010	Coleman	D15/7
D700,916 S *	3/2014	Kieffer	D15/7
D709,920 S *	7/2014	Tristano	D15/7
D727,363 S *	4/2015	Carpenter	D15/7
D744,003 S *	11/2015	Ton	D15/7
D793,454 S *	8/2017	Perez	D15/7
D804,981 S *	12/2017	Pohl	D11/7
D826,284 S *	8/2018	Mead	D15/7
D845,351 S *	4/2019	Yamaguchi	D15/7
D885,441 S *	5/2020	Sharpe	D15/7

* cited by examiner

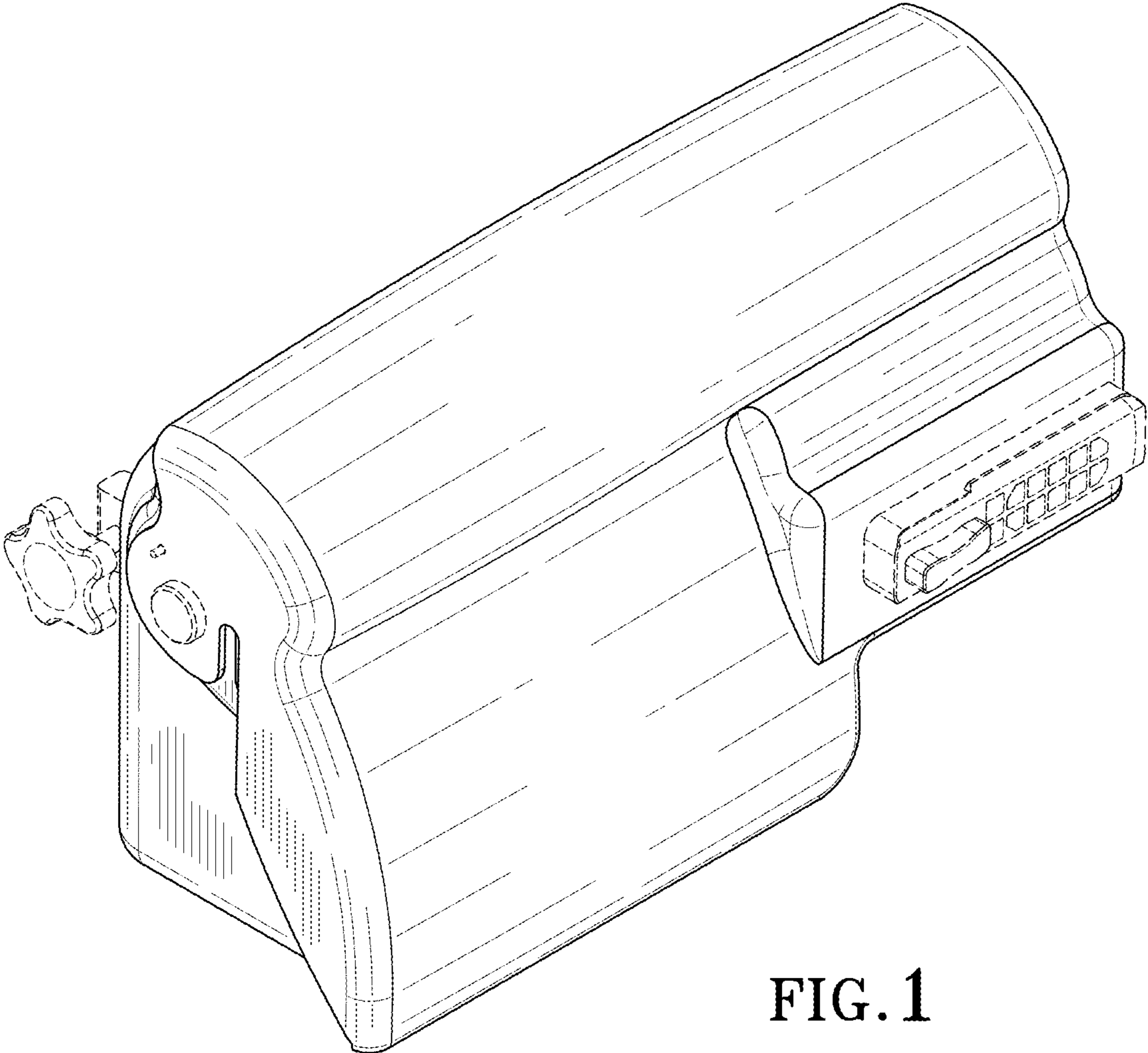


FIG. 1

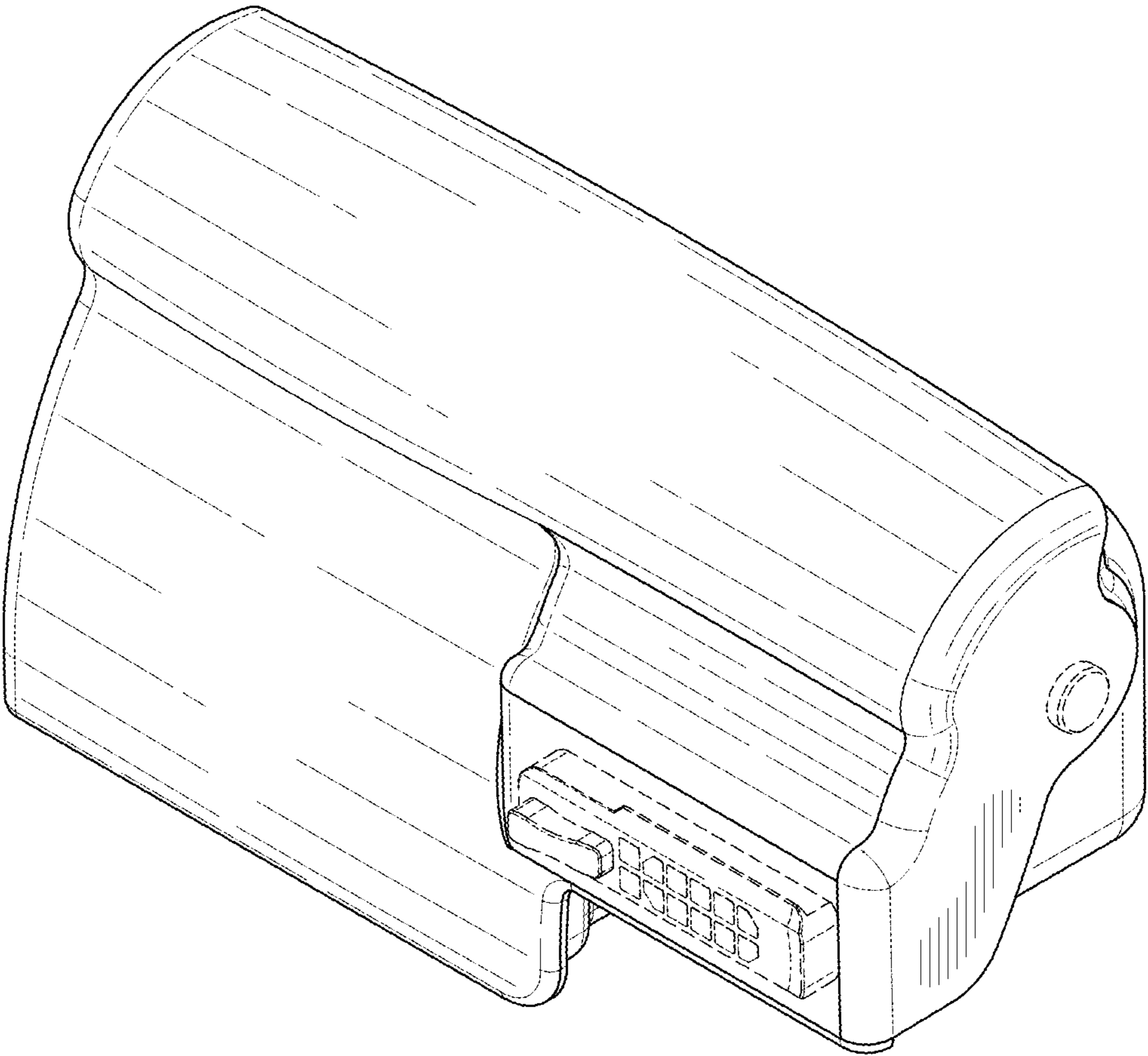


FIG. 2

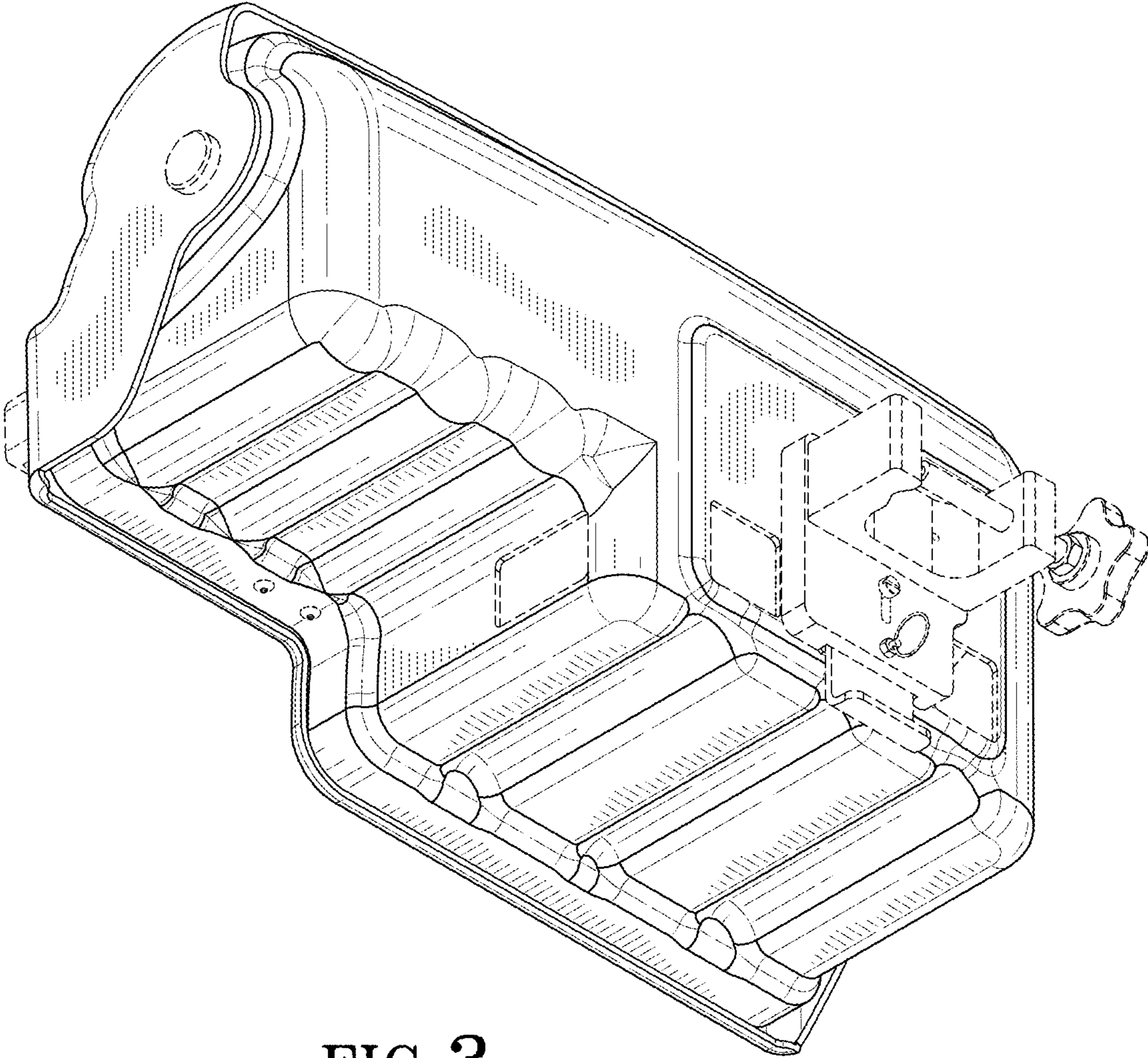


FIG. 3

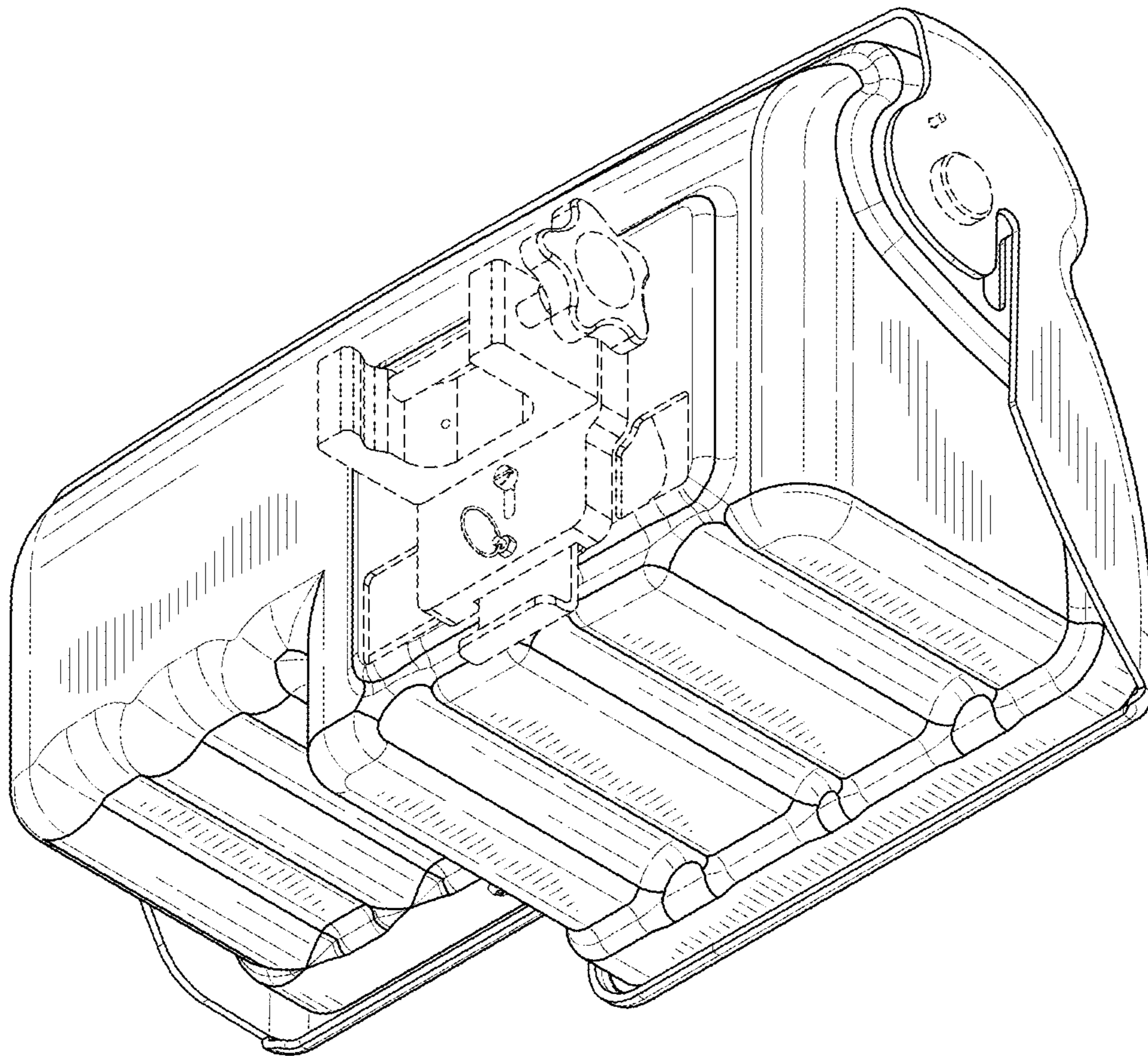


FIG. 4

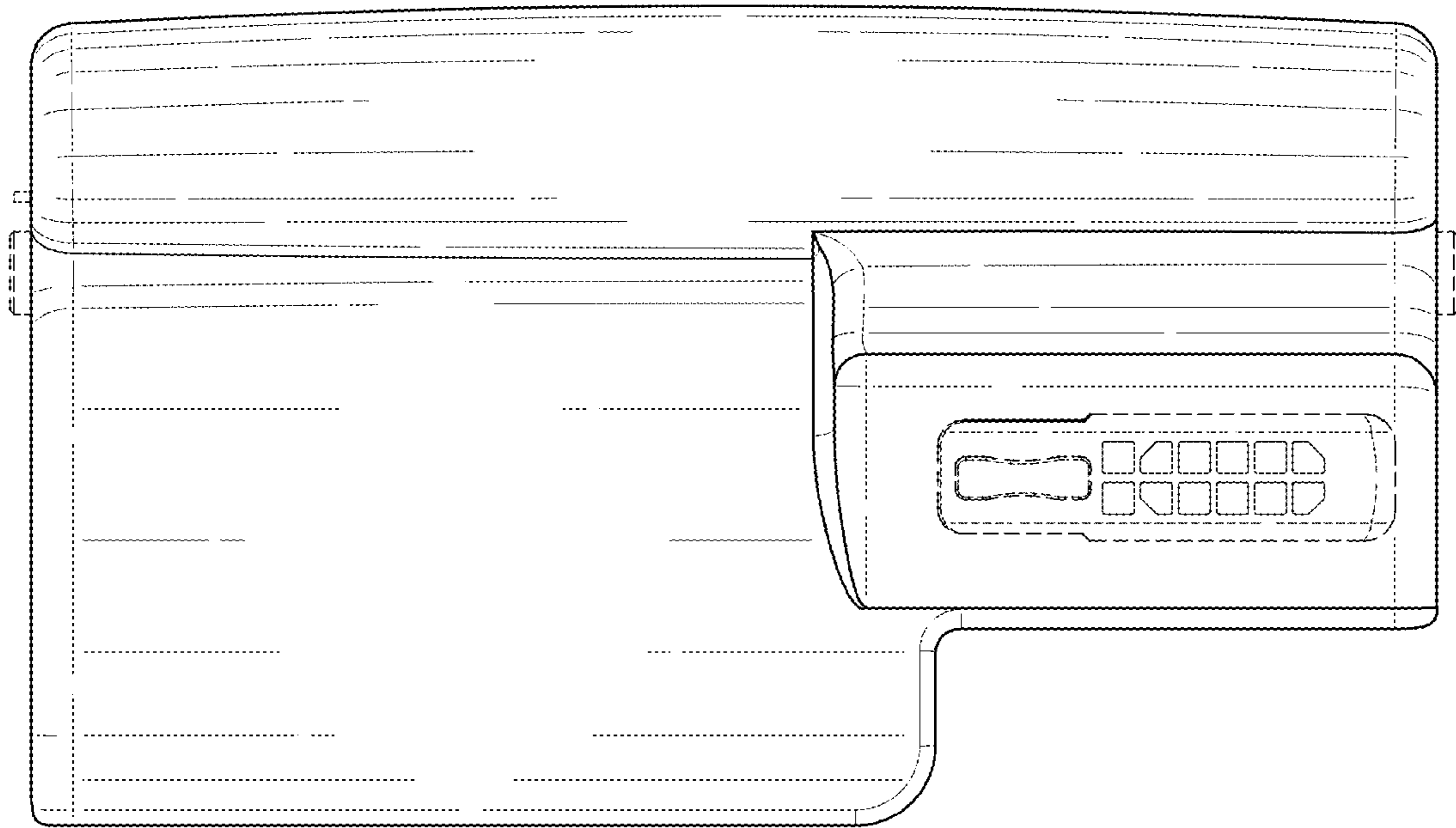


FIG. 5

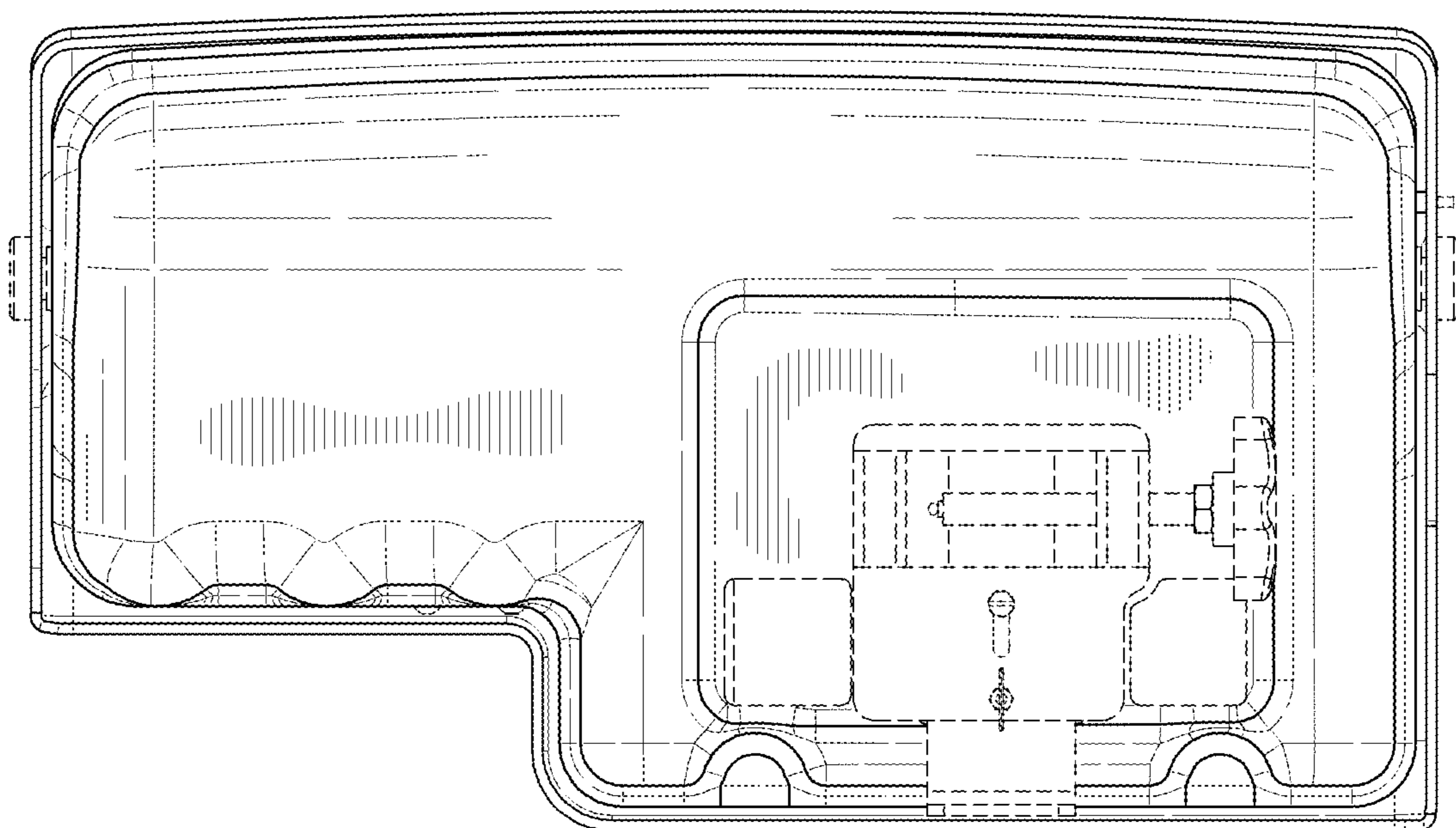


FIG. 6

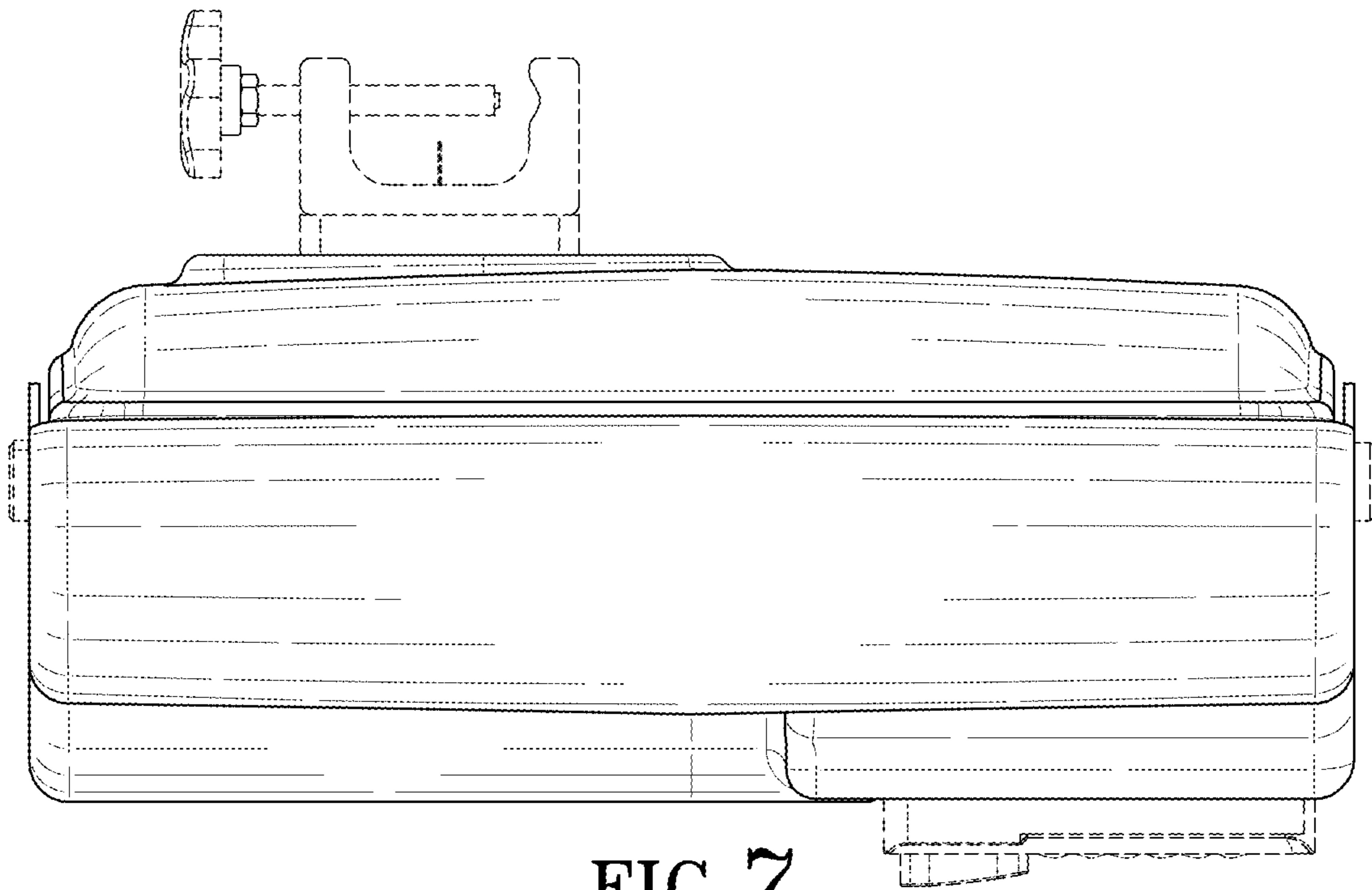


FIG. 7

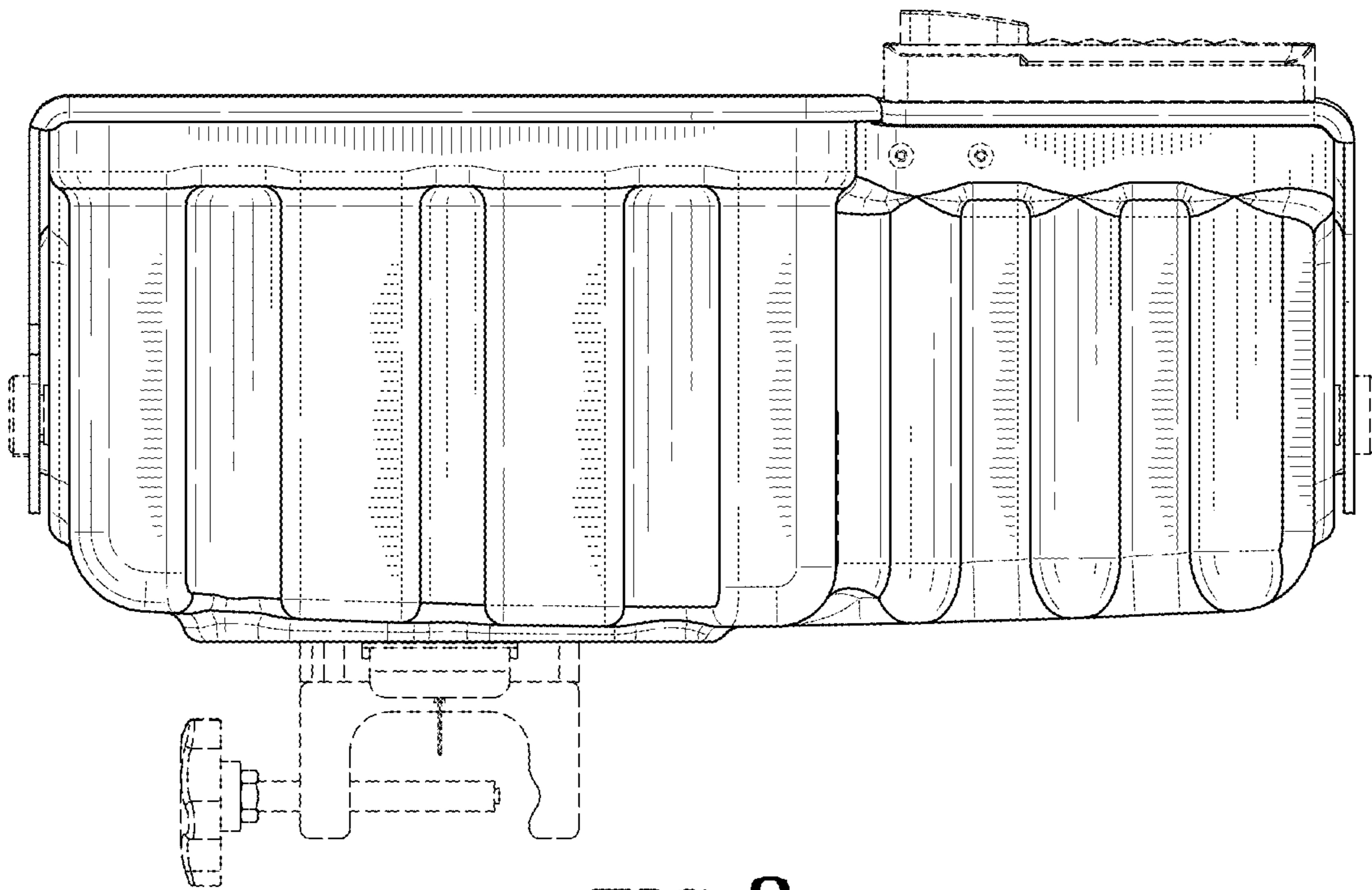


FIG. 8

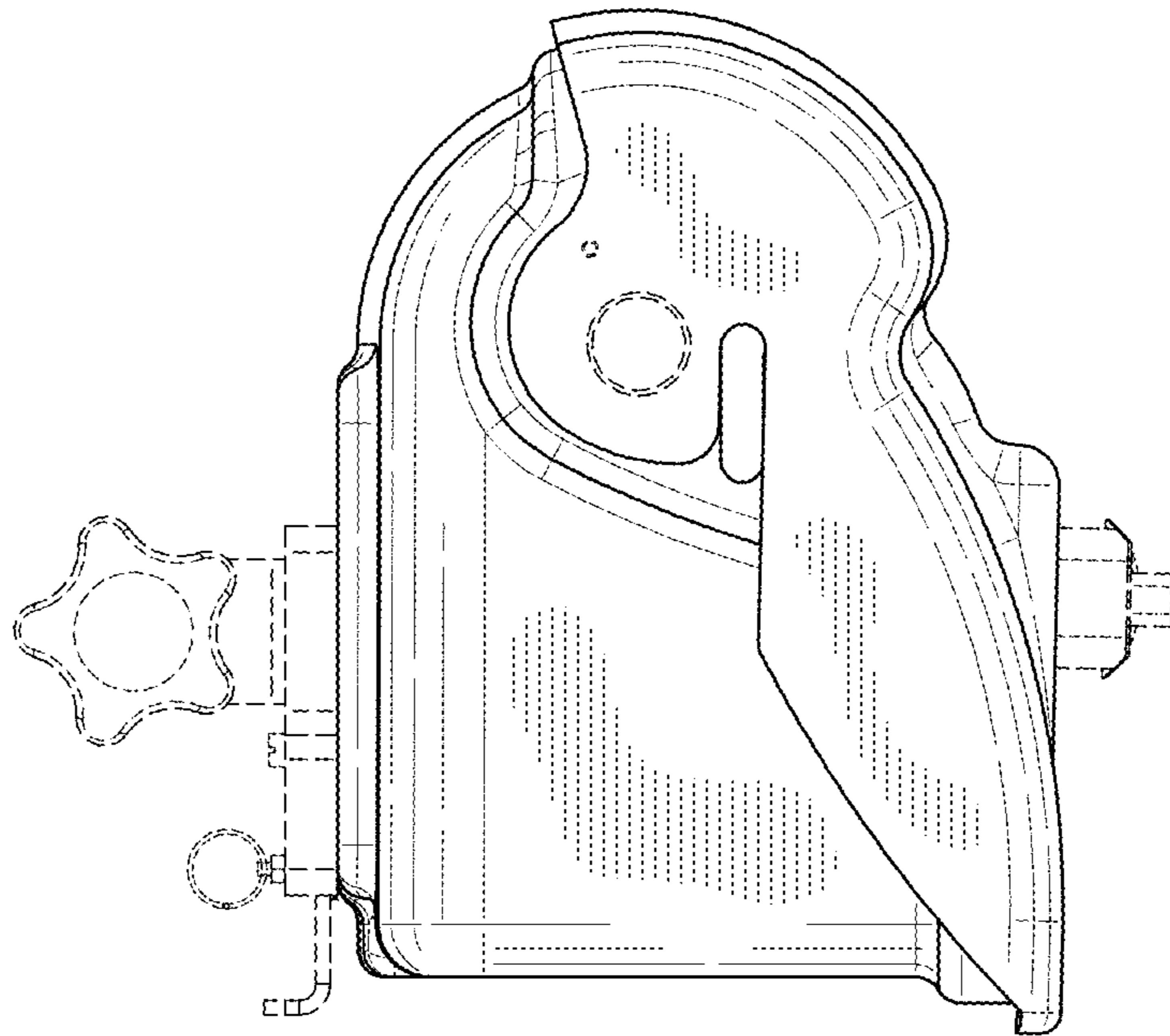


FIG. 9

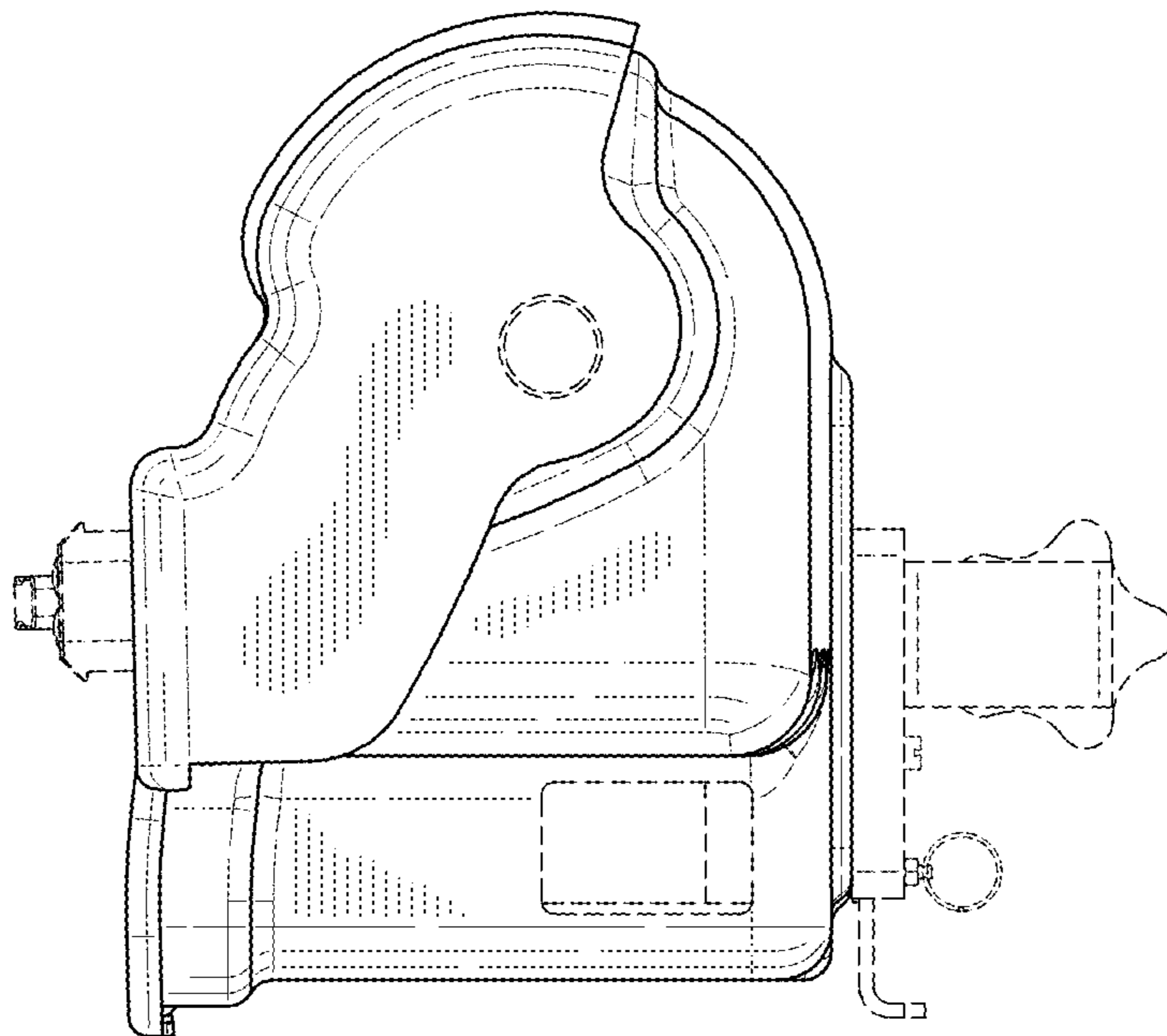


FIG. 10

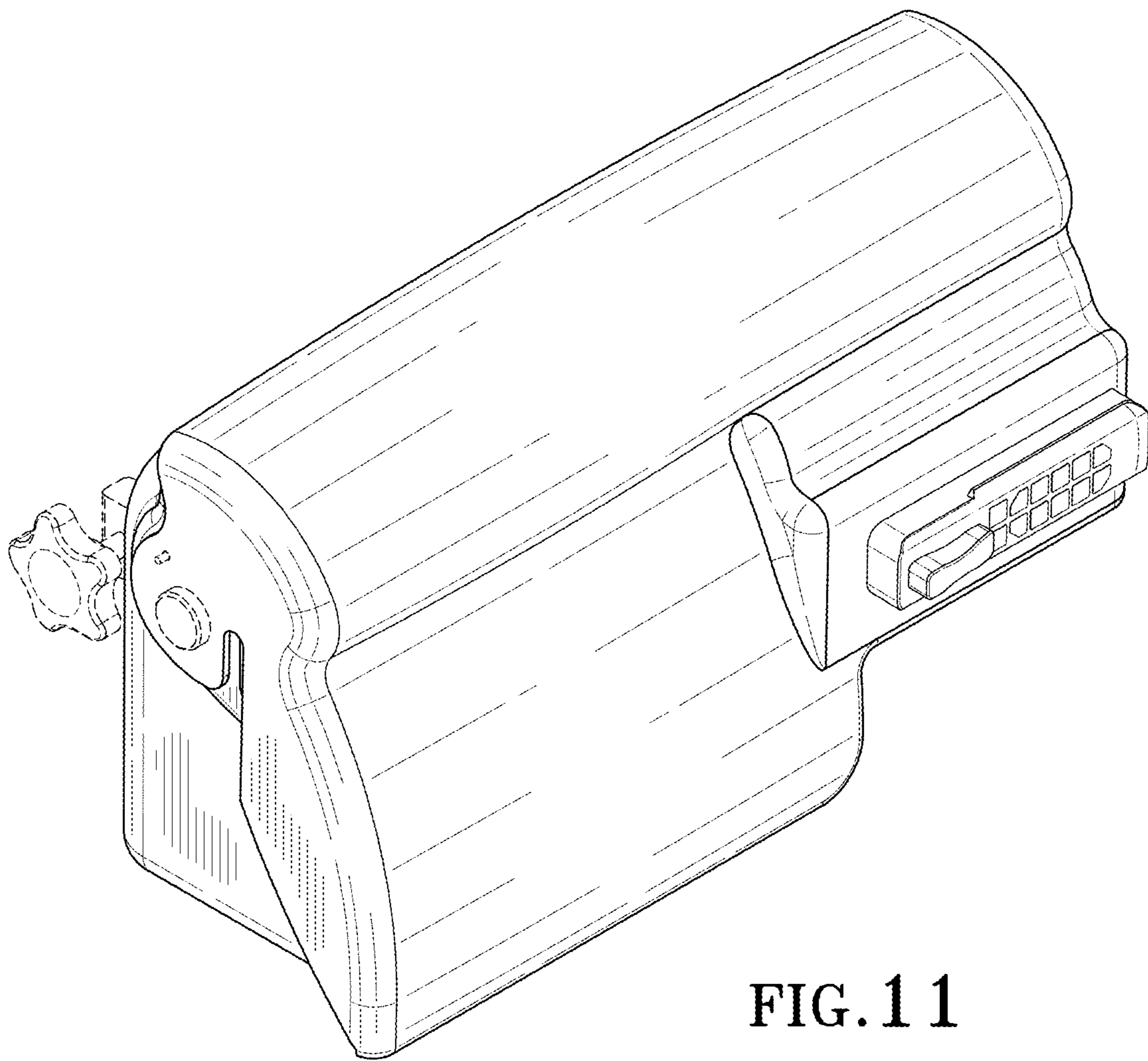


FIG. 11

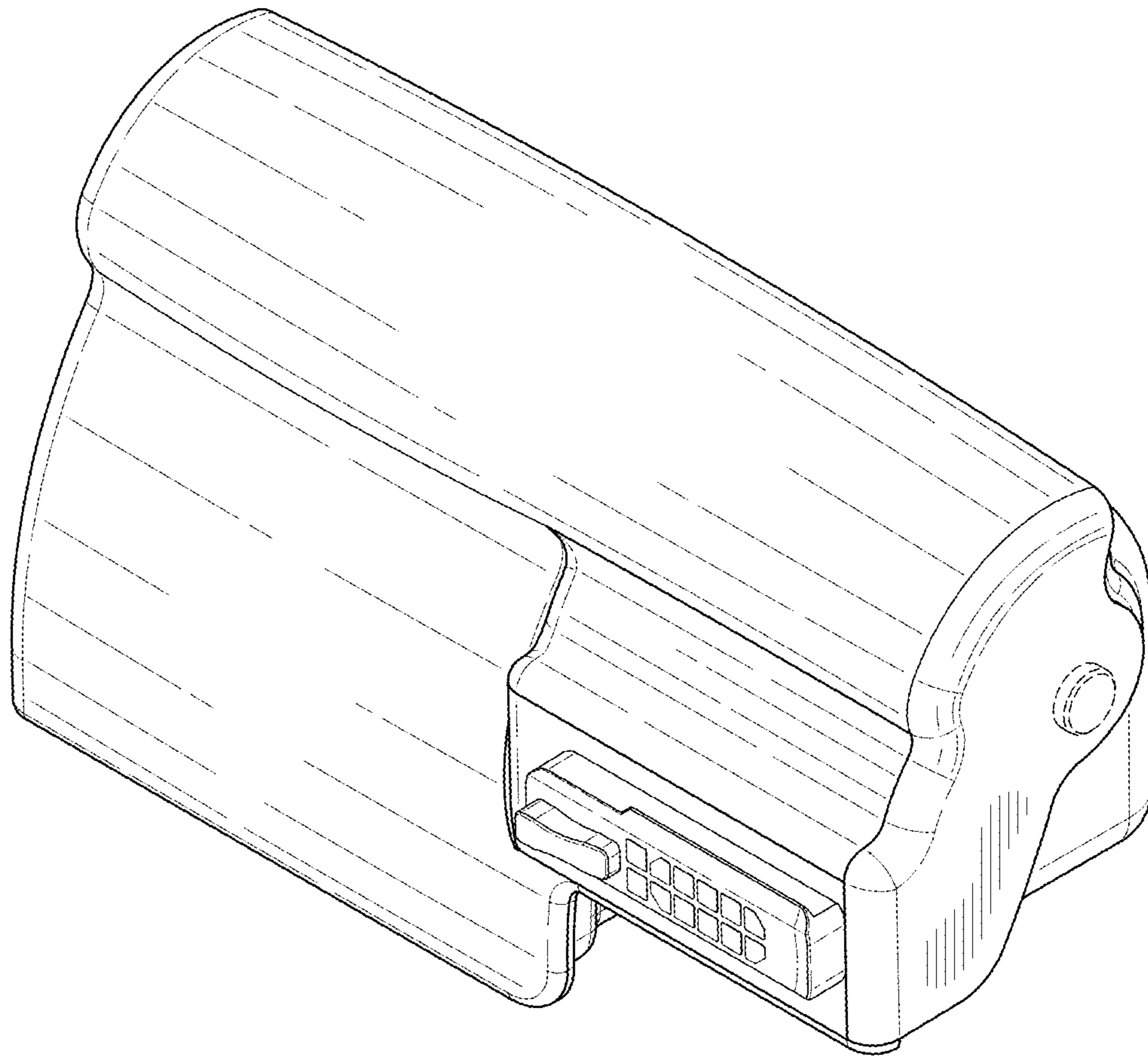


FIG. 12

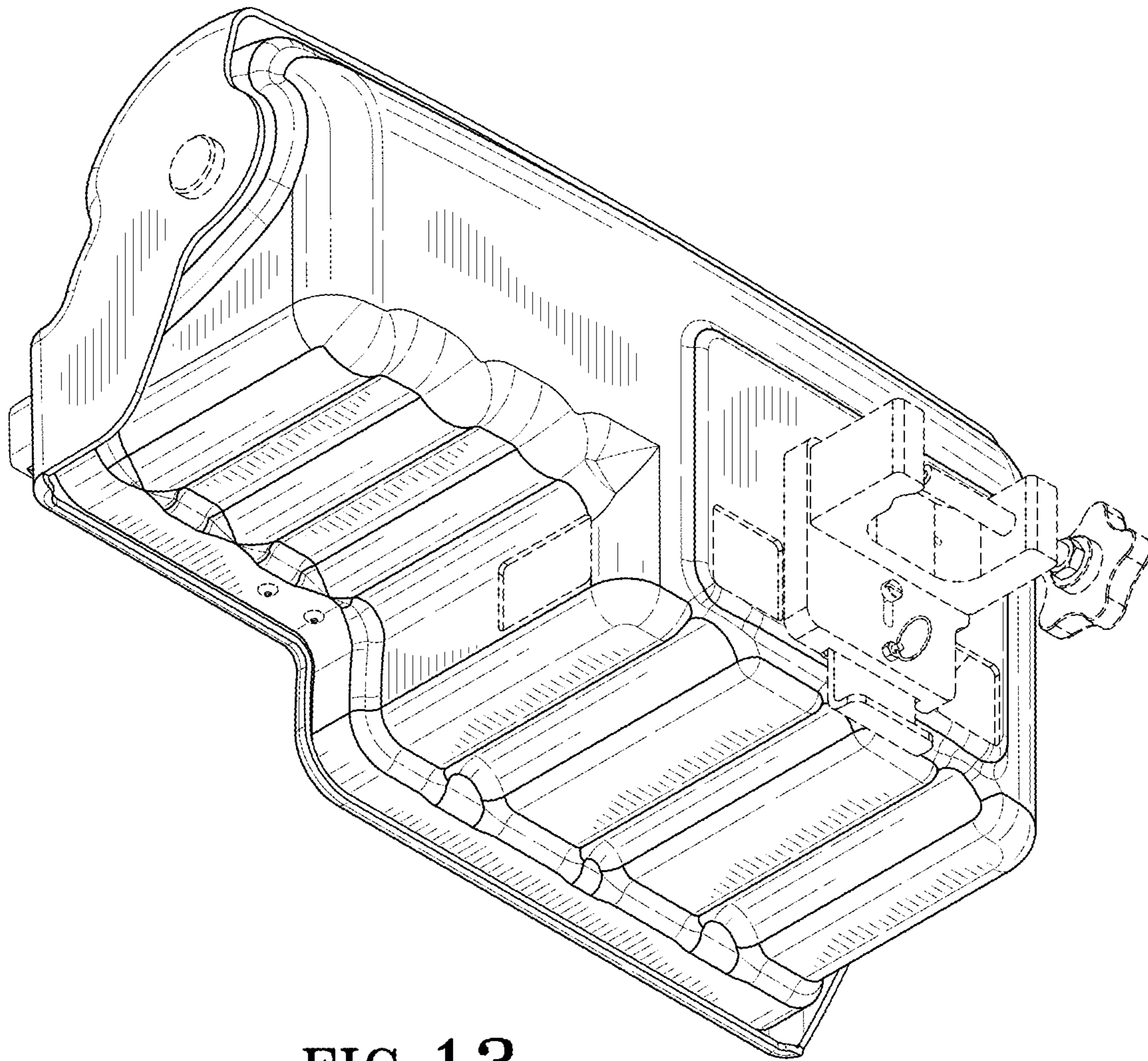


FIG. 13

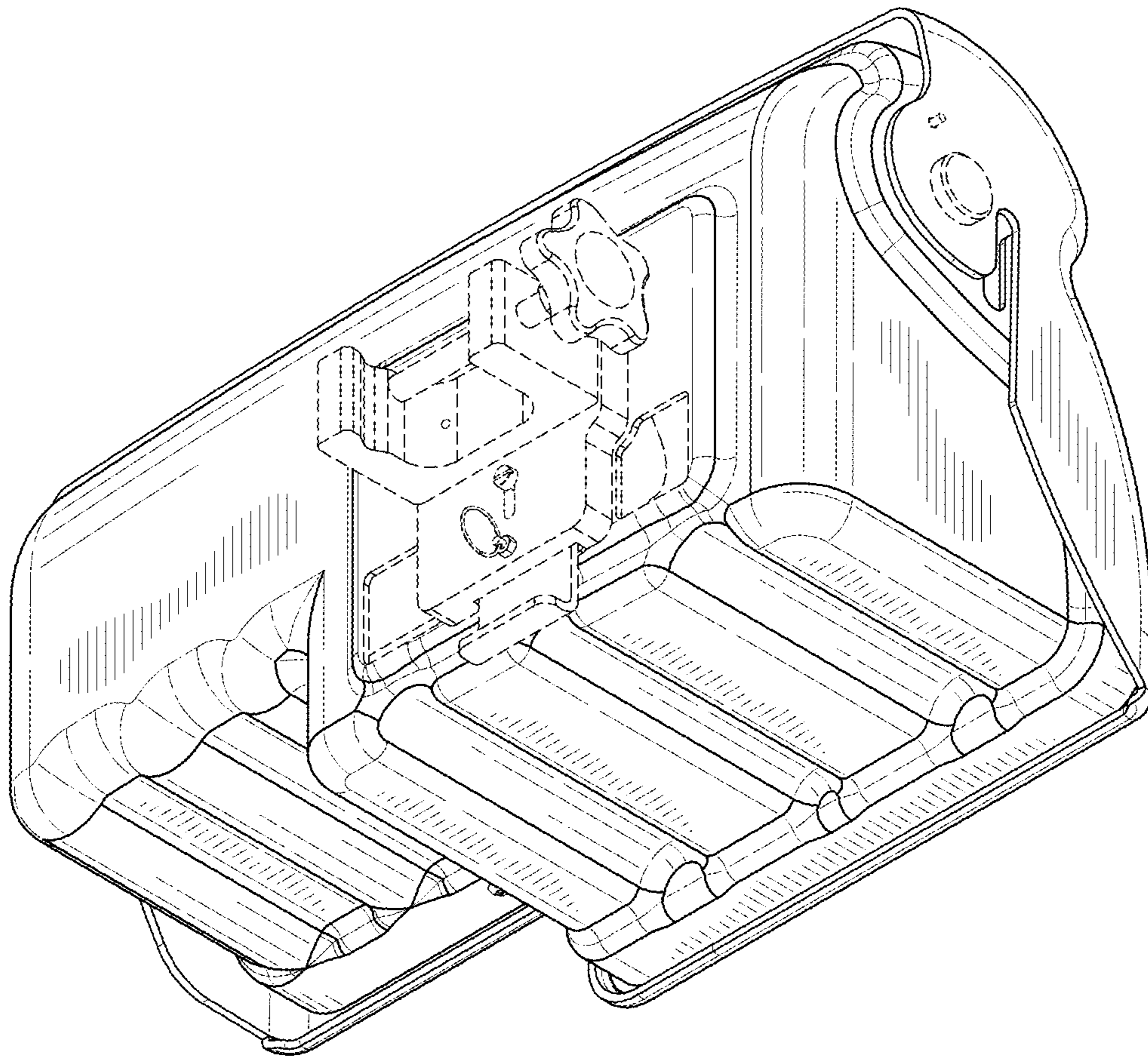


FIG. 14

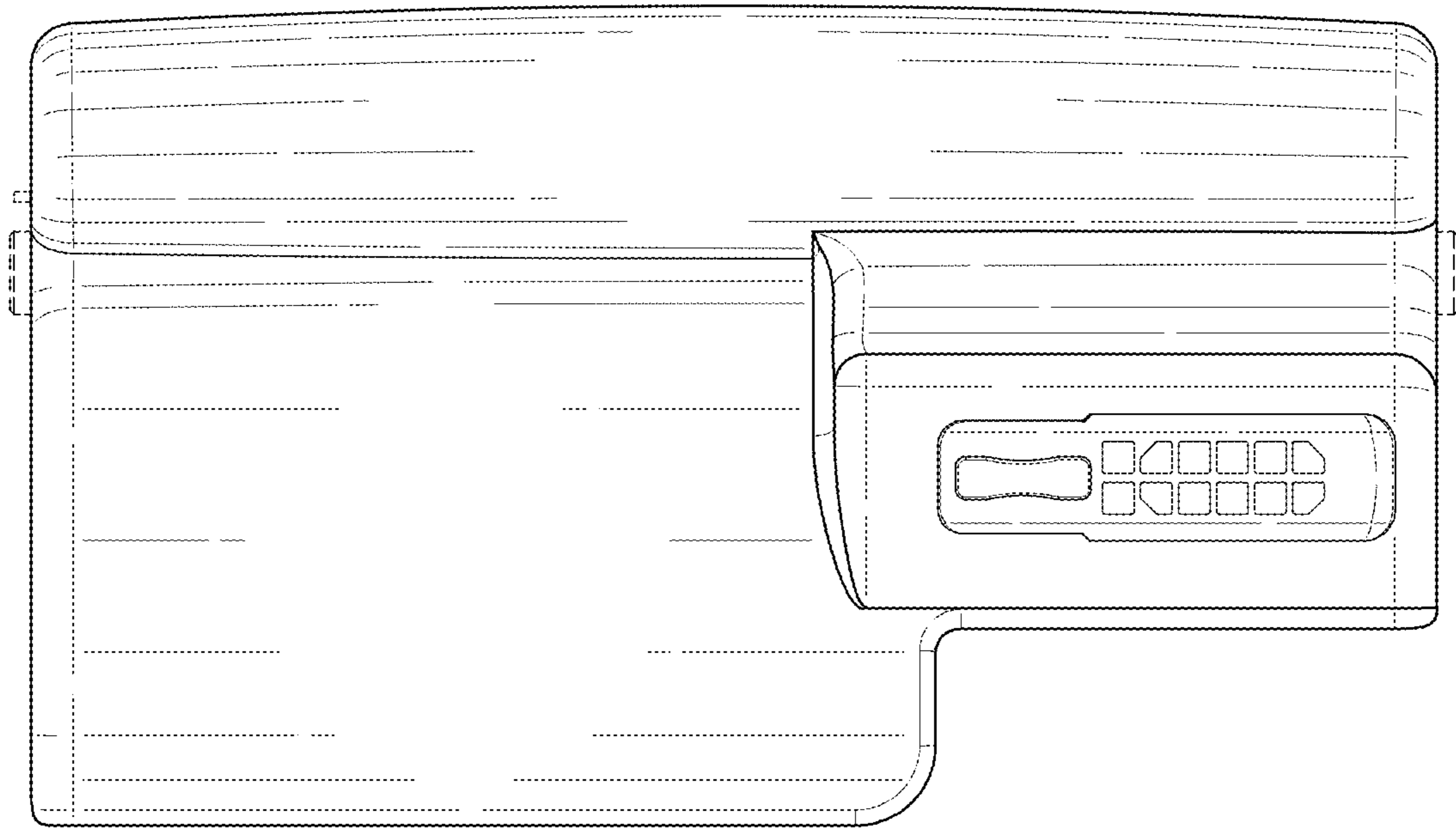


FIG. 15

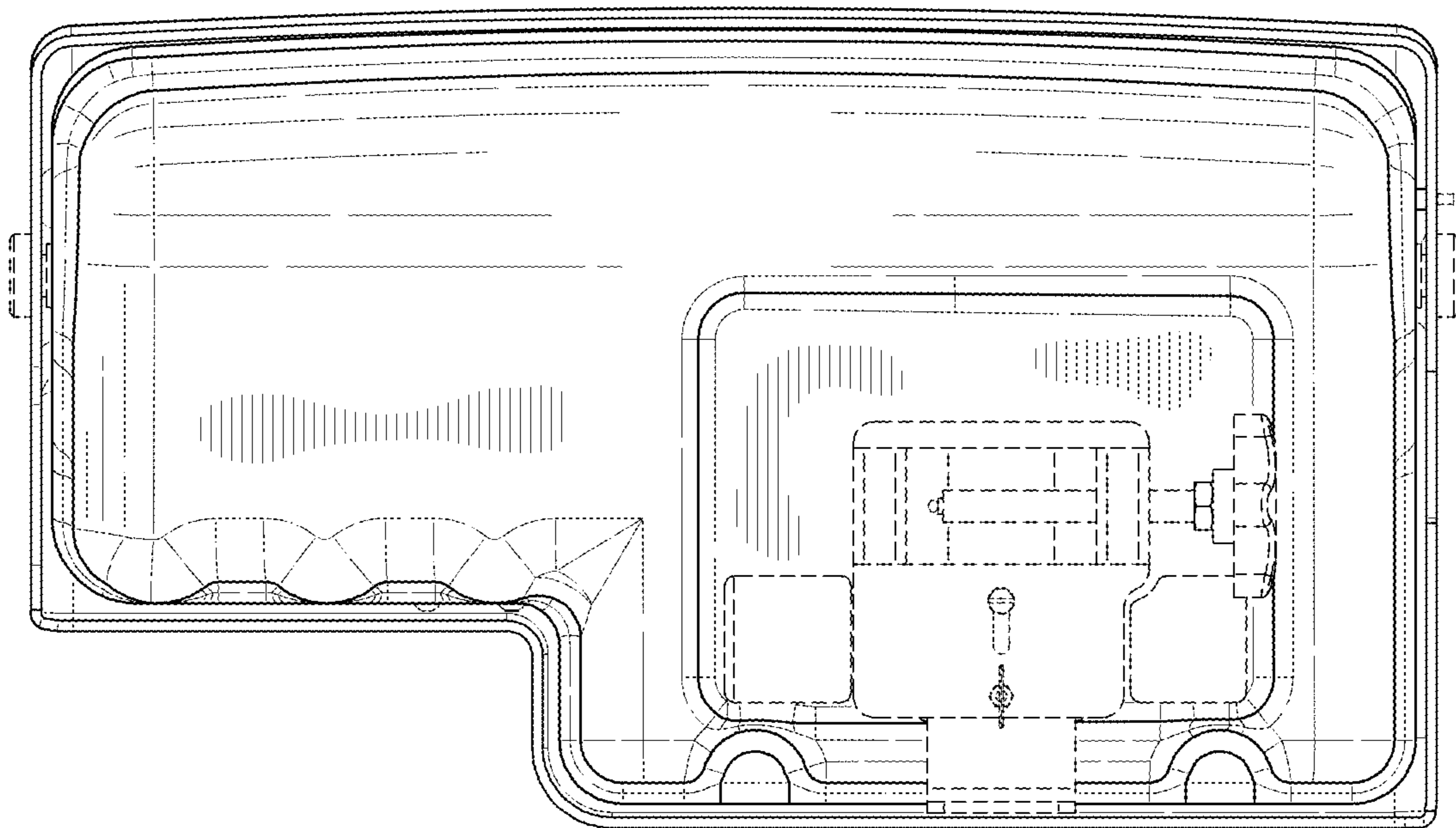


FIG. 16

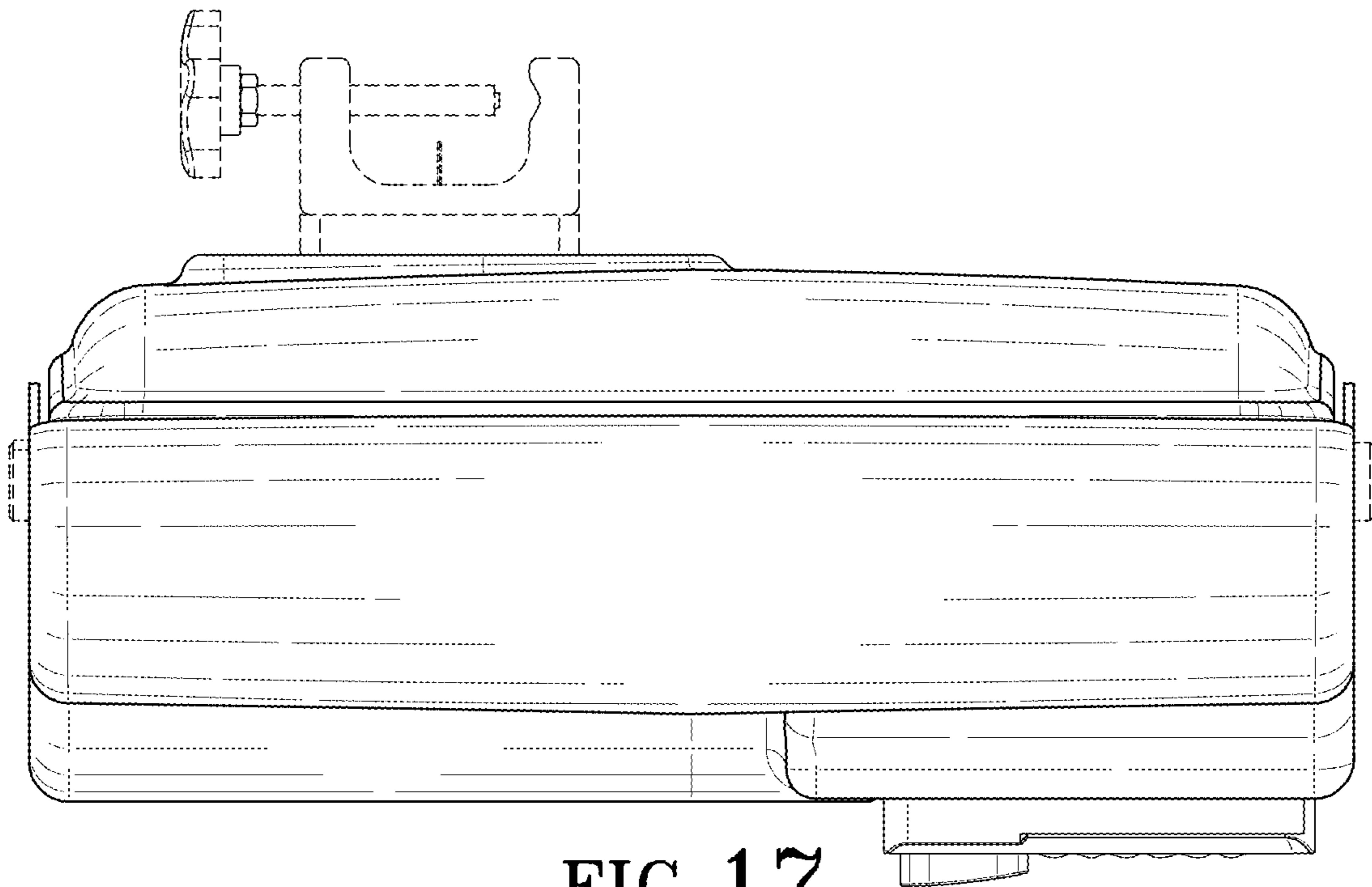


FIG. 17

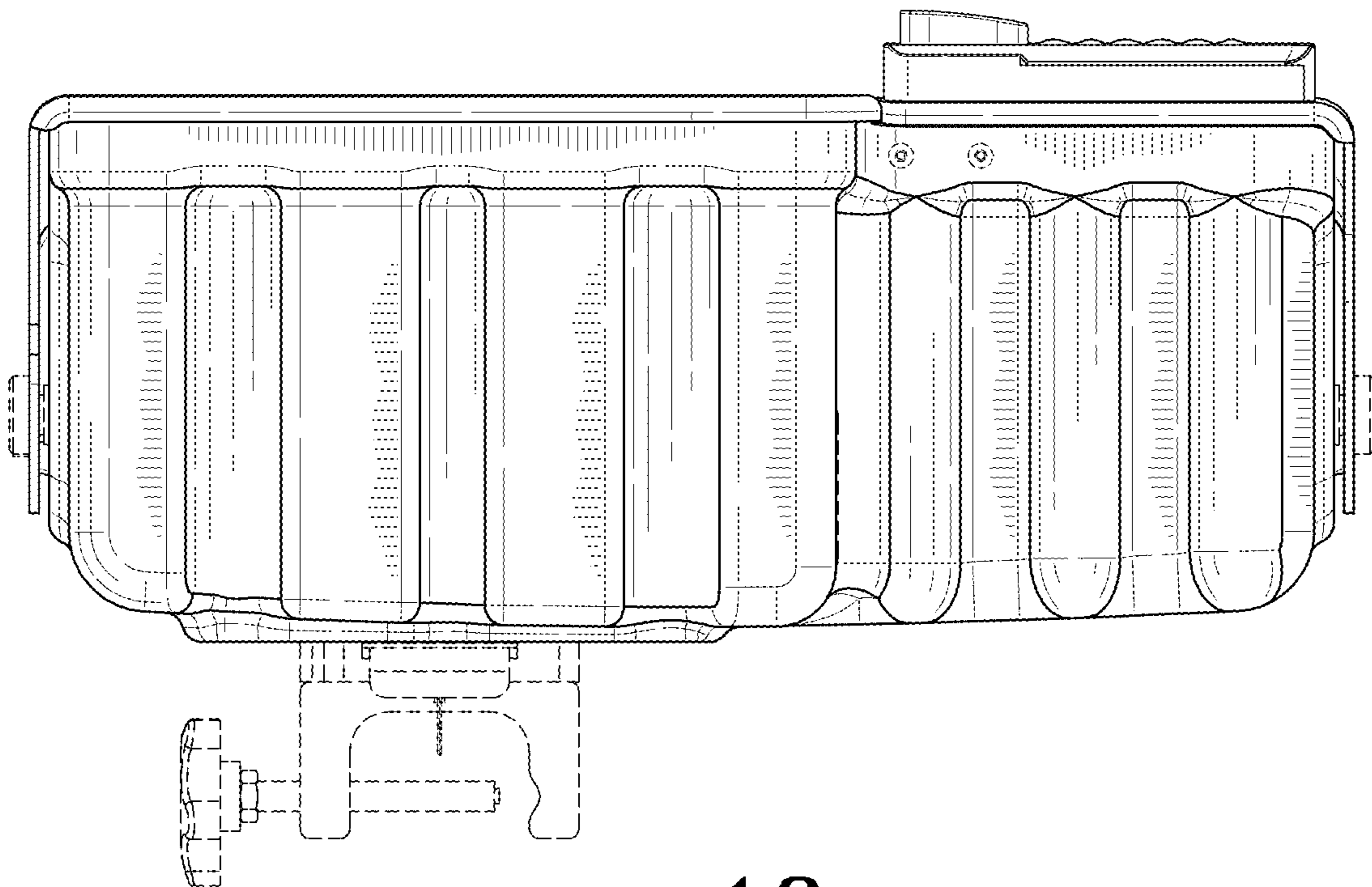


FIG. 18

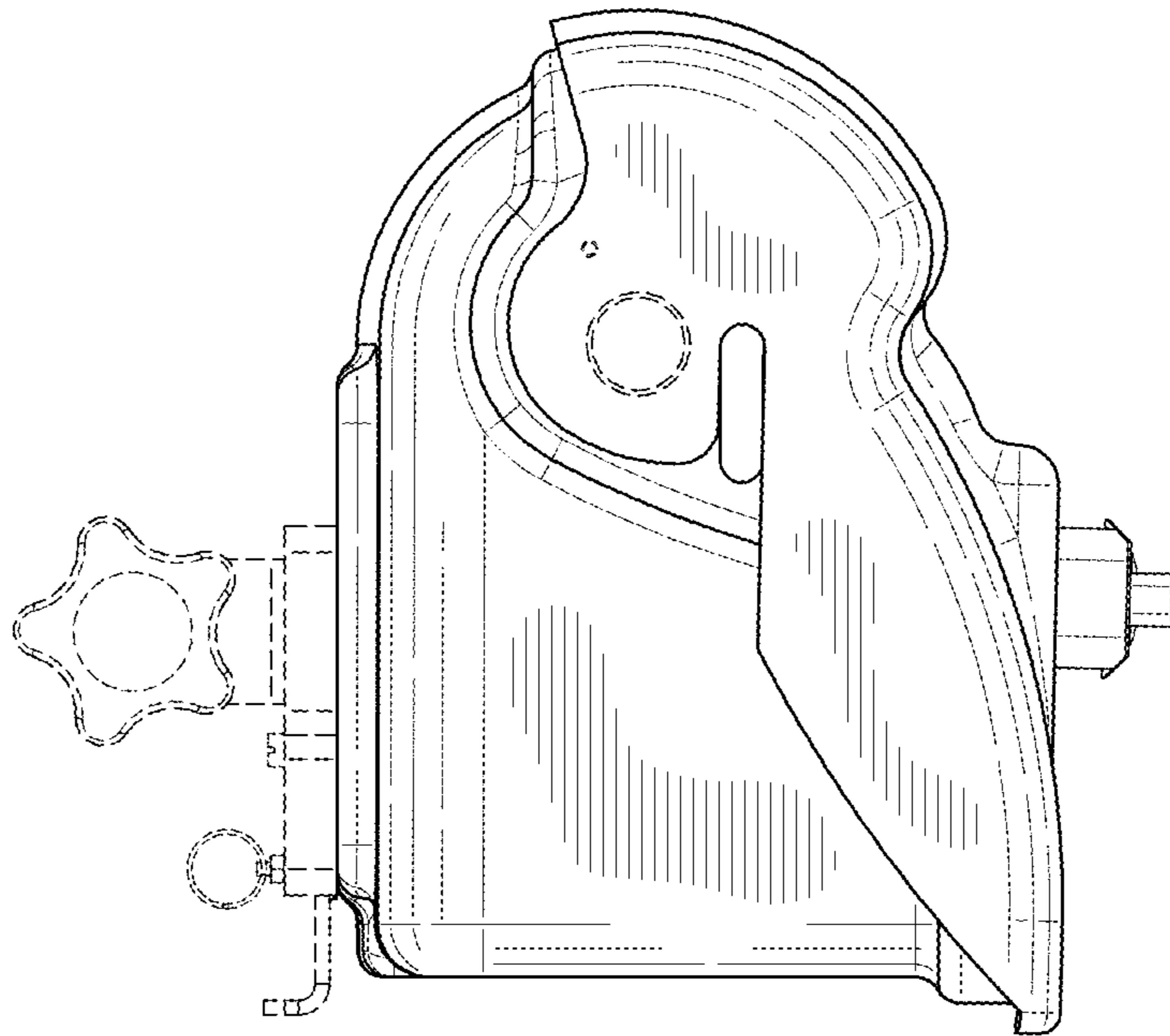


FIG. 19

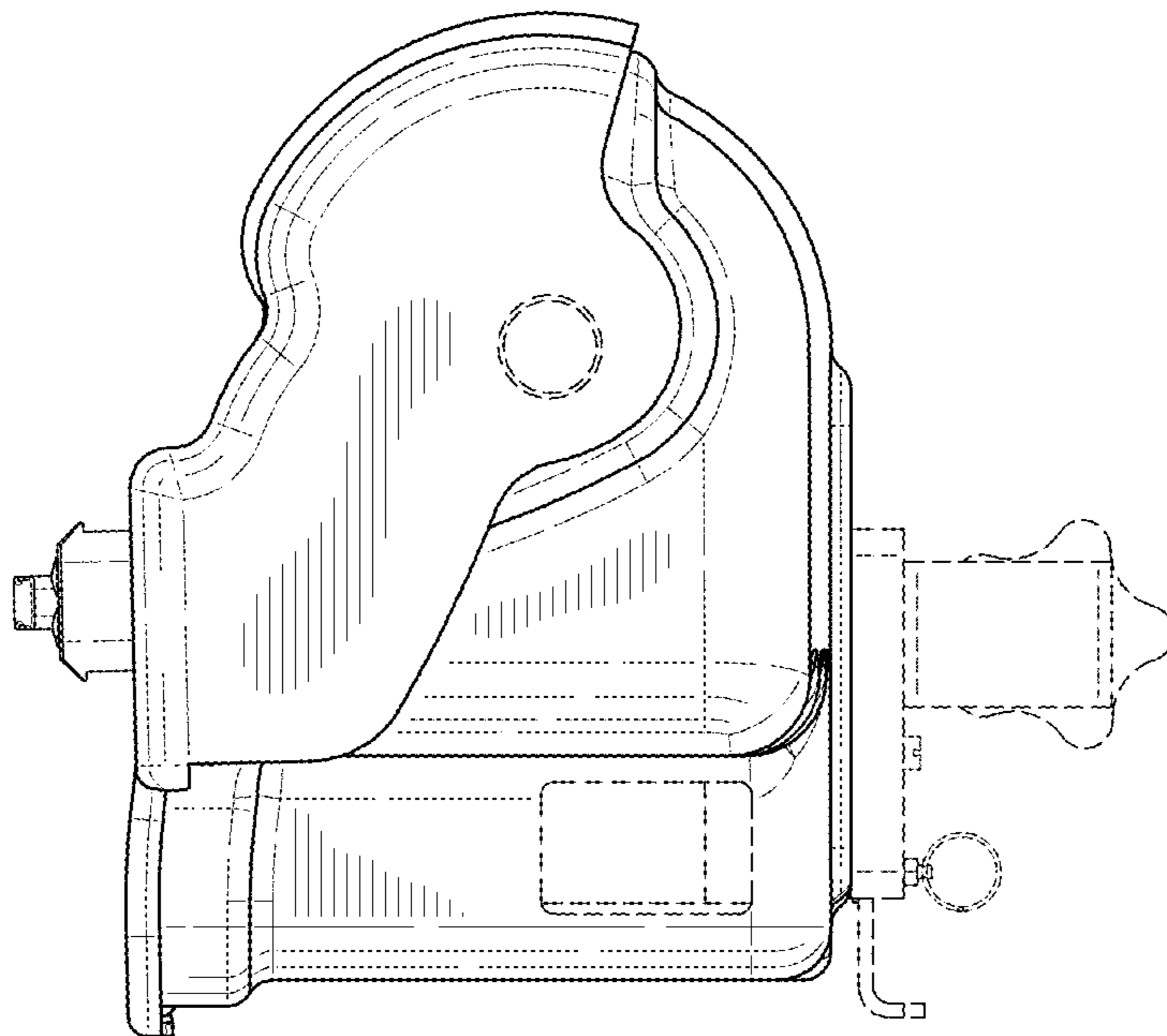


FIG. 20