



US00D937278S

(12) **United States Design Patent** (10) **Patent No.:** **US D937,278 S**
Balch et al. (45) **Date of Patent:** **** Nov. 30, 2021**

(54) **MULLION MOUNT**

(71) Applicant: **Crestron Electronics, Inc.**, Rockleigh, NJ (US)

(72) Inventors: **Howard S. Balch**, Bloomingdale, NJ (US); **Daniel Previti**, Tappan, NY (US); **Wendy Feldstein**, Old Tappan, NJ (US)

(73) Assignee: **Crestron Electronics, Inc.**, Rockleigh, NJ (US)

(**) Term: **15 Years**

(21) Appl. No.: **29/710,428**

(22) Filed: **Oct. 23, 2019**

(51) **LOC (13) Cl.** **14-02**

(52) **U.S. Cl.**
USPC **D14/447**

(58) **Field of Classification Search**
USPC ... D14/238, 239, 230, 237, 233, 273, 140.6, D14/140.5, 224.1, 238.1, 448-450, 451, D14/447; D12/401, 410, 413; D8/356, D8/363, 373, 380
CPC A47B 21/04; A47B 2097/006; A47B 2023/049; A45C 2011/002; A45C 2011/003; F16M 2200/00; F16M 13/00
See application file for complete search history.

(56) **References Cited**

U.S. PATENT DOCUMENTS

| | | | | | |
|------------|---|---------|-------------------|-------|-----------|
| D179,133 S | * | 11/1956 | Gordon | | D10/106.1 |
| D229,831 S | * | 1/1974 | Sparling | | D13/152 |
| D289,284 S | * | 4/1987 | Giordano, Jr. | | D14/239 |
| D346,792 S | * | 5/1994 | Tessmer | | D13/184 |
| D467,561 S | * | 12/2002 | Kosciolek | | D14/129 |
| D690,661 S | | 10/2013 | Wisniewski et al. | | |
| D713,828 S | * | 9/2014 | Stifal | | D14/239 |
| D718,960 S | * | 12/2014 | Sanderson | | D6/675.5 |
| D718,961 S | * | 12/2014 | Sanderson | | D6/675.5 |
| D791,861 S | * | 7/2017 | Battle | | D18/4.5 |
| D792,415 S | * | 7/2017 | Tsai | | D14/447 |

D830,369 S * 10/2018 Grundstrom D14/447
10,439,345 B2 * 10/2019 Jung B60R 11/02
D891,827 S * 8/2020 Haller D6/672
(Continued)

OTHER PUBLICATIONS

“Product Specifications: TSS-752-MUMK”, © 2015 Crestron Electronics, Inc., Revised Aug. 13, 2015, https://www.crestron.com/getmedia/d75af724-ff1b-41de-8304-8424f14deaa/ss_tss-752-mumk_1.

(Continued)

Primary Examiner — Keli L Hill

Assistant Examiner — Harold E Blackwell, II

(74) *Attorney, Agent, or Firm* — Crestron Electronics, Inc.

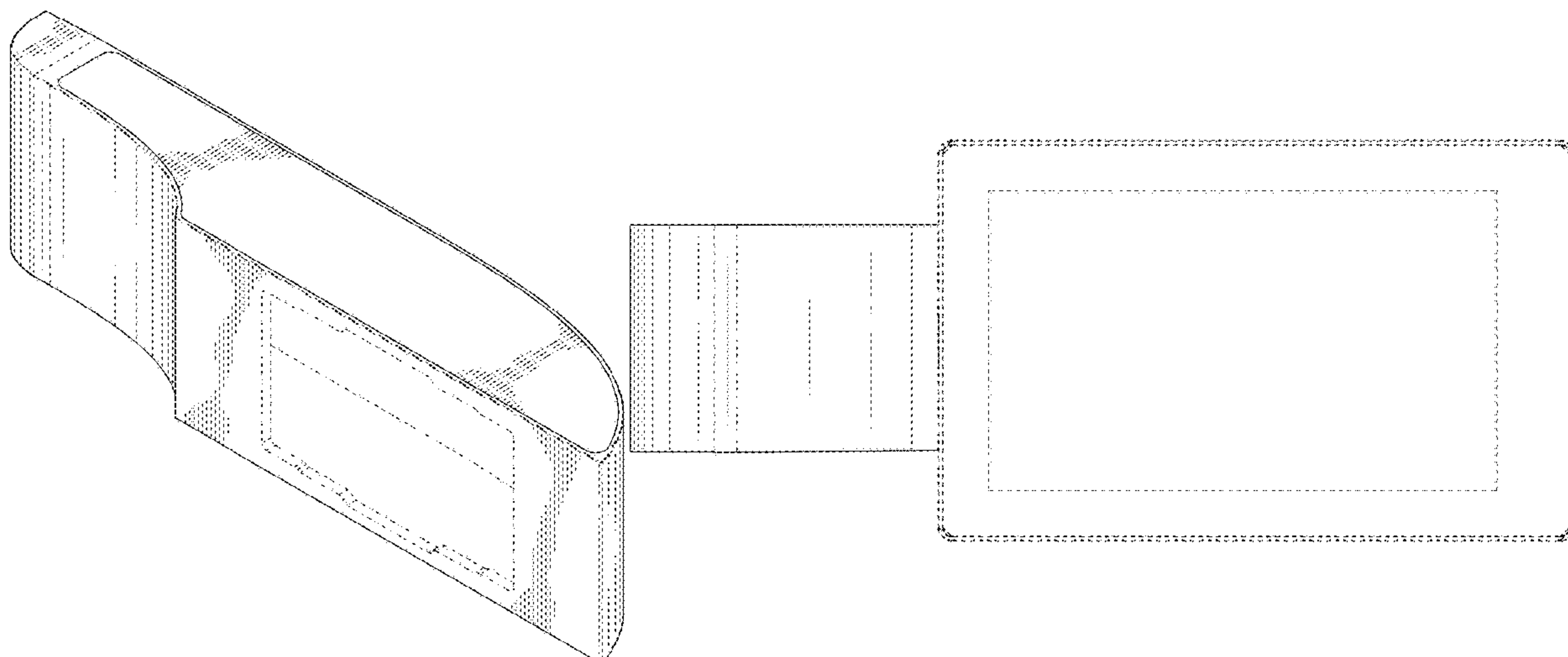
(57) **CLAIM**

The ornamental design for a mullion mount, as shown and described.

DESCRIPTION

FIG. 1 shows a front perspective view of a mullion mount, showing the inventor’s new design;
FIG. 2 shows a front elevation view thereof;
FIG. 3 shows a rear elevation view thereof;
FIG. 4 shows a left elevation view thereof;
FIG. 5 shows a top plan view thereof;
FIG. 6 shows a bottom plan view thereof;
FIG. 7 shows a front elevation view thereof having an interface device inserted therein;
FIG. 8 shows a top plan view thereof having an interface device inserted therein; and,
FIG. 9 shows a front elevation view thereof having an interface device inserted therein and attached at an end thereof to a front of a mullion.
The broken line portion of the figure drawings is included to show unclaimed subject matter only and forms no part of the claimed design.

1 Claim, 9 Drawing Sheets



(56)

References Cited

U.S. PATENT DOCUMENTS

D907,642 S * 1/2021 Balch D14/447
2015/0253813 A1 * 9/2015 Morrow F16M 13/00
248/229.1

OTHER PUBLICATIONS

“Do Guide for: TSS-752-MUMK”, © 2015 Crestron Electronics,
Inc., https://www.crestron.com/getmedia/4512373f-1db1-4017-8364-d9ddeb83e602/mg_do_tss-752-mumk7619C_1.

* cited by examiner

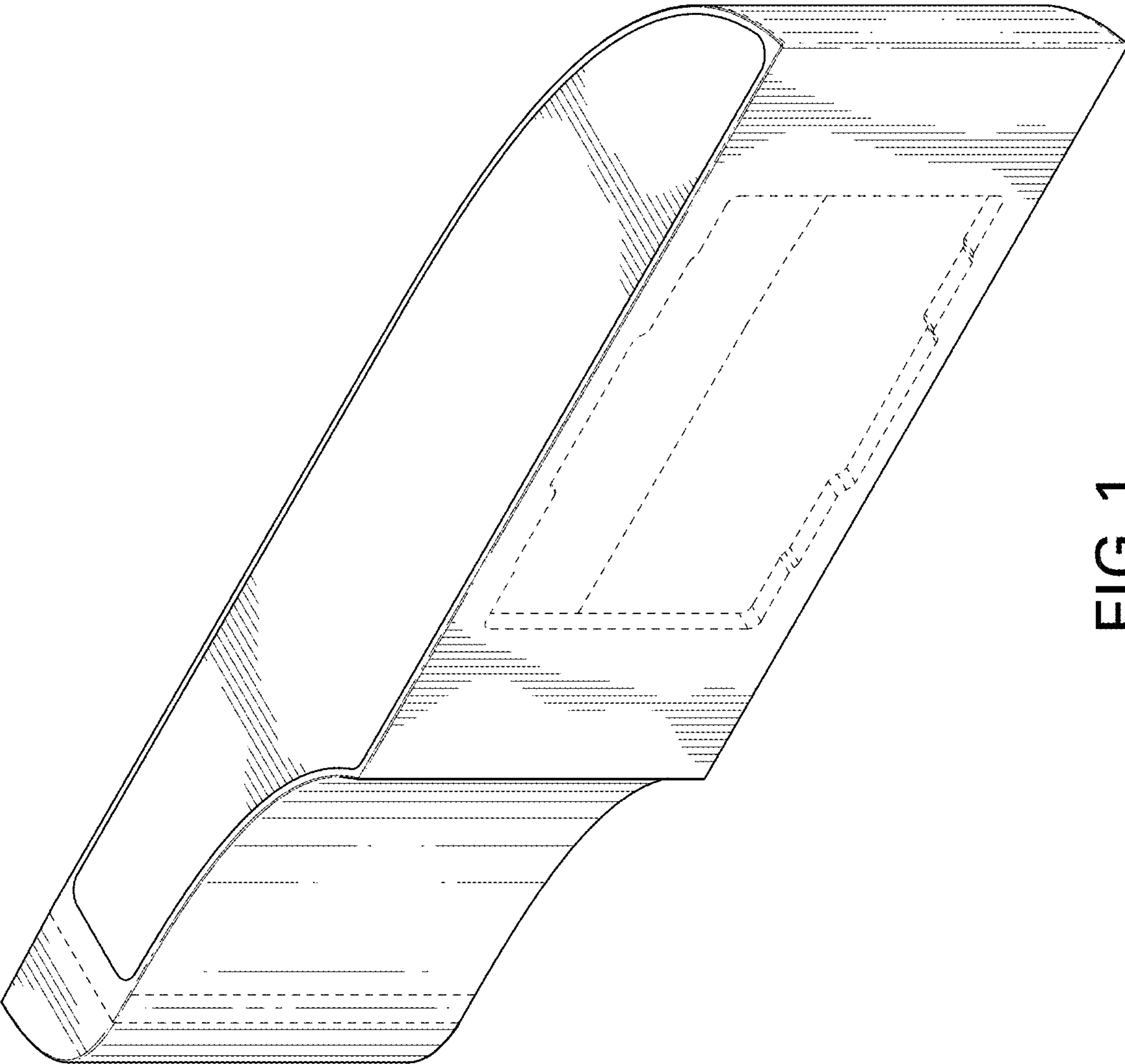


FIG.1

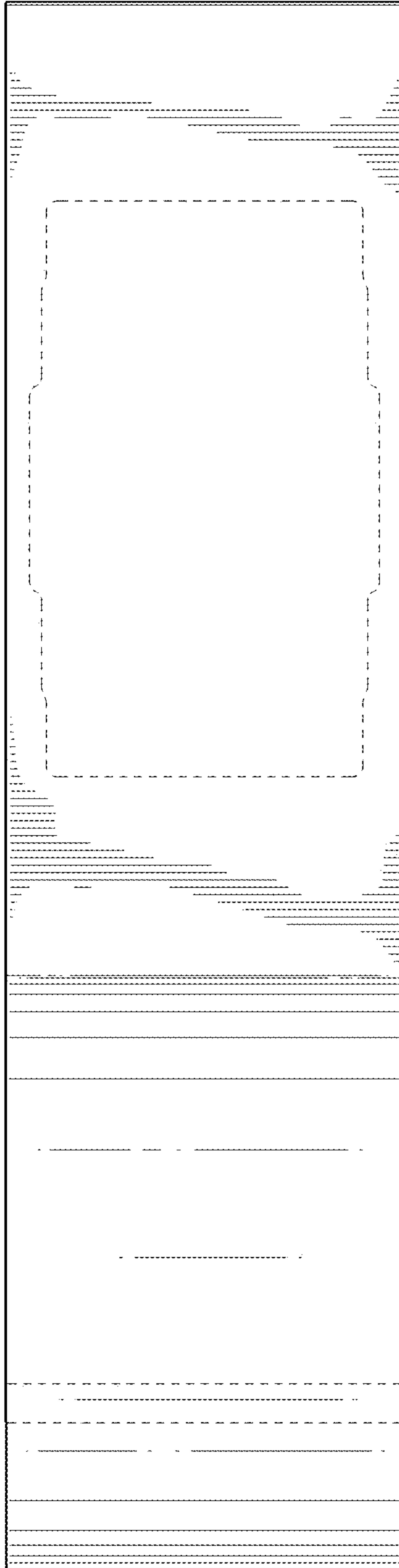


FIG. 2

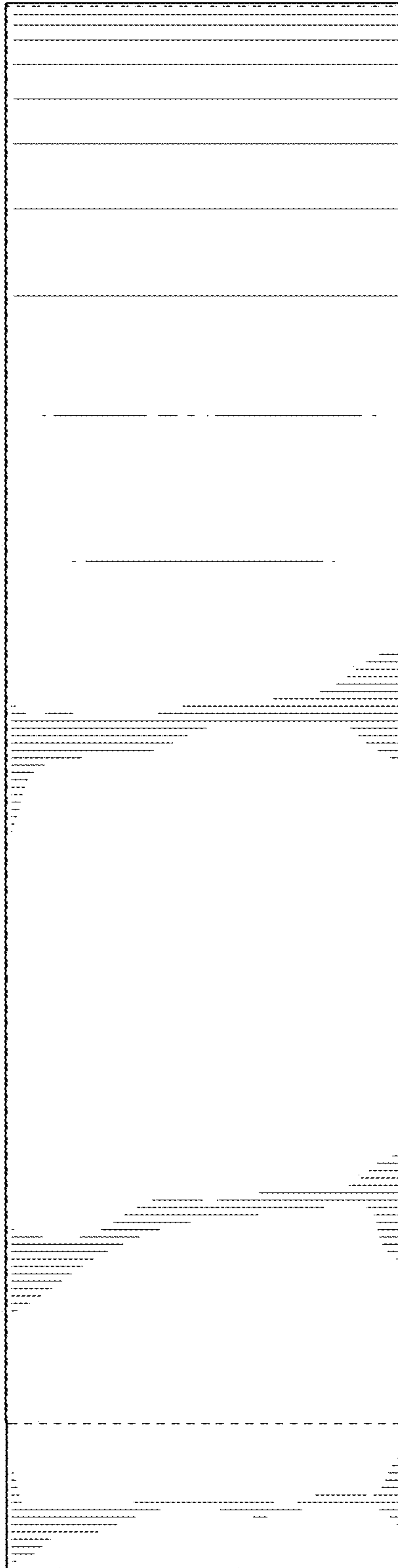


FIG. 3

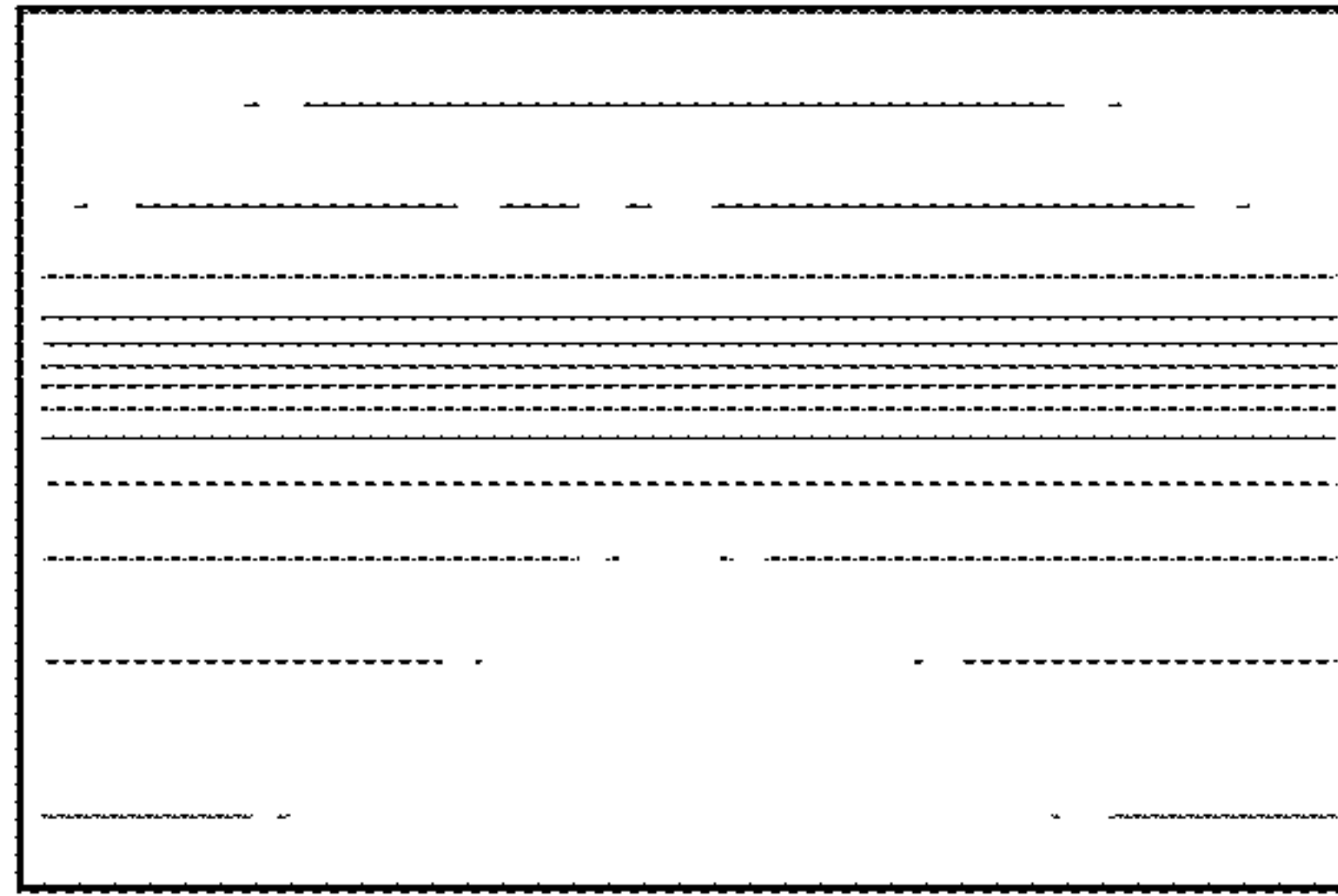


FIG. 4

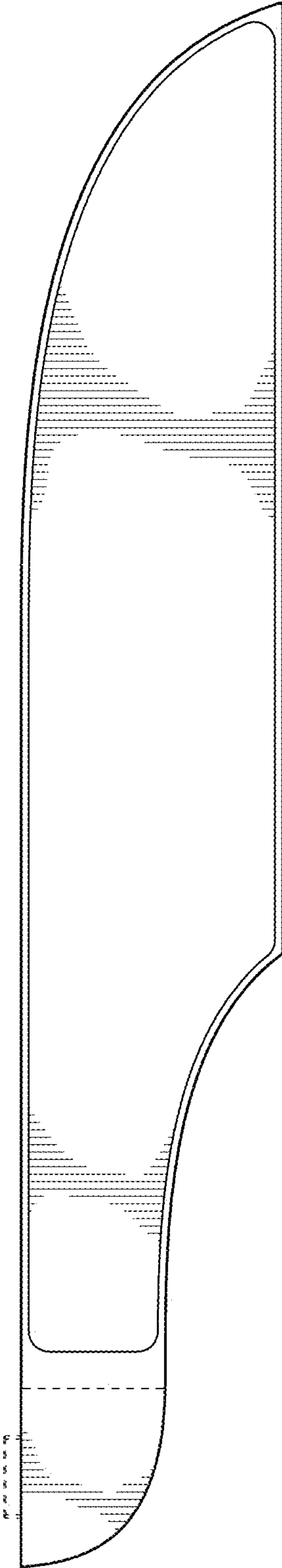


FIG. 5

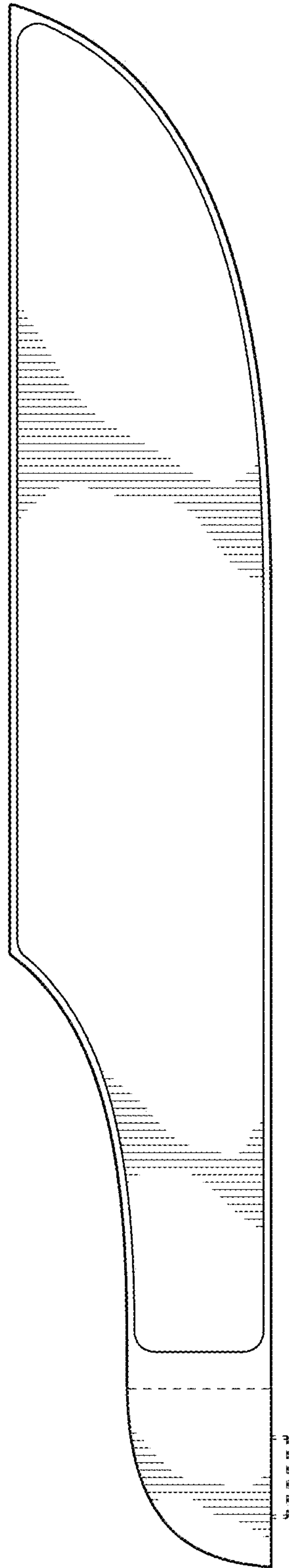


FIG. 6

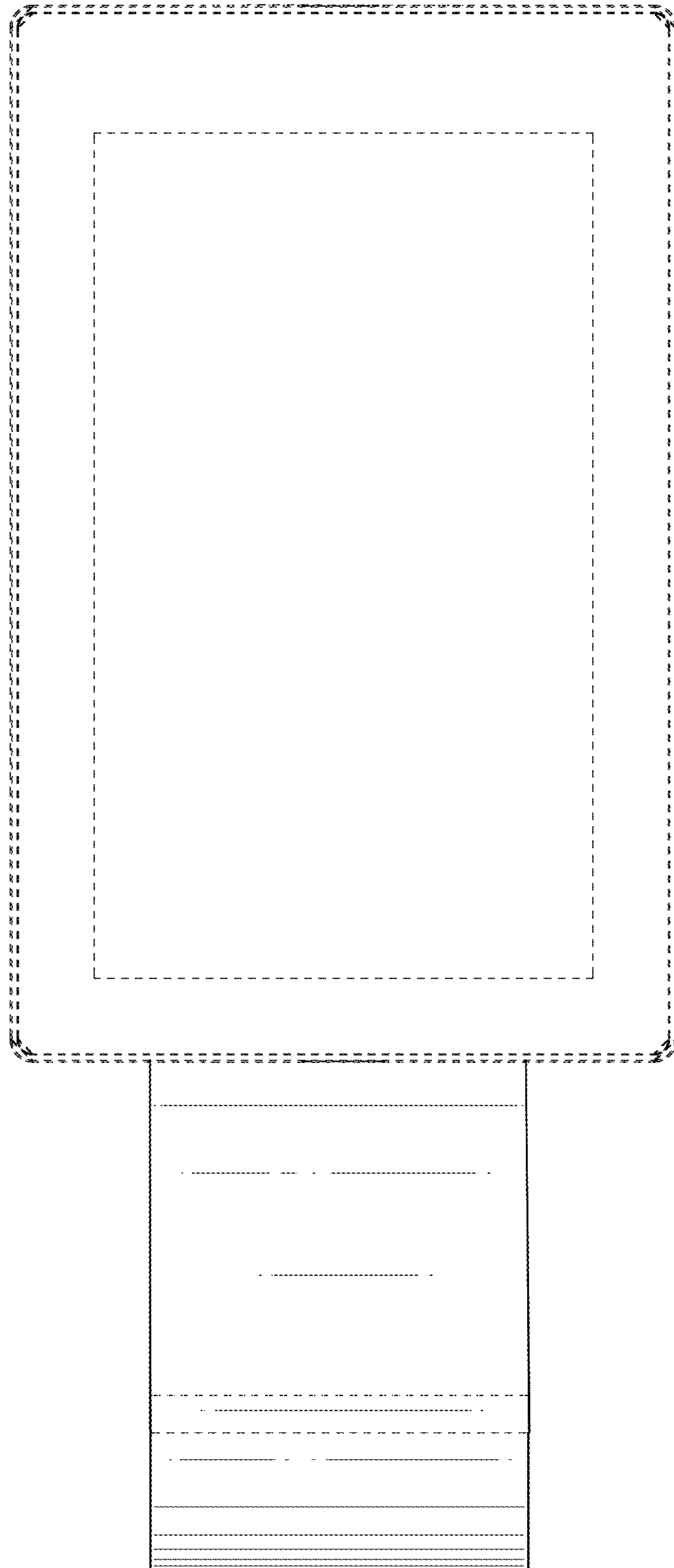


FIG. 7

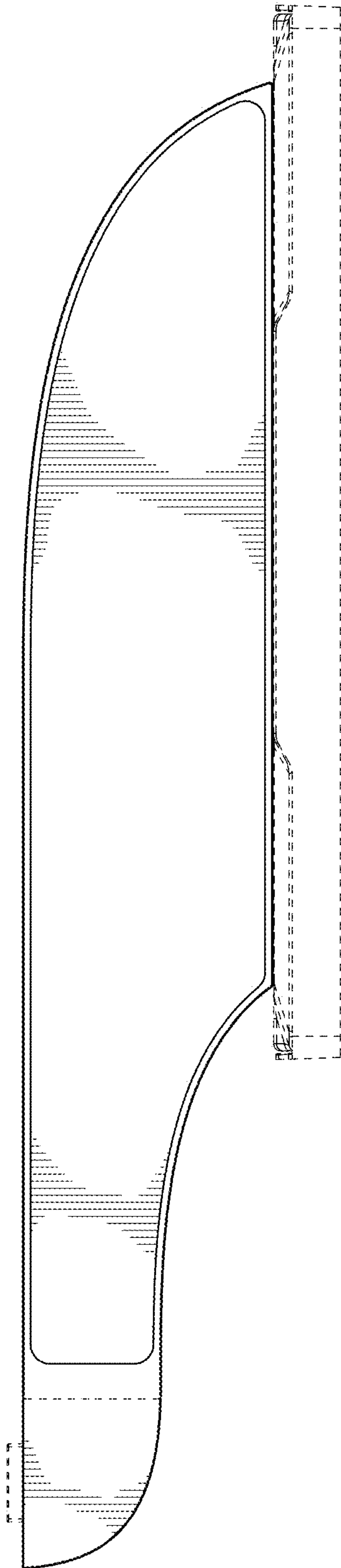


FIG. 8

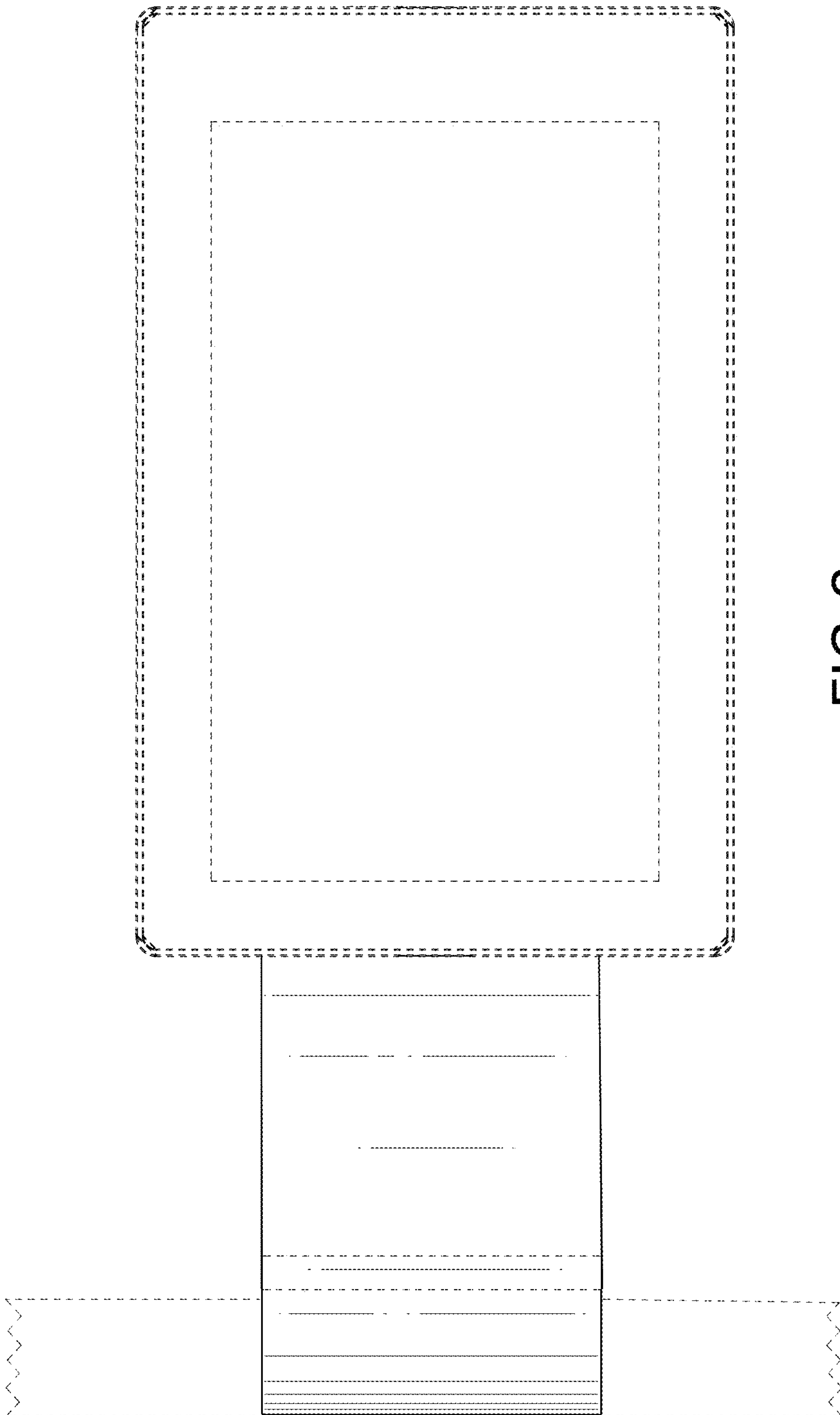


FIG. 9