



US00D937277S

(12) **United States Design Patent** (10) **Patent No.:** **US D937,277 S**  
**Recker et al.** (45) **Date of Patent:** **\*\* Nov. 30, 2021**

(54) **SYNC MODULE**

(71) Applicant: **Amazon Technologies, Inc.**, Seattle, WA (US)  
(72) Inventors: **Michael V. Recker**, Santa Monica, CA (US); **Alexsandra M. Bowers**, Mayfield, OH (US); **Ryan David Hruska**, North Royalton, OH (US); **David Brett Levine**, Pepper Pike, OH (US); **Christopher Loew**, Palo Alto, CA (US); **Mark Siminoff**, Mountain View, CA (US)

(73) Assignee: **Amazon Technologies, Inc.**, Seattle, WA (US)

(\*\*) Term: **15 Years**

(21) Appl. No.: **29/670,249**

(22) Filed: **Nov. 14, 2018**

(51) **LOC (13) Cl.** ..... **14-02**

(52) **U.S. Cl.**  
USPC ..... **D14/443**

(58) **Field of Classification Search**  
USPC ..... D14/348, 356-357, 363, 365, 367, D14/433-435, 1, 436-437, 443, 480.1,  
(Continued)

(56) **References Cited**

**U.S. PATENT DOCUMENTS**

D243,615 S 3/1977 Kaye  
D357,896 S \* 5/1995 Berry ..... D13/103  
(Continued)

**FOREIGN PATENT DOCUMENTS**

CN 304279386 S 9/2017  
CN 304897992 S 11/2018  
(Continued)

**OTHER PUBLICATIONS**

Chime Pro Generation 2, Ring, cravingtech.com, published by Michael Aulia on Aug. 4, 2020 © Craving Tech, online, site visited Mar. 20, 2021. Available from Internet, URL: <https://www.cravingtech.com/improved-design-connectivity-and-a-built-in-nightlight-ring-chime-pro-2020-review.html> (Year: 2020).\*

(Continued)

*Primary Examiner* — Holly E Thurman  
*Assistant Examiner* — Altaira J Swangin  
(74) *Attorney, Agent, or Firm* — Lee & Hayes, P.C.

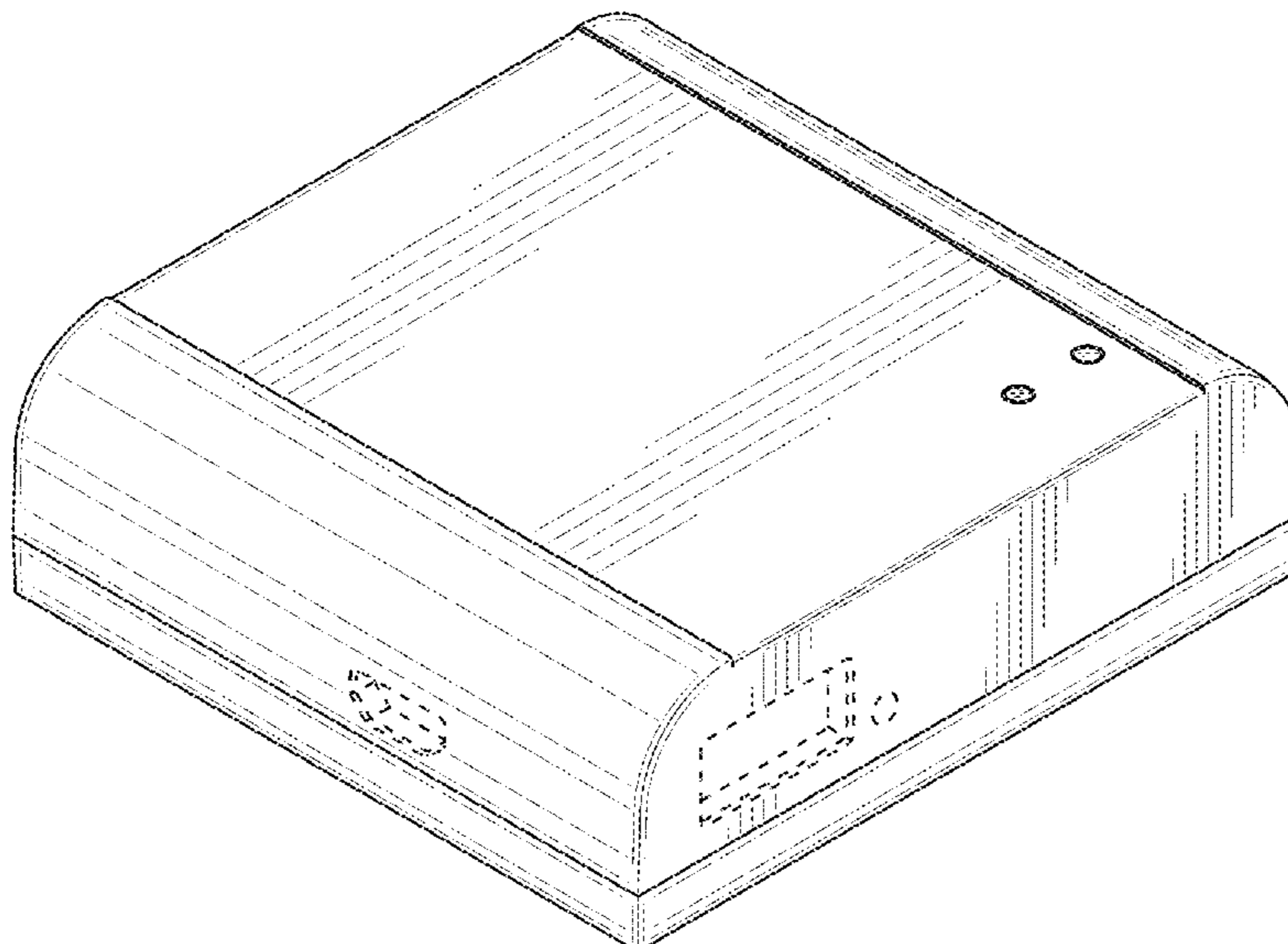
(57) **CLAIM**

The ornamental design for a sync module, as shown and described.

**DESCRIPTION**

FIG. 1 is a front, right-side perspective view of a first embodiment of a sync module;  
FIG. 2 is a back, right-side perspective view thereof;  
FIG. 3 is a bottom plan view thereof;  
FIG. 4 is a top plan view thereof;  
FIG. 5 is a left-side elevation view thereof;  
FIG. 6 is a right-side elevation view thereof;  
FIG. 7 is a front elevation view thereof;  
FIG. 8 is a back elevation view thereof;  
FIG. 9 is a front, right-side perspective view of a second embodiment of a sync module;  
FIG. 10 is a back, right-side perspective view thereof;  
FIG. 11 is a bottom plan view thereof;  
FIG. 12 is a top plan view thereof;  
FIG. 13 is a left-side elevation view thereof;  
FIG. 14 is a right-side elevation view thereof;  
FIG. 15 is a front elevation view thereof; and,  
FIG. 16 is a back elevation view thereof.  
The dashed broken lines depict portions of the sync module that form no part of the claimed design.

**1 Claim, 16 Drawing Sheets**



(58) **Field of Classification Search**

USPC ..... D14/480.7, 484.1, 167, 172, 204,  
 D14/300–301, 355, 358, 496; D13/103,  
 D13/162–162.1, 168–169, 171, 107–108,  
 D13/110; D18/11–12; D10/104.1, 106.1,  
 D10/106.9, 106.95  
 CPC ..... H05K 5/03; H05K 5/04; H01L 23/4093;  
 H04N 7/185; H04N 7/18  
 See application file for complete search history.

(56) **References Cited**

U.S. PATENT DOCUMENTS

5,470,255 A \* 11/1995 McCleerey ..... H01M 50/50  
 439/500  
 D376,127 S \* 12/1996 Nagele ..... D13/103  
 D403,656 S \* 1/1999 Ichikawa ..... D13/103  
 D432,982 S \* 10/2000 Miyashita ..... D13/103  
 D521,447 S \* 5/2006 Ono ..... D13/103  
 D566,685 S \* 4/2008 Koller ..... D14/168  
 D580,852 S \* 11/2008 Heinzen ..... D13/103  
 D592,131 S \* 5/2009 Heinzen ..... D13/103  
 D599,744 S \* 9/2009 Reedy ..... D13/162  
 D604,254 S \* 11/2009 Lanfear ..... D13/162  
 D607,416 S \* 1/2010 Gentner ..... D13/162  
 D608,276 S \* 1/2010 Takeshita ..... D13/103  
 D611,005 S \* 3/2010 Lanfear ..... D13/162  
 D611,006 S \* 3/2010 Lanfear ..... D13/162  
 D615,045 S \* 5/2010 Lanfear ..... D13/162  
 D631,446 S \* 1/2011 Lanfear ..... D13/162  
 D641,019 S \* 7/2011 Chen ..... D14/356  
 D641,360 S \* 7/2011 Ledbetter ..... D14/356  
 D656,936 S \* 4/2012 Saunders ..... D14/358  
 D665,340 S \* 8/2012 Obata ..... D13/103  
 D680,063 S 4/2013 Sasada  
 D680,459 S \* 4/2013 Corso ..... D10/106.6  
 D680,952 S \* 4/2013 Henderson ..... D13/108  
 D686,570 S \* 7/2013 Hutnak ..... D13/103  
 D686,984 S \* 7/2013 Henderson ..... D13/107  
 D686,985 S \* 7/2013 Henderson ..... D13/107  
 D688,198 S \* 8/2013 Takeshita ..... D13/103  
 D689,819 S \* 9/2013 Olsson ..... D13/110  
 D694,233 S \* 11/2013 Hoofnagle ..... D14/356  
 D699,614 S \* 2/2014 Ke ..... D10/106.95  
 D726,179 S \* 4/2015 Orthey ..... D14/358  
 D737,758 S \* 9/2015 Takeshita ..... D13/103  
 D740,828 S \* 10/2015 Bucsa ..... D14/433  
 D742,312 S 11/2015 Gupta et al.  
 D746,227 S \* 12/2015 Lemire-Elmore ..... D13/107  
 D760,647 S 7/2016 Chen  
 D764,404 S 8/2016 Lau et al.  
 D794,355 S 8/2017 Tirondola  
 D805,046 S \* 12/2017 Lahiri ..... D14/125  
 D812,556 S 3/2018 Xu  
 D816,606 S 5/2018 Georgiades  
 D820,227 S \* 6/2018 Li ..... D14/125  
 D820,707 S \* 6/2018 Siminoff ..... D10/118.2  
 D820,708 S \* 6/2018 Siminoff ..... D10/118.2  
 D822,518 S \* 7/2018 Siminoff ..... D10/118.2  
 D822,519 S \* 7/2018 Siminoff ..... D10/118.2  
 D822,520 S \* 7/2018 Siminoff ..... D10/118.2  
 D823,239 S 7/2018 Gupta et al.  
 D825,456 S 8/2018 Daravong  
 D829,585 S \* 10/2018 Siminoff ..... D10/118.2  
 D830,871 S \* 10/2018 Siminoff ..... D10/118.2  
 D833,313 S \* 11/2018 Siminoff ..... D10/118.2  
 D836,619 S 12/2018 Yokoyama  
 D837,080 S \* 1/2019 Siminoff ..... D10/118.2  
 D838,669 S 1/2019 Miller et al.  
 D842,244 S 3/2019 Li  
 D844,560 S 4/2019 Miller et al.  
 D848,348 S \* 5/2019 Long ..... D12/345  
 D853,320 S 7/2019 Guo  
 D853,322 S 7/2019 Xu  
 D855,200 S \* 7/2019 LiCalzi ..... D24/216  
 D858,338 S \* 9/2019 Yu ..... D10/118.2

D858,434 S 9/2019 Park et al.  
 D860,027 S \* 9/2019 Siminoff ..... D10/106.6  
 D860,110 S \* 9/2019 Long ..... D12/345  
 D860,129 S 9/2019 Price  
 D860,176 S \* 9/2019 Siminoff ..... D14/240  
 D860,936 S 9/2019 Jia  
 D861,592 S 10/2019 Venugopal et al.  
 D861,595 S 10/2019 He  
 D862,268 S \* 10/2019 Devaraja ..... D10/106.95  
 D862,384 S 10/2019 Jen  
 D864,861 S 10/2019 Roberts  
 D866,381 S \* 11/2019 Siminoff ..... D10/120  
 D866,551 S \* 11/2019 Choi ..... D14/356  
 D867,280 S 11/2019 Chen  
 D874,960 S \* 2/2020 Miller ..... D10/106.1  
 D878,233 S \* 3/2020 Huang ..... D10/106.6  
 D889,300 S \* 7/2020 Siminoff ..... D10/118.2  
 D889,301 S \* 7/2020 Siminoff ..... D10/118.2  
 D892,114 S \* 8/2020 Siminoff ..... D14/383  
 D901,471 S \* 11/2020 Siminoff ..... D14/240  
 D922,938 S \* 6/2021 Sexton ..... D13/103  
 2003/0095185 A1 5/2003 Naifeh  
 2007/0103548 A1 5/2007 Carter  
 2015/0003022 A1\* 1/2015 Chang ..... G02F 1/133308  
 361/748  
 2016/0163240 A1\* 6/2016 Brunelli ..... F21V 23/06  
 40/564  
 2018/0234668 A1 8/2018 Bauswell  
 2019/0364244 A1 11/2019 Siminoff et al.

FOREIGN PATENT DOCUMENTS

CN 304933710 S 12/2018  
 EM 005795788-0001 L 1/2019  
 EP 2385703 11/2011  
 JP 1651500 1/2020  
 JP 1651502 1/2020  
 JP D1680870 \* 3/2021  
 JP D1680917 \* 3/2021  
 TW 265988 A 12/1995  
 TW D170846 A 10/2015  
 WO WO2007081894 7/2007

OTHER PUBLICATIONS

The Chinese Office Action dated Jan. 14, 2020, for Chinese Design Application No. 201930465085.4, a counterpart foreign application of the U.S. Appl. No. 29/681,330, 1 pages.  
 The Japanese Office Action dated Jan. 31, 2020 for Japanese Patent Application No. 2019-014703, a counterpart of U.S. Appl. No. 29/675,488, 3 pages.  
 The Japanese Office Action dated Jan. 31, 2020 for Japanese Patent Application No. 2019-014704, a counterpart of U.S. Appl. No. 29/675,488, 3 pages.  
 The Japanese Office Action dated Jan. 31, 2020 for Japanese Patent Application No. 2019-014705, a counterpart of U.S. Appl. No. 29/675,488, 3 pages.  
 The Japanese Office Action dated Jan. 31, 2020 for Japanese Patent Application No. 2019-014706, a counterpart of U.S. Appl. No. 29/675,488, 3 pages.  
 Office Action for U.S. Appl. No. 16/218,920, dated Feb. 5, 2020, Siminoff, “Audio/video Device With Viewer”, 10 Pages.  
 The Translated Taiwanese Office Action dated Dec. 12, 2019 for Taiwanese Patent Application No. 108302982, a counterpart of U.S. Appl. No. 29/673,311, 2 pages.  
 The Translated Taiwanese Office Action dated Dec. 13, 2019 for Taiwanese Patent Application No. 108302983, a counterpart of U.S. Appl. No. 29/673,311, 2 pages.  
 The Translated Taiwanese Office Action dated Dec. 13, 2019 for Taiwanese Patent Application No. 10821187230, a counterpart of U.S. Appl. No. 29/673,311, 2 pages.  
 The Taiwanese Office Action dated Nov. 15, 2019 for Taiwanese Patent Application No. 108302722, a counterpart of U.S. Appl. No. 29/670,249, 4 pages.

(56)

**References Cited**

## OTHER PUBLICATIONS

The Taiwanese Office Action dated Nov. 15, 2019 for Taiwanese Patent Application No. 108302720, a counterpart of U.S. Appl. No. 29/670,249, 4 pages.

The Taiwanese Office Action dated Nov. 15, 2019 for Taiwanese Patent Application No. 108302721, a counterpart of U.S. Appl. No. 29/670,249, 4 pages.

The Taiwanese Office Action dated Nov. 15, 2019 for Taiwanese Patent Application No. 108302725, a counterpart of U.S. Appl. No. 29/670,259, 4 pages.

The Taiwanese Office Action dated Nov. 15, 2019 for Taiwanese Patent Application No. 108302724, a counterpart of U.S. Appl. No. 29/670,259, 4 pages.

The Taiwanese Office Action dated Nov. 15, 2019 for Taiwanese Patent Application No. 108302726, a counterpart of U.S. Appl. No. 29/670,259, 4 pages.

The Taiwanese Office Action dated Dec. 12, 2019 for Taiwanese Patent Application No. 108302982, a counterpart of U.S. Appl. No. 29/673,311, 6 pages.

The Taiwanese Office Action dated Dec. 13, 2019 for Taiwanese Patent Application No. 108302983, a counterpart of U.S. Appl. No. 29/673,311, 3 pages.

The Australian Office Action dated Aug. 5, 2019 for Australian Patent Application No. 201913629, a counterpart of U.S. Appl. No. 29/675,488, 2 pages.

The Chinese Office Action dated Oct. 11, 2019, for Chinese Patent Application No. 201930332256.6, a counterpart foreign application of the U.S. Appl. No. 29/675,488, 1 page.

The Chinese Office Action dated Sep. 29, 2019, for Chinese Patent Application No. 201930259756.1, a counterpart foreign application of the U.S. Appl. No. 29/673,311, 1 page.

The Chinese Office Action dated Sep. 30, 2019 for Chinese Design Application No. 201930233393.4, a counterpart foreign application of the U.S. Appl. No. 29/670,249.

The Japanese Office Action dated Aug. 30, 2019, for Japanese Patent Application No. 2019-012138, a counterpart foreign application of the U.S. Appl. No. 29/673,311, 3 pages.

The Japanese Office Action dated Aug. 30, 2019, for Japanese Patent Application No. 2019-012139, a counterpart foreign application of the U.S. Appl. No. 29/673,311, 3 pages.

The Japanese Office Action dated Aug. 30, 2019, for Japanese Patent Application No. 2019-012141, a counterpart foreign application of the U.S. Appl. No. 29/673,311, 3 pages.

The Japanese Office Action dated Aug. 30, 2019, for Japanese Patent Application No. 2019-012140, a counterpart foreign application of the U.S. Appl. No. 29/673,311, 3 pages.

The Japanese Office Action dated Sep. 6, 2019, for Japanese Patent Application No. 2019-010347, a counterpart foreign application of the U.S. Appl. No. 29/670,259, 3 pages.

The Japanese Office Action dated Aug. 30, 2019, for Japanese Patent Application No. 2019-012142, a counterpart foreign application of the U.S. Appl. No. 29/673,311, 3 pages.

The Japanese Office Action dated Sep. 6, 2019, for Japanese Patent Application No. 2019-010348, a counterpart foreign application of the U.S. Appl. No. 29/670,259, 3 pages.

The PCT Search Report and Written Opinion dated Aug. 8, 2019, for the PCT Application No. PCT/US2019/027674, 12 pages.

The Non Final Office Action dated Nov. 4, 2019 for U.S. Appl. No. 16/218,920 "Audio/Video Device With Viewer" Siminoff, 8 pages.

The Japanese Office Action dated Mar. 13, 2020 for Japanese Patent Application No. 2019-018653, a counterpart of U.S. Appl. No. 29/681,330, 3 pages.

The Japanese Office Action dated Mar. 13, 2020 for Japanese Patent Application No. 2019-018654, a counterpart of U.S. Appl. No. 29/681,330, 3 pages.

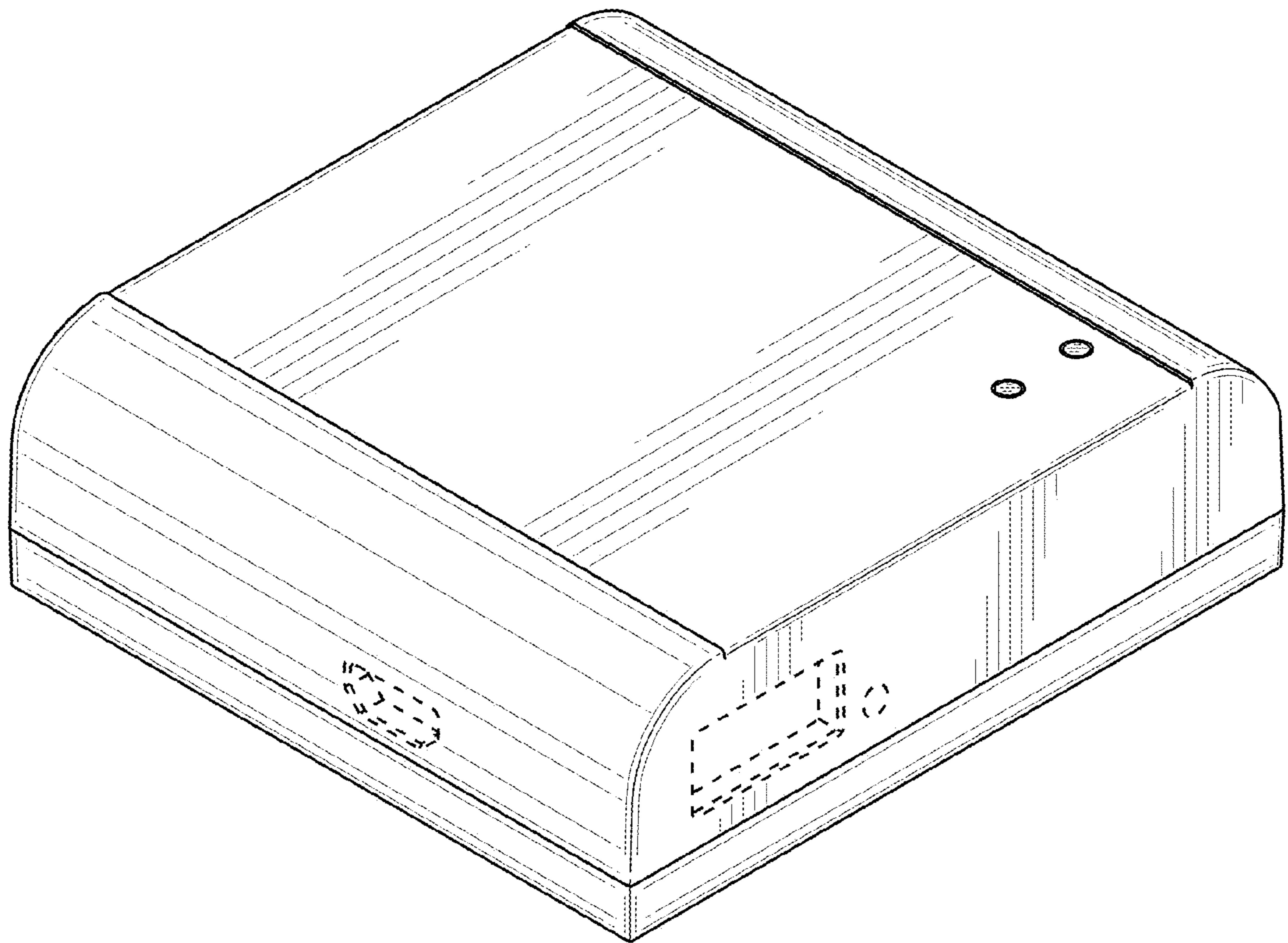
The Japanese Office Action dated Mar. 13, 2020 for Japanese Patent Application No. 2019-018655, a counterpart of U.S. Appl. No. 29/681,330, 3 pages.

The Taiwanese Office Action dated Apr. 9, 2020 for Taiwanese Patent Application No. 108302722, a counterpart of U.S. Appl. No. 29/670,249, 2 pages.

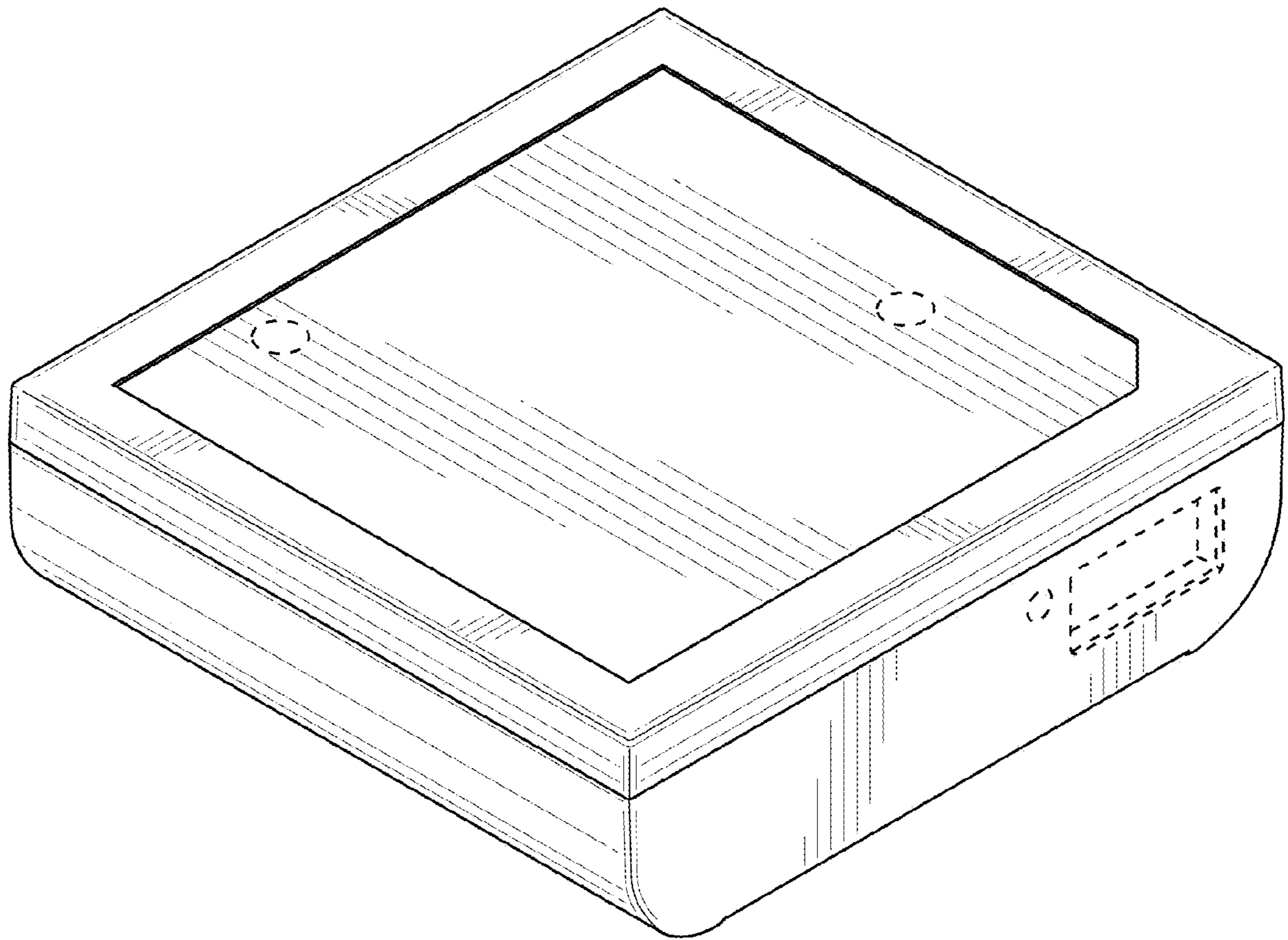
The Taiwanese Office Action dated Apr. 9, 2020 for Taiwanese Patent Application No. 108302720, a counterpart of U.S. Appl. No. 29/670,249, 5 pages.

The Taiwanese Office Action dated Apr. 9, 2020 for Taiwanese Patent Application No. 108302721, a counterpart of U.S. Appl. No. 29/670,249, 5 pages.

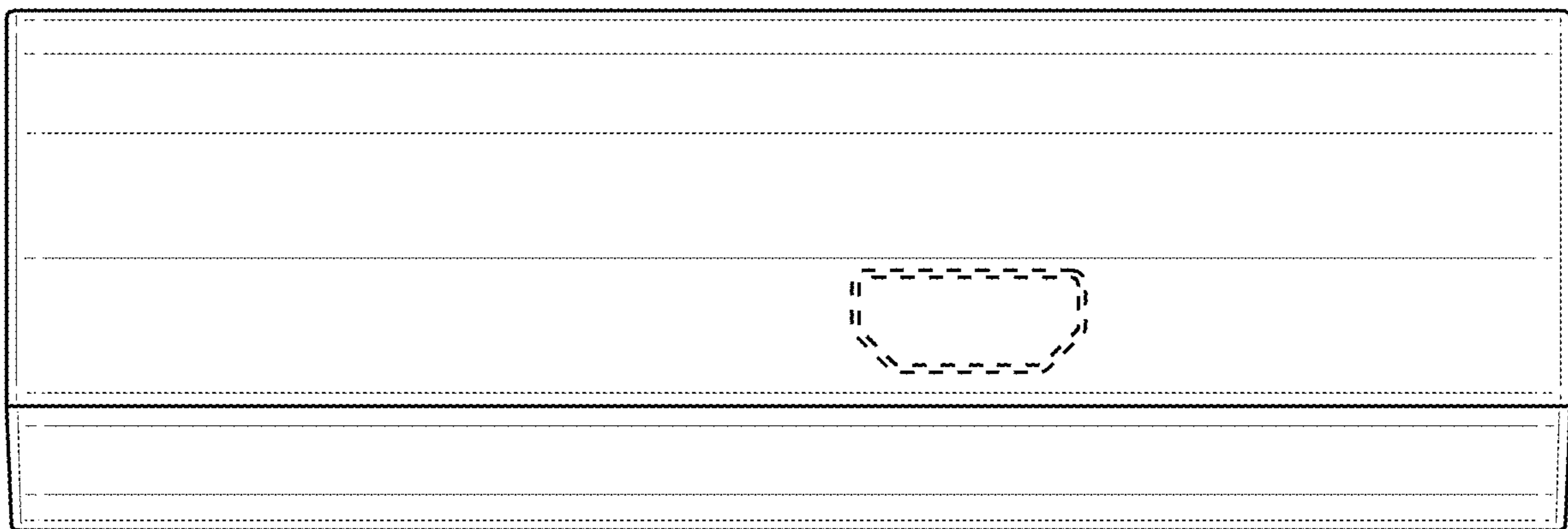
\* cited by examiner



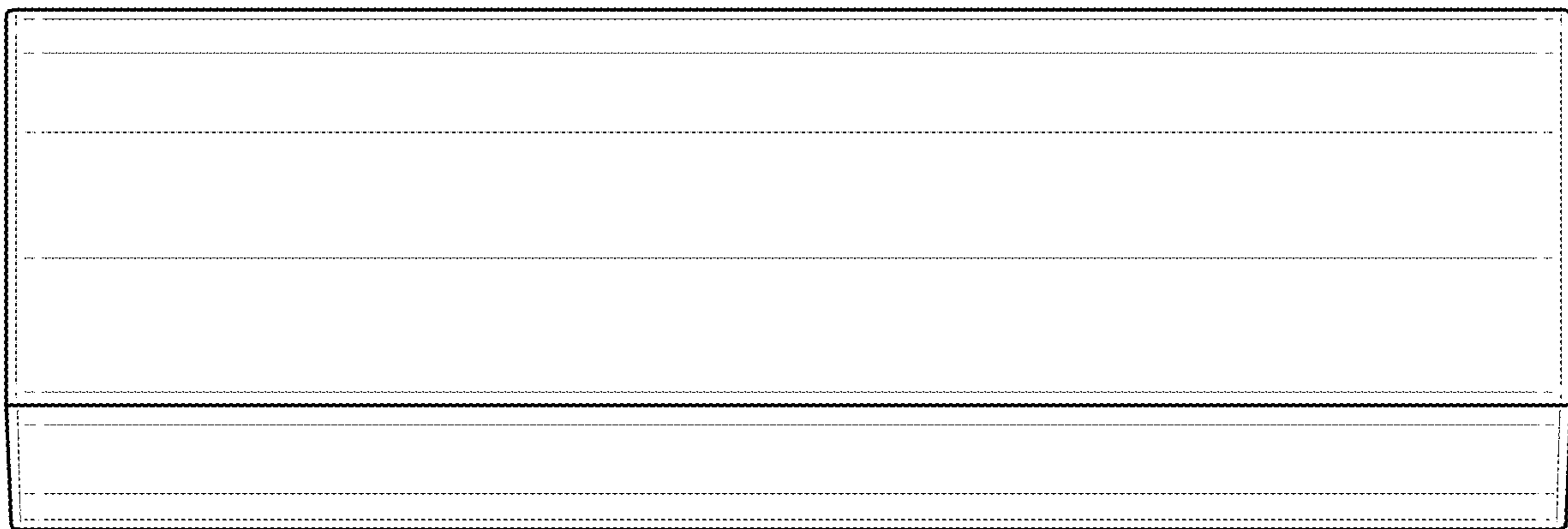
**FIG. 1**



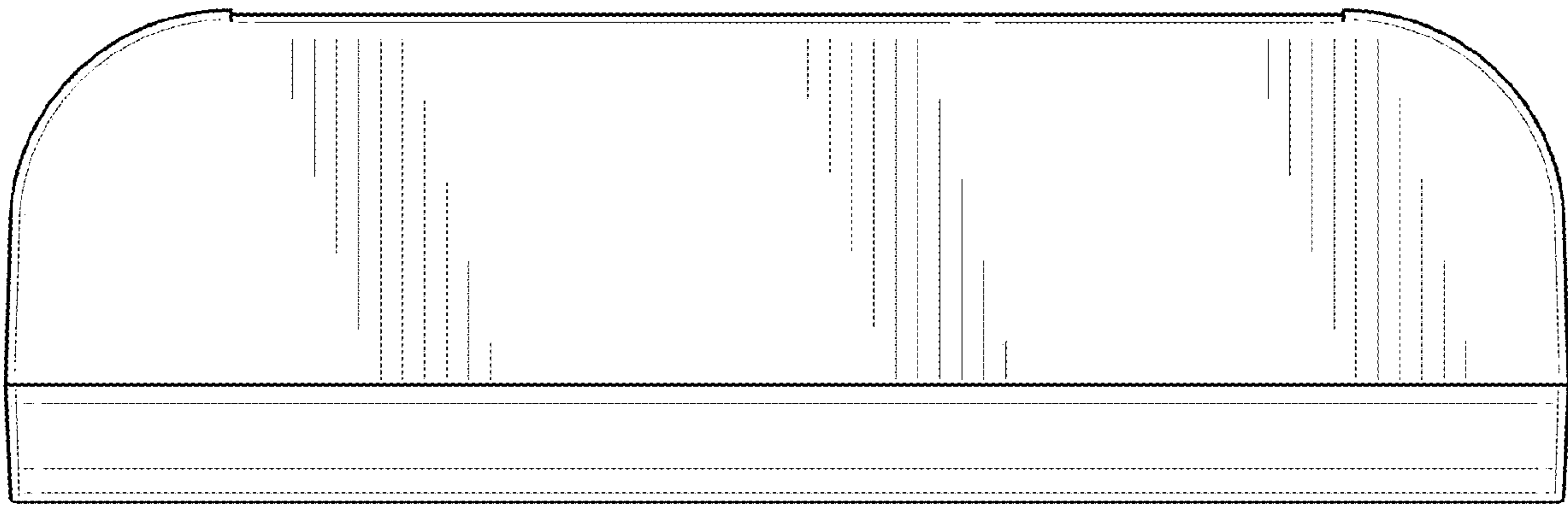
**FIG. 2**



**FIG. 3**

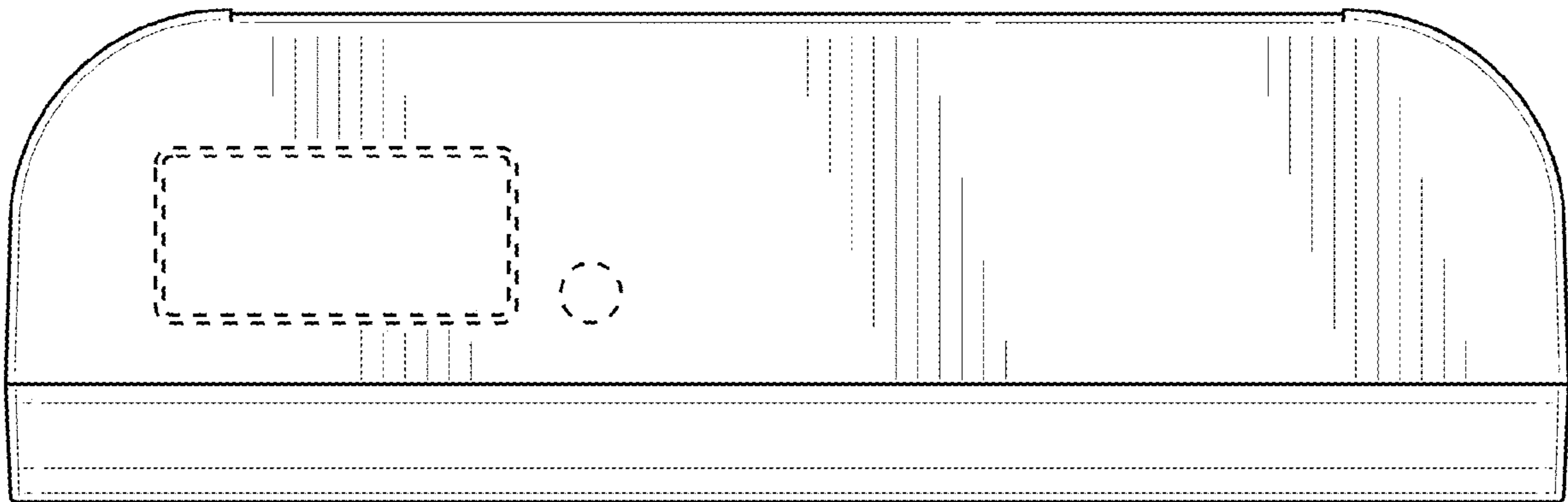


**FIG. 4**

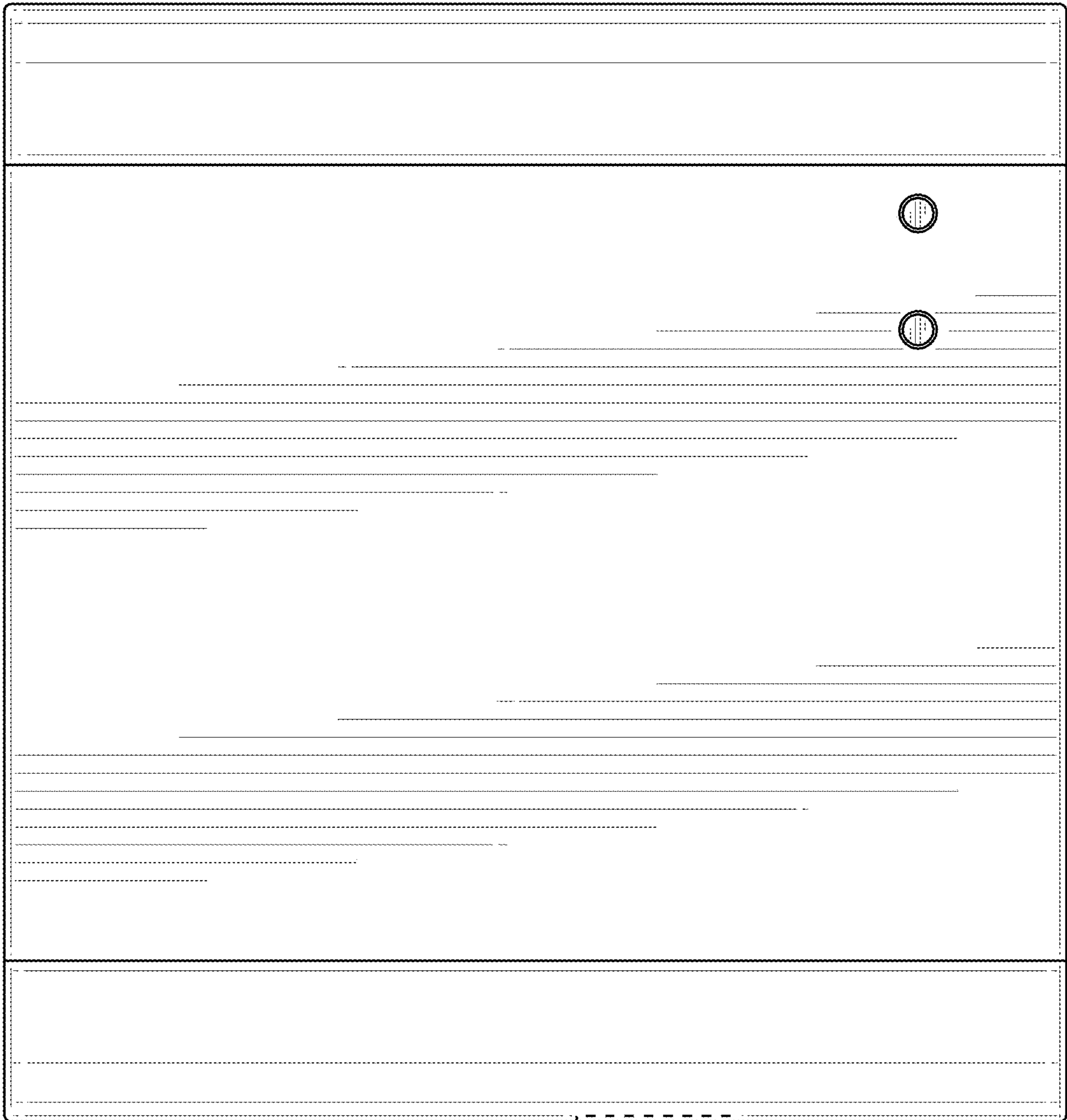


**FIG. 5**

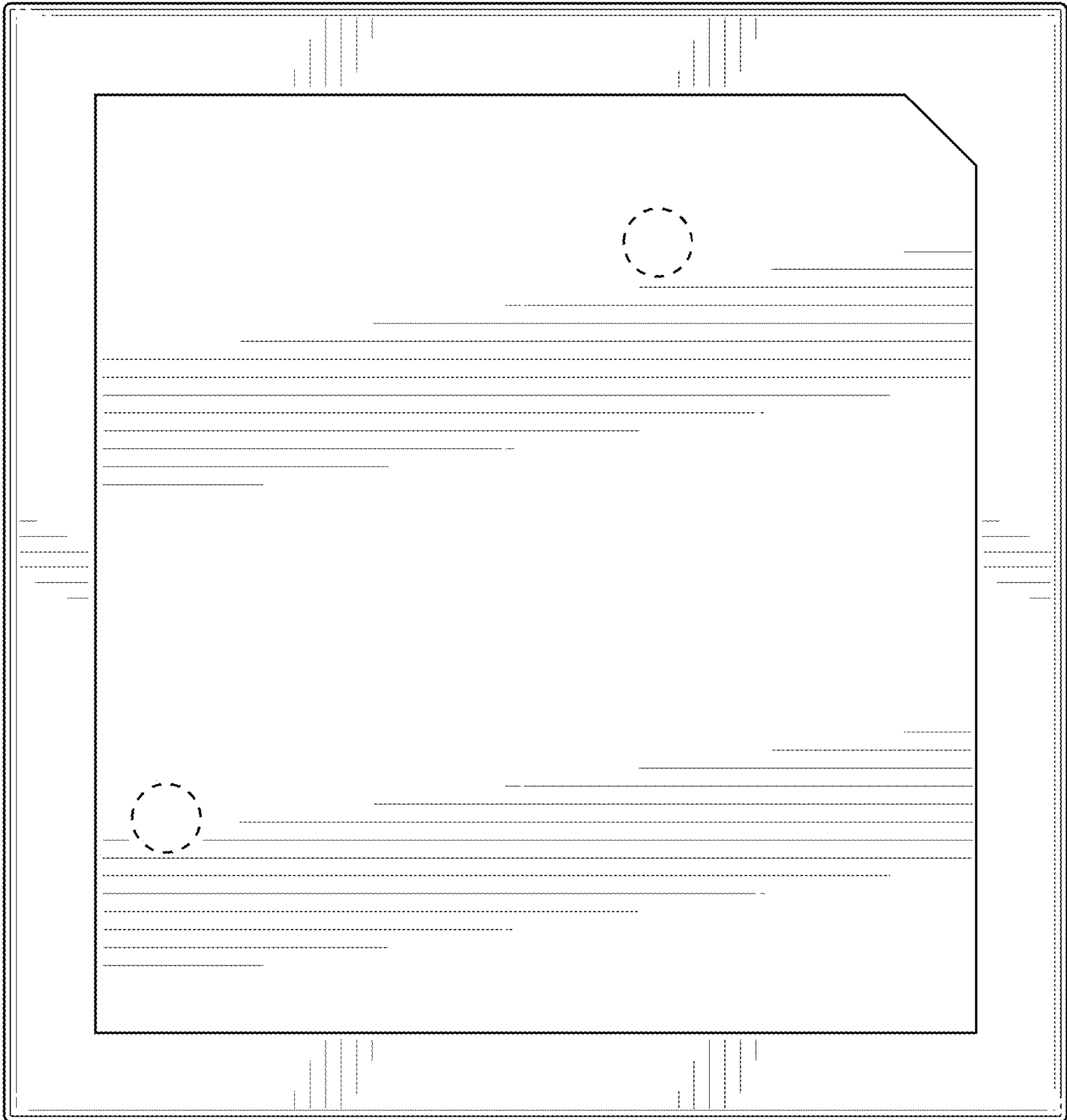




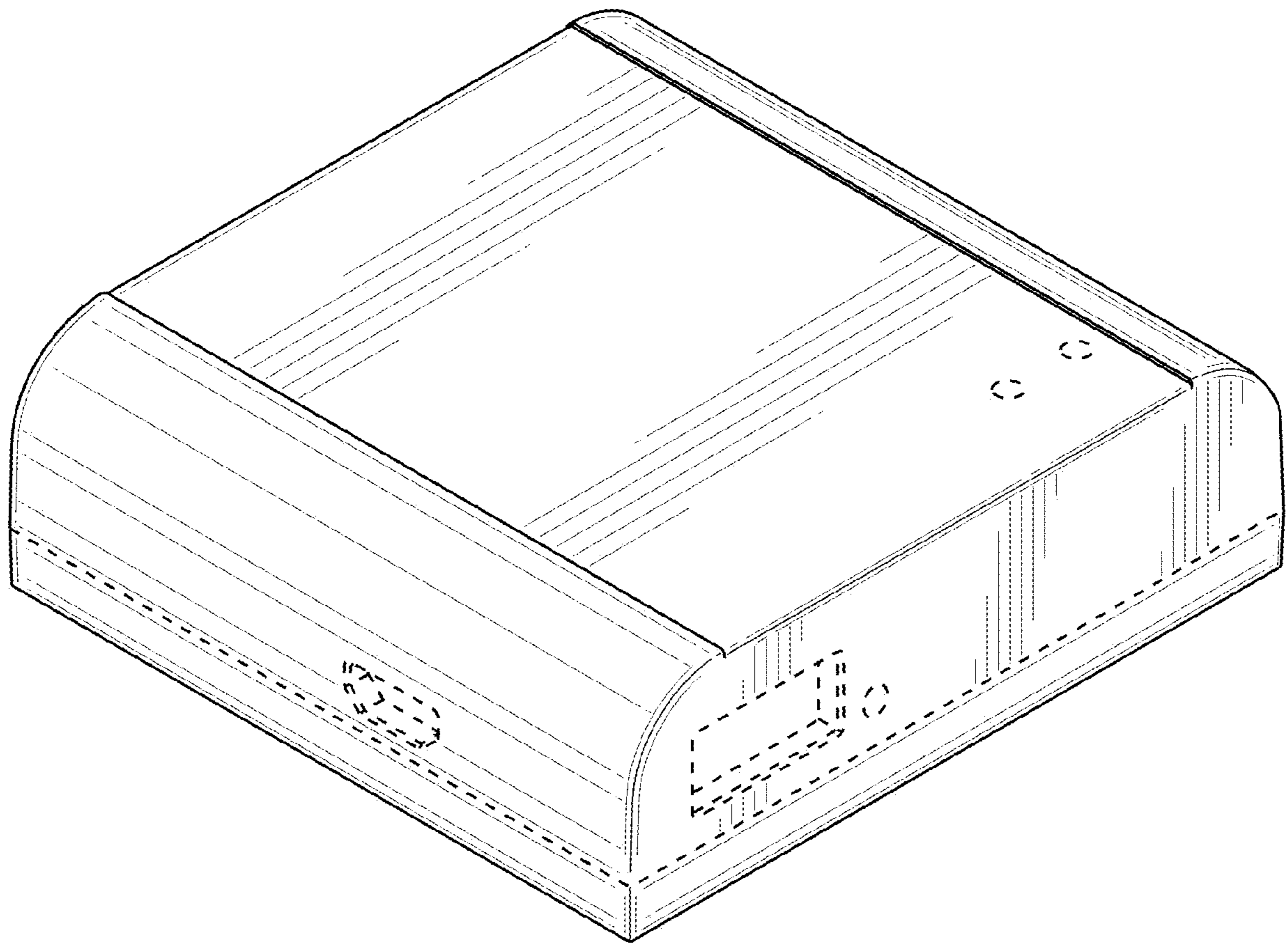
**FIG. 6**



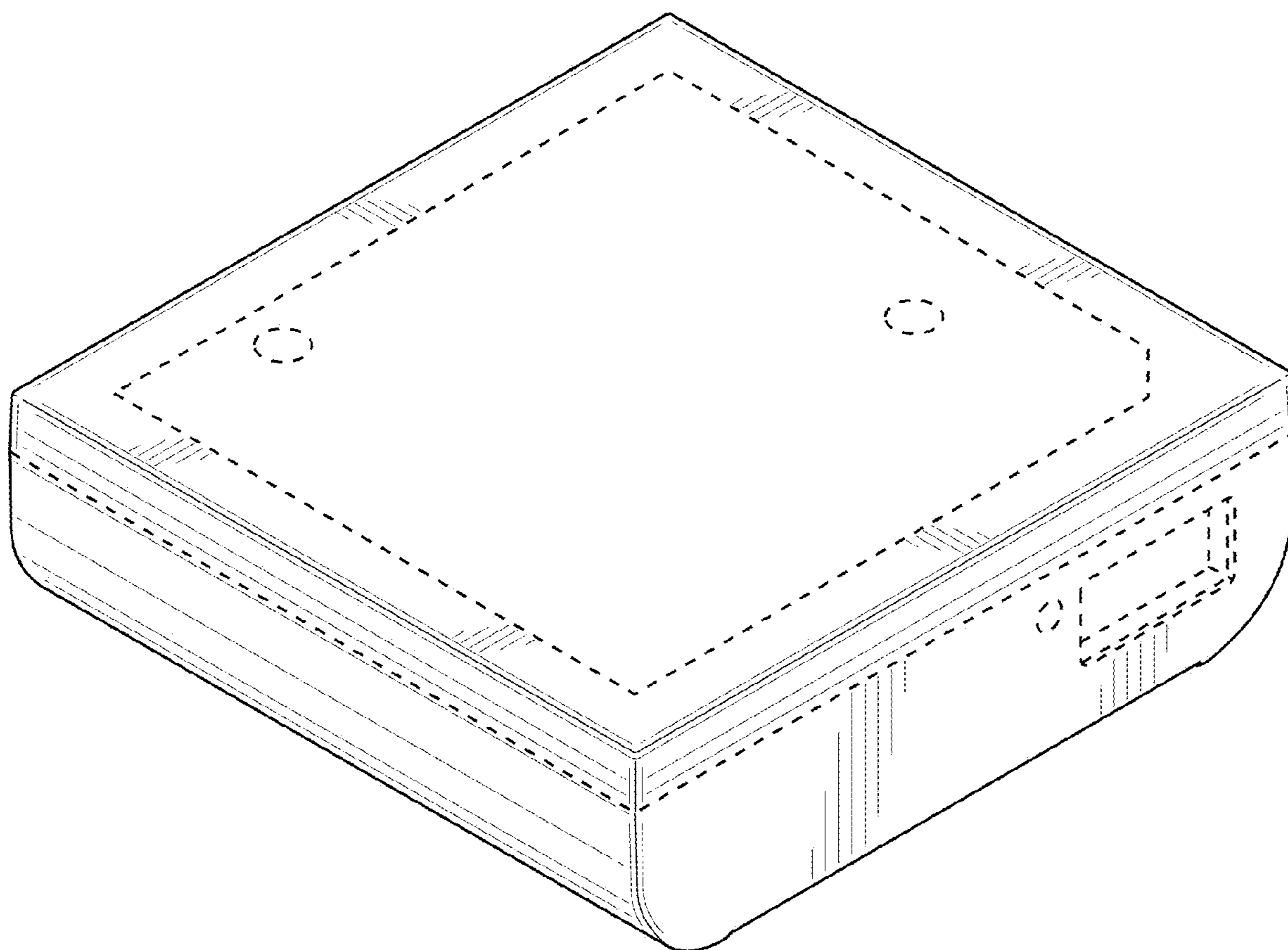
**FIG. 7**



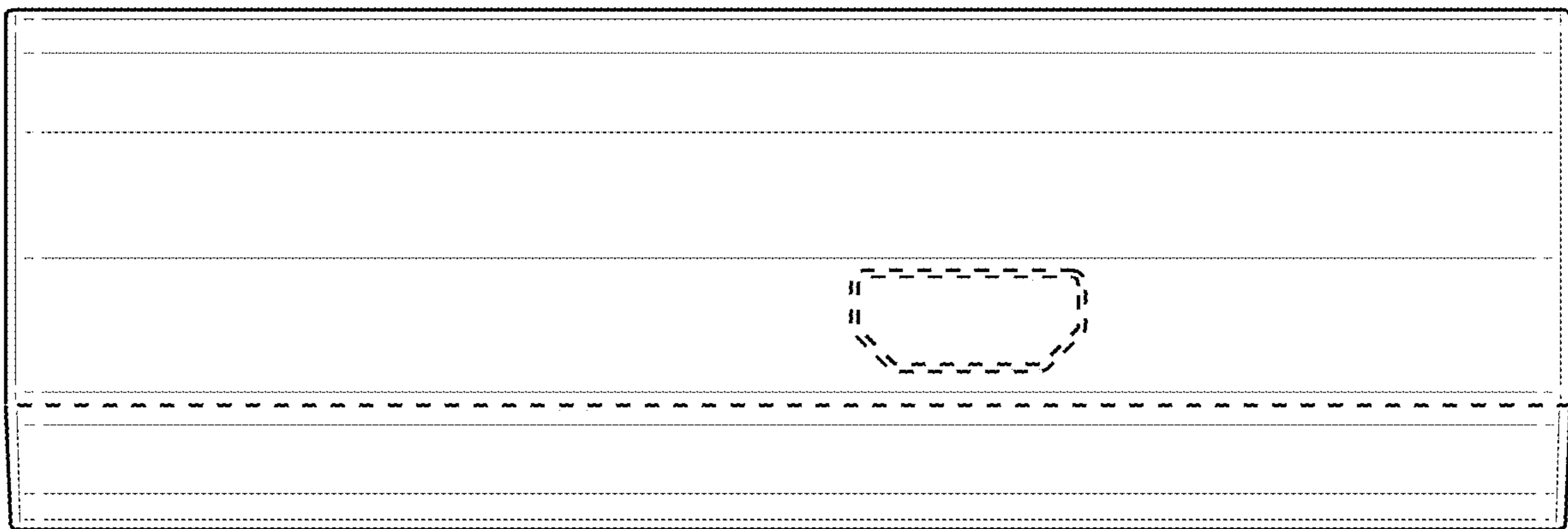
**FIG. 8**



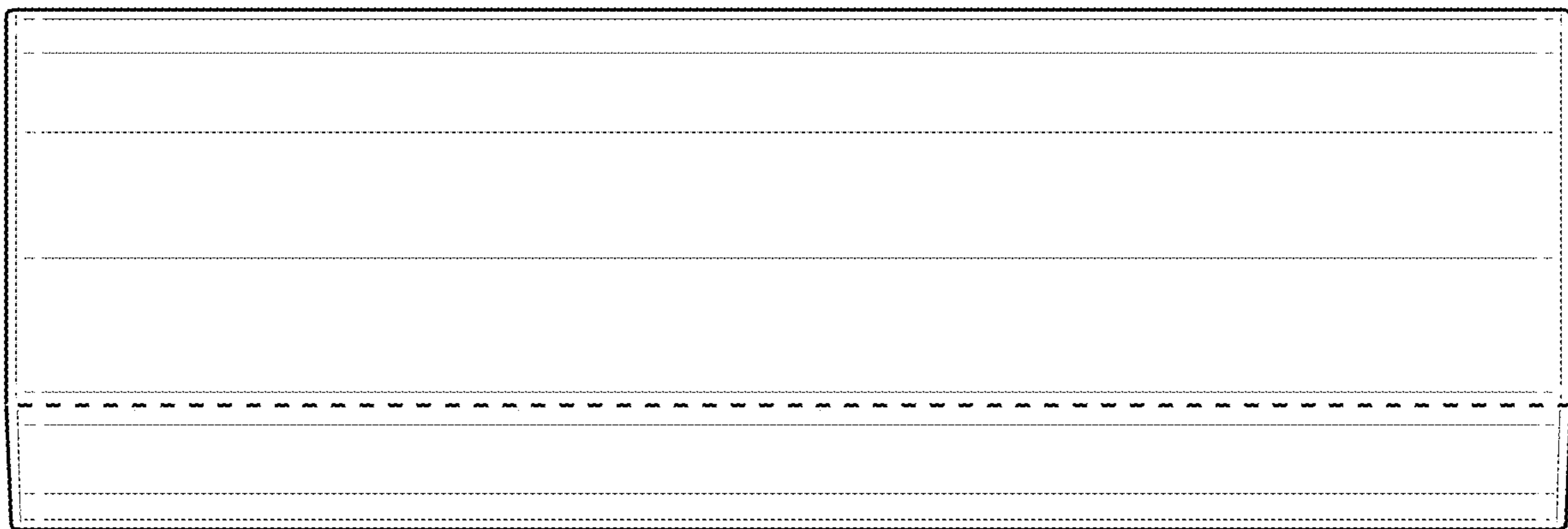
**FIG. 9**



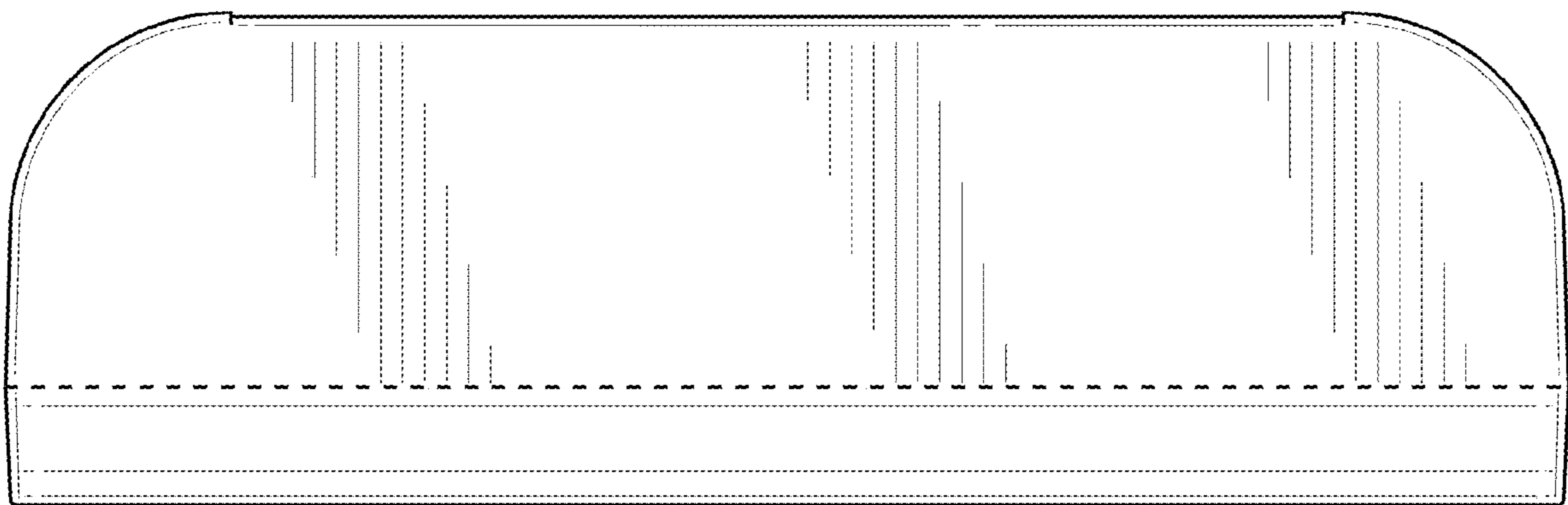
**FIG. 10**



**FIG. 11**

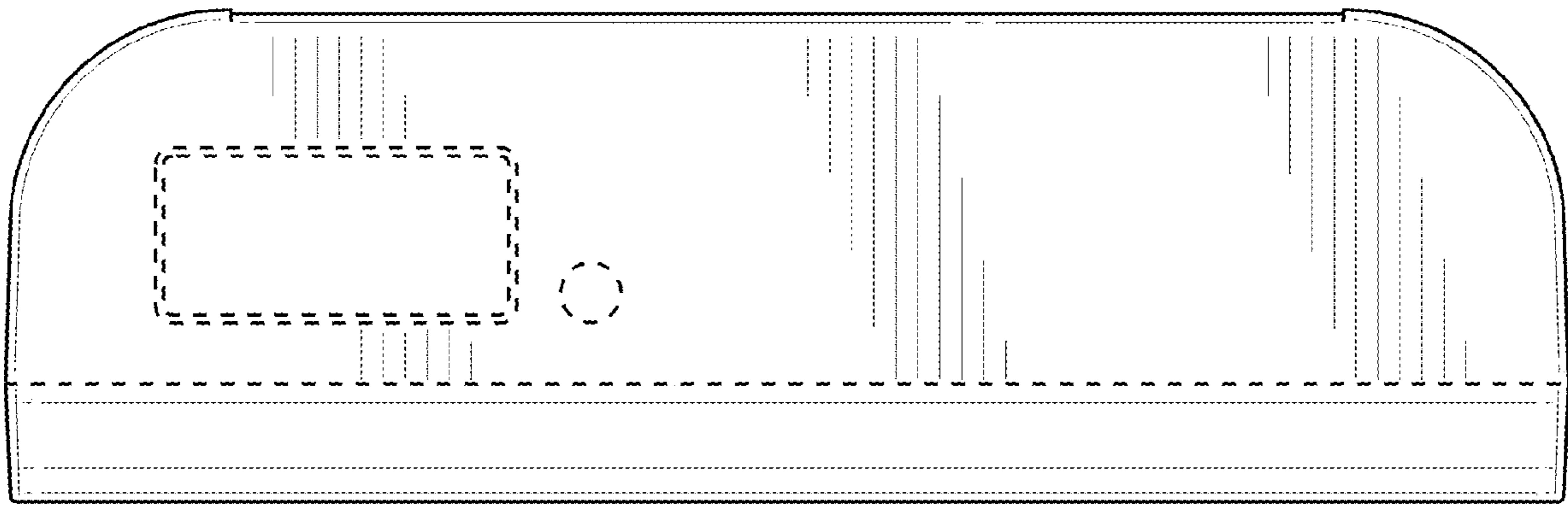


**FIG. 12**

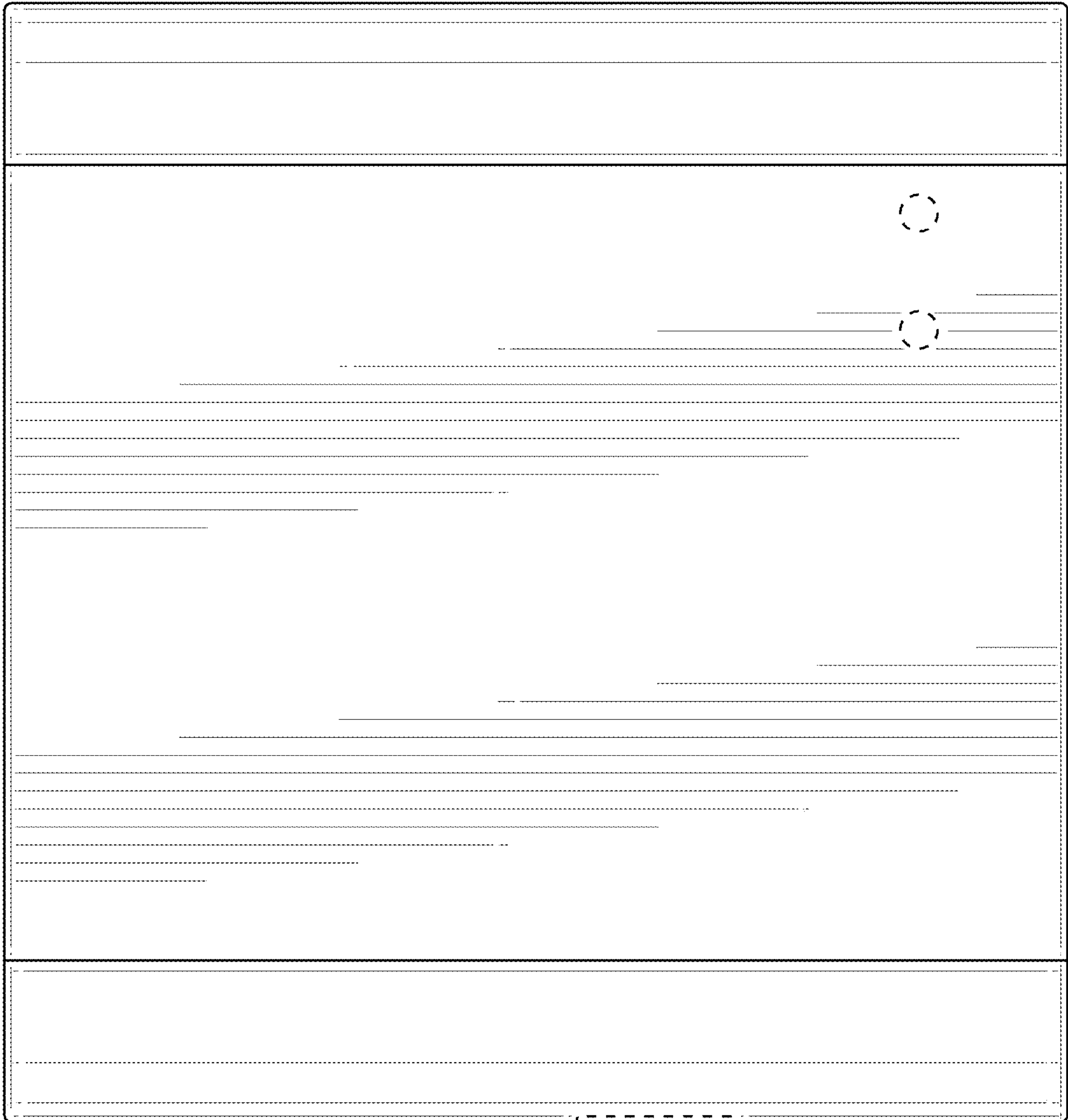


**FIG. 13**

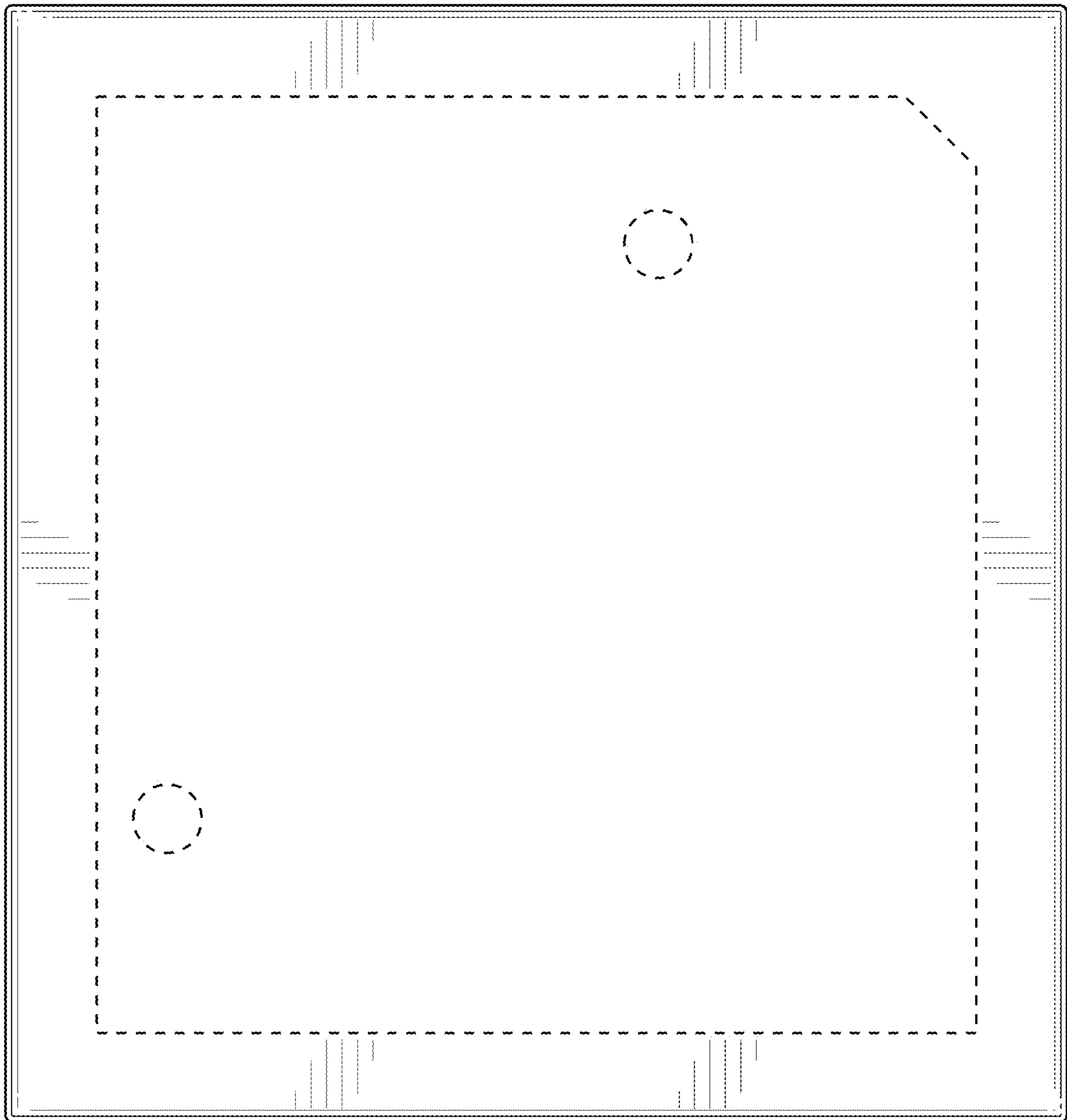




**FIG. 14**



**FIG. 15**



**FIG. 16**