



US00D937275S

(12) **United States Design Patent**  
**Cheng**

(10) **Patent No.:** **US D937,275 S**

(45) **Date of Patent:** **\*\* Nov. 30, 2021**

(54) **TABLET CASE**

(71) Applicant: **Ganhua Cheng**, Anqing (CN)

(72) Inventor: **Ganhua Cheng**, Anqing (CN)

(\*\*) Term: **15 Years**

(21) Appl. No.: **29/765,438**

(22) Filed: **Jan. 8, 2021**

(51) **LOC (13) Cl.** ..... **14-02**

(52) **U.S. Cl.**  
USPC ..... **D14/440**

(58) **Field of Classification Search**  
USPC ..... D14/440, 447, 250; 206/45.23, 320,  
206/45.2; 361/679.55; 294/25; 224/218;  
D3/294; D9/420

CPC .... G06F 1/1628; G06F 1/1626; A47B 23/044  
See application file for complete search history.

(56) **References Cited**

**U.S. PATENT DOCUMENTS**

D660,305 S *	5/2012	Ho	.....	D14/447
D674,803 S *	1/2013	Westrup	.....	A45C 3/02
				D14/440
9,074,725 B2 *	7/2015	Trotsky	.....	H05K 5/0204
D747,321 S *	1/2016	London	.....	D14/440
D824,911 S *	8/2018	London	.....	D14/440
D837,219 S *	1/2019	Gao	.....	D14/440
D858,507 S *	9/2019	Jang	.....	D14/251
D863,312 S	10/2019	Liu		
D874,454 S *	2/2020	Lederer	.....	D14/253
D883,987 S *	5/2020	Cheng	.....	D14/440
D895,630 S	9/2020	Piper et al.		

D897,348 S *	9/2020	Liao	.....	D14/440
D898,036 S *	10/2020	Cheng	.....	D14/440
D906,337 S *	12/2020	Cheng	.....	D14/440
D912,282 S *	3/2021	Kim	.....	D14/447
D917,491 S *	4/2021	Cheng	.....	D14/440
2010/0123062 A1 *	5/2010	Jones	.....	F16M 13/02
				248/222.14
2012/0104185 A1 *	5/2012	Carroll	.....	F16M 11/041
				248/27.1
2015/0009610 A1 *	1/2015	London	.....	G06F 1/163
				361/679.03
2017/0196327 A1 *	7/2017	Ma	.....	H04B 1/3888

\* cited by examiner

*Primary Examiner* — Cynthia R Underwood

(57) **CLAIM**

The ornamental design for a tablet case, as shown and described.

**DESCRIPTION**

FIG. 1 is a perspective view of a tablet case showing my new design;

FIG. 2 is another perspective view thereof;

FIG. 3 is a front elevational view thereof;

FIG. 4 is a rear elevational view thereof;

FIG. 5 is a left side elevational view thereof;

FIG. 6 is a right side elevational view thereof;

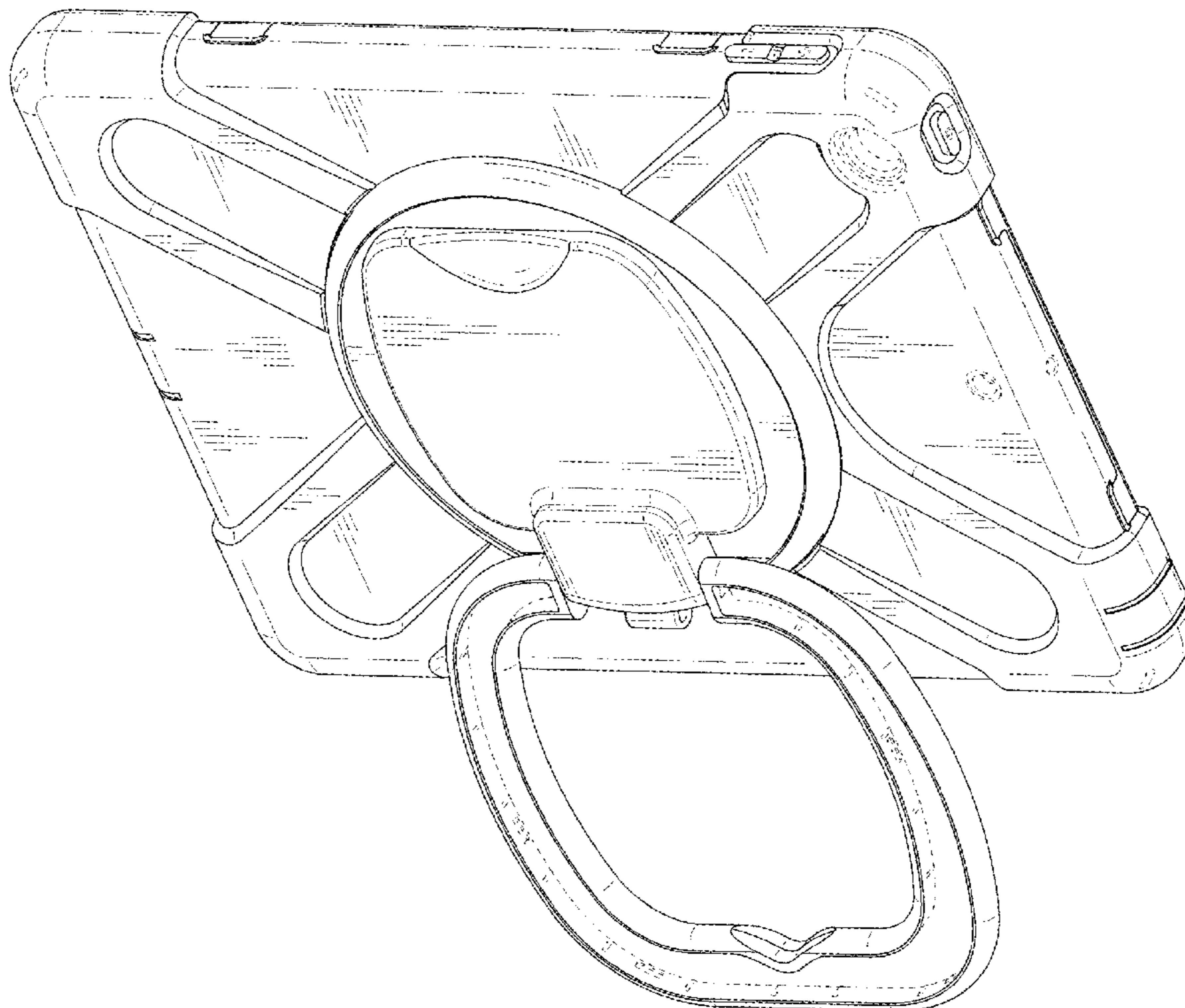
FIG. 7 is a top plan view thereof;

FIG. 8 is a bottom plan view thereof; and,

FIG. 9 is a perspective view of the tablet case where the tablet case is in a configuration of use.

The broken lines in the drawings depict portions of the tablet case that form no part of the claimed design.

**1 Claim, 9 Drawing Sheets**



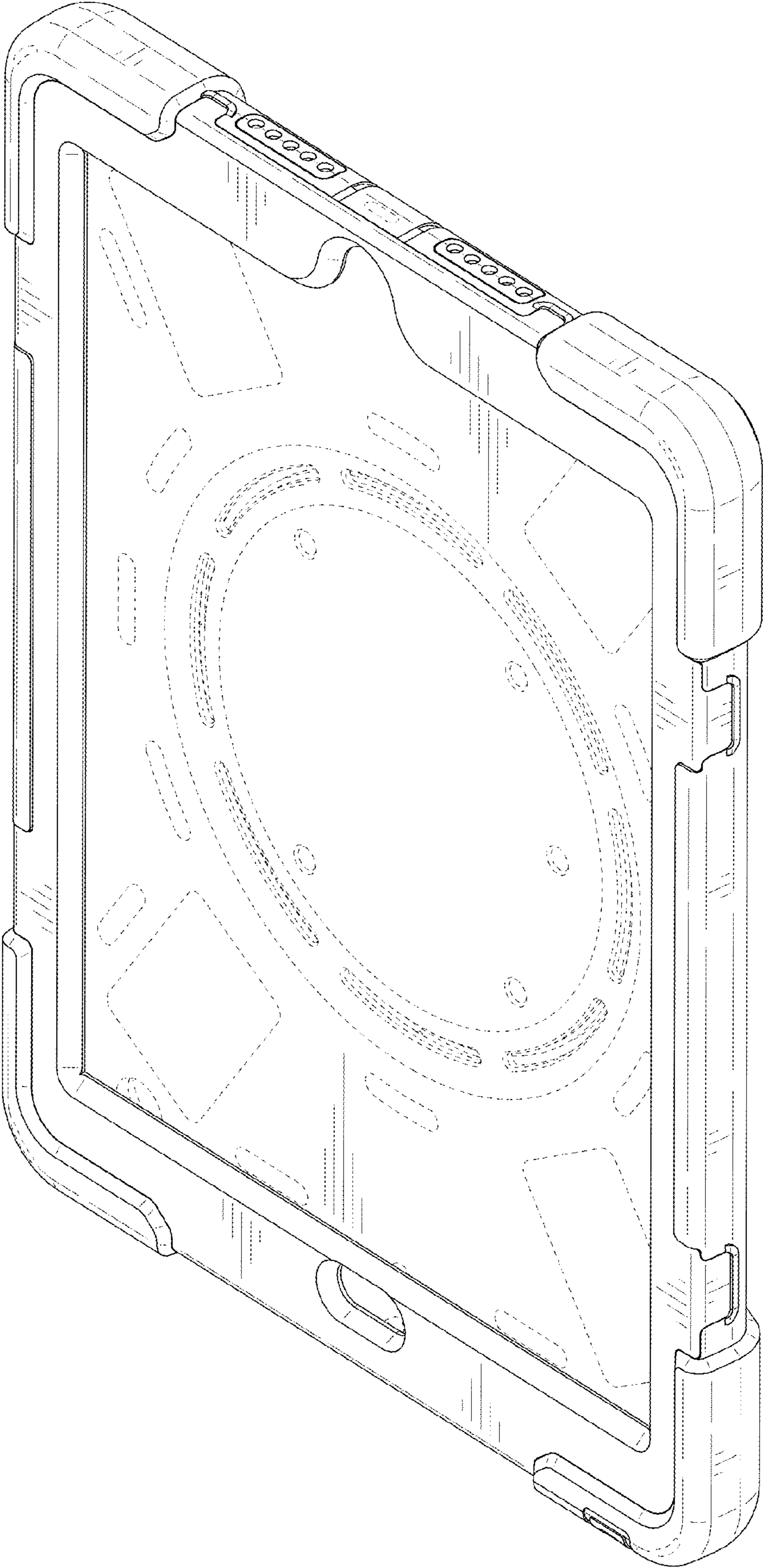


FIG. 1



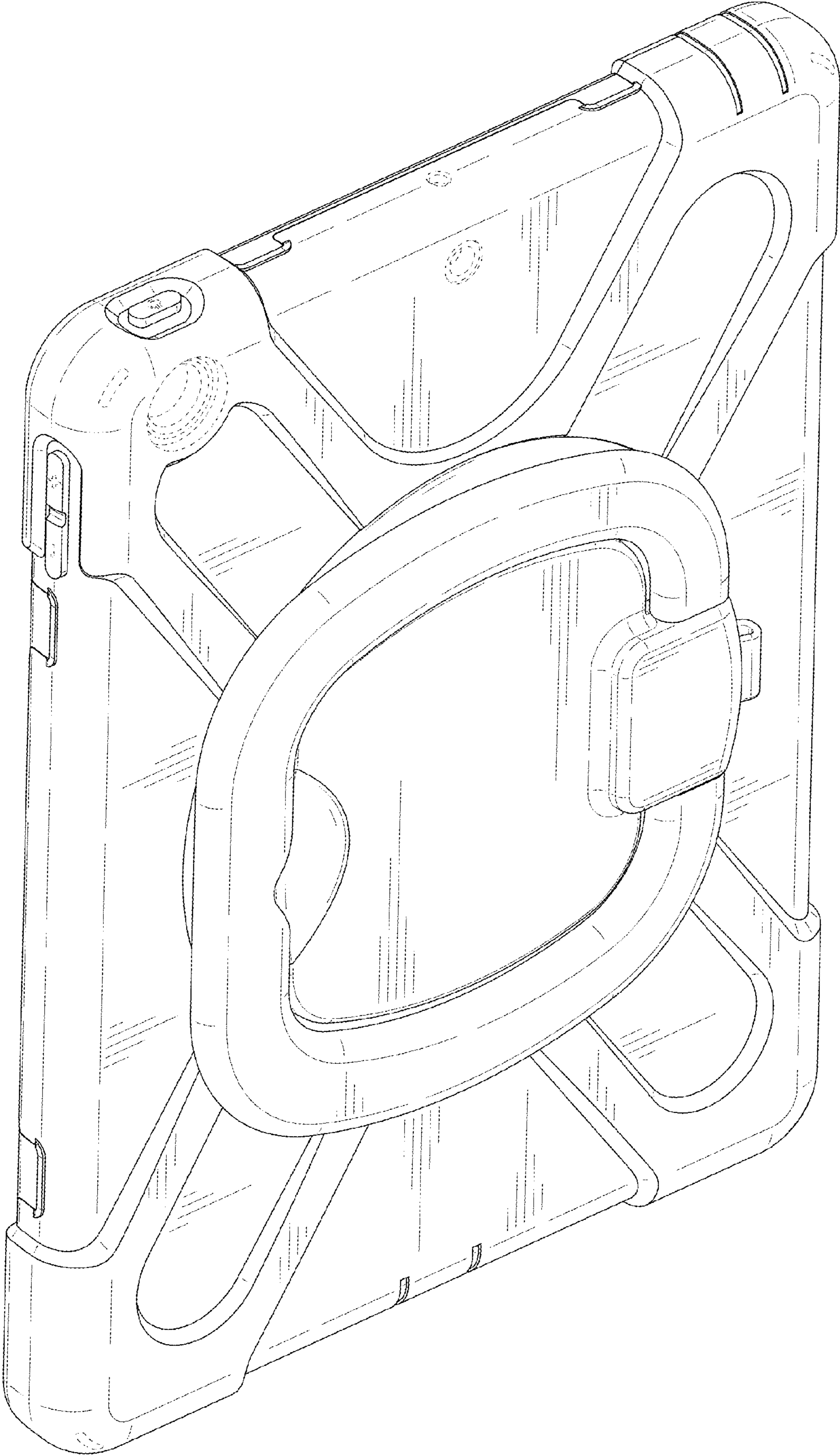


FIG. 2

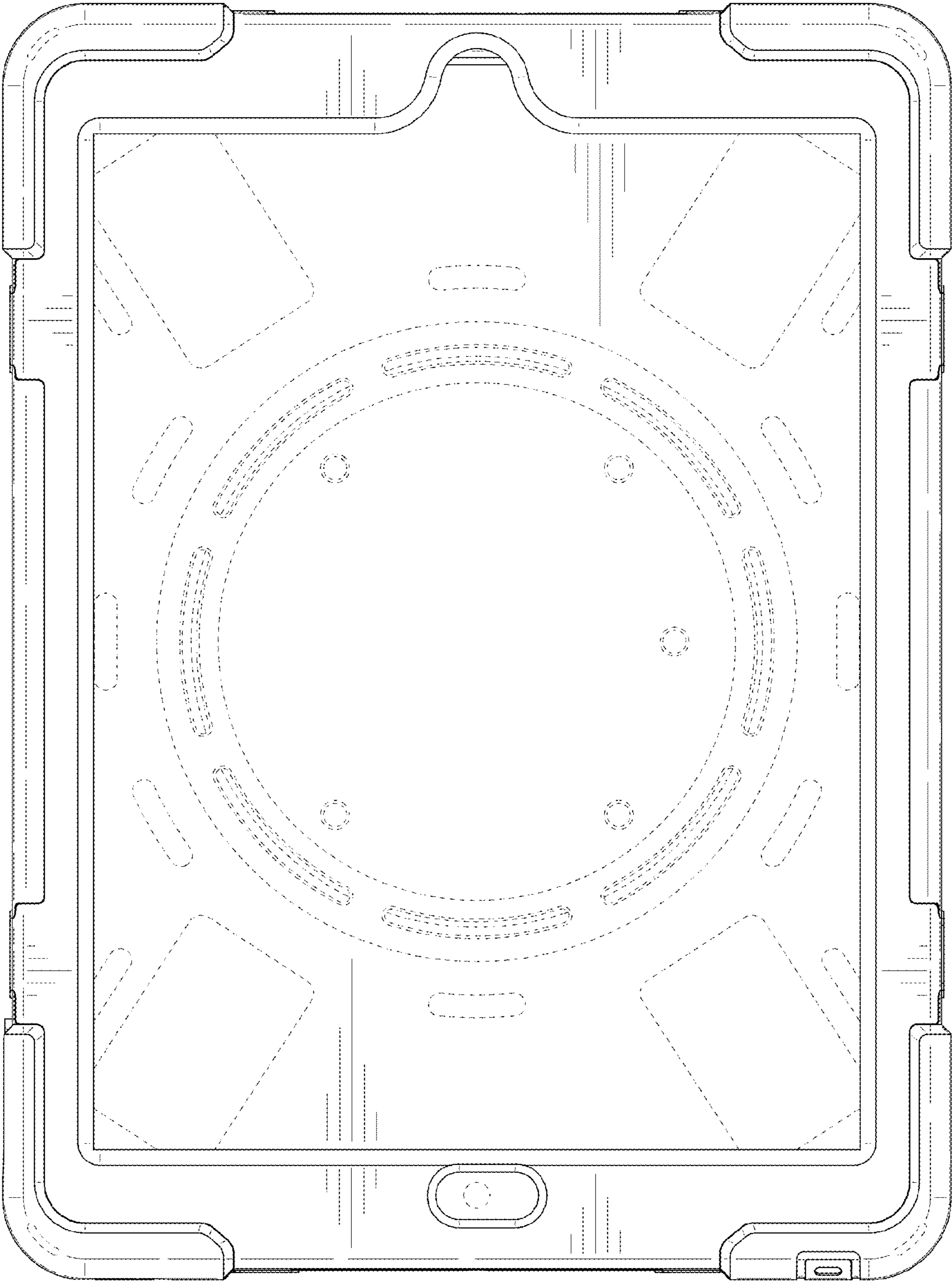


FIG. 3

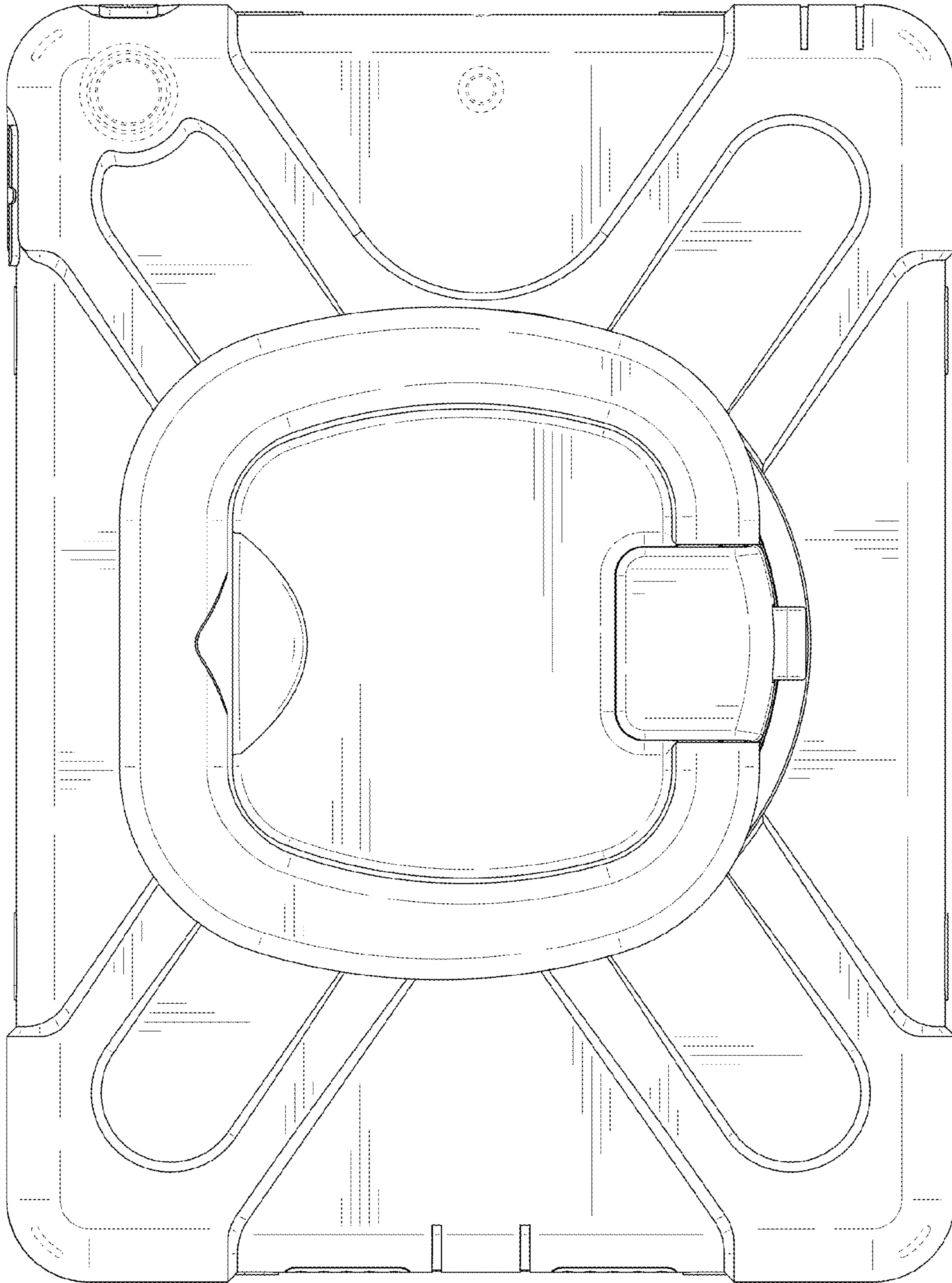


FIG. 4

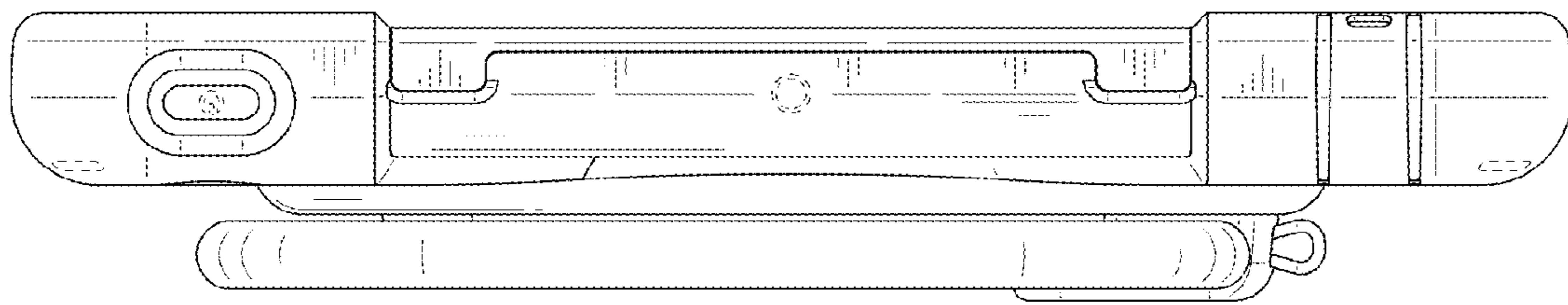


FIG. 5

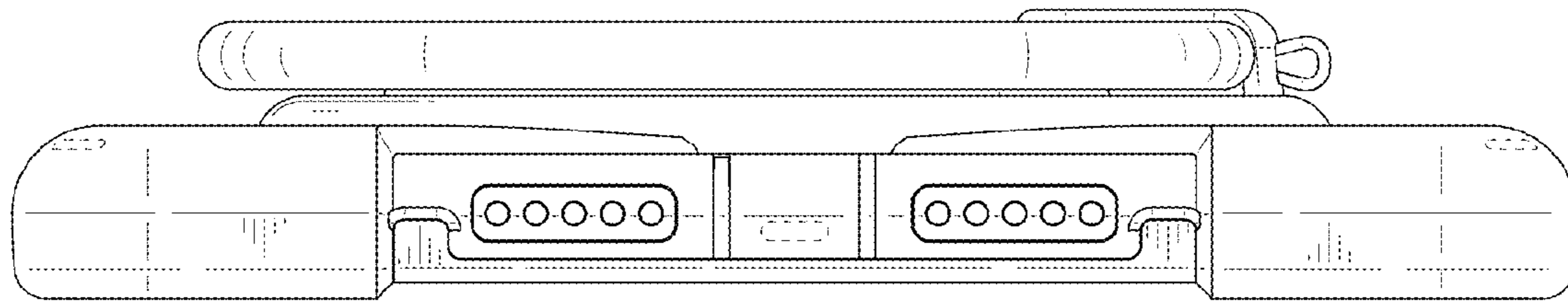


FIG. 6



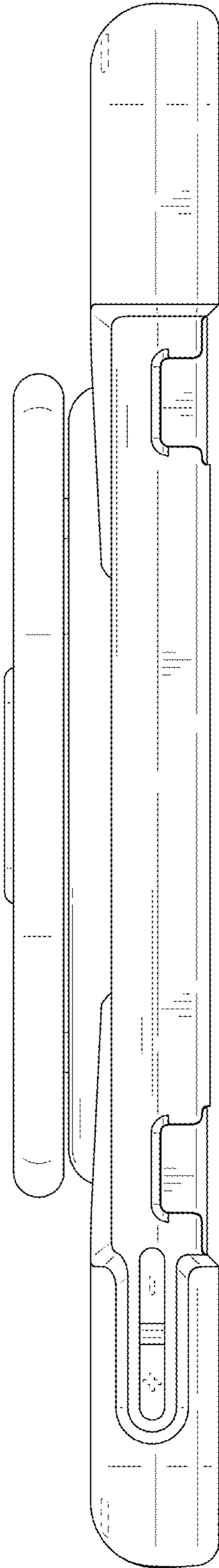


FIG. 7



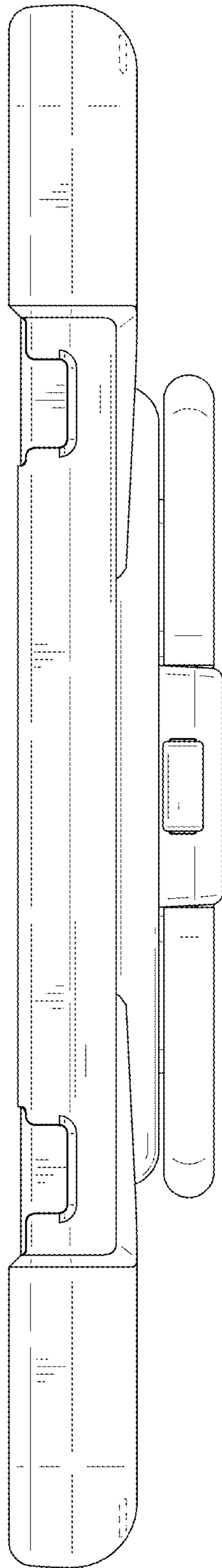


FIG. 8

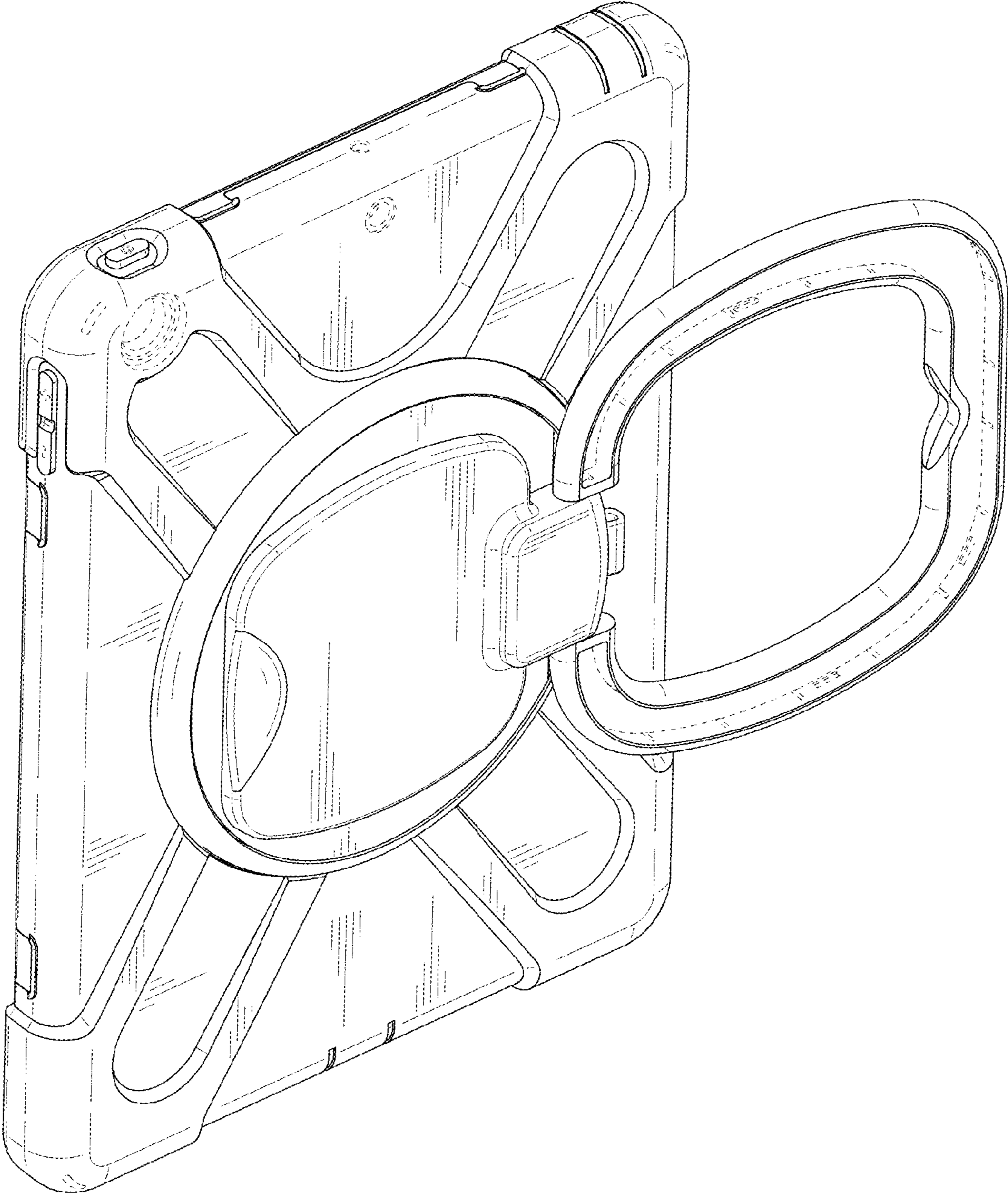


FIG. 9