



US00D937274S

(12) **United States Design Patent** (10) **Patent No.:** **US D937,274 S**  
**Shen** (45) **Date of Patent:** **\*\* Nov. 30, 2021**

(54) **PORTABLE ELECTRONIC DEVICE CASE**  
(71) Applicant: **Zhaohong Xu**, Shenzhen (CN)  
(72) Inventor: **Enxi Shen**, Guangdong Province (CN)  
(73) Assignee: **Zhaohong Xu**, Shenzhen (CN)  
(\*\*) Term: **15 Years**

D863,286 S \* 10/2019 Hong ..... D14/250  
D865,739 S \* 11/2019 Altschul ..... D14/250  
D900,828 S \* 11/2020 Chen ..... D14/440  
D902,216 S \* 11/2020 Xu ..... D14/440  
D908,132 S \* 1/2021 Poon ..... D14/440  
D920,982 S \* 6/2021 Xu ..... D14/440  
D923,012 S \* 6/2021 Li ..... D14/440  
D930,002 S \* 9/2021 Zhou ..... D14/440  
2019/0068230 A1 \* 2/2019 Sasaki ..... H04B 1/3888  
2019/0227595 A1 \* 7/2019 Ferren ..... F16M 13/04

(21) Appl. No.: **29/764,618**  
(22) Filed: **Dec. 31, 2020**

(30) **Foreign Application Priority Data**  
Aug. 6, 2020 (CN) ..... 202030441960.8  
(51) **LOC (13) Cl.** ..... **14-02**  
(52) **U.S. Cl.**  
USPC ..... **D14/440**  
(58) **Field of Classification Search**  
USPC ..... D14/250, 400, 401, 440, 454; D3/201,  
D3/215, 218; D21/333  
CPC ... G06F 1/1626; G06F 1/1628; A47B 23/044;  
H04B 1/3888  
See application file for complete search history.

**FOREIGN PATENT DOCUMENTS**

CN 306245395 \* 12/2020  
\* cited by examiner

*Primary Examiner* — Wendy L Arminio  
(74) *Attorney, Agent, or Firm* — ZANIP

(57) **CLAIM**

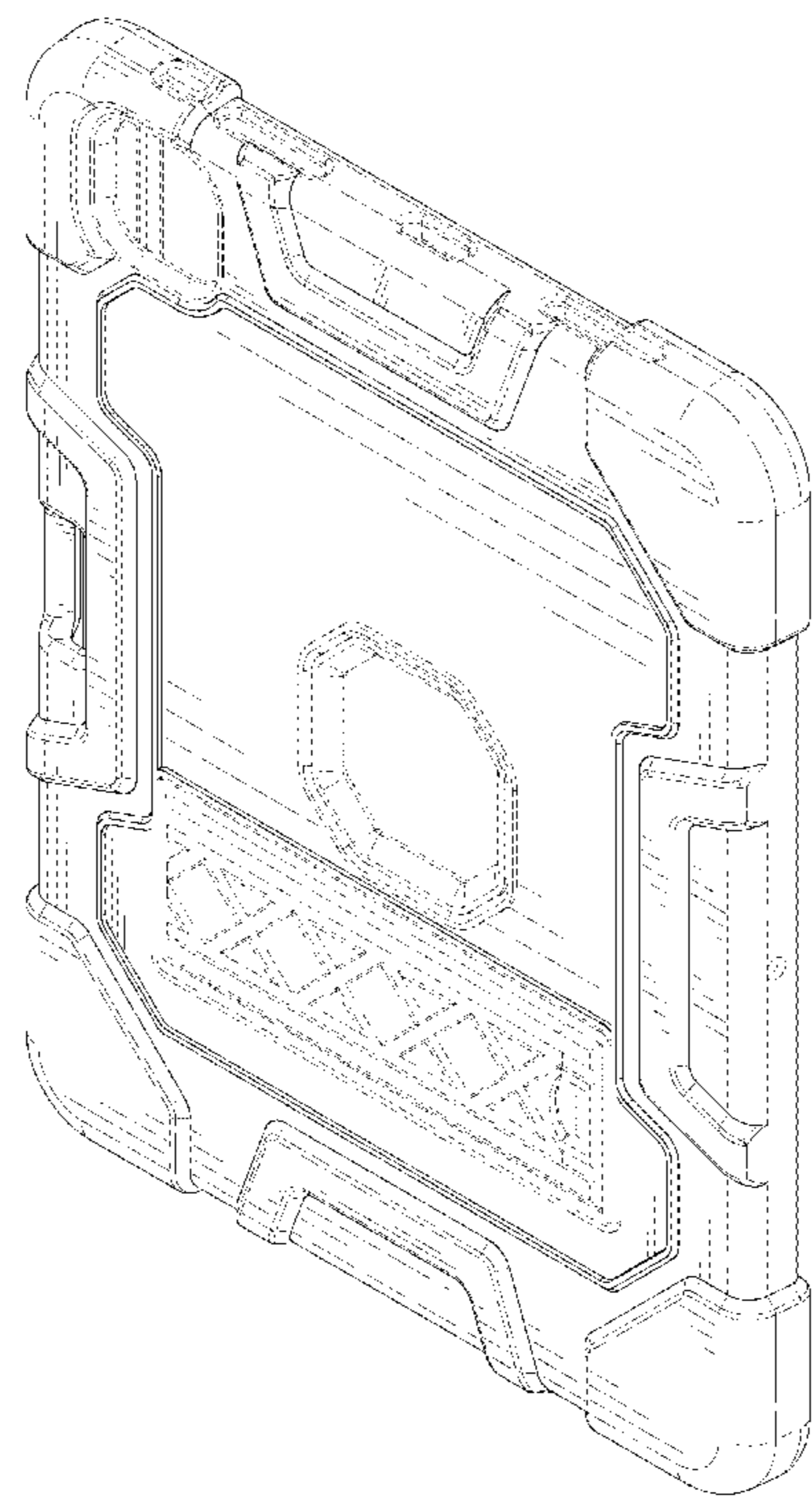
The ornamental design for a portable electronic device case, as shown and described.

**DESCRIPTION**

FIG. 1 is a front and top perspective view of a portable electronic device case, showing my new design; FIG. 2 is a rear and bottom perspective view thereof; FIG. 3 is a front elevational view thereof; FIG. 4 is a rear elevational view thereof; FIG. 5 is a left side elevational view thereof; FIG. 6 is a right side elevational view thereof; FIG. 7 is a top plan view thereof; and, FIG. 8 is a bottom plan view thereof. The broken lines in the figures illustrate portions of the portable electronic device case that form no part of the claimed design.

(56) **References Cited**  
**U.S. PATENT DOCUMENTS**  
D790,550 S \* 6/2017 Chen ..... D14/440  
D803,221 S \* 11/2017 Guo ..... D14/440  
D806,080 S \* 12/2017 Chen ..... D14/440  
D831,030 S \* 10/2018 Gao ..... D14/440  
D837,796 S 1/2019 Kim et al.  
D847,817 S \* 5/2019 Cheng ..... D14/440  
D850,451 S \* 6/2019 Chen ..... D14/440

**1 Claim, 8 Drawing Sheets**



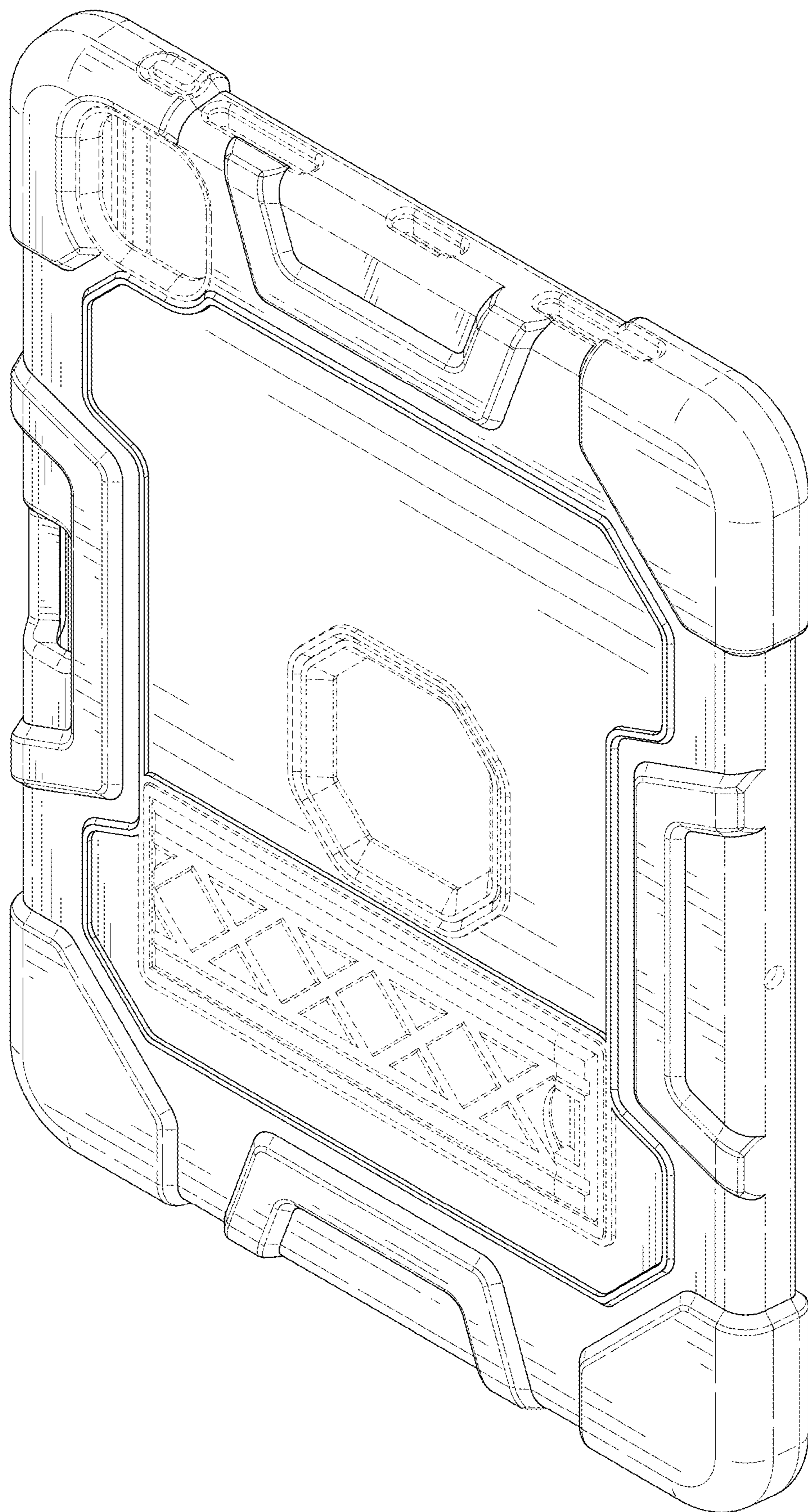


FIG. 1

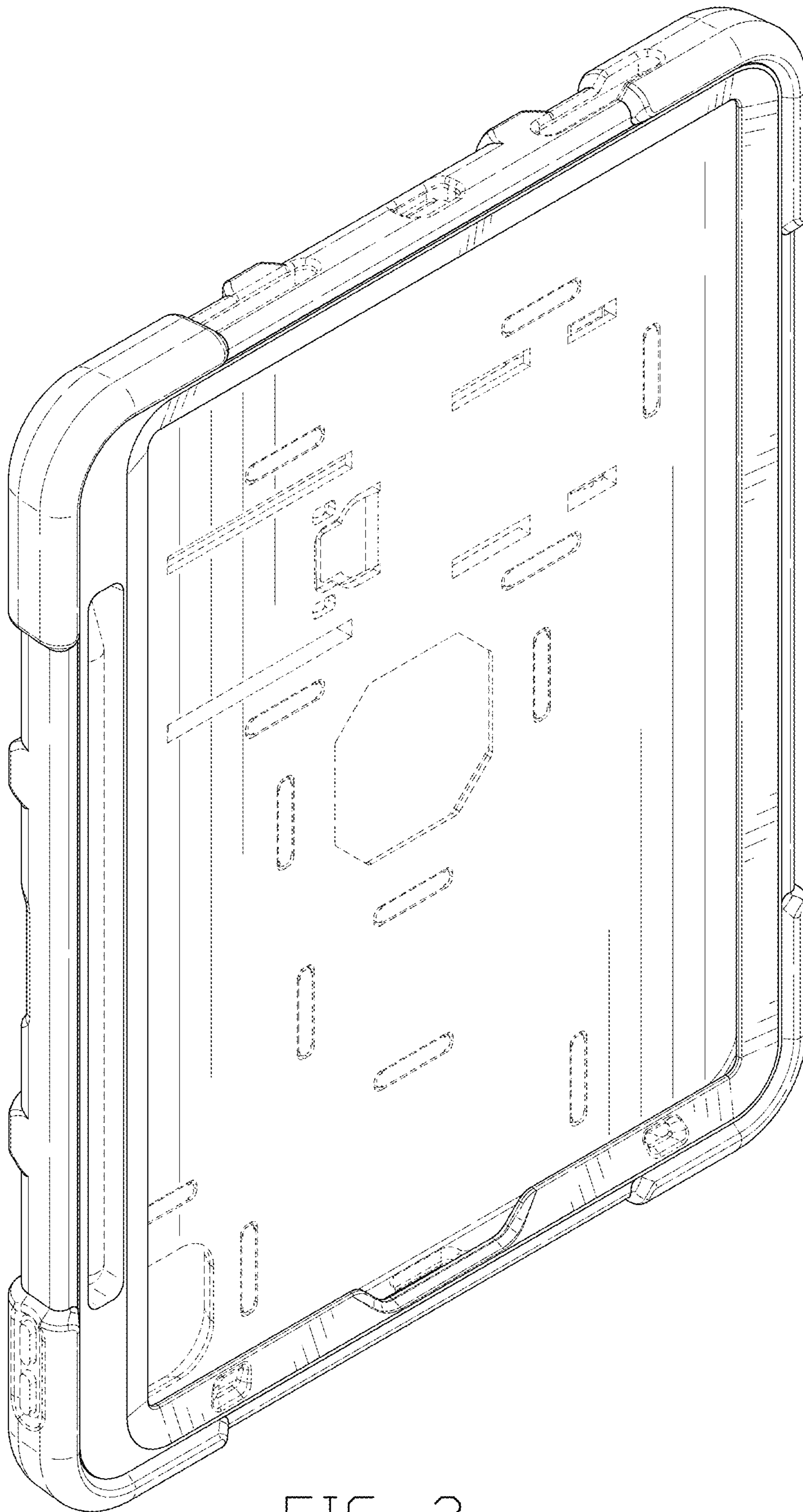


FIG. 2

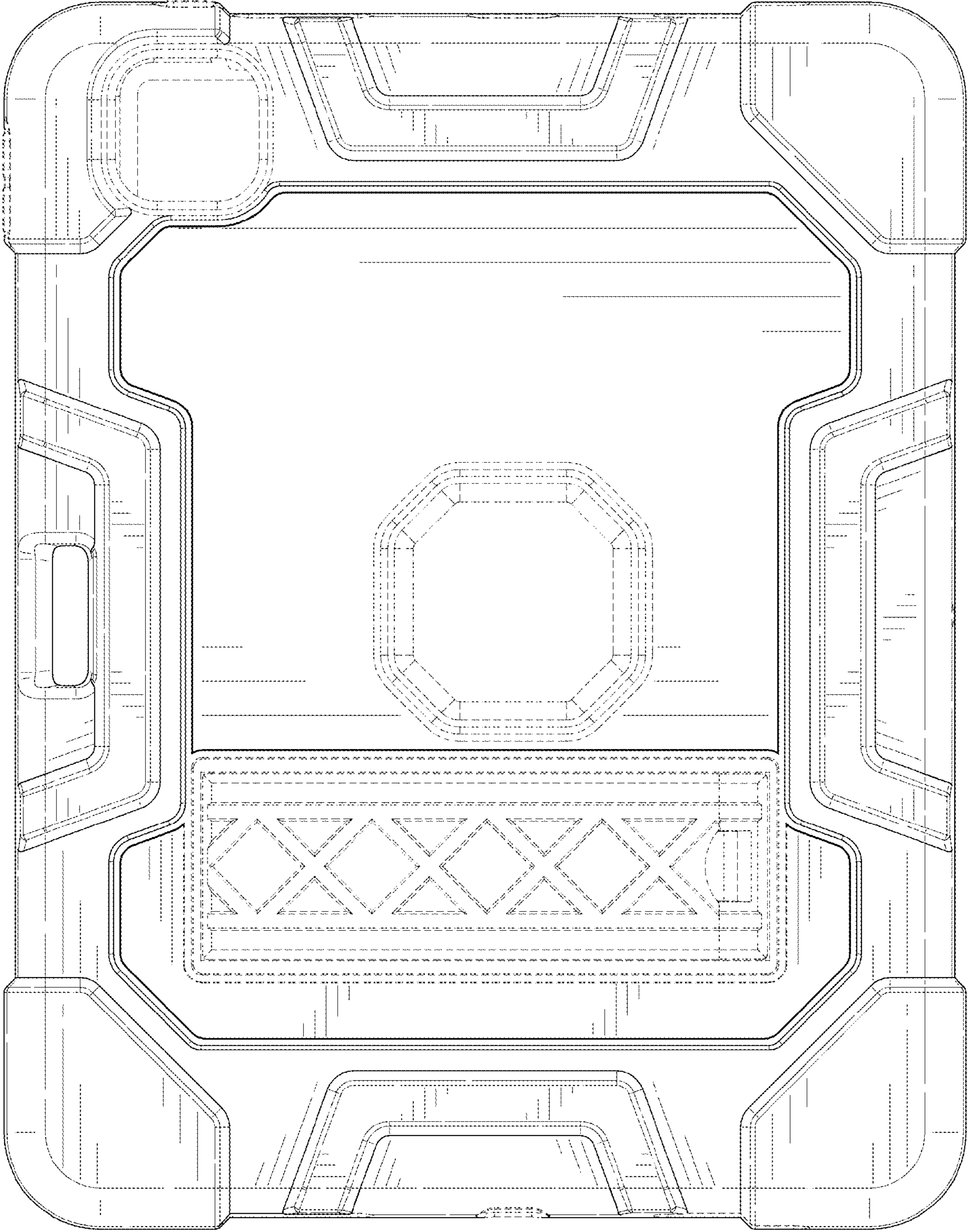


FIG. 3

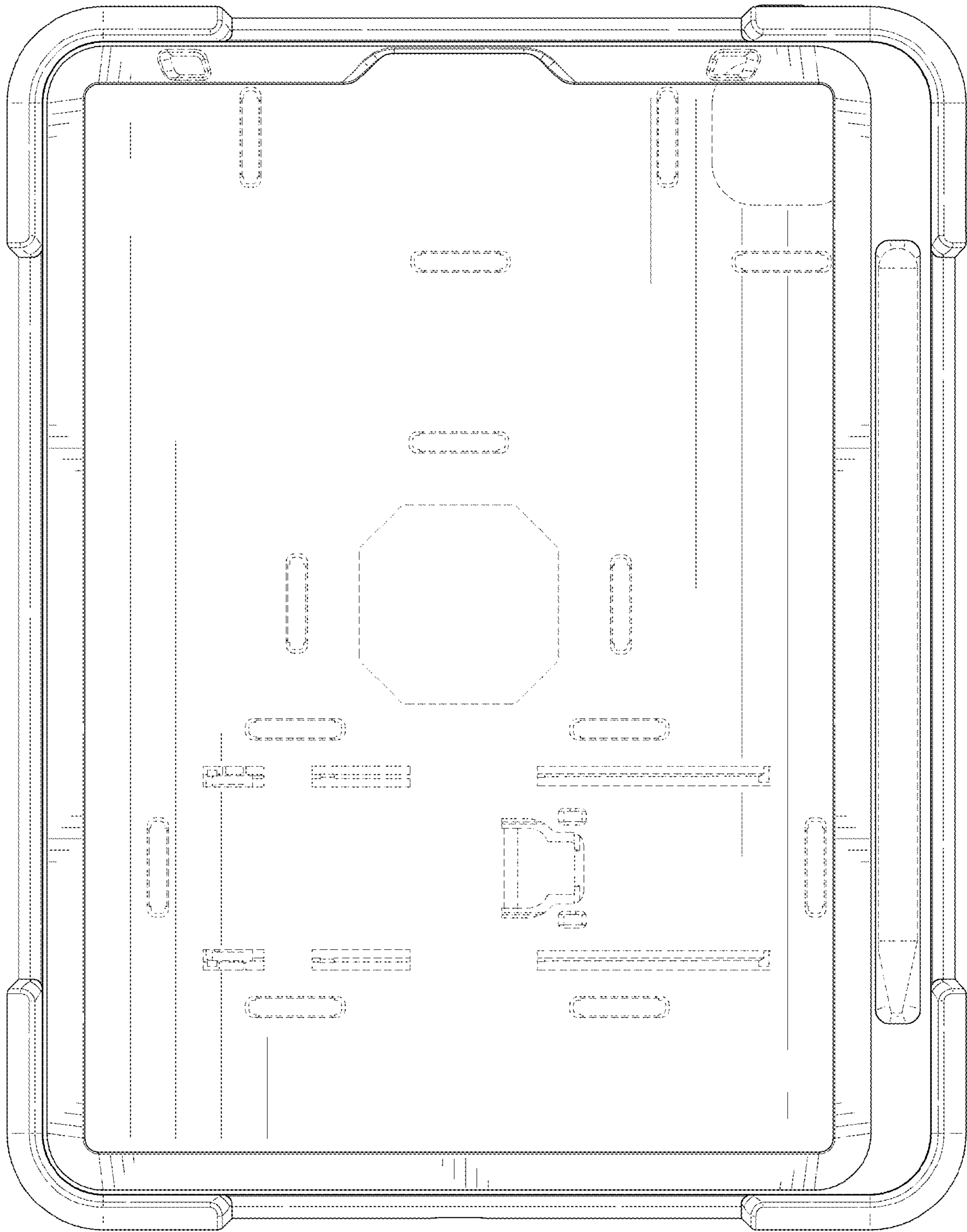


FIG. 4

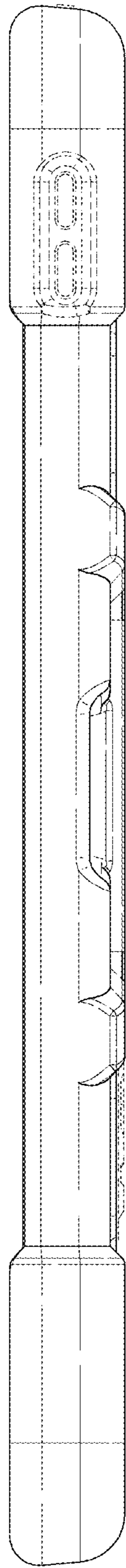


FIG. 5

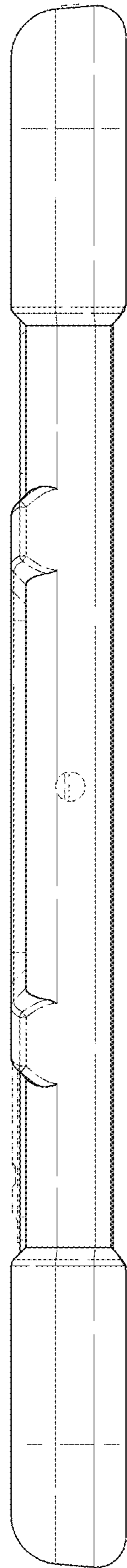


FIG. 6

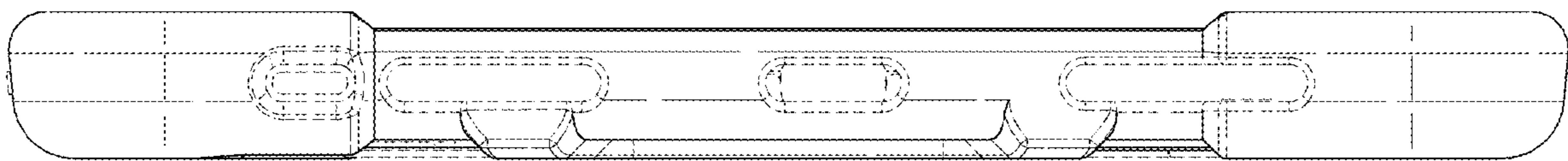


FIG. 7



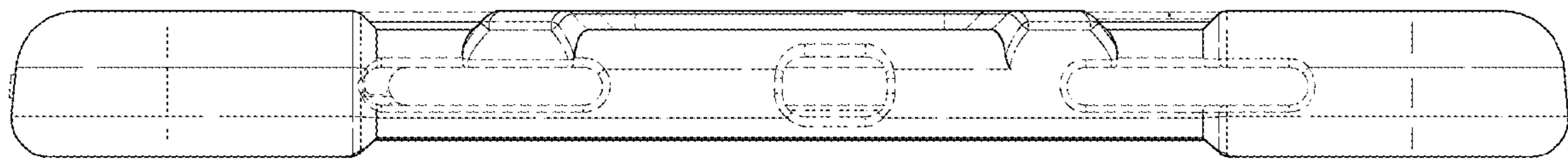


FIG. 8