

US00D937273S

(12) **United States Design Patent**
Wei

(10) **Patent No.:** **US D937,273 S**

(45) **Date of Patent:** **** Nov. 30, 2021**

(54) **PROTECTIVE CASE FOR TABLET
COMPUTER AND MOBILE PHONE**

(71) Applicant: **Qingling Wei**, Guangdong (CN)

(72) Inventor: **Qingling Wei**, Guangdong (CN)

(**) Term: **15 Years**

(21) Appl. No.: **29/697,433**

(22) Filed: **Jul. 9, 2019**

(51) **LOC (13) Cl.** **14-02**

(52) **U.S. Cl.**
USPC **D14/440**

(58) **Field of Classification Search**
USPC D14/217, 238.1, 240, 248, 250, 251–253,
D14/439, 440, 447; D13/107–108, 103,
D13/119; D3/201, 218, 247, 269, 273,
D3/301, 303, 249
CPC H04B 1/3888; H04M 1/0283;
H04M 1/0202; A45C 1/06; A45C 11/00;
A45C 13/02; A45C 2011/002; A45F
2005/026; A45F 2200/0525; A45F
2200/0516

See application file for complete search history.

(56) **References Cited**

U.S. PATENT DOCUMENTS

D689,056 S *	9/2013	Li	D14/440
D784,350 S *	4/2017	Li	D14/440
D807,366 S *	1/2018	Chen	D14/440
D829,720 S *	10/2018	Zhang	D14/440
D834,581 S *	11/2018	Li	D14/440
D835,625 S *	12/2018	Li	D14/440
D852,200 S *	6/2019	Chan	D14/440
D854,022 S *	7/2019	Chen	D14/440
D860,212 S *	9/2019	Ahn	D14/440
D862,478 S *	10/2019	Ahn	D14/440
D862,479 S *	10/2019	Ahn	D14/440

D862,480 S *	10/2019	Chan	D14/440
D863,313 S *	10/2019	Li	D14/440
D874,465 S *	2/2020	Poon	D14/440
D879,104 S *	3/2020	Li	D14/440
D879,789 S *	3/2020	Li	D14/440
D881,894 S *	4/2020	Zhang	D14/440
D884,709 S *	5/2020	Cheng	D14/440

OTHER PUBLICATIONS

“BMOUO Kids Case for Samsung Galaxy Tab A 10.1 (2019) SM-T510/T515 [. . .]” [online]. BMOUO. [Product first available on Jun. 1, 2015]. Retrieved from the Internet: <<https://www.amazon.com/dp/B07TT1GD7X>>.*

“LTROP All-New Fire HD 10 Case—Shock Proof Fire HD 10 Tablet Case for Kids (7th Generation and 9th Generation [. . .])” [online]. LTROP. [Product first available on Dec. 7, 2017]. Retrieved from the Internet: <<https://www.amazon.com/dp/B0785SSPP8>>.*

* cited by examiner

Primary Examiner — Mojtaba Tehrani

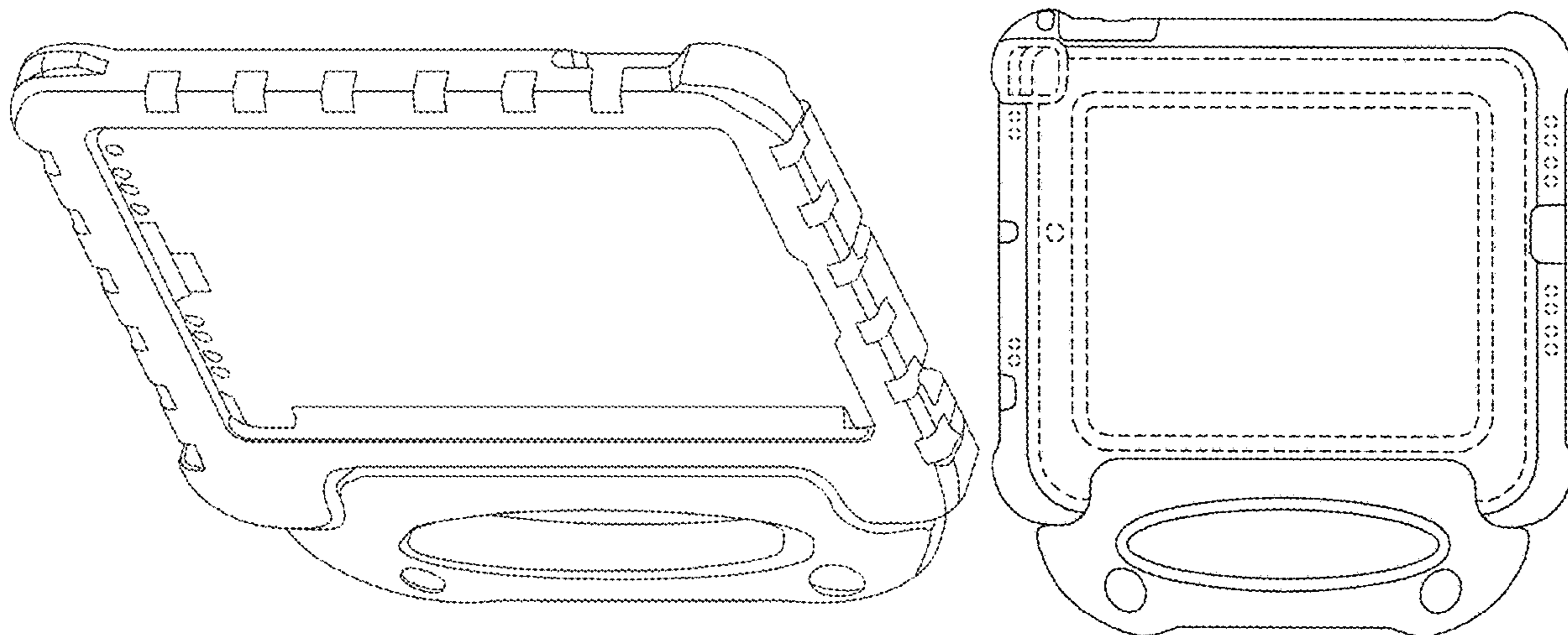
(57) **CLAIM**

The ornamental design for a protective case for tablet computer and mobile phone, as shown and described.

DESCRIPTION

FIG. 1 is a perspective view of a protective case for tablet computer and mobile phone showing my new design; FIG. 2 is a front elevation view thereof; FIG. 3 is a rear elevation view thereof; FIG. 4 is a left side elevation view thereof; FIG. 5 is a right side elevation view thereof; FIG. 6 is a top plan view thereof; and, FIG. 7 is a bottom plan view thereof. The broken lines in the drawings illustrate portions of the protective case for tablet computer and mobile phone that form no part of the claimed design.

1 Claim, 5 Drawing Sheets



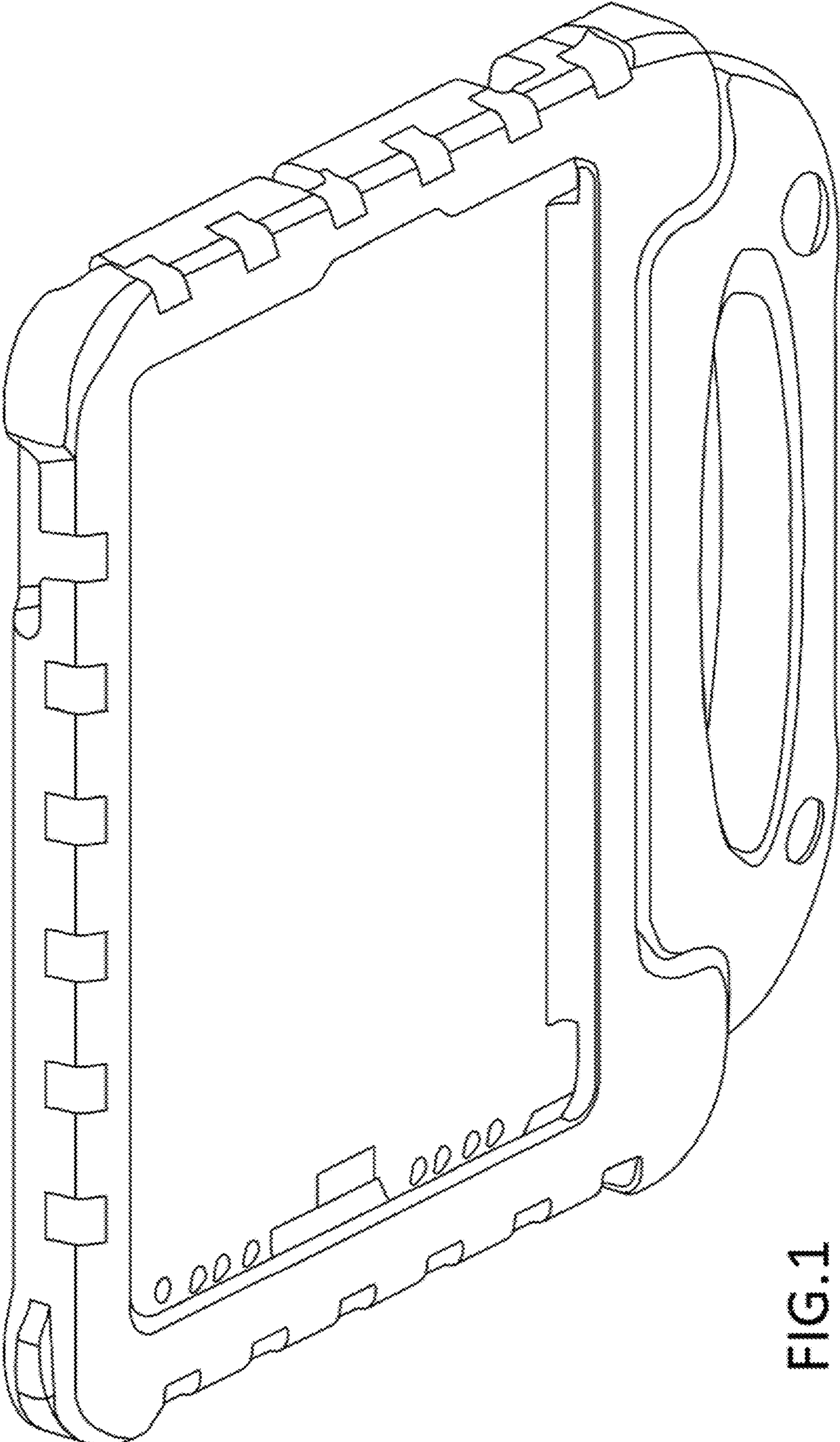


FIG.1

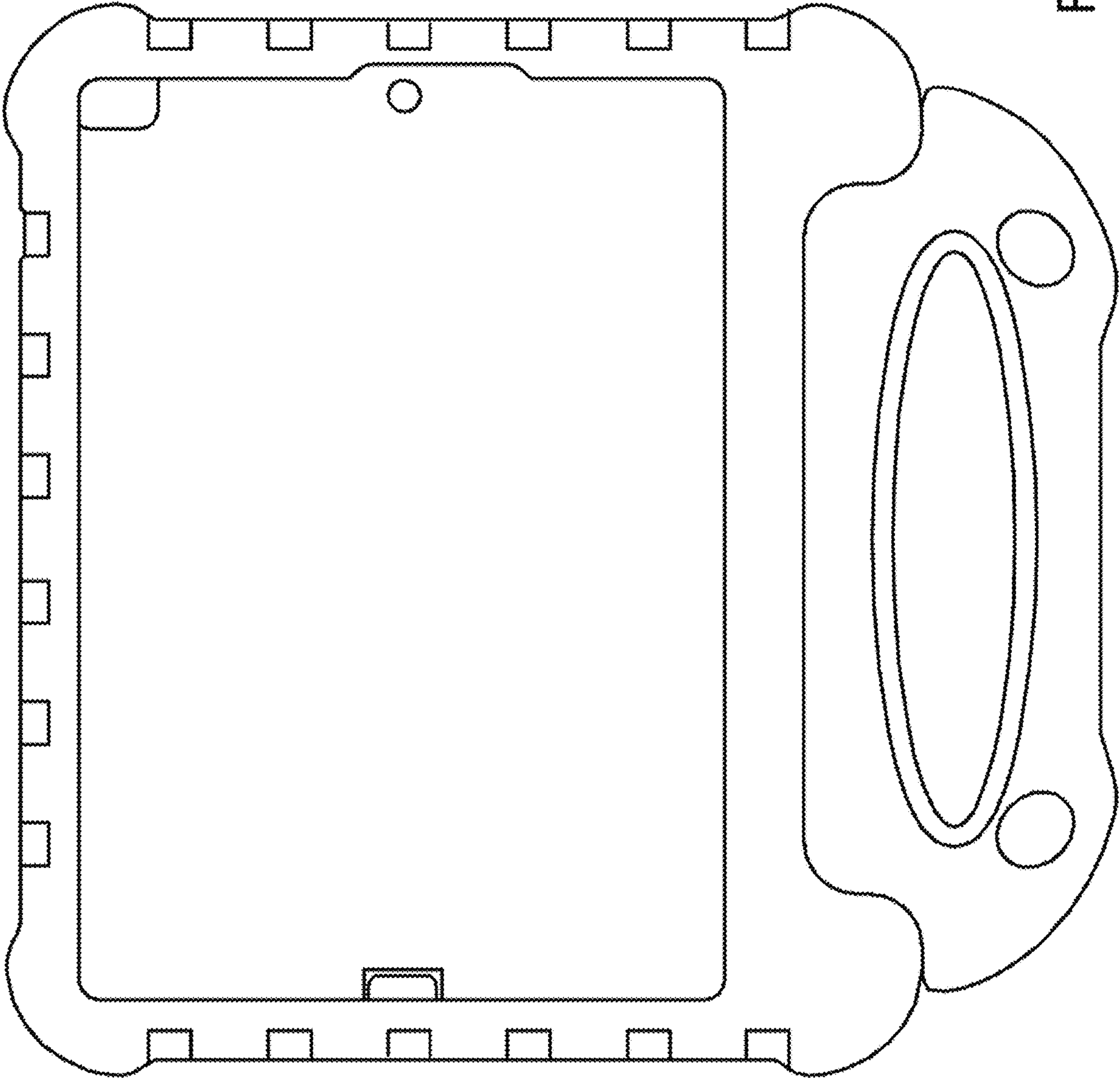


FIG.2

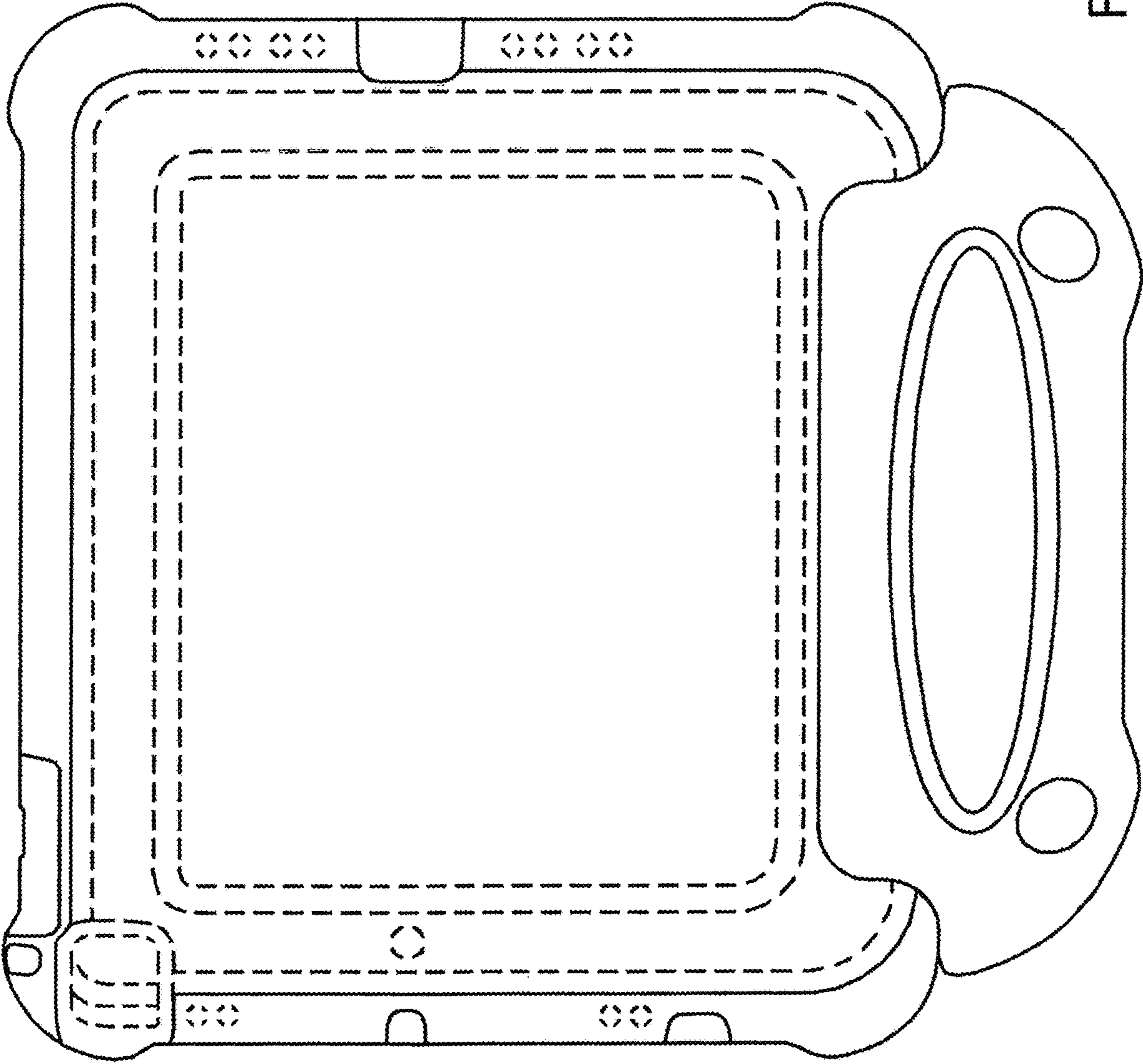


FIG. 3

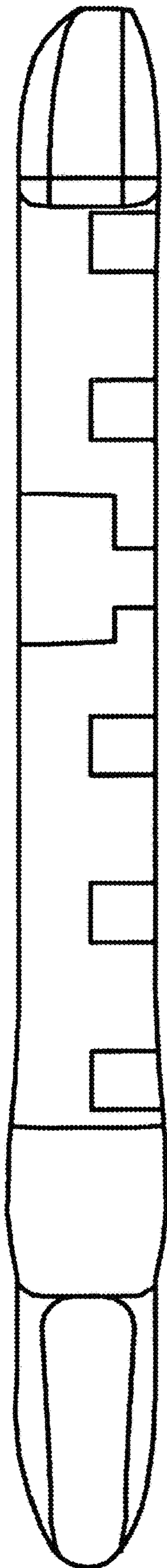


FIG. 4

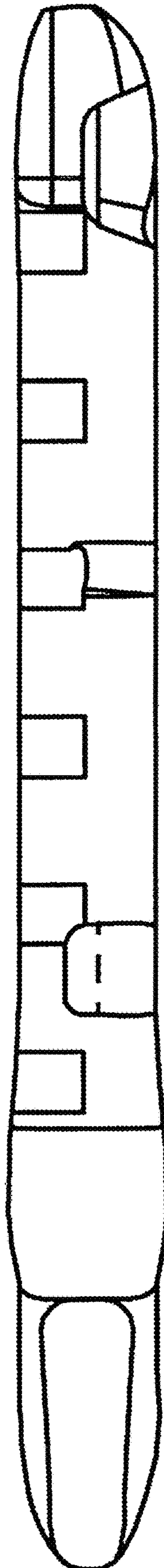


FIG. 5

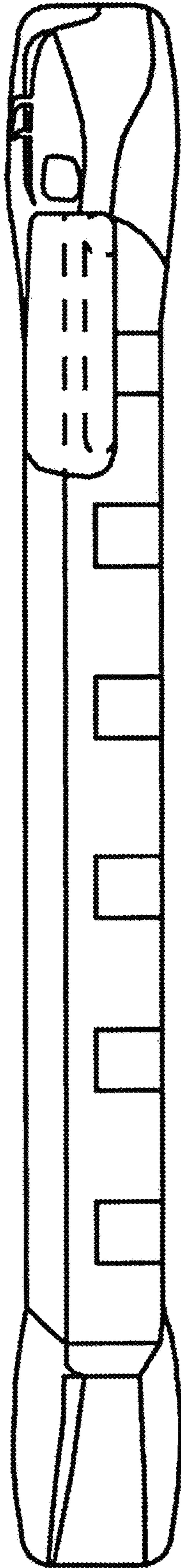


FIG. 6

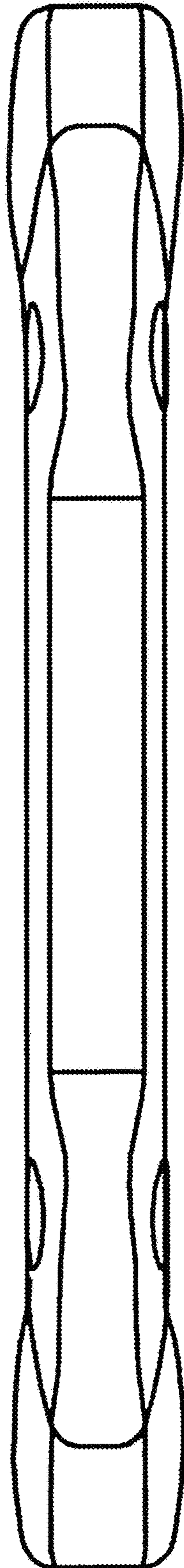


FIG. 7