



US00D937272S

(12) **United States Design Patent** (10) **Patent No.:** **US D937,272 S**  
**Fletcher et al.** (45) **Date of Patent:** **\*\* Nov. 30, 2021**

(54) **DATA CARD**

(71) Applicant: **Square, Inc.**, San Francisco, CA (US)  
(72) Inventors: **Kyle Fletcher**, Briarcliff Manor, NY (US); **Ashutosh Dhodapkar**, Fremont, CA (US)  
(73) Assignee: **Square, Inc.**, San Francisco, CA (US)  
(\*\*) Term: **15 Years**

(21) Appl. No.: **29/725,529**

(22) Filed: **Feb. 25, 2020**

(51) **LOC (13) Cl.** ..... **14-02**

(52) **U.S. Cl.**  
USPC ..... **D14/436**; D14/437

(58) **Field of Classification Search**  
USPC ..... D14/435–437, 478–480, 485–495, 474, D14/217, 385, 383, 384; D13/182; 369/275.1–275.5, 44.26, 100, 52.1, 272, 369/273, 280–288; 283/81, 83; 720/718; 435/6, 287.2; 604/891.1; 216/2, 20; D11/80; 235/375, 380–382.5, 492, 488, 235/493, 487, 379, 439, 440, 441, 451, 235/486; 361/737, 748–752; D19/9, 10; D9/457; 705/67, 51; 257/707, 686; 340/5.8–5.83, 5.52, 5.25, 5.74; 382/115, 382/116, 121, 124, 126, 313, 305; 713/185, 186; 438/125  
(Continued)

(56) **References Cited**

**U.S. PATENT DOCUMENTS**

D67,396 S \* 5/1925 Deaton et al. .... D99/37  
2,666,655 A 1/1954 Wolowitz  
(Continued)

**FOREIGN PATENT DOCUMENTS**

WO 2007/008686 A2 1/2007

**OTHER PUBLICATIONS**

Ex Parte Quale Action dated Mar. 19, 2021, for Design U.S. Appl. No. 29/586,095, of Omojola, A., et al., filed Nov. 30, 2016.  
(Continued)

*Primary Examiner* — Susan Moon Lee  
(74) *Attorney, Agent, or Firm* — Lee & Hayes, P.C.

(57) **CLAIM**

The ornamental design for a data card, as shown and described.

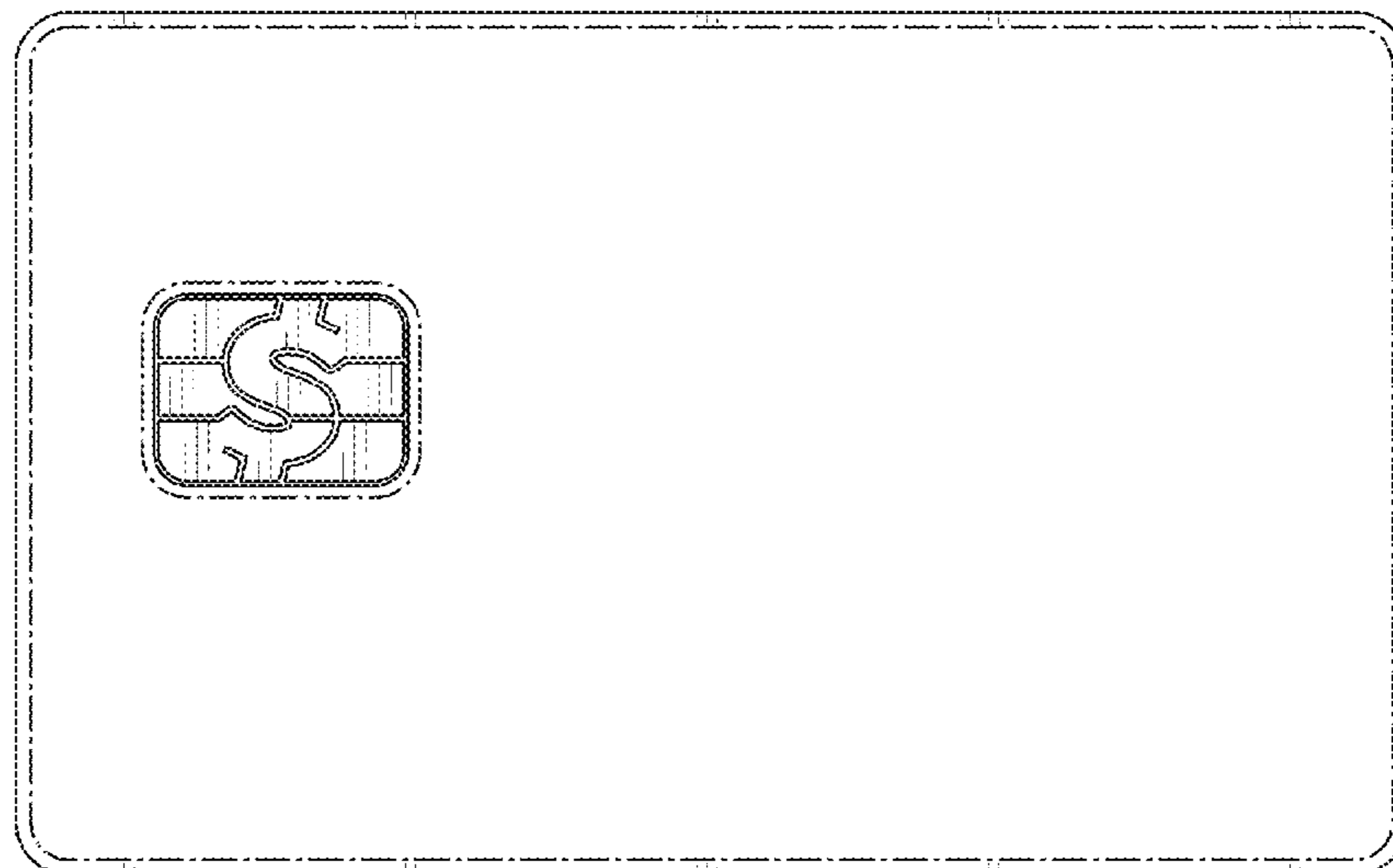
**DESCRIPTION**

FIG. 1 is a front perspective view of a first embodiment of a data card;  
FIG. 2 is a front view thereof;  
FIG. 3 is a back view thereof;  
FIG. 4 is a left-side view thereof;  
FIG. 5 is a right-side view thereof;  
FIG. 6 is a top view thereof;  
FIG. 7 is a bottom view thereof;  
FIG. 8 is a front perspective view of a second embodiment of the data card; and,  
FIG. 9 is a front view thereof.

The undisclosed surfaces of the second embodiment are not shown because they form no part of the design claim. The even dash broken lines are included for illustrative purposes only and form no part of the design claim. The dot-dash broken lines depict the boundary between the claimed portions of the design and the unclaimed portions.

The Applicant reserves the right to: 1) convert some or all of the broken lines to solid lines; and/or 2) convert selected solid lines to broken lines during the course of prosecution and/or in one or more continuation applications, since the figures convey that the inventors had possession of the solid line features and the broken line features as of the date of filing.

**1 Claim, 7 Drawing Sheets**



(58) **Field of Classification Search**

CPC .. G06K 9/00973-00986; G06K 19/063-0701;  
 G06K 19/0708-0712; G06K  
 19/0715-07771; G06K 19/083-18; G06K  
 21/00-06; G06K 2207/00-1018; G06K  
 19/07743; G06K 19/07747; G06K  
 19/0716; G06K 19/0718; G06K 19/072;  
 G06K 19/0721; G06K 19/0772; G06K  
 19/07722; G06K 19/07733; G06K  
 19/07354; G06K 19/067; G06K 19/07;  
 G06K 19/07739; G06K 19/06187; G06K  
 19/06196; G06K 9/00006; G06K  
 9/00071; G06F 3/08; G06F 3/12; G06F  
 7/40; G06F 17/5068; G06F 21/00; G06F  
 21/30; G06F 21/31; G06F 21/32; G06F  
 21/34; G06F 21/45; G06F 21/77-21/80;  
 Y10T 29/49018; Y10T  
 29/49124-29/4913; Y10T 29/49117;  
 H01L 23/13; H01L 23/31; H01L 23/3128;  
 H01L 23/48; H01L 23/49541; H01L  
 23/498; H01L 23/49811; H01L 23/49816;  
 H01L 23/49833; H01L 23/49838; H01L  
 23/49844; H01L 23/4985; H01L  
 23/49855; H01L 23/49888; H01L 23/50;  
 H01L 23/522; H01L 23/528; H01L  
 23/5283; H01L 23/538; H01L 23/5386;  
 H01L 23/5388; H01L 23/5389; H01L  
 25/00; H01L 25/0655; H01L 27/0203;  
 H01L 27/0207; H01L 27/12; H01L  
 27/1218; H01L 27/1222; H01L 27/127;  
 H01L 24/00-17; H01L 24/94-98; H01L  
 2224/01; H01L 2224/0501; H01L  
 2224/05013-05017; H01L  
 2224/0555-05557; H01L  
 2224/0612-06189; H01L 2224/07-09181;  
 G06Q 20/34; G06Q 20/341; G06Q  
 20/346; G06Q 20/354; G06Q 20/355;  
 G06Q 20/3558; G06Q 20/3563; G06Q  
 20/3567; G06Q 20/357; G06Q 20/3674;  
 G06Q 20/40145; G07F 7/0806; G07F  
 7/0813; G07F 7/082; G07F 7/0826; G07F  
 7/0833; G07F 7/084; G07F 7/0846; G07F  
 7/0853; G07F 7/086; G07F 7/0866; G07C  
 9/00071; G07C 9/00087; G07C 9/00111;  
 G07C 9/00119; G07C 2009/00095

See application file for complete search history.

(56) **References Cited**

U.S. PATENT DOCUMENTS

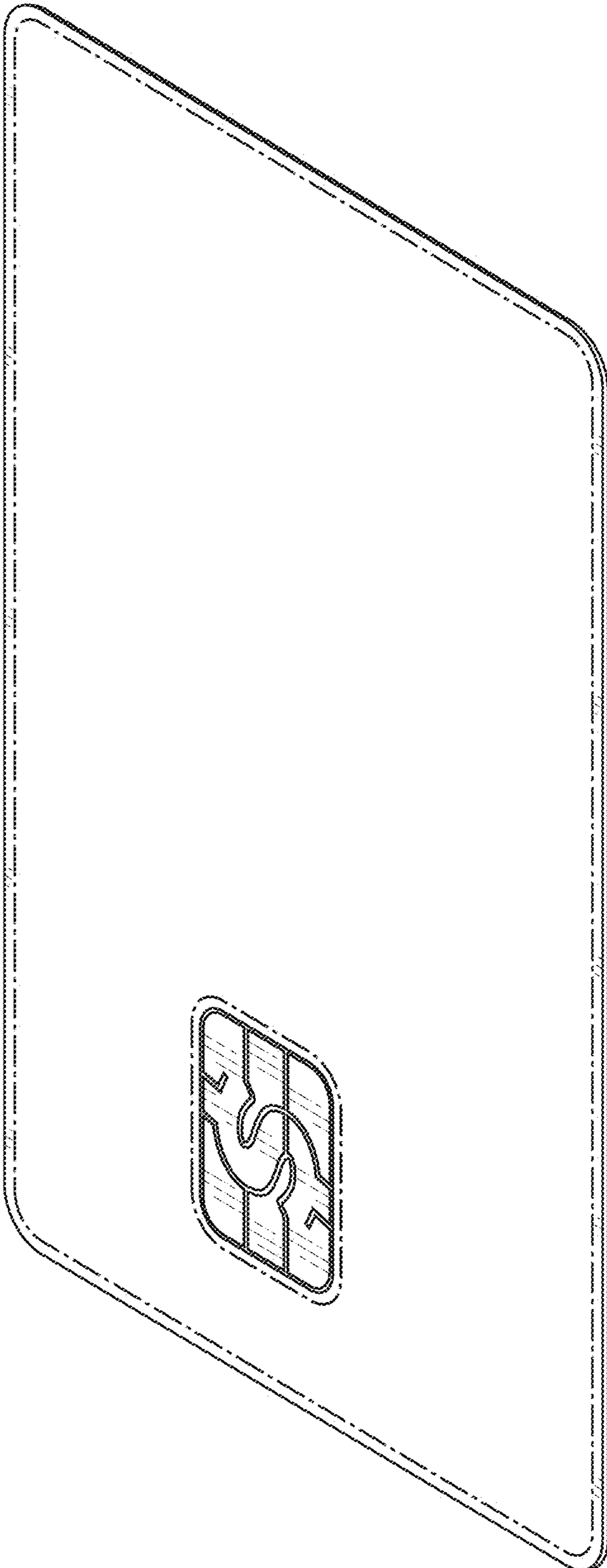
3,217,643 A 11/1965 Crissy et al.  
 3,601,913 A 8/1971 Pollock et al.  
 D257,806 S \* 1/1981 Maune ..... D19/34.3  
 D302,027 S \* 7/1989 Sopko ..... D21/377  
 5,221,838 A 6/1993 Gutman et al.

D358,419 S 5/1995 Runyan  
 D365,092 S \* 12/1995 Mundigl ..... D14/437  
 D387,802 S 12/1997 Finkelstein et al.  
 D406,861 S 3/1999 Leedy, Jr.  
 D416,246 S \* 11/1999 Hileman ..... D14/437  
 D427,577 S \* 7/2000 Haas ..... D14/437  
 D431,677 S \* 10/2000 Regensburg ..... D11/157  
 D438,563 S 3/2001 Webb et al.  
 D439,493 S \* 3/2001 Chen ..... D8/103  
 D462,610 S \* 9/2002 Davis ..... D9/667  
 D462,714 S 9/2002 Creighton  
 D486,515 S 2/2004 True  
 D498,788 S 11/2004 Lubking  
 D572,422 S \* 7/2008 Renn ..... D11/81  
 D617,652 S \* 6/2010 Katz ..... D9/667  
 D620,975 S 8/2010 Skelding et al.  
 D622,315 S 8/2010 Skelding et al.  
 D628,236 S 11/2010 Skelding et al.  
 D635,186 S 3/2011 Skelding et al.  
 D643,062 S 8/2011 Skelding et al.  
 D665,851 S 8/2012 Davis  
 D695,863 S \* 12/2013 Pickerill ..... D21/787  
 D724,486 S \* 3/2015 Sheffield ..... D11/221  
 D767,024 S 9/2016 O'Shea et al.  
 D768,770 S 10/2016 Lee et al.  
 D797,138 S \* 9/2017 Reiter ..... D14/487  
 D813,302 S 3/2018 Getachew et al.  
 D842,333 S \* 3/2019 Connor ..... D14/489  
 D877,242 S \* 3/2020 Arneja ..... D19/9  
 D886,844 S \* 6/2020 Connor ..... D14/485  
 D905,105 S \* 12/2020 Connor ..... D14/490  
 D916,553 S \* 4/2021 Veldkamp ..... D7/389  
 10,977,540 B2 \* 4/2021 Lowe ..... G06K 19/0772  
 11,030,513 B2 \* 6/2021 Pachler ..... G06K 19/02  
 2014/0070009 A1 \* 3/2014 Zambrano ..... B42D 25/305  
 235/488  
 2014/0138443 A1 \* 5/2014 Blum ..... G06K 19/07728  
 235/487  
 2015/0129665 A1 \* 5/2015 Finn ..... B23K 26/40  
 235/492  
 2015/0235122 A1 \* 8/2015 Finn ..... H05K 1/0233  
 235/439

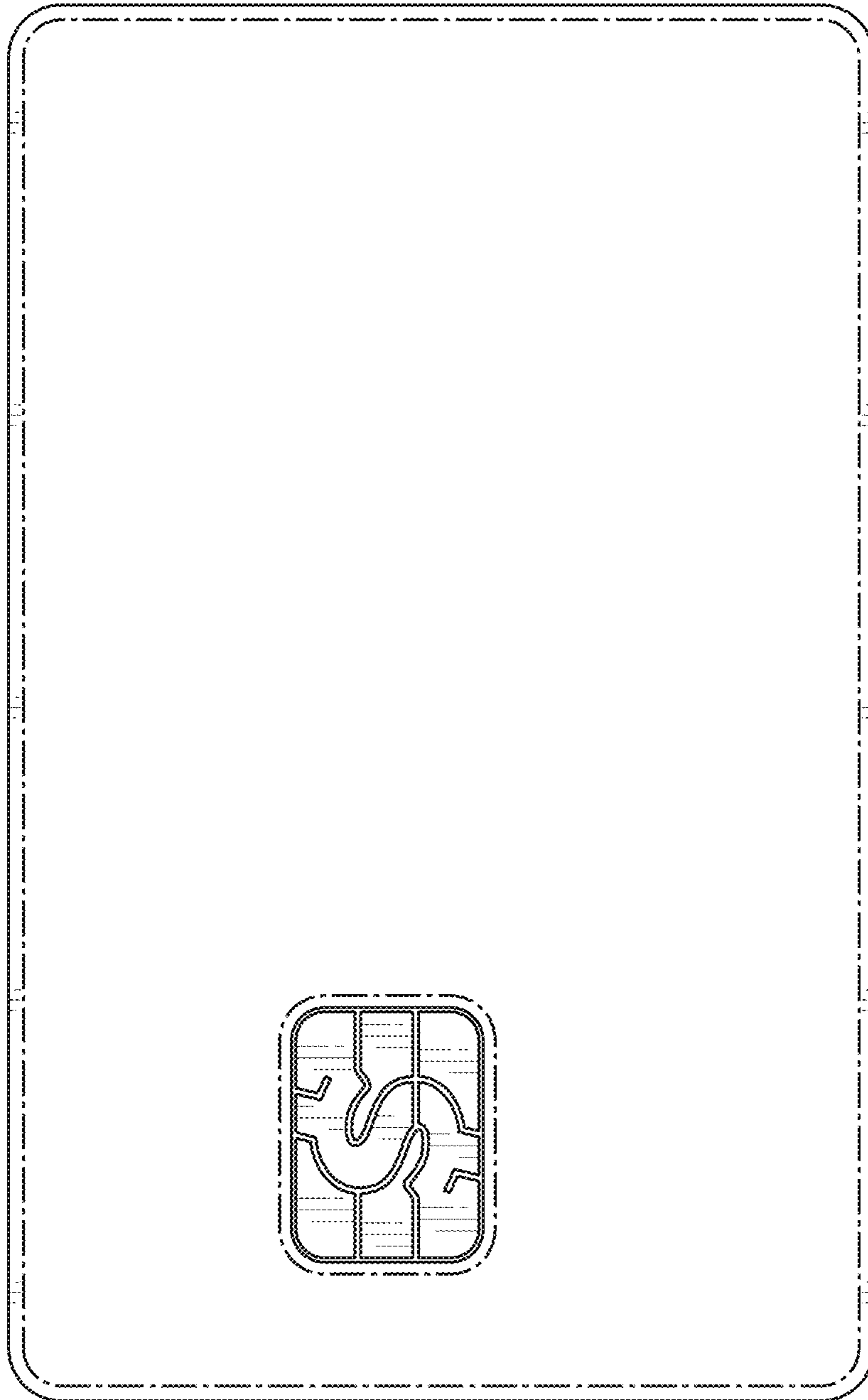
OTHER PUBLICATIONS

Ex Parte Quale Action dated Sep. 19, 2018, for Design U.S. Appl. No. 29/586,095, of Omojola, A., et al., filed Nov. 30, 2016.  
 Non-Final Office Action dated Nov. 13, 2018, for U.S. Appl. No. 29/586,087, of Omojola, A., et al., filed Nov. 30, 2016.  
 Non-Final Office Action dated Mar. 7, 2019, for Design U.S. Appl. No. 29/586,095, of Omojola, A., et al., filed Nov. 30, 2016.  
 Final Office Action dated Aug. 22, 2019, for Design U.S. Appl. No. 29/586,087, of Omojola, A., et al., filed Nov. 30, 2016.  
 Final Office Action dated Aug. 22, 2019, for Design U.S. Appl. No. 29/586,095, of Omojola, A., et al., filed Nov. 30, 2016.  
 Advisory Action dated Jan. 23, 2020 for U.S. Appl. No. 29/586,087, filed Nov. 30, 2016.  
 Advisory Action dated Jan. 23, 2020 for U.S. Appl. No. 29/586,095, filed Nov. 30, 2016.  
 Non Final Office Action dated Aug. 19, 2020, for U.S. Appl. No. 29/586,095, of Omojola, A et al., filed Nov. 30, 2016.

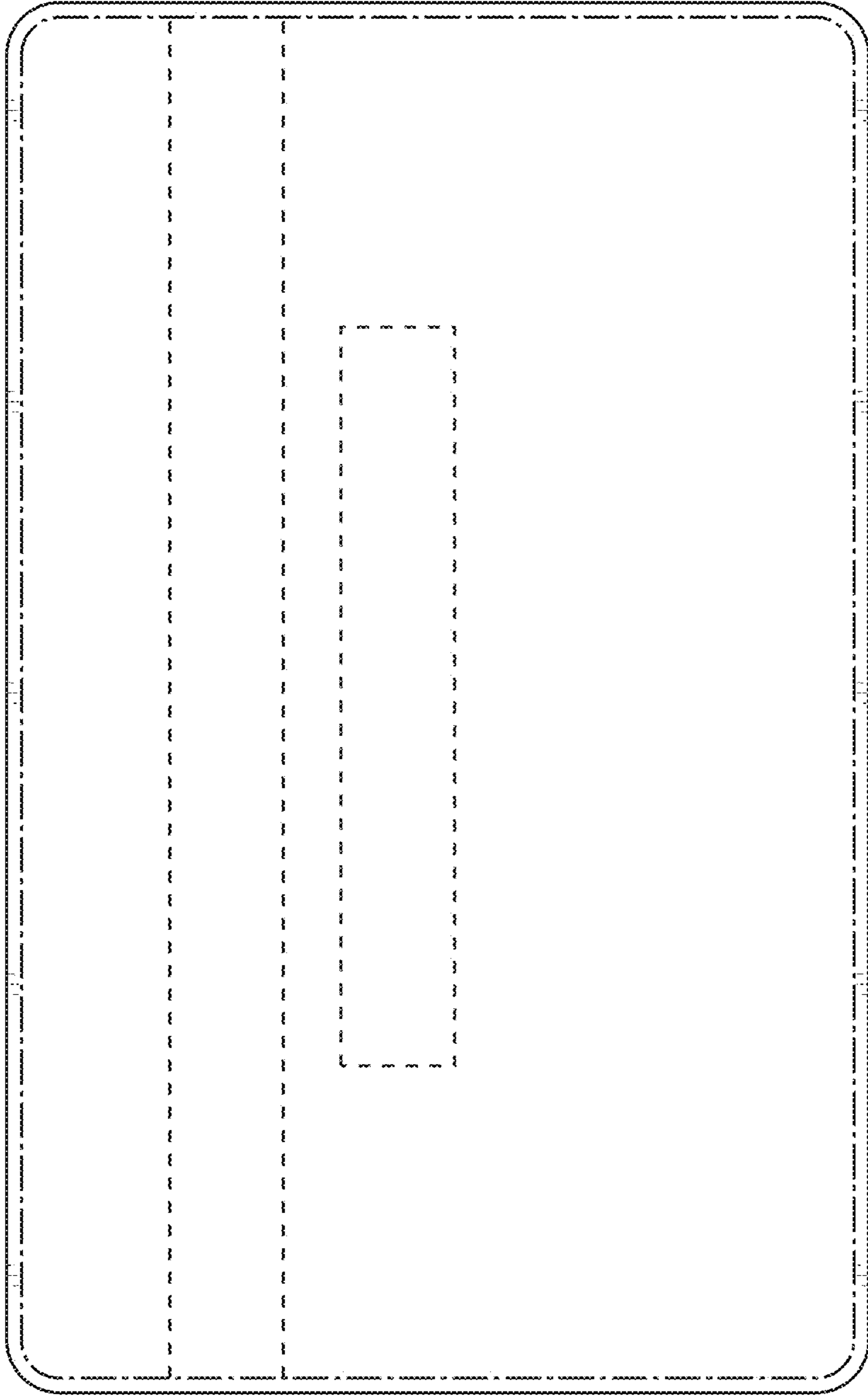
\* cited by examiner



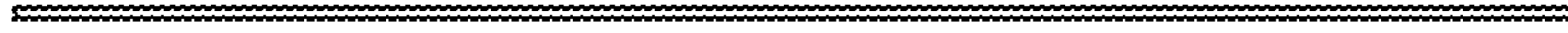
**FIG. 1**



**FIG. 2**



**FIG. 3**



**FIG. 5**



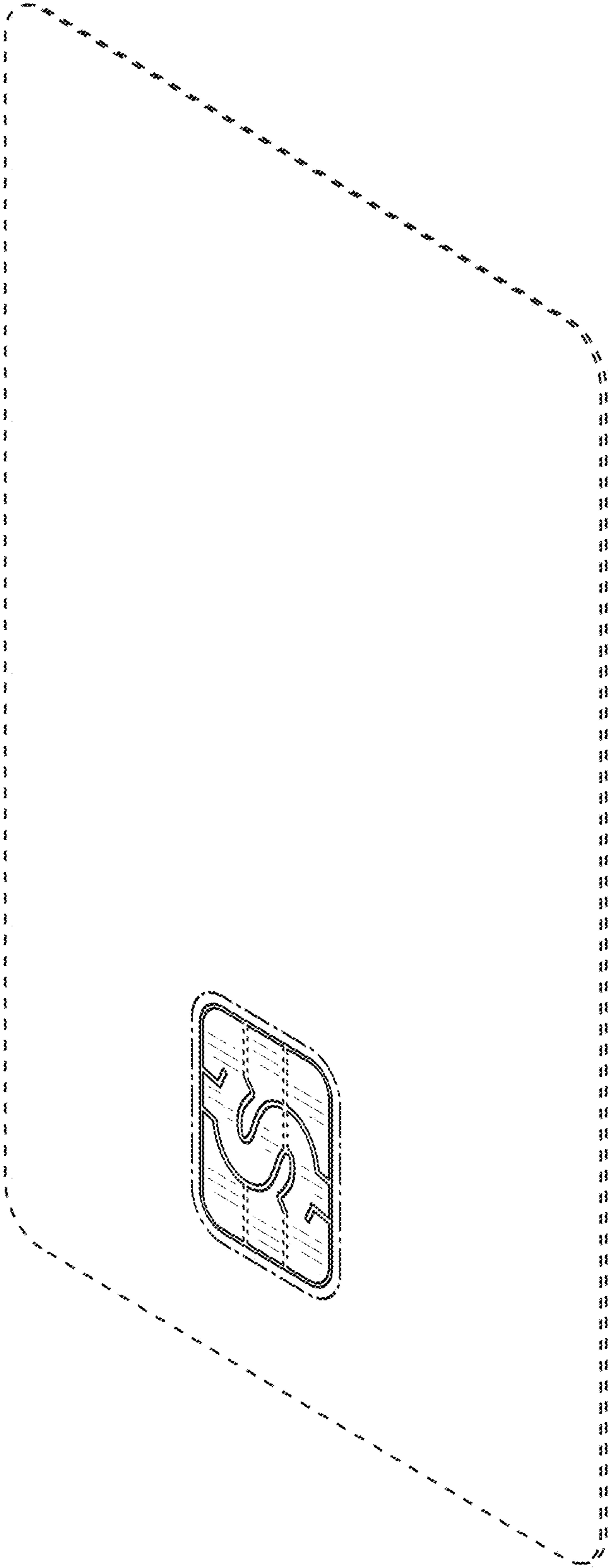
**FIG. 4**



**FIG. 6**

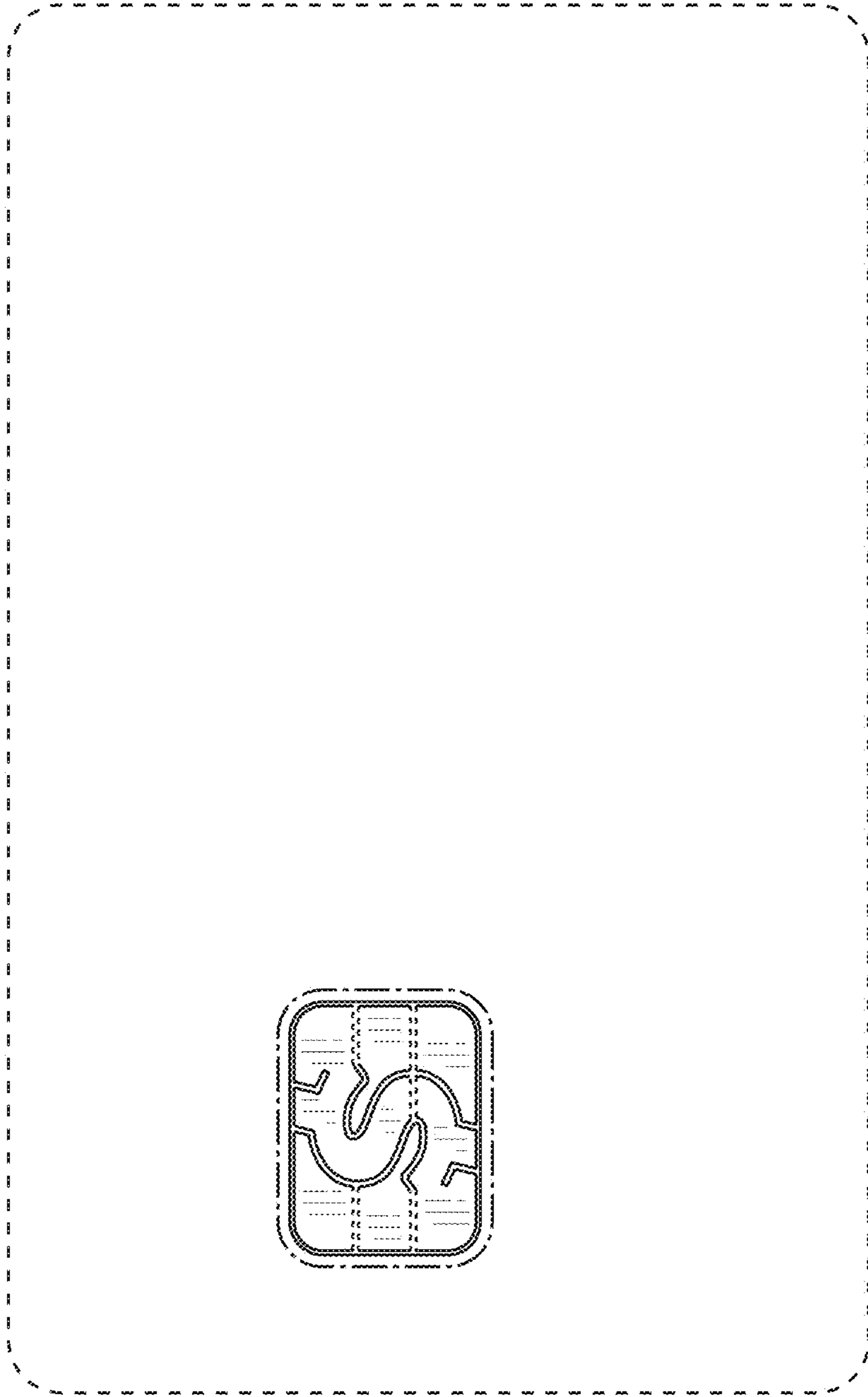


**FIG. 7**



**FIG. 8**





**FIG. 9**