



US00D937271S

(12) **United States Design Patent** (10) **Patent No.:** **US D937,271 S**  
**Lin** (45) **Date of Patent:** **\*\* Nov. 30, 2021**

(54) **USB HUB**

(71) Applicant: **Shenzhen Ketai Electronic Co., Limited, Shenzhen (CN)**

(72) Inventor: **Zhongcheng Lin, Guangdong (CN)**

(\*\*) Term: **15 Years**

(21) Appl. No.: **29/737,241**

(22) Filed: **Jun. 8, 2020**

(51) **LOC (13) Cl.** ..... **14-02**

(52) **U.S. Cl.**  
USPC ..... **D14/433**

(58) **Field of Classification Search**  
USPC ..... D14/240, 242, 356, 358, 363, 365, 367, D14/370, 432-437, 439, 498, 125, 366, D14/168, 496; D13/147, 164, 123, 133, D13/146, 110, 199, 103, 162, 159, 160, D13/184; 361/683, 684, 686, 724, 735, 361/737, 752; D18/40  
CPC .... H01R 25/006; H01R 27/02; H01R 31/005; G06F 13/4022; G06F 13/382; G06F 1/1632; G06F 1/1684; G06F 1/20; G06F 1/1607  
See application file for complete search history.

(56) **References Cited**

**U.S. PATENT DOCUMENTS**

D903,682 S \* 12/2020 Zhang ..... D14/433  
D903,683 S \* 12/2020 Zhang ..... D14/433

D904,411 S \* 12/2020 Zhang ..... D14/433  
D908,126 S \* 1/2021 Chen ..... D14/433  
D909,385 S \* 2/2021 Kong ..... D14/433  
D909,386 S \* 2/2021 Turksu ..... D14/433  
D911,346 S \* 2/2021 Turksu ..... D14/433  
D912,056 S \* 3/2021 Liao ..... D14/433  
D916,094 S \* 4/2021 Liao ..... D14/433  
D918,917 S \* 5/2021 Wu ..... D14/433  
D918,918 S \* 5/2021 Wu ..... D14/433  
D923,626 S \* 6/2021 Zhang ..... D14/433

\* cited by examiner

*Primary Examiner* — Austin Murphy

(74) *Attorney, Agent, or Firm* — Prakash Nama; Global IP Services, PLLC

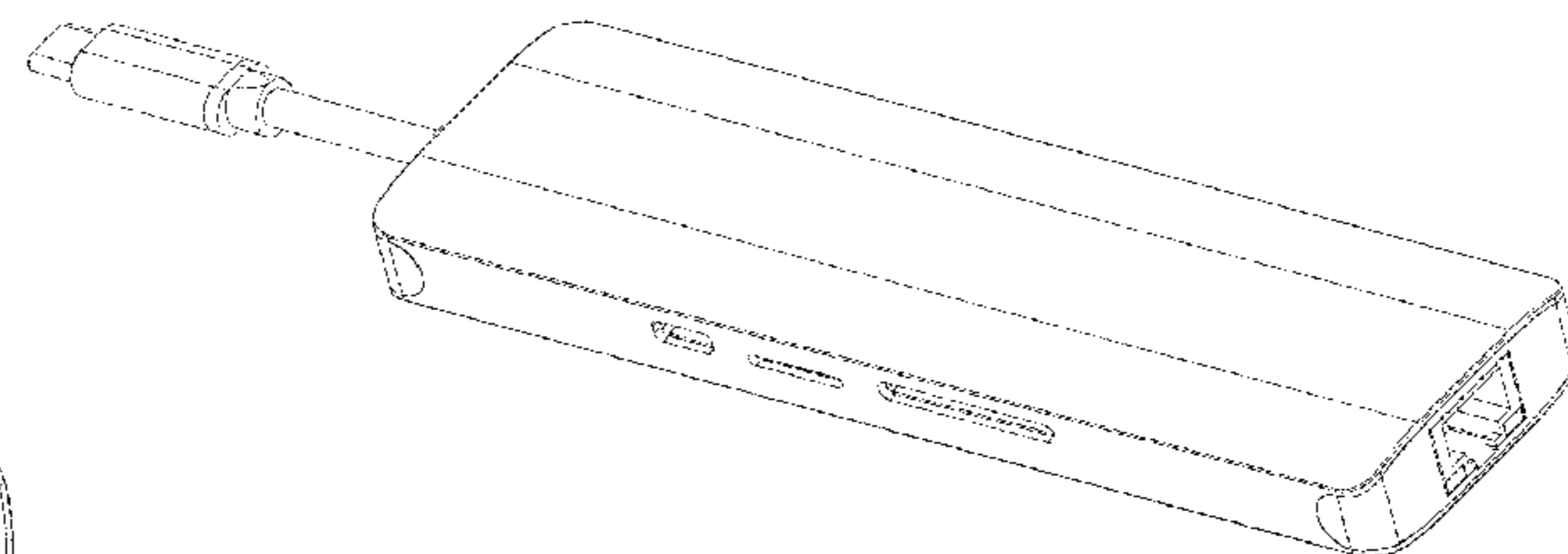
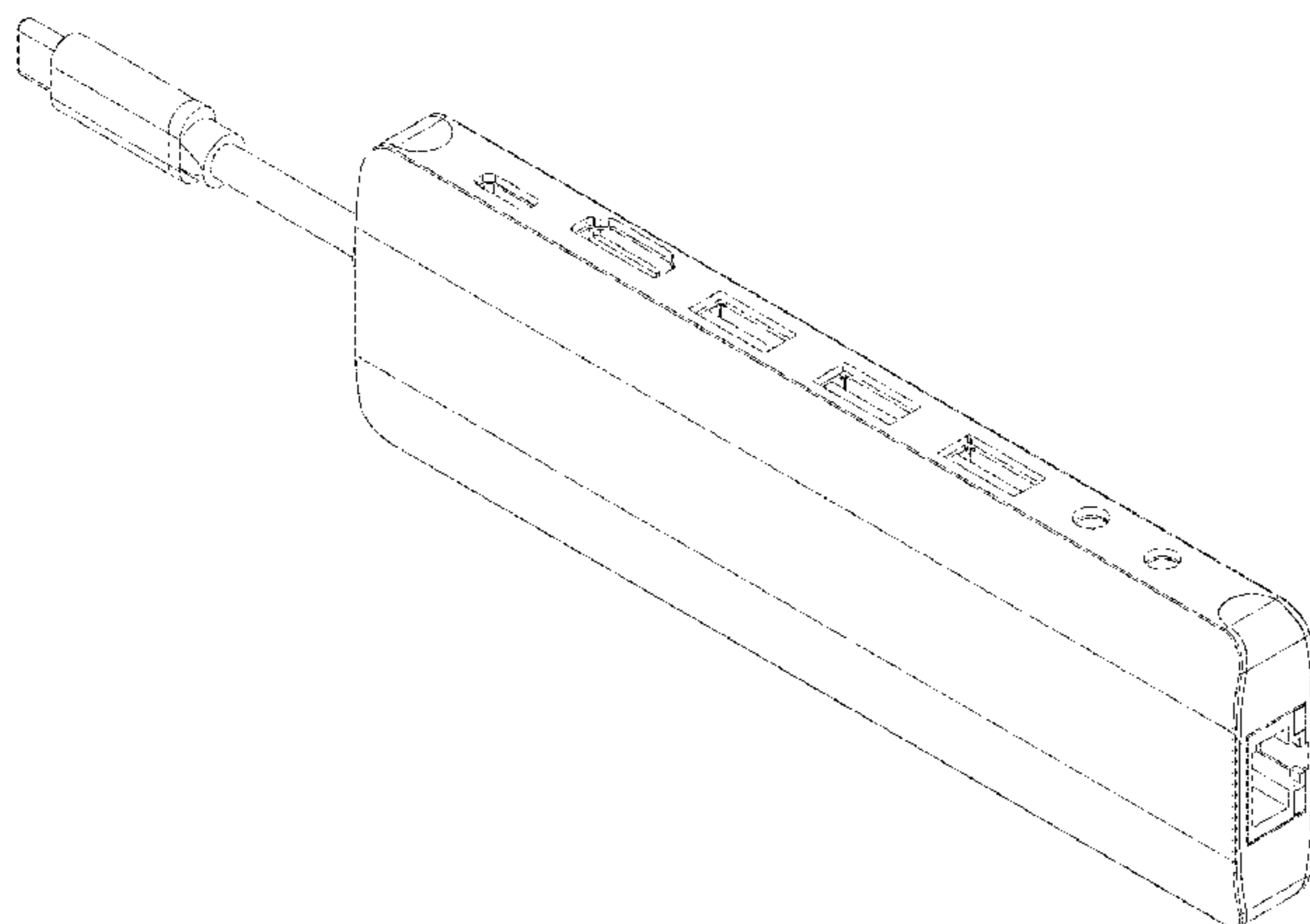
(57) **CLAIM**

The ornamental design for a USB hub, as shown and described.

**DESCRIPTION**

FIG. 1 is a front elevational view of a USB hub showing my new design;  
FIG. 2 is a rear elevational view thereof;  
FIG. 3 is a left side view thereof;  
FIG. 4 is a right side view thereof;  
FIG. 5 is a top plan view thereof;  
FIG. 6 is a bottom plan view thereof;  
FIG. 7 is a perspective view thereof;  
FIG. 8 is a second perspective view thereof; and,  
FIG. 9 is a third perspective view thereof.  
The broken lines shown in USB hub form no part of the claimed design.

**1 Claim, 7 Drawing Sheets**



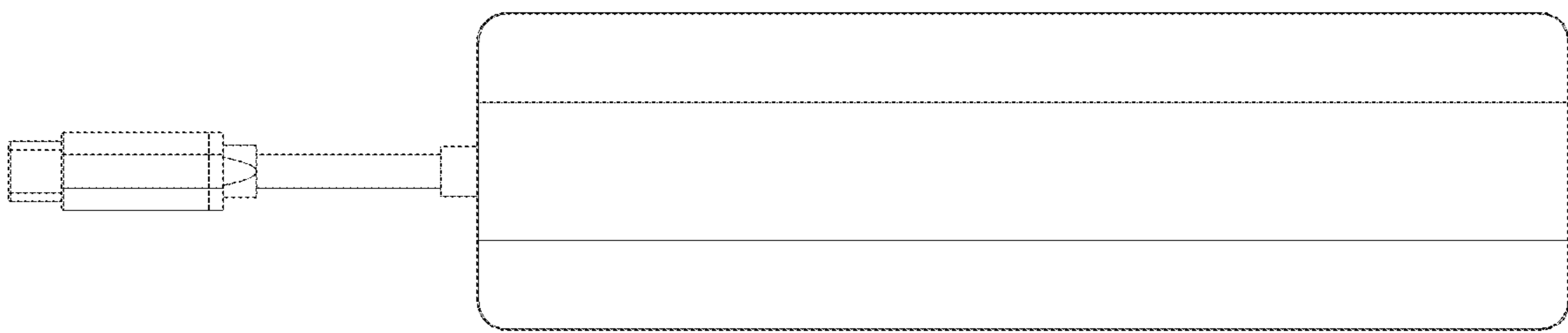


FIG. 1

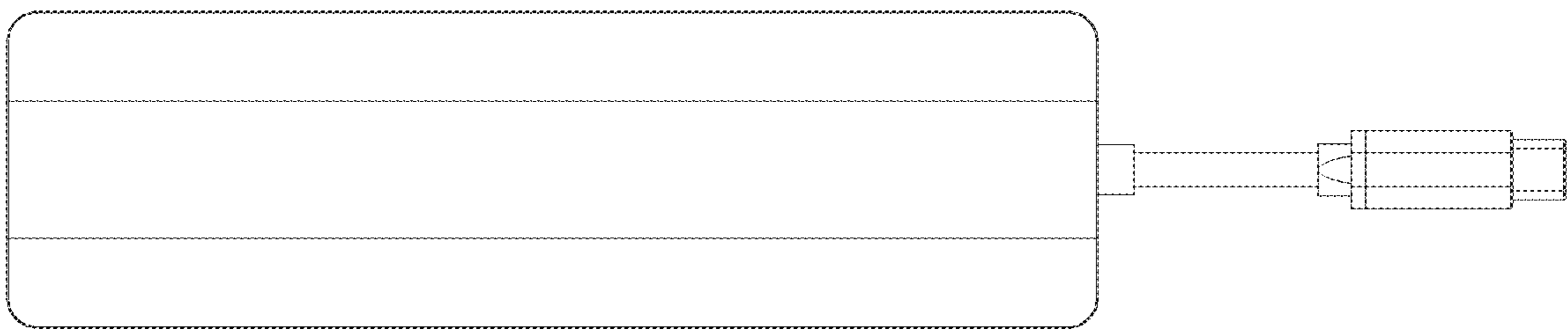


FIG. 2

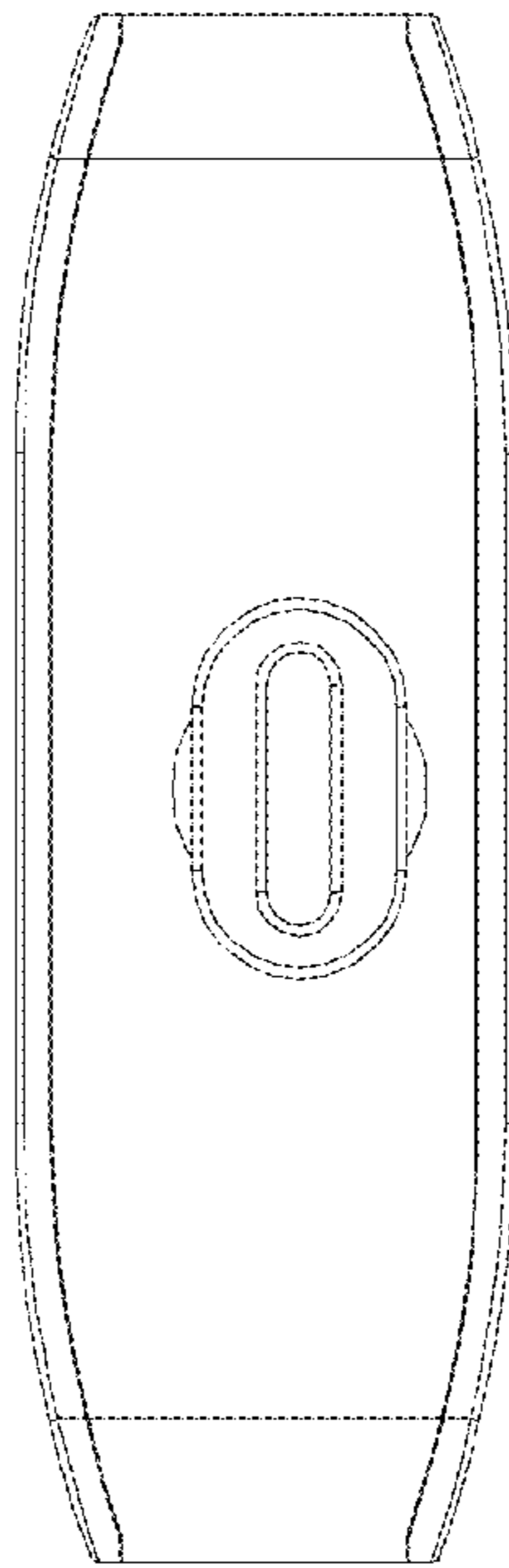


FIG. 3

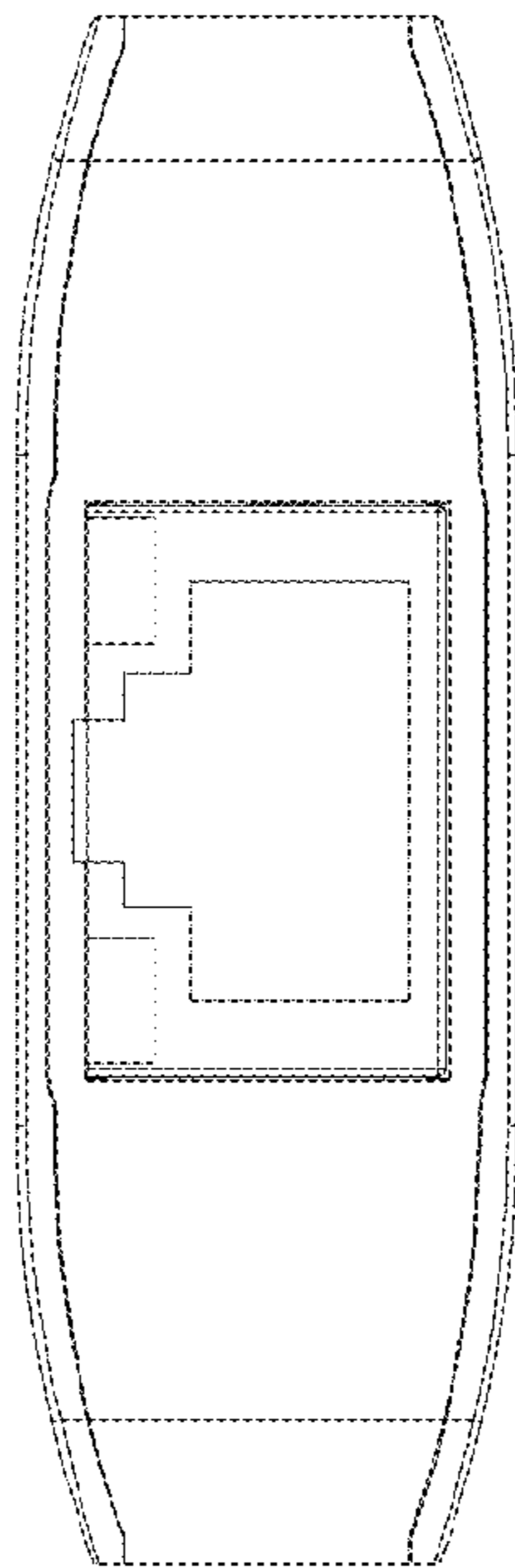


FIG. 4

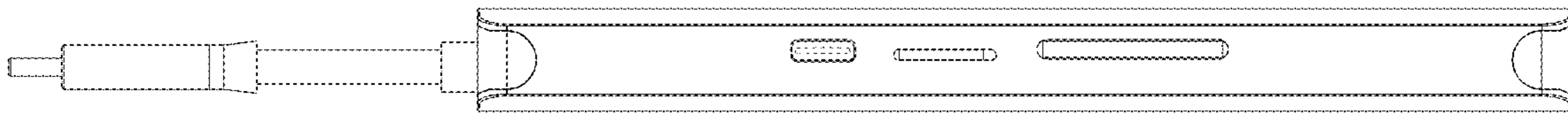


FIG. 5

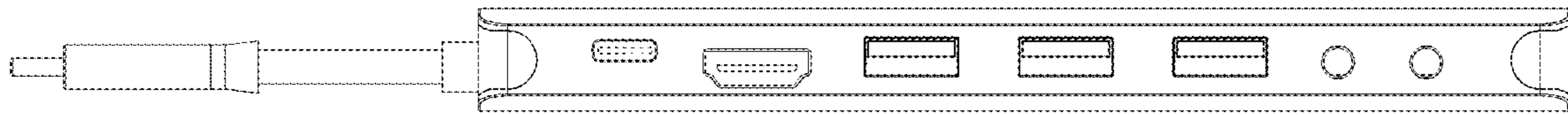


FIG. 6

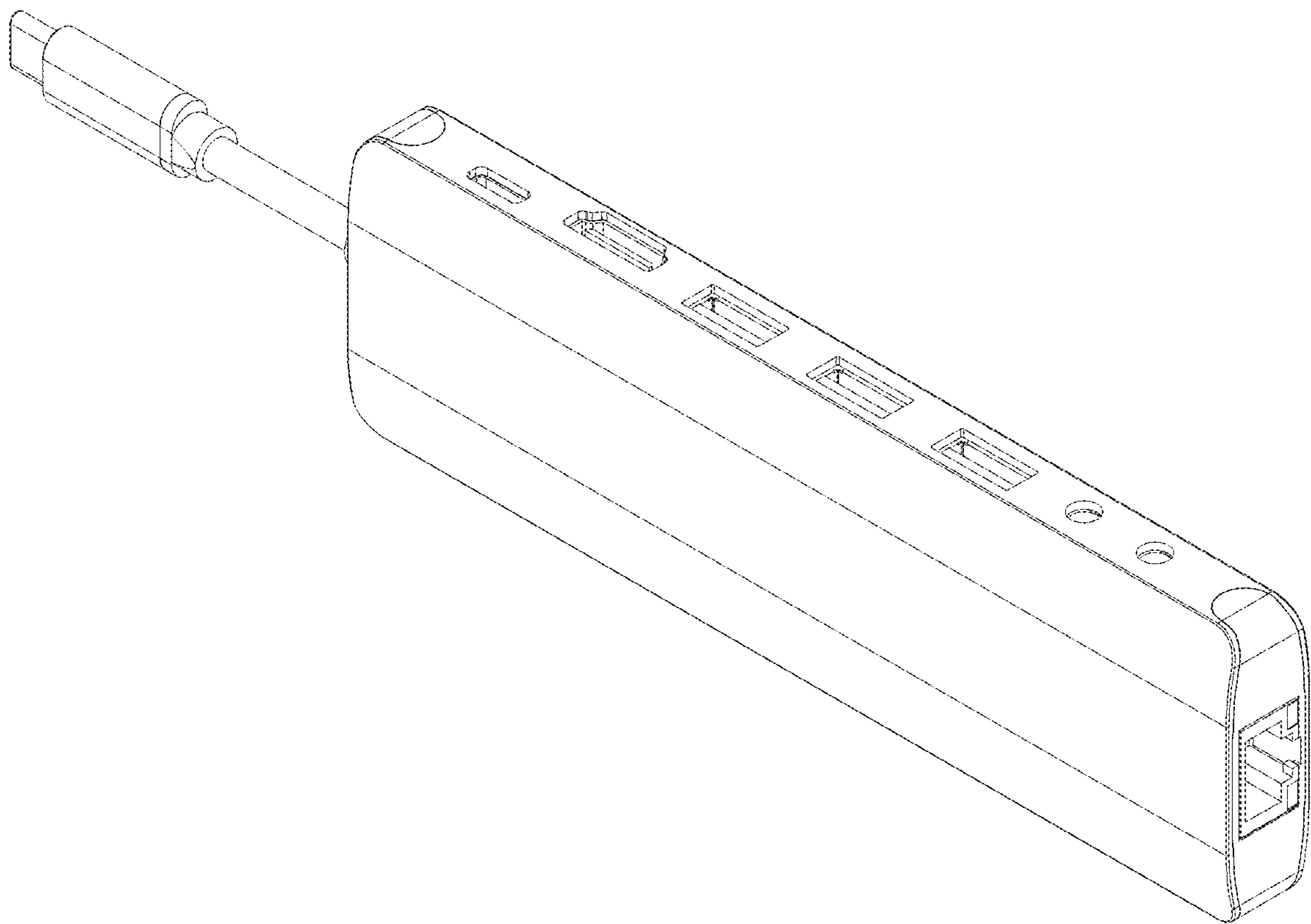


FIG. 7

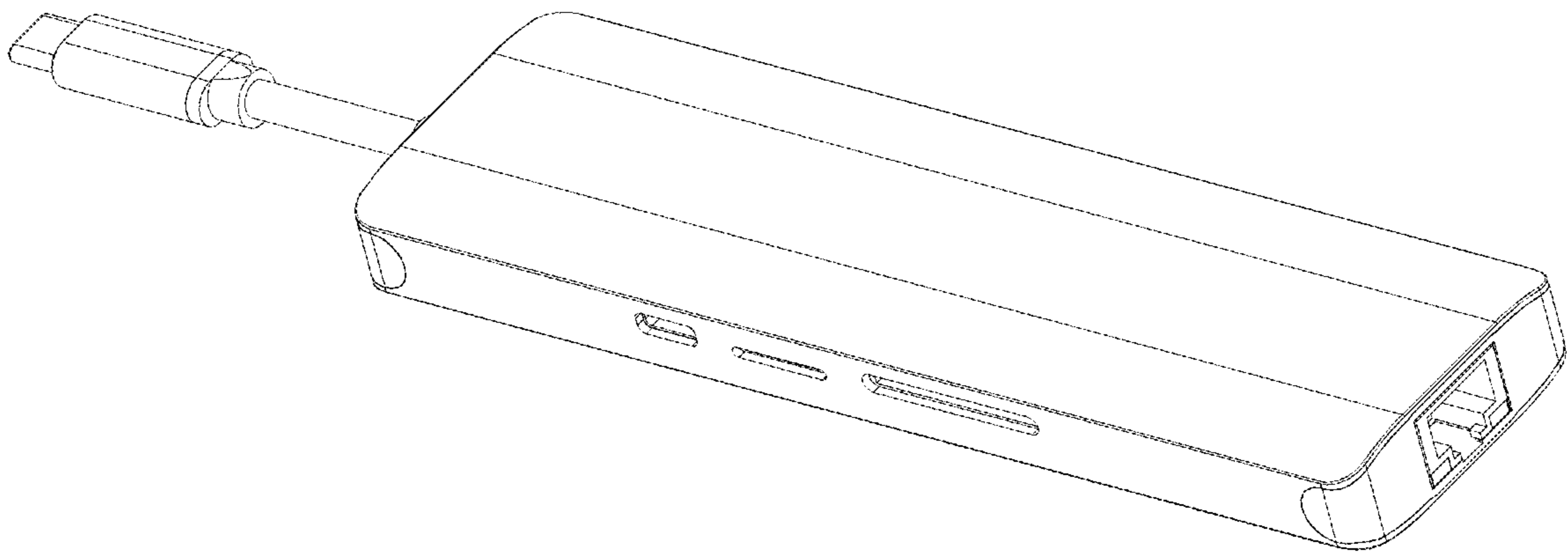


FIG. 8

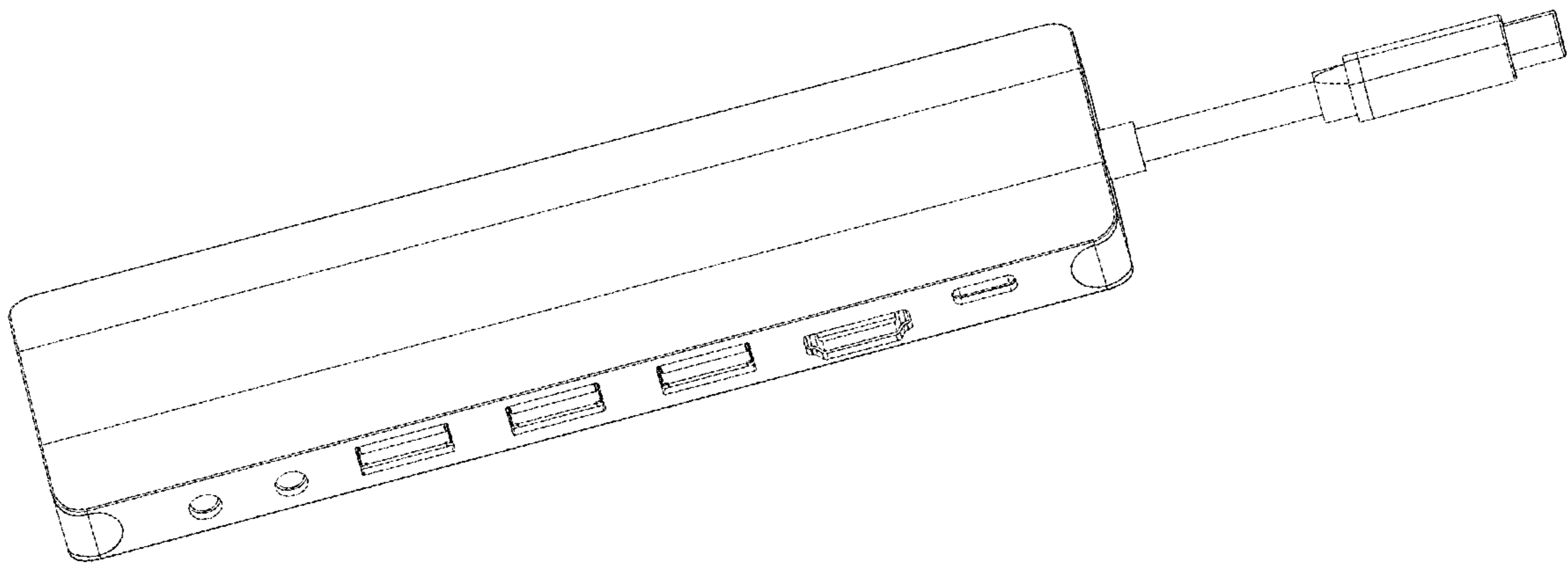


FIG. 9