



US00D937270S

(12) **United States Design Patent** (10) **Patent No.:** **US D937,270 S**
Lin (45) **Date of Patent:** **** Nov. 30, 2021**

(54) **USB HUB**
(71) Applicant: **Zhongcheng Lin**, Guangdong (CN)
(72) Inventor: **Zhongcheng Lin**, Guangdong (CN)
(**) Term: **15 Years**

D888,061 S * 6/2020 Jiang D14/434
D908,126 S * 1/2021 Chen D14/433
D912,674 S * 3/2021 Wu D14/433
D925,539 S * 7/2021 Wu D14/433
D927,490 S * 8/2021 Liu D14/434

(21) Appl. No.: **29/732,036**
(22) Filed: **Apr. 21, 2020**
(51) **LOC (13) Cl.** **14-99**
(52) **U.S. Cl.**
USPC **D14/433**
(58) **Field of Classification Search**
USPC ... D14/432, 433, 434, 435, 435.1, 436, 439,
D14/480.1-480.7, 484.1, 203.1-203.8,
D14/240, 242; D13/107, 108
CPC G06F 13/122; G06F 13/382; G06F 13/385;
G06F 13/4022; G06F 13/4282; G06F
1/1632; G06F 1/1684; H01R 25/006;
H05K 5/0278; G06K 19/07732
See application file for complete search history.

FOREIGN PATENT DOCUMENTS

CN 305751122 * 5/2020
CN 305989505 * 8/2020

* cited by examiner

Primary Examiner — Angela J Lee
Assistant Examiner — Rebekah A Caruso
(74) *Attorney, Agent, or Firm* — Prakash Nama; Global IP Services, PLLC

(57) **CLAIM**

The ornamental design for a USB hub, as shown and described.

DESCRIPTION

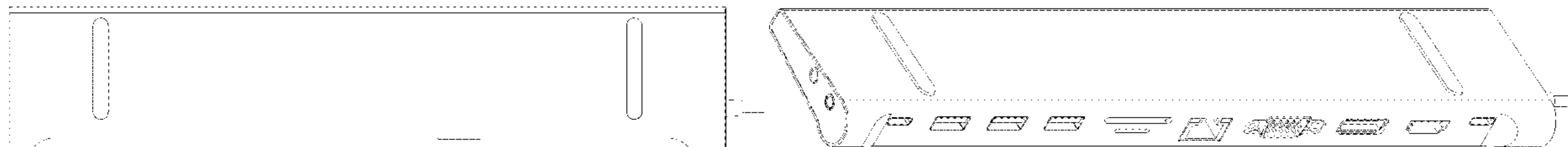
FIG. 1 is a front elevational view of a USB hub showing my new design;
FIG. 2 is a rear elevational view thereof;
FIG. 3 is a left side view thereof;
FIG. 4 is a right side view thereof;
FIG. 5 is a top plan view thereof;
FIG. 6 is a bottom plan view thereof;
FIG. 7 is a perspective view thereof;
FIG. 8 is a second perspective view thereof; and,
FIG. 9 is a third perspective view thereof.
The broken lines depict portions of the USB hub that form no part of the claimed design.

(56) **References Cited**

U.S. PATENT DOCUMENTS

D689,858 S * 9/2013 Lo D14/357
D788,112 S * 5/2017 Liao D14/433
D844,008 S * 3/2019 Yamazaki D14/434
D856,278 S * 8/2019 Turksu D13/108
D862,385 S * 10/2019 Turksu D13/108
D880,483 S * 4/2020 Fan D14/433
D883,288 S * 5/2020 Zhan D14/433
D883,293 S * 5/2020 Zhang D14/433
D886,826 S * 6/2020 Zhan D14/433
D887,414 S * 6/2020 Jiang D14/434

1 Claim, 9 Drawing Sheets



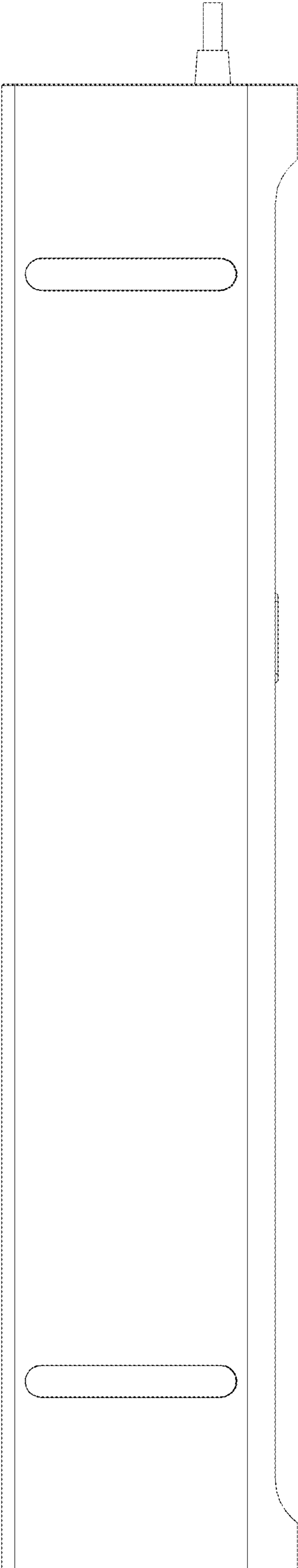


FIG. 1

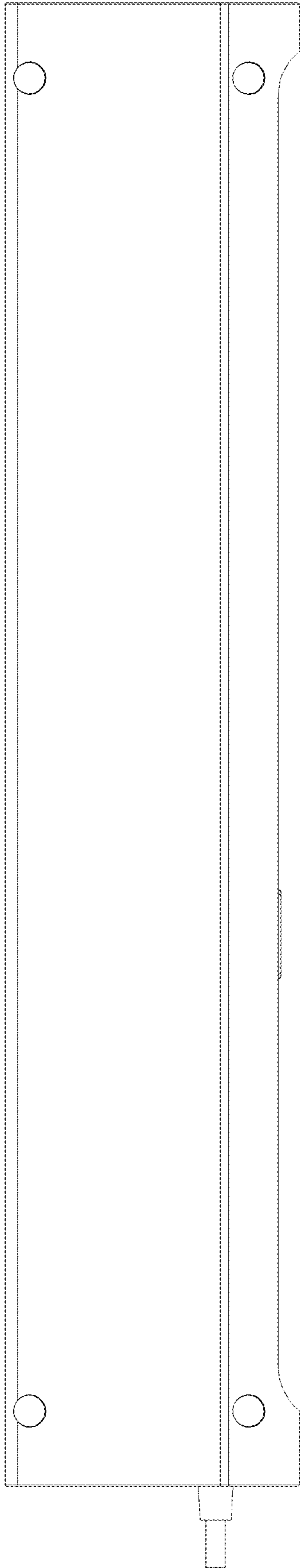
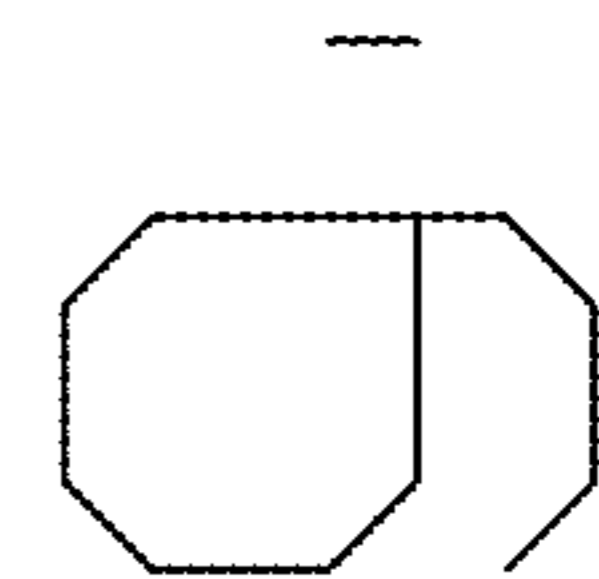
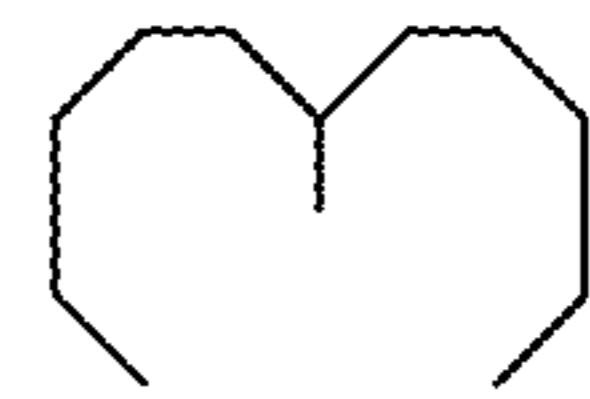
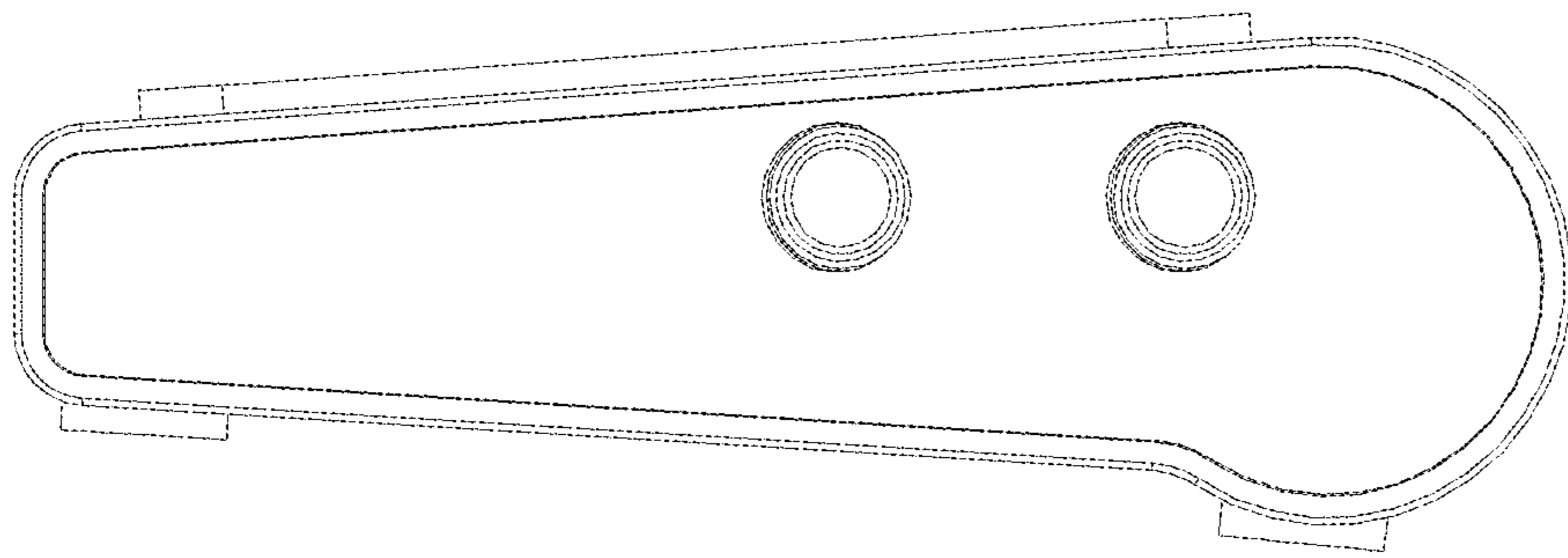
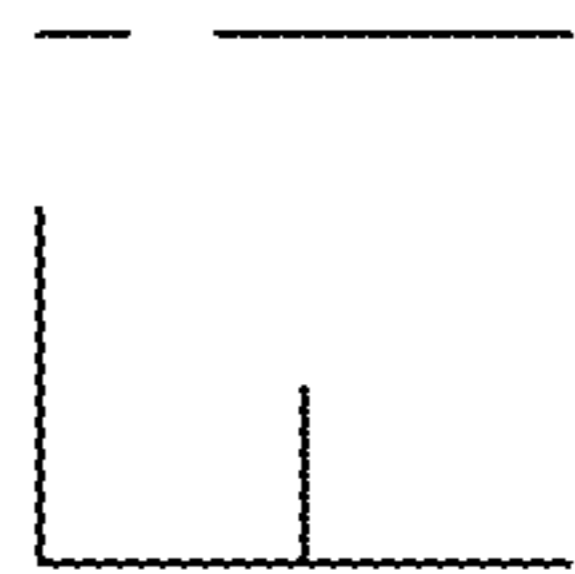
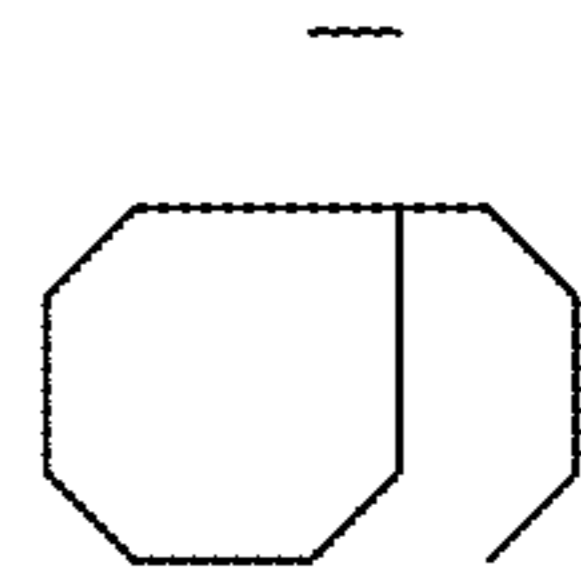
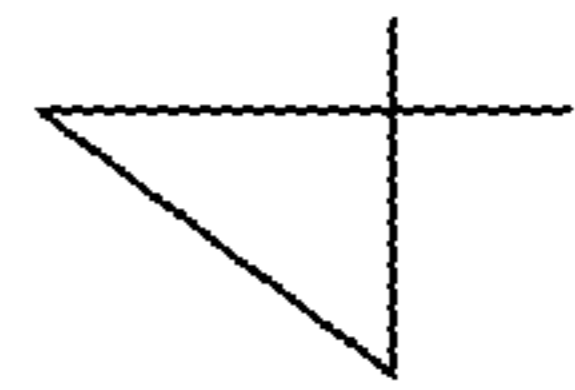
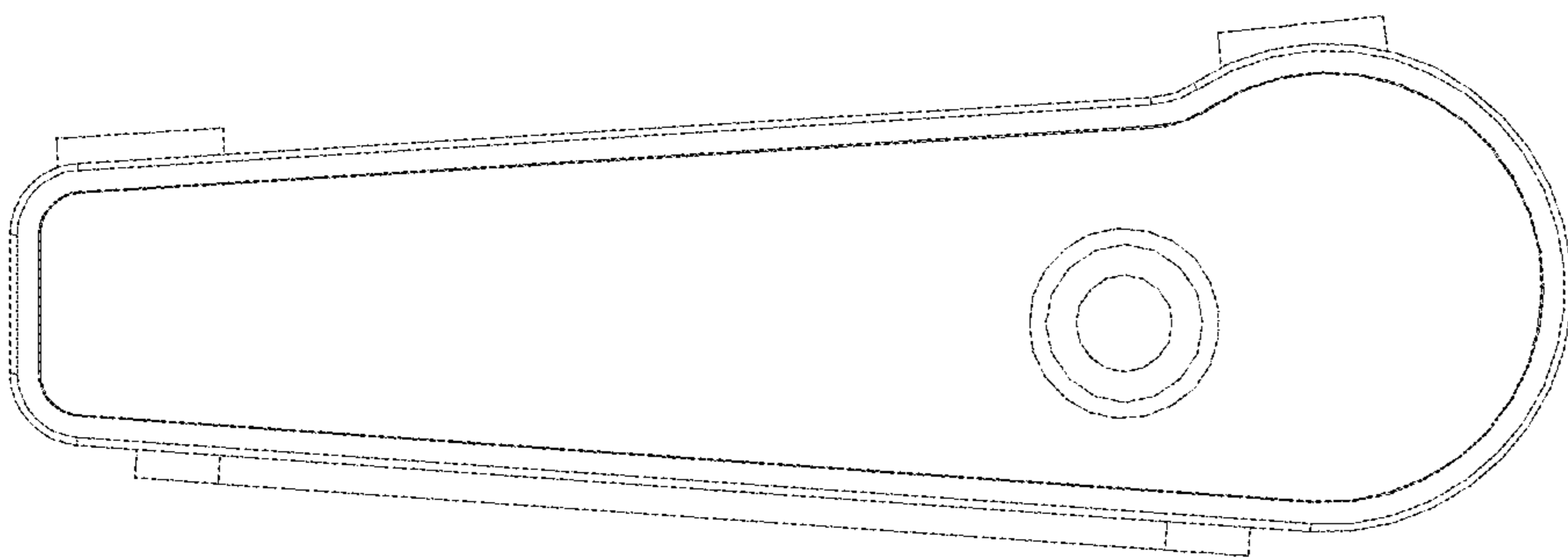


Fig. 2





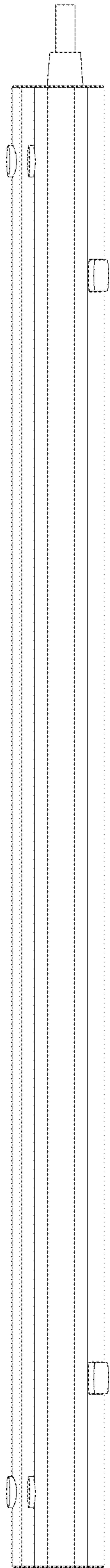


FIG. 5

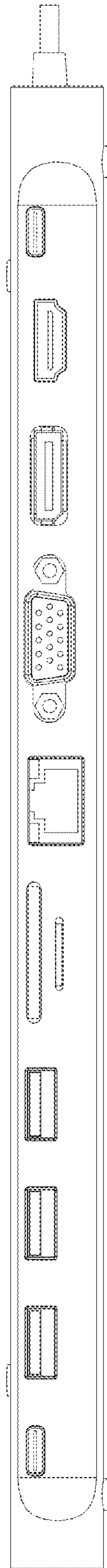


FIG. 6

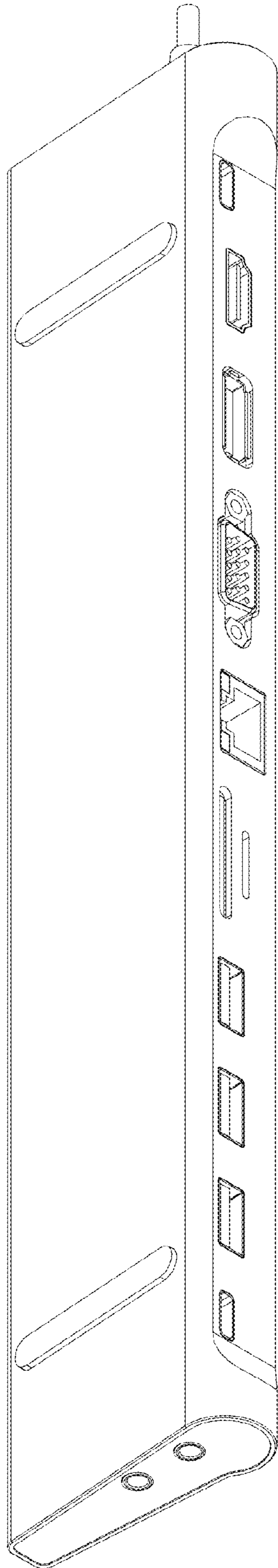


FIG. 7

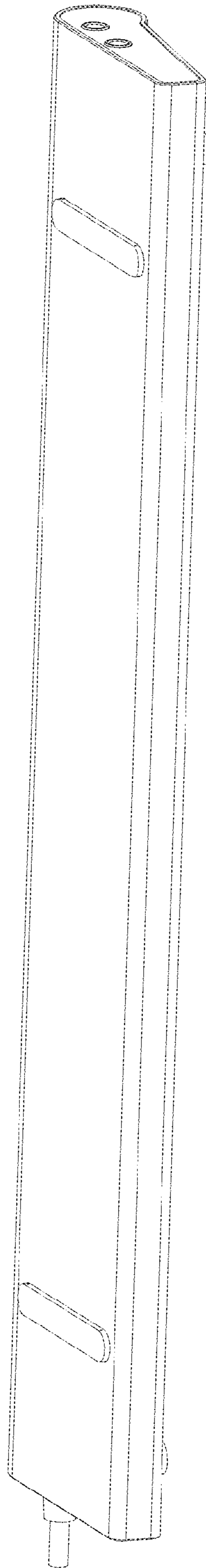


FIG. 8

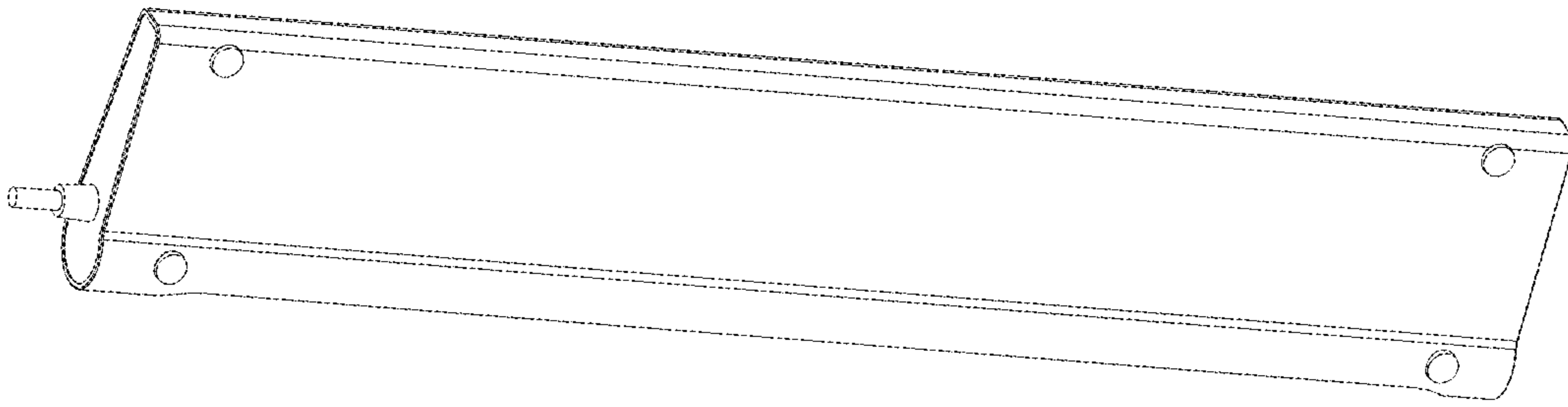


Fig. 9