



US00D937269S

(12) **United States Design Patent**
Zhang et al.

(10) **Patent No.:** **US D937,269 S**

(45) **Date of Patent:** **** Nov. 30, 2021**

- (54) **MULTI-FUNCTION CONVERTER**
- (71) Applicant: **UGREEN GROUP LIMITED**,
Shenzhen (CN)
- (72) Inventors: **Qingsen Zhang**, Shenzhen (CN);
Junling Chen, Shenzhen (CN); **Jirun Zhou**, Shenzhen (CN)
- (**) Term: **15 Years**
- (21) Appl. No.: **29/700,036**
- (22) Filed: **Jul. 31, 2019**
- (51) **LOC (13) Cl.** **14-99**
- (52) **U.S. Cl.**
USPC **D14/433**
- (58) **Field of Classification Search**
USPC D14/433, 434, 435.1, 480.1–480.7, 436,
D14/484.1, 155, 203.1–203.8, 240, 242,
D14/133, 154; D13/107, 108
CPC G06F 13/122; G06F 13/382; G06F 13/385;
G06F 13/4022; G06F 13/4282; G06F
1/1632; G06F 1/1684; H01R 25/006;
H05K 5/0278; G06K 19/07732
See application file for complete search history.

D865,676 S	*	11/2019	Liao	D13/147
D876,439 S	*	2/2020	Turksu	D14/433
D878,373 S	*	3/2020	Zhang	D14/433
D878,375 S	*	3/2020	Turksu	D14/433
D879,780 S	*	3/2020	Liao	D14/433
D880,480 S	*	4/2020	Liao	D14/433
D883,983 S	*	5/2020	Zhang	D14/433
D899,427 S	*	10/2020	Liao	D14/433
D904,412 S	*	12/2020	Qiu	D14/434

FOREIGN PATENT DOCUMENTS

EM 007479449-0002 * 1/2020

* cited by examiner

Primary Examiner — Rebekah A Caruso

(57) **CLAIM**

The ornamental design for a multi-function converter, as shown and described.

DESCRIPTION

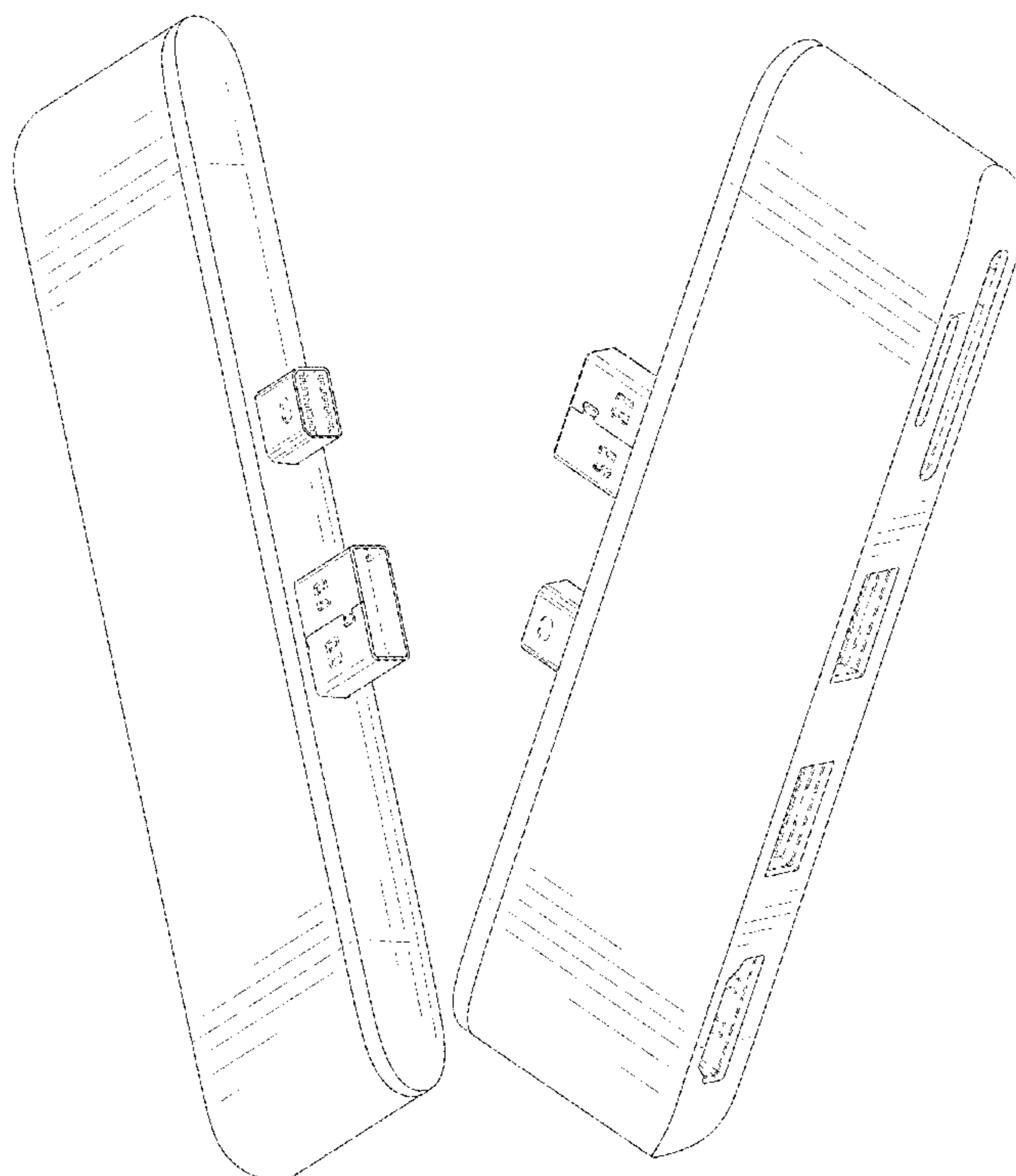
FIG. 1 is a left side perspective view of a multi-function converter showing our new design;
 FIG. 2 is a right side perspective view thereof;
 FIG. 3 is a front view thereof;
 FIG. 4 is a back view thereof;
 FIG. 5 is a left side view thereof;
 FIG. 6 is a right side view thereof;
 FIG. 7 is a top view thereof; and,
 FIG. 8 is a bottom view thereof.
 The broken lines in the figures illustrate portions of the multi-function converter that form no part of the claimed design.

1 Claim, 8 Drawing Sheets

(56) **References Cited**

U.S. PATENT DOCUMENTS

D800,730 S	*	10/2017	Liao	D14/433
D830,366 S	*	10/2018	Turksu	D14/433
D854,544 S	*	7/2019	Liao	D14/434
D862,473 S	*	10/2019	Liu	D14/433
D864,966 S	*	10/2019	Sang	D14/434



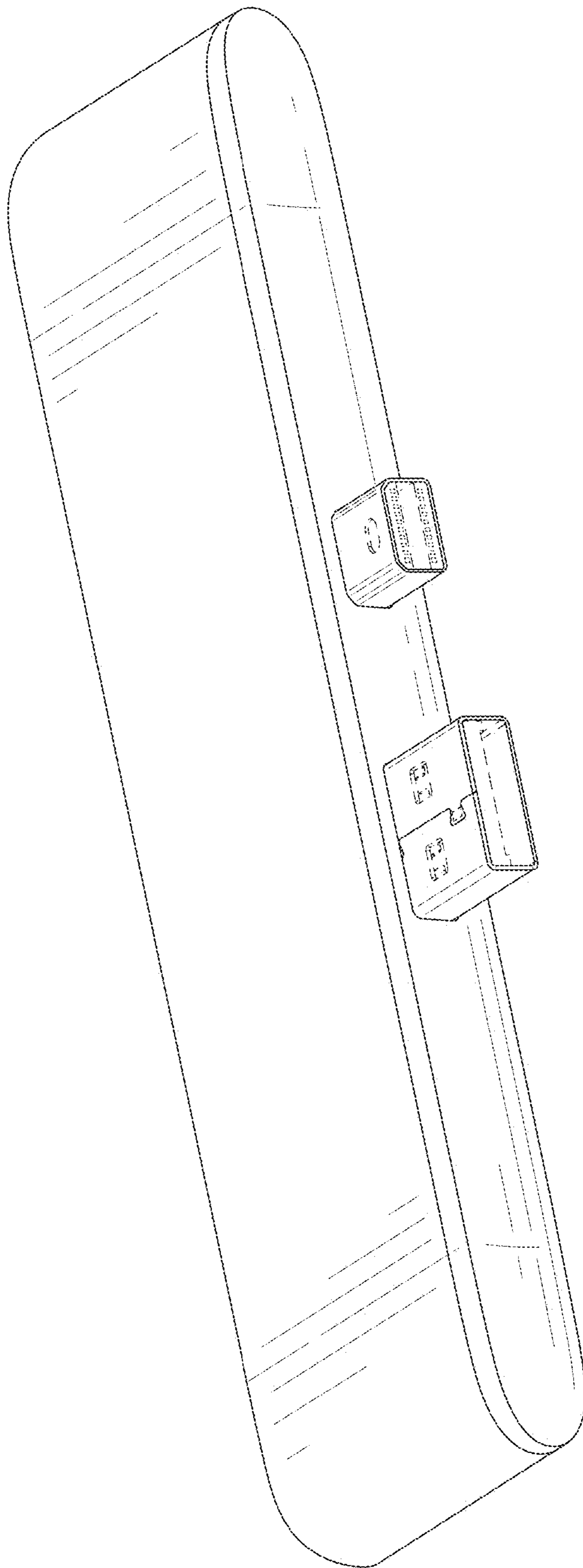


FIG. 1

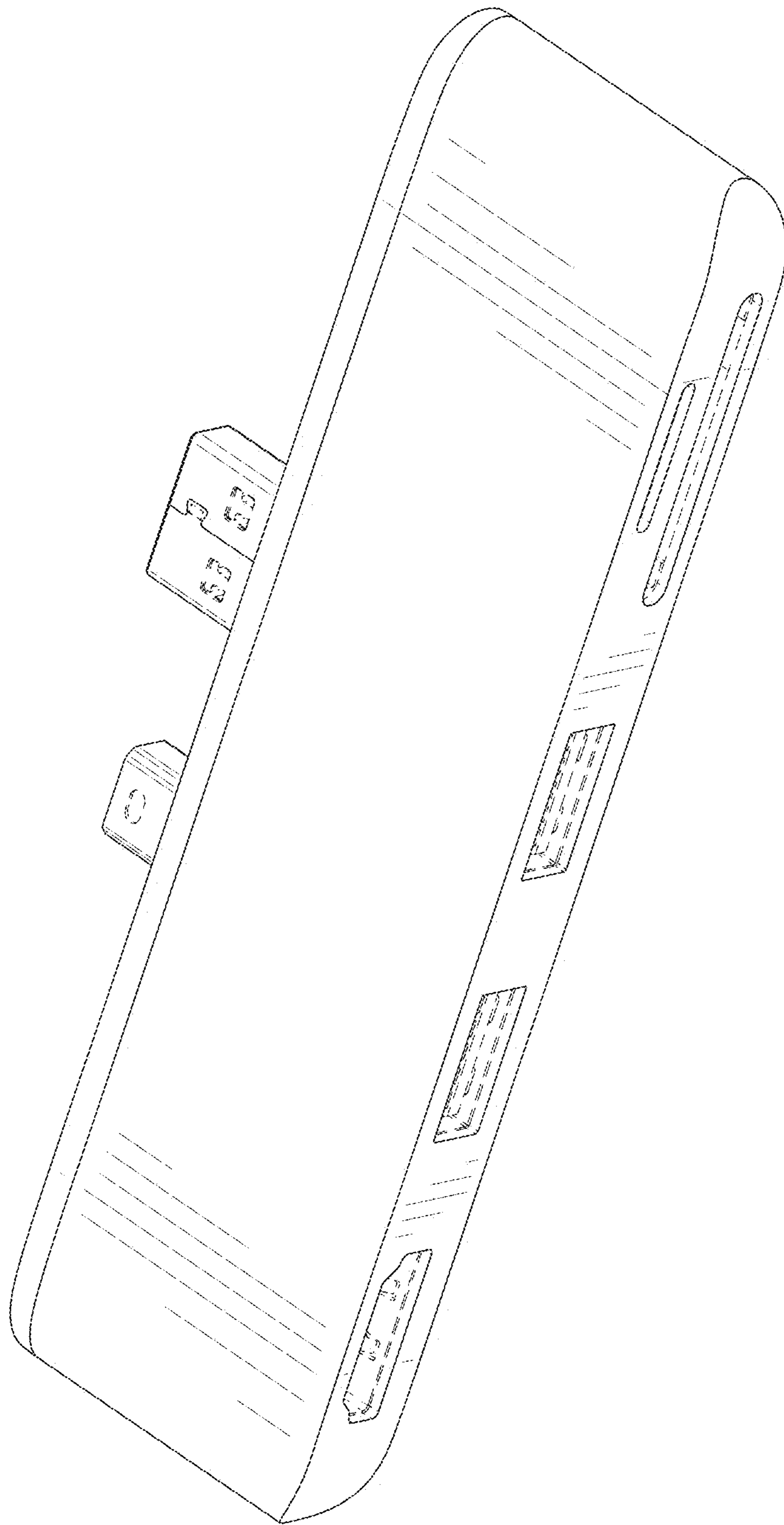


FIG. 2

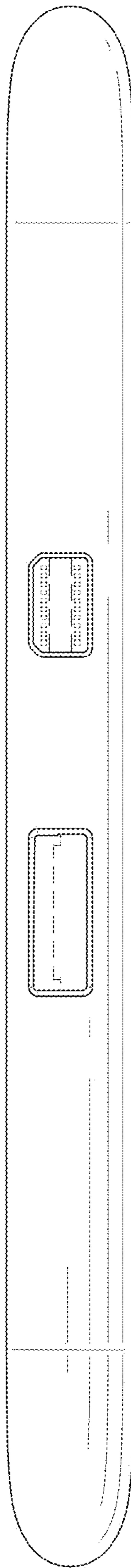


FIG. 3

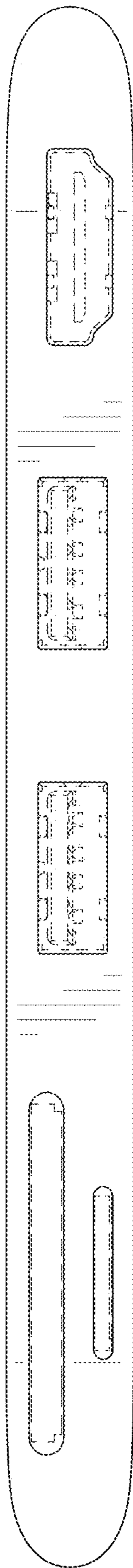


FIG. 4

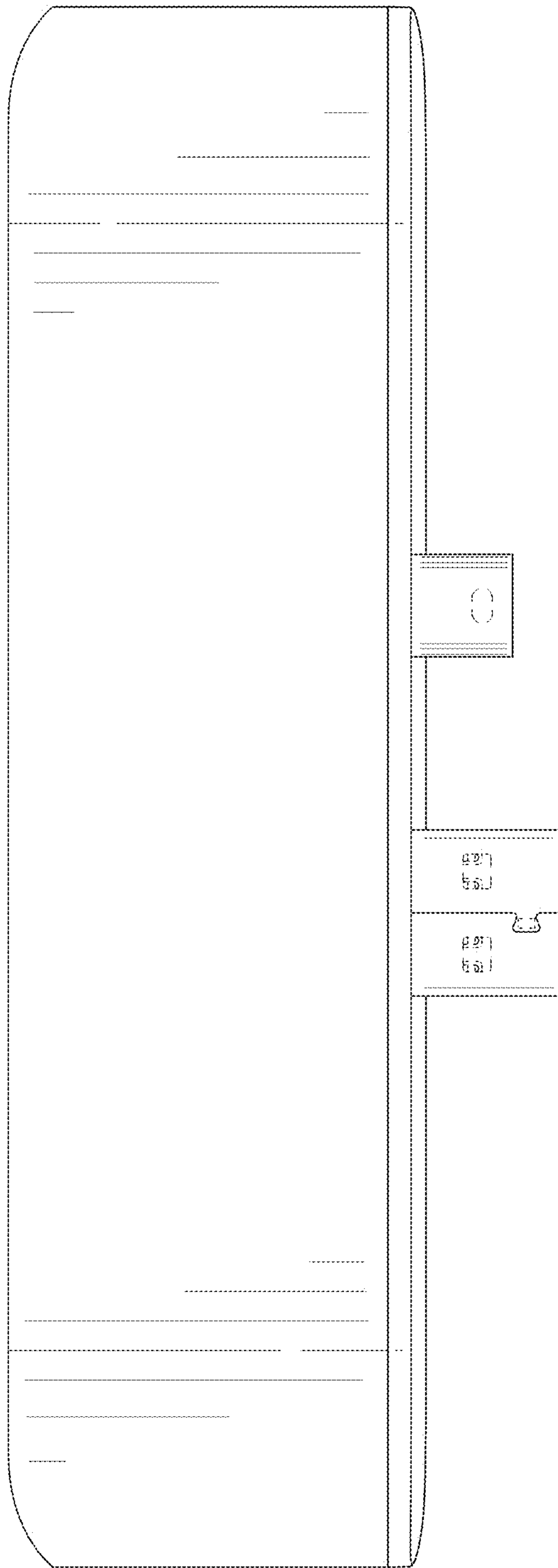


FIG. 5

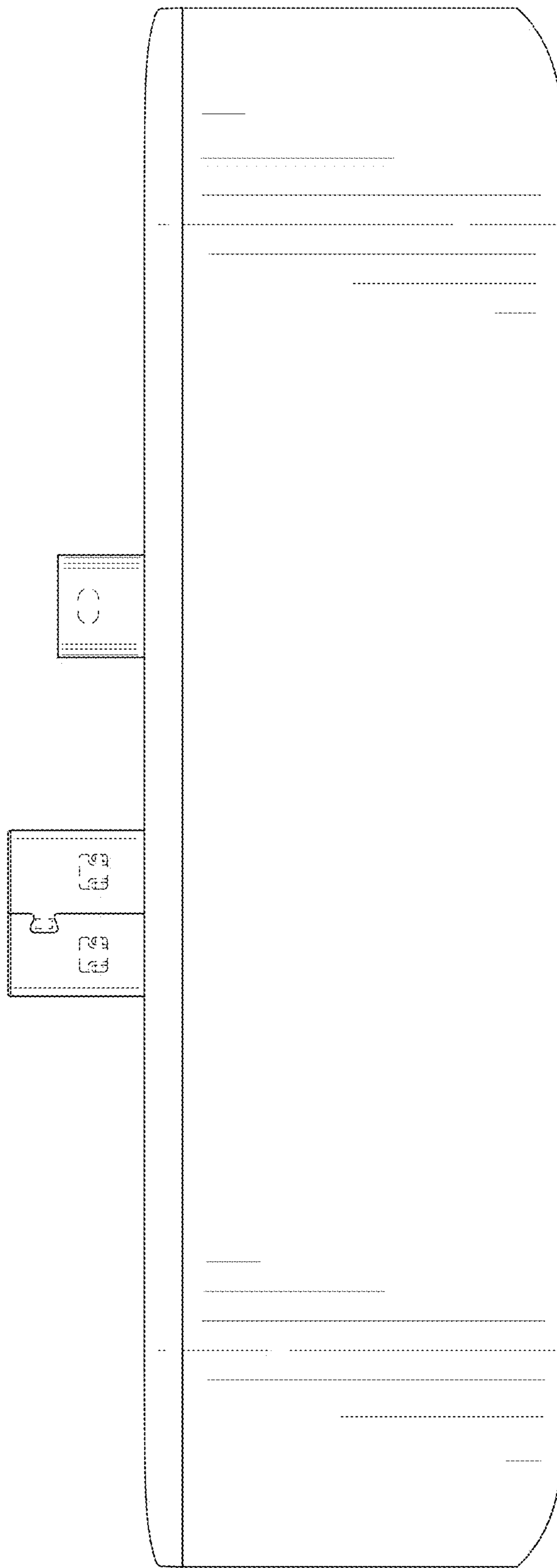


FIG. 6

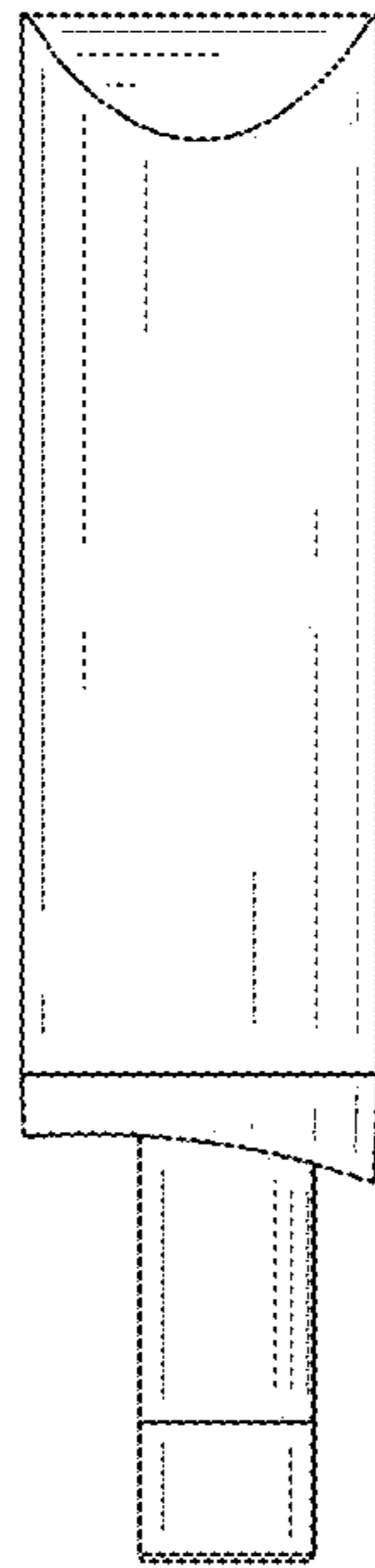


FIG. 7

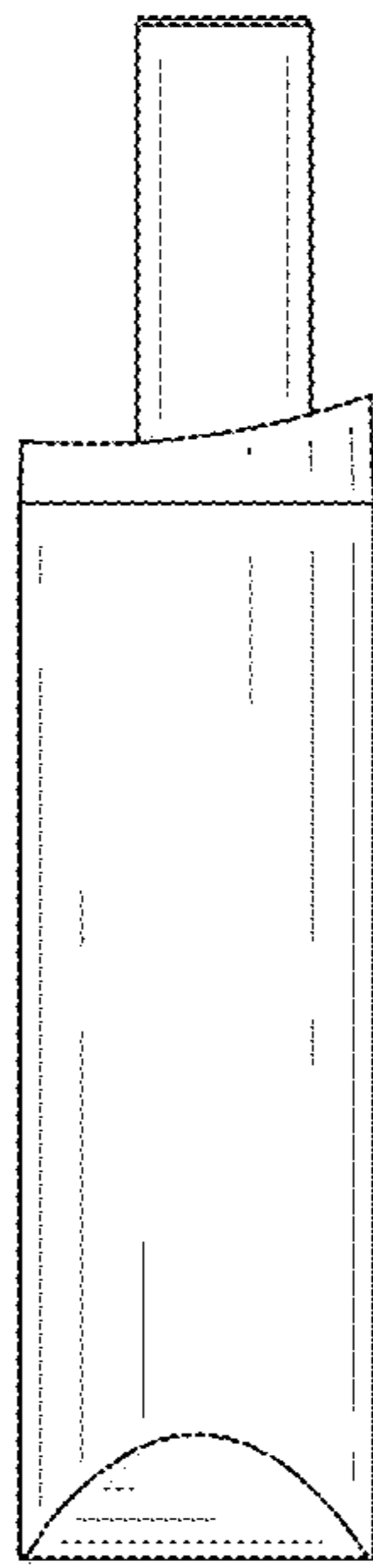


FIG. 8