

US00D937268S

(12) **United States Design Patent**
Jourson

(10) **Patent No.:** **US D937,268 S**

(45) **Date of Patent:** **** Nov. 30, 2021**

(54) **BRACKET**

(71) Applicant: **Therence Jourson, Villepinte (FR)**

(72) Inventor: **Therence Jourson, Villepinte (FR)**

(**) Term: **15 Years**

(21) Appl. No.: **29/737,571**

(22) Filed: **Jun. 10, 2020**

(51) **LOC (13) Cl.** **14-02**

(52) **U.S. Cl.**

USPC **D14/432**

(58) **Field of Classification Search**

USPC D3/318, 319, 328; D14/217, 299, 432,
D14/434, 447; D8/382, 349, 354, 374,
D8/381, 403

CPC . A45C 2013/026; A45C 13/36; A45C 13/002;
A45C 2013/025; B65D 81/053; B65D
81/054; B65D 81/055; B65D 81/056;
B65D 81/057

See application file for complete search history.

(56) **References Cited**

U.S. PATENT DOCUMENTS

D260,590 S *	9/1981	Hobson	D8/403
D287,446 S *	12/1986	Cowie	D8/403
D356,946 S *	4/1995	Rekuc	D8/403
5,427,339 A *	6/1995	Pauli	B05B 15/00 188/32
D361,846 S *	8/1995	Te’Kannon	D25/102
D384,585 S *	10/1997	Swarr	D9/456
D386,365 S *	11/1997	Rimback	D8/1
D386,368 S *	11/1997	Rimback	D8/1
D406,747 S *	3/1999	Sonntag	D8/354
D537,337 S *	2/2007	Brockington	D8/499
D598,756 S *	8/2009	Robichaud	D8/403
D640,539 S *	6/2011	Kindig	D8/403
D656,007 S *	3/2012	Swoish	D8/403
D660,454 S *	5/2012	Lavelle	D24/227
8,469,189 B2 *	6/2013	Liang	G06F 1/1656 206/320

D693,819 S *	11/2013	Cocquyt	D14/439
D709,360 S *	7/2014	Lavelle	D8/403
D729,042 S *	5/2015	Guzzoni	D8/349
D768,474 S *	10/2016	Super	D8/403
D770,269 S *	11/2016	Lavelle	D8/403
D783,856 S *	4/2017	Super	D24/227
D838,580 S *	1/2019	Apple	D8/374
D839,079 S *	1/2019	Brawner	D8/354
D844,426 S *	4/2019	Mueller	D8/403
D883,859 S *	5/2020	Norfleet	D12/106
D920,985 S *	6/2021	Kuo	D14/447

(Continued)

FOREIGN PATENT DOCUMENTS

CA	2853101 A1 *	4/2013	B65D 81/1275
EP	1617485 A1 *	1/2006	F24S 80/00
EP	2468659 A1 *	6/2012	B65D 81/057

Primary Examiner — Holly E Thurman

Assistant Examiner — Ieisha N Price

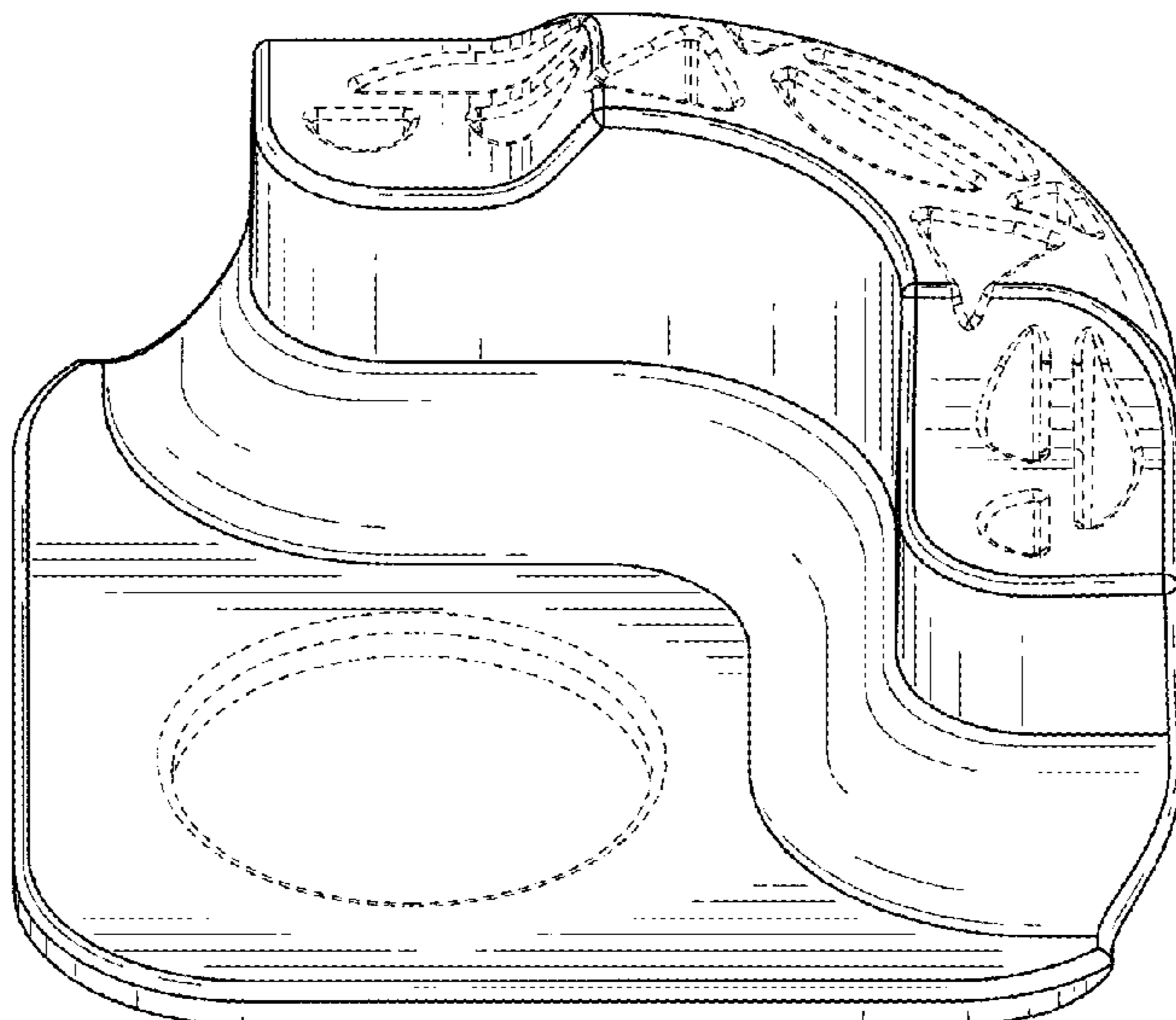
(57) **CLAIM**

The ornamental design for a bracket, as shown and described.

DESCRIPTION

FIG. 1 is a front-top perspective view of a bracket showing our new design;
 FIG. 2 is a front-bottom perspective view thereof;
 FIG. 3 is a rear-top perspective view thereof;
 FIG. 4 is a rear-bottom perspective view thereof;
 FIG. 5 is a front elevational view thereof;
 FIG. 6 is a rear elevational view thereof;
 FIG. 7 is a left elevational view thereof;
 FIG. 8 is a right elevational view thereof;
 FIG. 9 is a top plan view thereof; and,
 FIG. 10 is a bottom plan view thereof.
 The broken lines in the drawings illustrate portions of the bracket which form no part of the claimed design.

1 Claim, 10 Drawing Sheets



(56)

References Cited

U.S. PATENT DOCUMENTS

2012/0082537 A1* 4/2012 Yoshida B65D 81/056
414/802
2012/0305444 A1* 12/2012 Fujita B65D 81/056
206/701
2013/0056374 A1* 3/2013 Chung A45C 11/00
206/320
2013/0299375 A1* 11/2013 Chen B29C 33/306
206/454
2017/0000232 A1* 1/2017 Scicluna A45C 13/36
2020/0343925 A1* 10/2020 Huang A45C 13/36
2021/0221559 A1* 7/2021 Wakimoto B65D 19/38

* cited by examiner

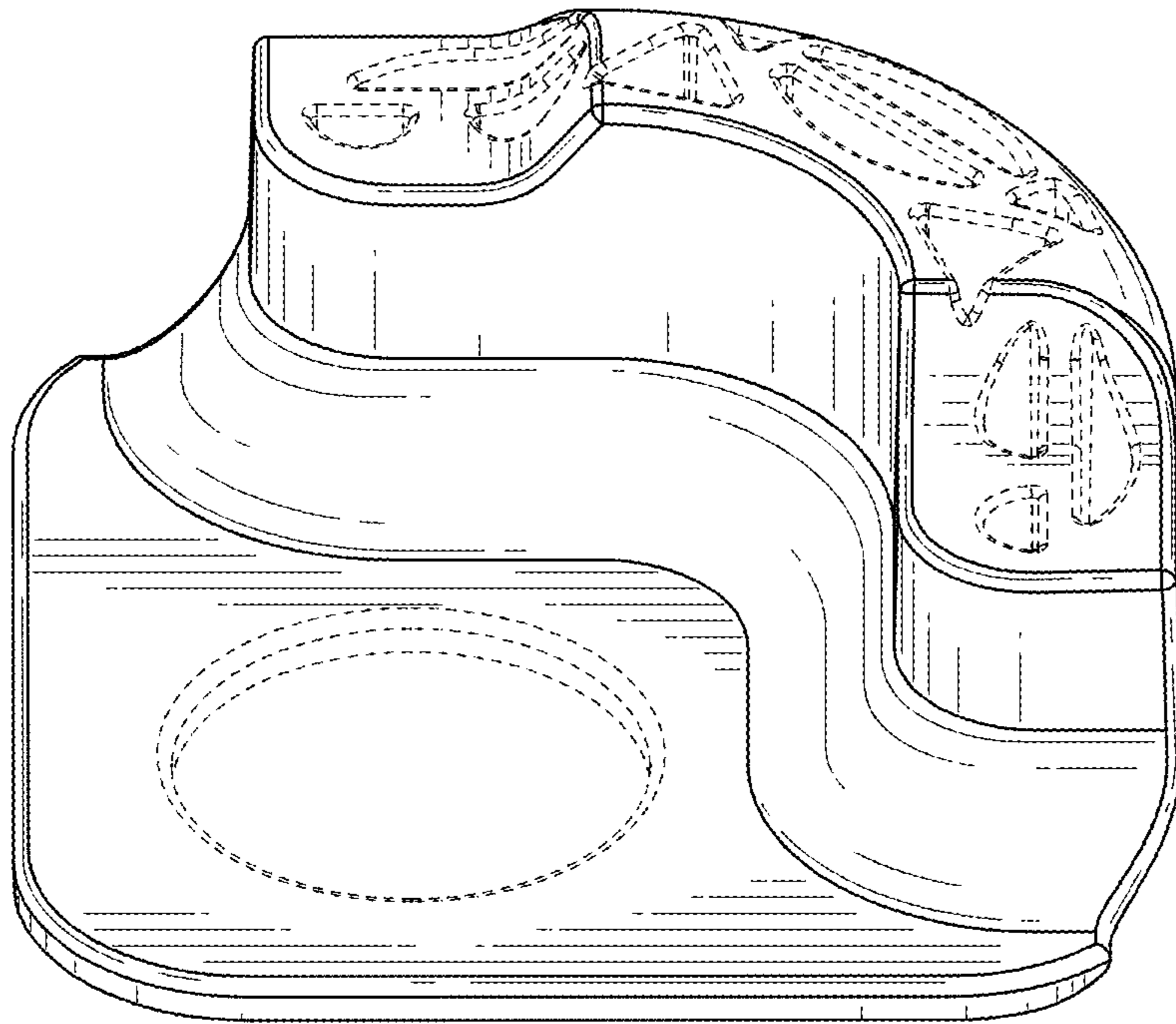


FIG. 1

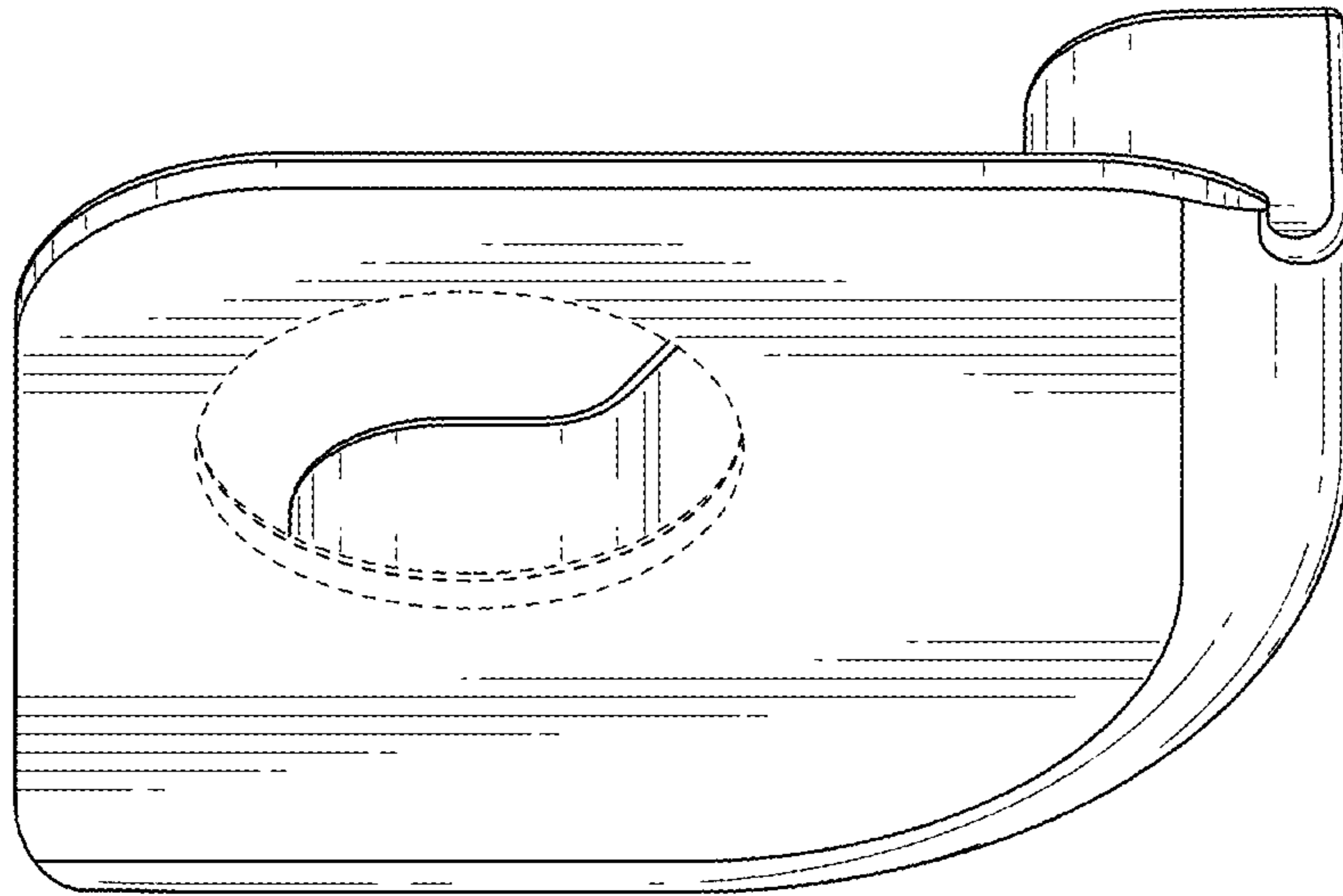


FIG. 2

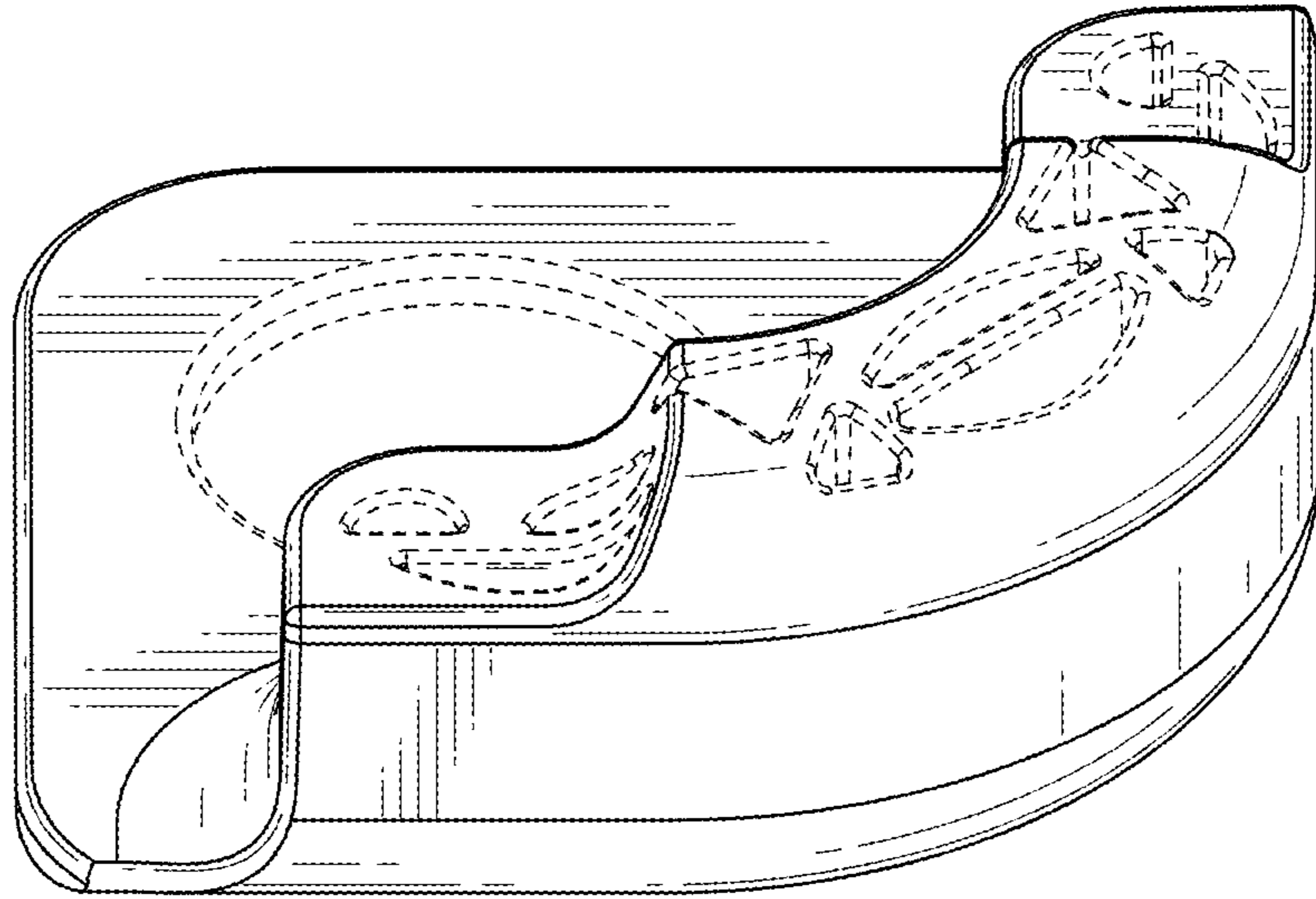


FIG. 3

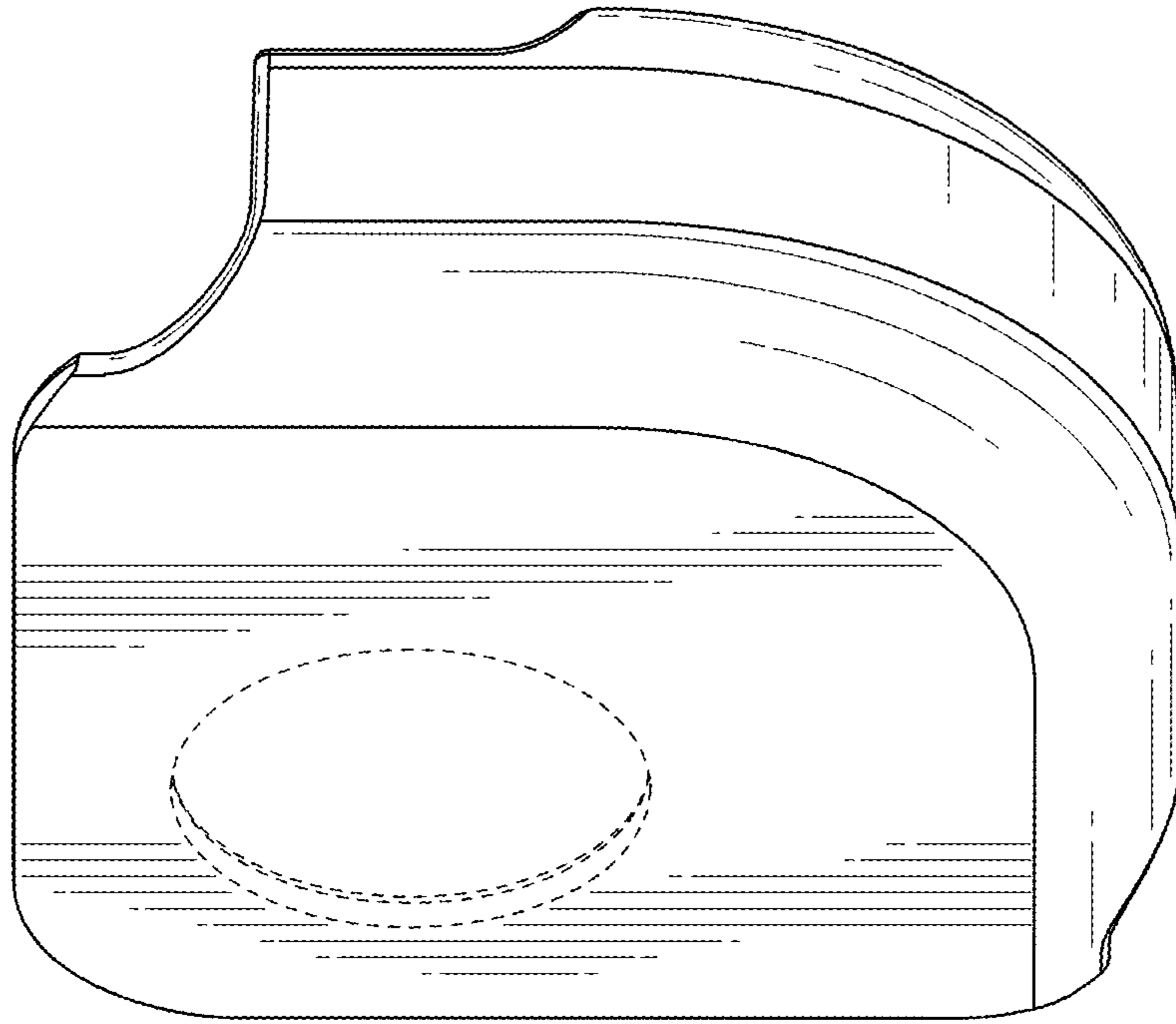


FIG. 4

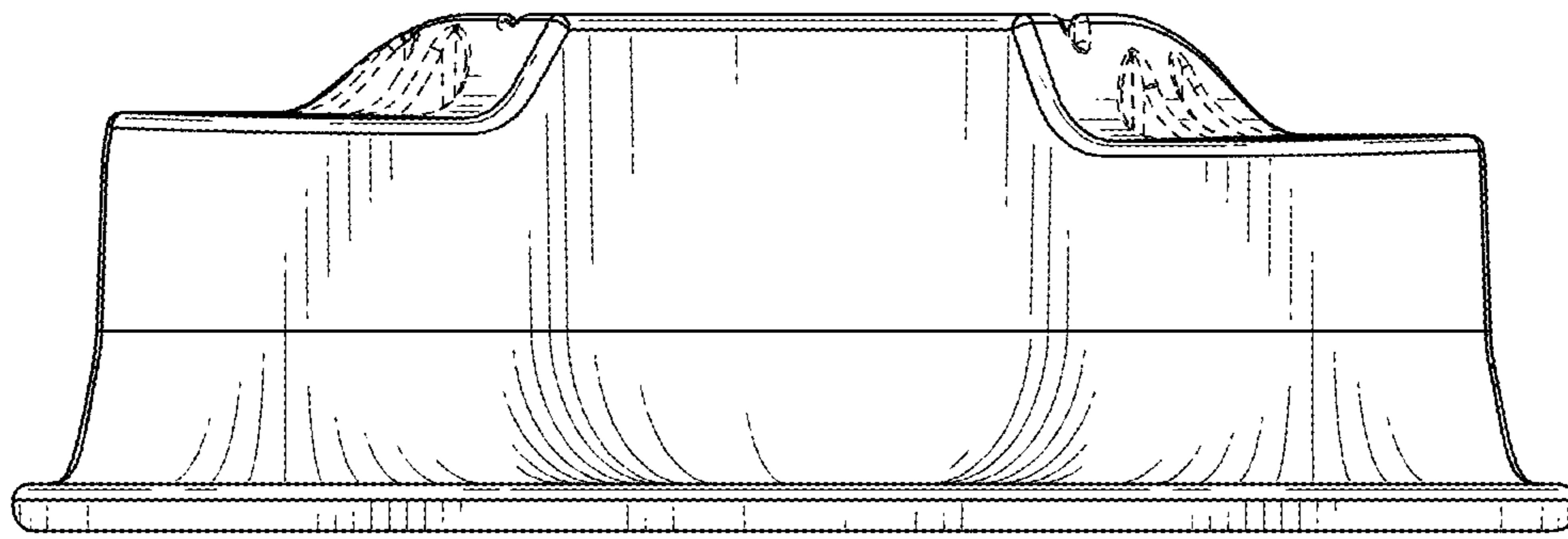


FIG. 5

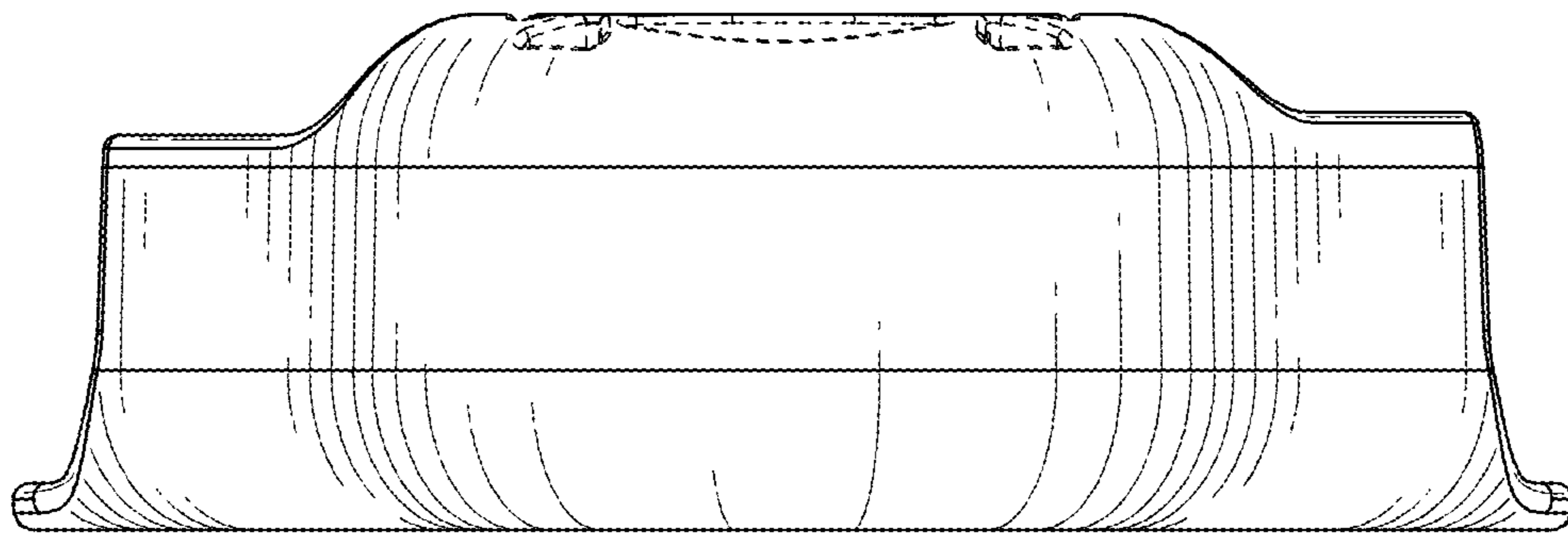


FIG. 6

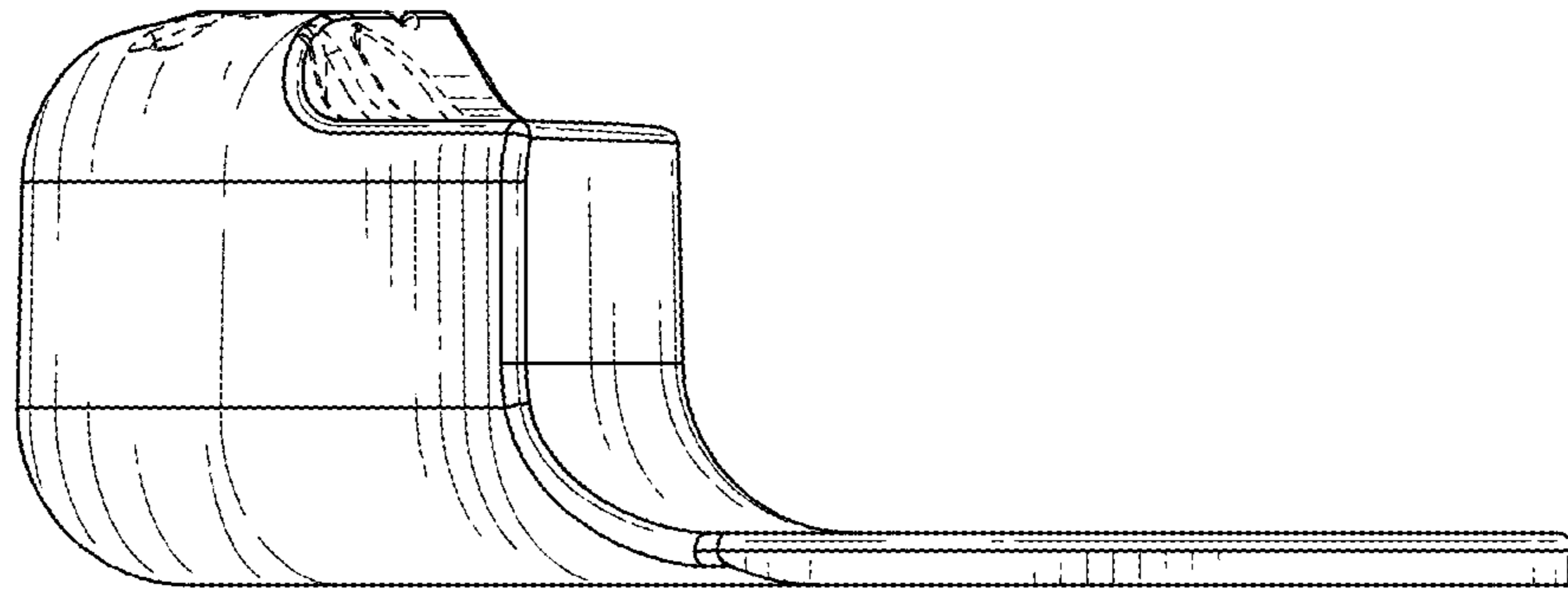


FIG. 7

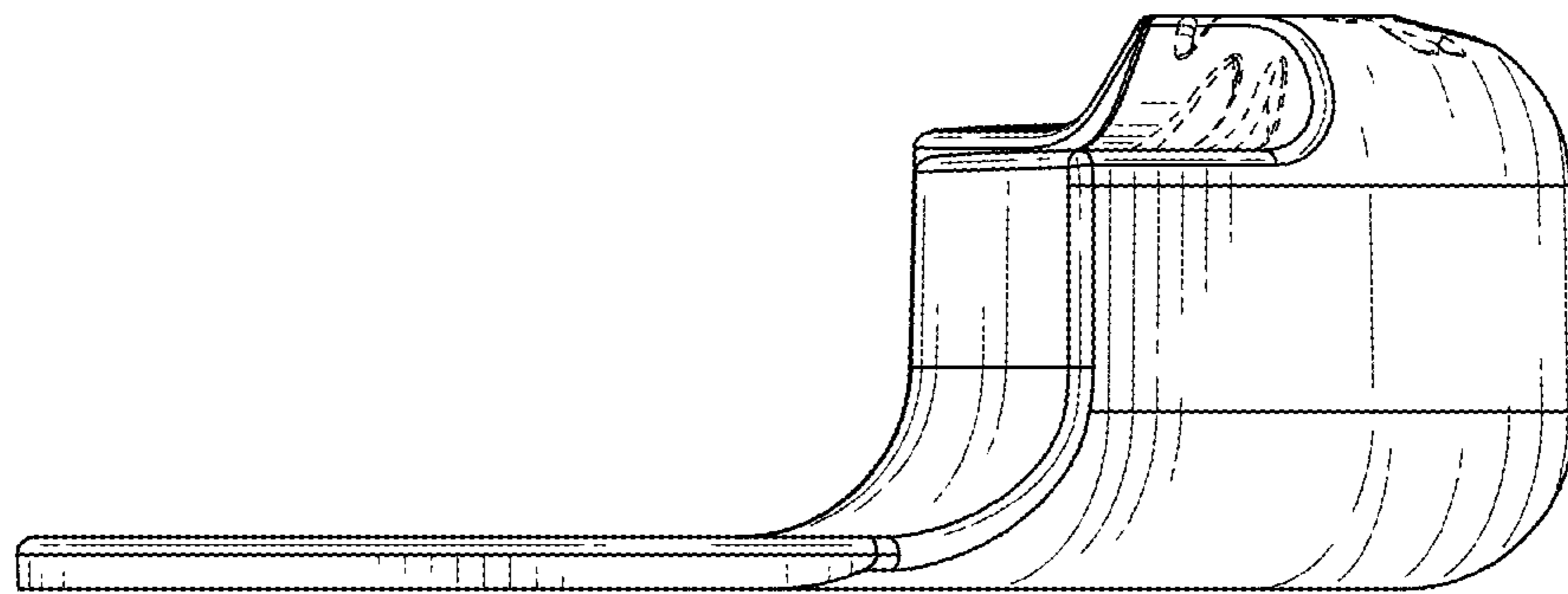


FIG. 8

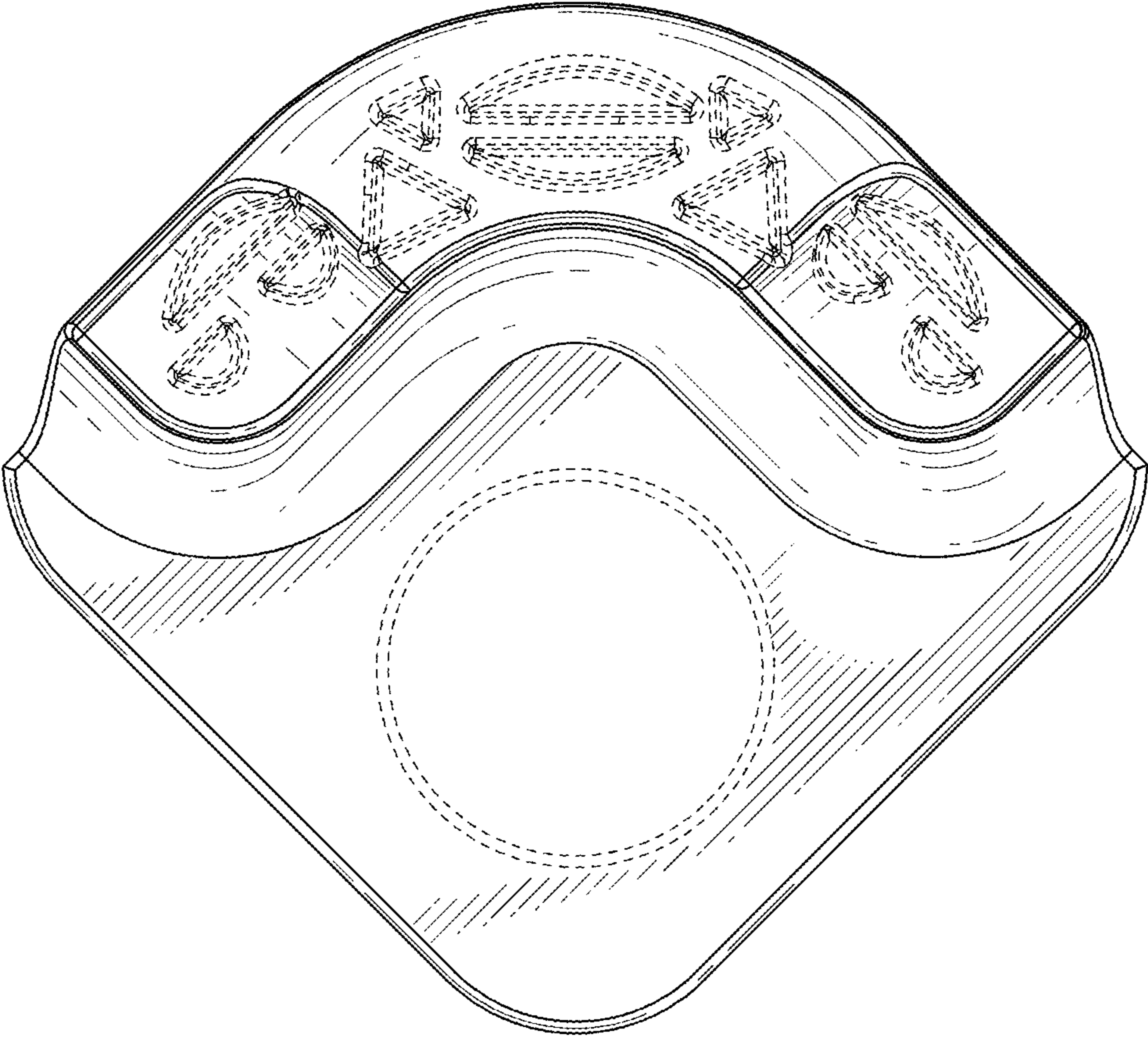


FIG. 9

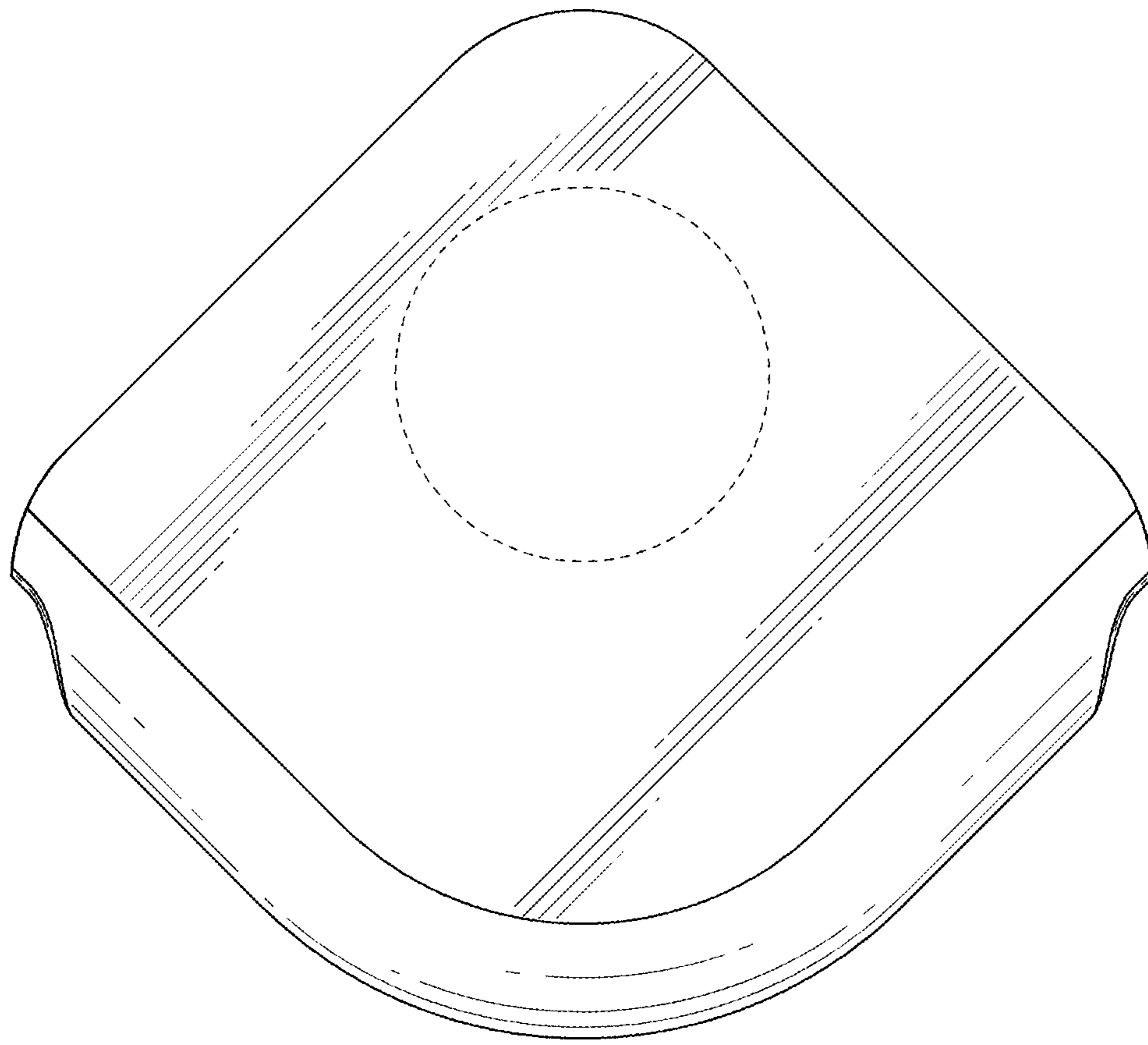


FIG. 10