



US00D937266S

(12) **United States Design Patent** (10) **Patent No.:** **US D937,266 S**  
**Stille et al.** (45) **Date of Patent:** **\*\* Nov. 30, 2021**

(54) **PEDESTAL SCANNER**

G08B 13/194; G08B 13/246; G08B 13/2462; G08B 13/2465; A47F 9/04; A47F

(71) Applicant: **Amazon Technologies, Inc.**, Seattle, WA (US)

(Continued)

(72) Inventors: **Sara Elizabeth Stille**, Seattle, WA (US); **Alexander Digby Williams**, Seattle, WA (US); **Claire Gottschalk**, Bellevue, WA (US); **Weihua Ge**, Bellevue, WA (US)

(56) **References Cited**

U.S. PATENT DOCUMENTS

D289,291 S \* 4/1987 Kapper ..... D14/389  
D299,028 S \* 12/1988 Hermann ..... D10/31

(Continued)

(73) Assignee: **Amazon Technologies, Inc.**, Seattle, WA (US)

*Primary Examiner* — Susan Moon Lee

(74) *Attorney, Agent, or Firm* — Lee & Hayes, P.C.

(\*\*) Term: **15 Years**

(57) **CLAIM**

(21) Appl. No.: **29/725,425**

The ornamental design for a pedestal scanner, as shown and described.

(22) Filed: **Feb. 25, 2020**

**DESCRIPTION**

(51) **LOC (13) Cl.** ..... **14-02**

(52) **U.S. Cl.**

USPC ..... **D14/420**; D14/421; D14/453

(58) **Field of Classification Search**

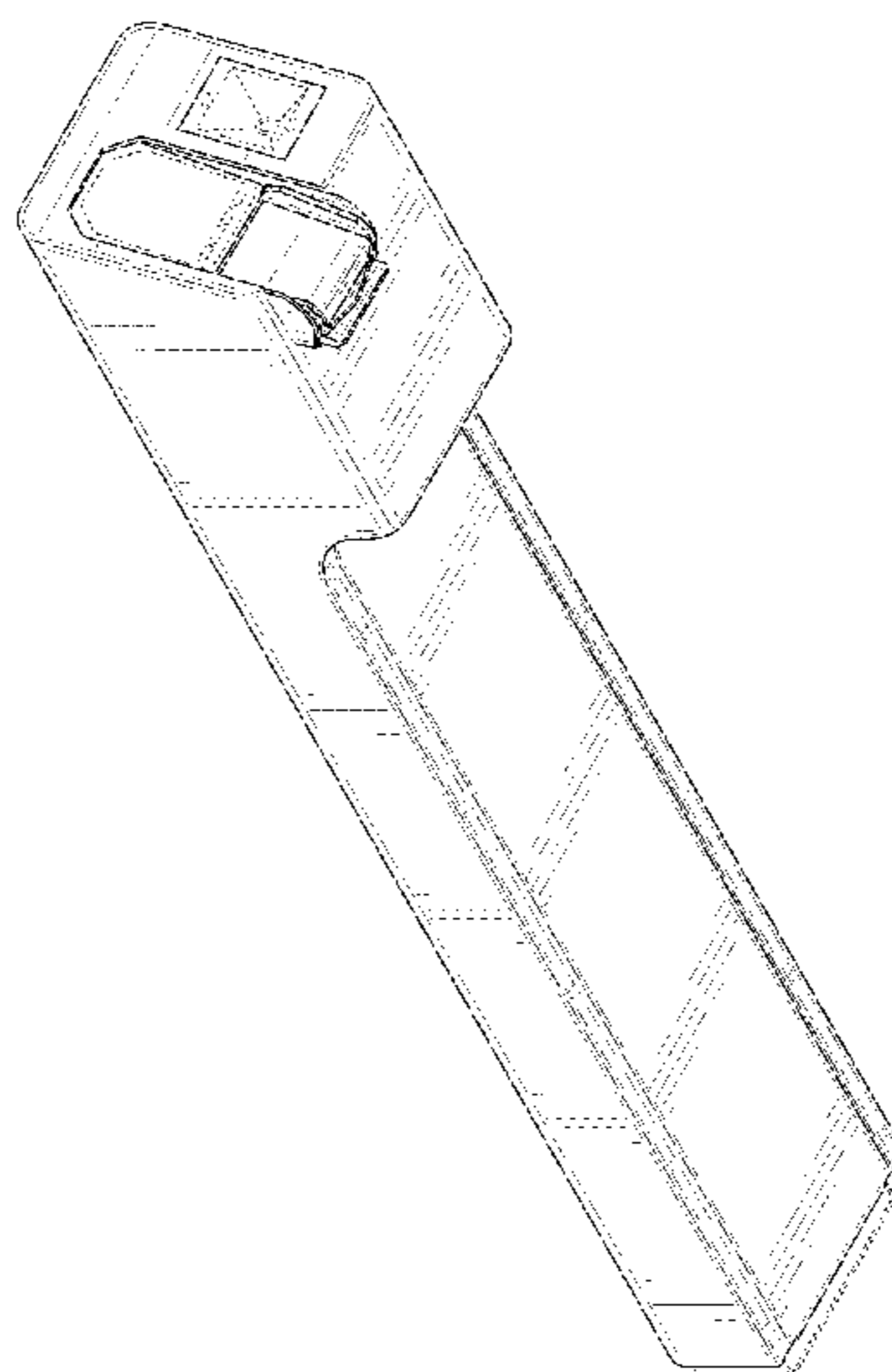
USPC ..... D14/421–425, 420, 434, 453; D18/55, D18/49, 46, 40, 36–39, 41, 44, 45, 47, D18/48, 50–54, 56; 235/462, 455, 470, 235/462.43, 482, 483, 462.21, 472.01, 235/435, 439, 440, 446, 454, 461, 462.32, 235/462.35, 462.41, 462.42, 463; 358/474, 486, 488, 496, 497, 498, 452, 358/449, 451, 453, 1.13; 318/685, 696; 355/81, 75; 399/405, 367, 379, 380; 382/217; 715/209, 222, 226, 274; 400/613, 613.1–613.4, 690.1–690.4, 400/691–694; D26/1–3, 24, 56, 72, D26/74–86, 88–91, 25; D13/180, 182; 362/150, 217.01–217.09, 217.1, 217.12, 362/217.13, 260, 364, 365, 366, 404, 555, 362/576, 800, 14, 148, 296.01

CPC .. D07G 1/0036; D07G 1/0045; D07G 1/0063; D07G 1/0072; D07G 1/009; G08B 13/1427; G08B 13/1472; G08B 13/1481;

FIG. 1 is a top, front, left-side perspective view of a first embodiment of a pedestal scanner; FIG. 2 is a bottom, front, right-side perspective view thereof; FIG. 3 is a front view thereof; FIG. 4 is a back view thereof; FIG. 5 is a left-side view thereof; FIG. 6 is a right-side view thereof; FIG. 7 is a top view thereof; FIG. 8 is a bottom view thereof; FIG. 9 is a top, front, left-side perspective view of a second embodiment of a pedestal scanner; FIG. 10 is a bottom, front, right-side perspective view thereof; FIG. 11 is a front view thereof; FIG. 12 is a back view thereof; FIG. 13 is a left-side view thereof; FIG. 14 is a right-side view thereof; FIG. 15 is a top view thereof; and, FIG. 16 is a bottom view thereof.

The dashed broken lines depict portions of the pedestal scanner that form no part of the claimed design.

**1 Claim, 16 Drawing Sheets**



(58) **Field of Classification Search**

CPC ..... 9/046; A47F 9/047; A47F 9/048; A47F 10/02; A47F 2010/005; A47F 2010/025; G06K 7/10792; G06K 7/10801; G06K 7/10811; G06K 7/1096; G06K 7/1097; G06K 7/1098; G06K 7/12; G06K 7/14; G06K 7/143; G06K 7/146; G06K 2007/10485; G06K 7/10544-10762; G06K 7/10821-10871; G06K 7/1404-7/1495; G06K 2207/00; G06K 2207/1011-1018; G01G 19/4144; G01G 21/22; G01G 21/28; G01G 23/32; G01G 23/34; G01G 23/35; G01G 23/375; G01G 23/38; G01G 23/44; G07G 1/0063; G07G 1/0072; G07G 3/006; G02B 5/09; G02B 6/00; G06T 2211/00; H04N 1/0313-032; H04N 1/02815-02895; H04N 1/0249; H04N 1/02481; H04N 1/00; H04N 1/12; H04N 1/00013; H04N 1/00015; H04N 1/00018; H04N 1/00026; H04N 1/00557; H04N 1/00564; H04N 1/00567; H04N 1/0057; H04N 1/00572; H04N 1/00586; H04N 1/00588; H04N 1/00591; H04N 1/00594; H04N 1/00596; H04N 1/00604; H04N 1/00519; H04N 1/00559; H04N 1/00551; H04N 1/00278; H04N 1/1013; H04N 1/10; H04N 5/2251-2256; H04N 2201/02456; H04N 2201/02458; H04N 2201/02462; H04N 2201/03468; H04N 2201/02485; H04N 2201/0249; H04N 2201/02481; H04N 2201/0456; H04N 2201/0446; H04N 2201/00; H04N 2201/0094; H01L 27/14618-14643; H01L 27/14649; H01L 27/14652; H01L 27/14658-1467; H01L 31/0232-02327; H01L 31/1055; H01L 31/14; G03G 15/0142; G03G 15/605; G03G 15/602; F21S 2/00; F21S 4/00; F21S 4/003; F21S 4/005; F21S 4/006; F21S 4/007; F21S 4/008; F21S 6/00; F21S 8/00; F21S 8/024; F21S 8/026; F21S 8/031; F21S 8/033; F21S 8/035-037; F21S 8/04; F21S 8/043; F21S 8/063

See application file for complete search history.

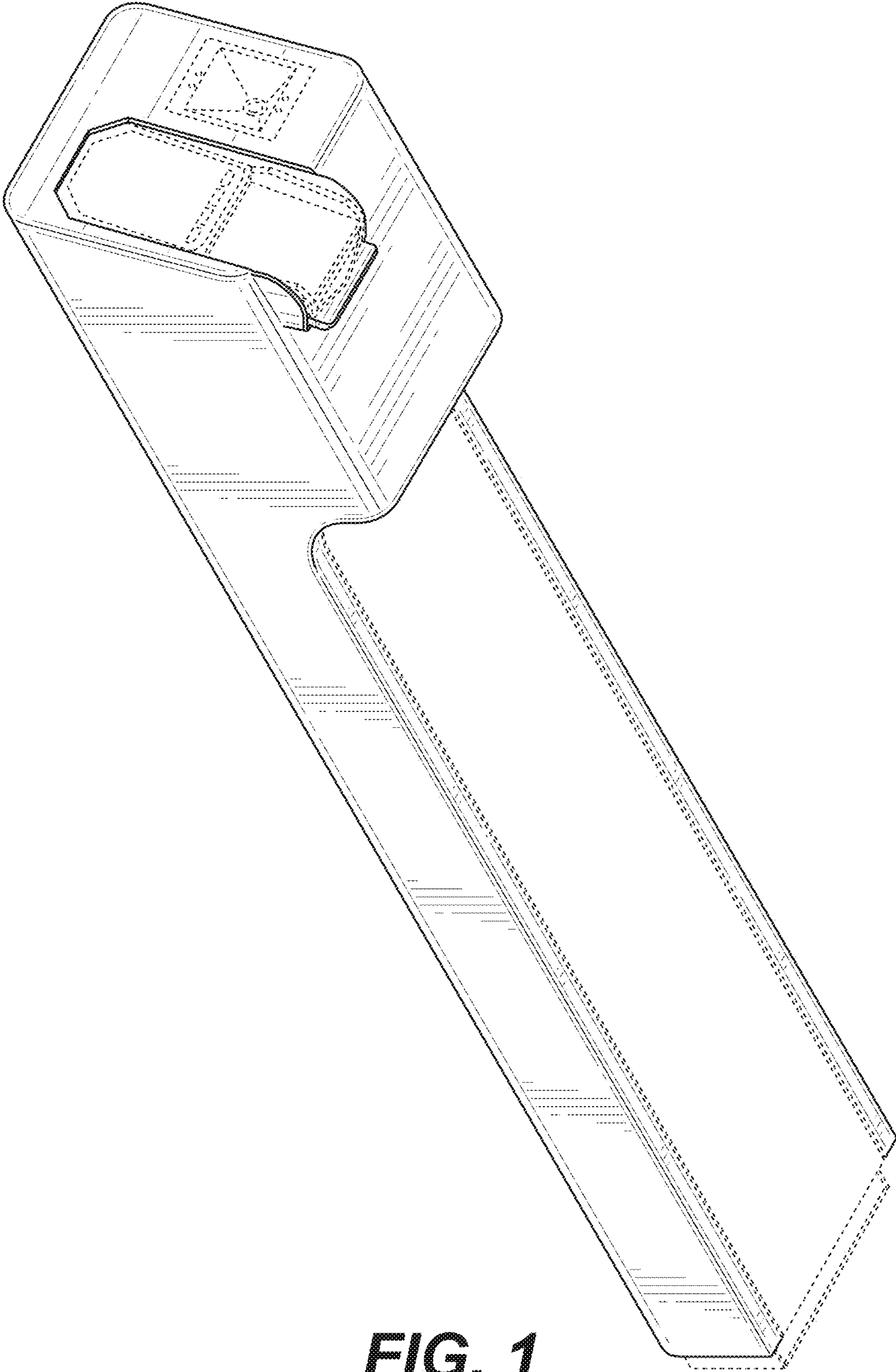
(56) **References Cited**

U.S. PATENT DOCUMENTS

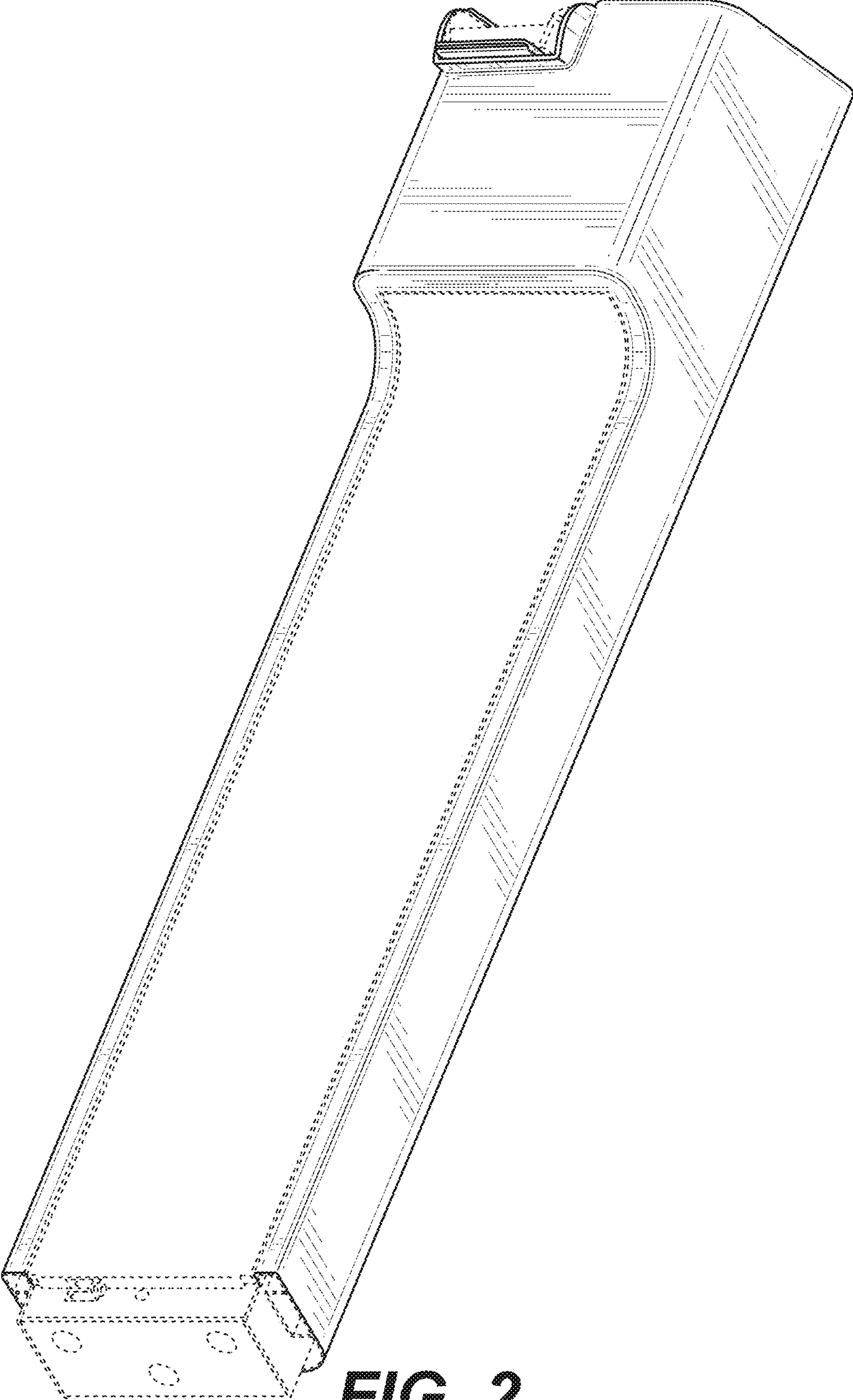
D311,393 S \* 10/1990 Weaver ..... D14/420  
 D315,337 S \* 3/1991 Weaver ..... D14/420

D354,280 S \* 1/1995 Fenton ..... D14/137  
 D355,173 S \* 2/1995 Fenton ..... D14/137  
 5,808,289 A \* 9/1998 Becker ..... G06K 7/10891  
 235/462.01  
 5,844,228 A \* 12/1998 Nukui ..... G06K 7/1092  
 235/472.01  
 D411,202 S \* 6/1999 Flanagan, III ..... D14/459  
 D416,032 S \* 11/1999 Bakshi ..... D16/203  
 D426,240 S \* 6/2000 Senda ..... D14/420  
 D427,587 S \* 7/2000 Jacobsen ..... D14/240  
 D444,787 S \* 7/2001 Tsushima ..... D14/420  
 D537,807 S \* 3/2007 Griffin ..... D14/155  
 D544,462 S \* 6/2007 Patel ..... D14/155  
 D565,577 S \* 4/2008 Hanks ..... D14/426  
 D583,822 S \* 12/2008 Matsumoto ..... D14/426  
 D585,066 S \* 1/2009 Morris ..... D14/427  
 D621,834 S \* 8/2010 Kinno ..... D14/383  
 D688,804 S \* 8/2013 Kim ..... D24/216  
 D691,732 S \* 10/2013 Shibata ..... D24/216  
 D693,348 S \* 11/2013 Min ..... D14/426  
 D697,917 S \* 1/2014 Sato ..... D14/420  
 D699,368 S \* 2/2014 Quilter ..... D24/216  
 D717,308 S \* 11/2014 Knoll ..... D14/453  
 D717,799 S \* 11/2014 Lee ..... D14/420  
 D727,327 S \* 4/2015 Quilter ..... D14/420  
 D727,901 S \* 4/2015 Nishimura ..... D14/383  
 D732,034 S \* 6/2015 Chen ..... D14/420  
 D736,755 S \* 8/2015 Kwak ..... D14/248  
 D750,513 S \* 3/2016 King ..... D10/70  
 D752,240 S \* 3/2016 Chan ..... D24/216  
 D787,506 S \* 5/2017 Takiguchi ..... D14/341  
 D787,508 S \* 5/2017 Takiguchi ..... D14/341  
 D807,213 S \* 1/2018 Williams ..... G01N 33/12  
 D10/81  
 D808,391 S \* 1/2018 Schooneveldt ..... D14/426  
 D808,833 S \* 1/2018 Abbott ..... D10/81  
 D817,959 S \* 5/2018 Varotto ..... D14/384  
 D870,731 S \* 12/2019 Kuo ..... D14/420  
 D895,841 S \* 9/2020 Mathers ..... D24/232  
 D908,704 S \* 1/2021 Long ..... D14/420  
 D916,092 S \* 4/2021 Szabo ..... D14/426  
 D921,222 S \* 6/2021 Osborne ..... D24/232  
 2003/0111530 A1 \* 6/2003 Iki ..... G07B 15/00  
 235/382  
 2007/0286646 A1 \* 12/2007 Ichikawa ..... G03G 15/0855  
 399/262  
 2009/0269841 A1 \* 10/2009 Wojciechowski ..... C12M 27/00  
 435/325  
 2013/0057927 A1 \* 3/2013 Durant ..... H04N 1/00541  
 358/474  
 2017/0091379 A1 \* 3/2017 Vickers ..... G16B 20/00  
 2017/0091380 A1 \* 3/2017 Vickers ..... G01N 33/6893  
 2017/0184585 A1 \* 6/2017 Markovsky ..... G01N 33/54366

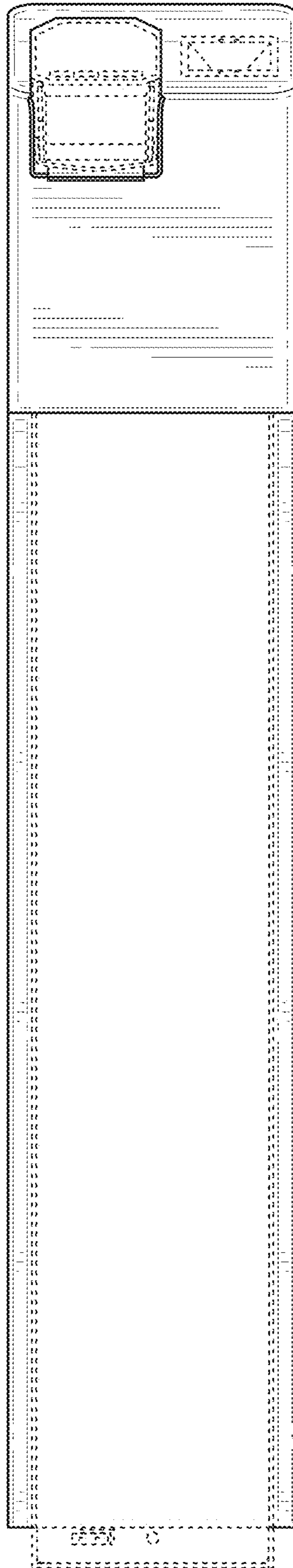
\* cited by examiner



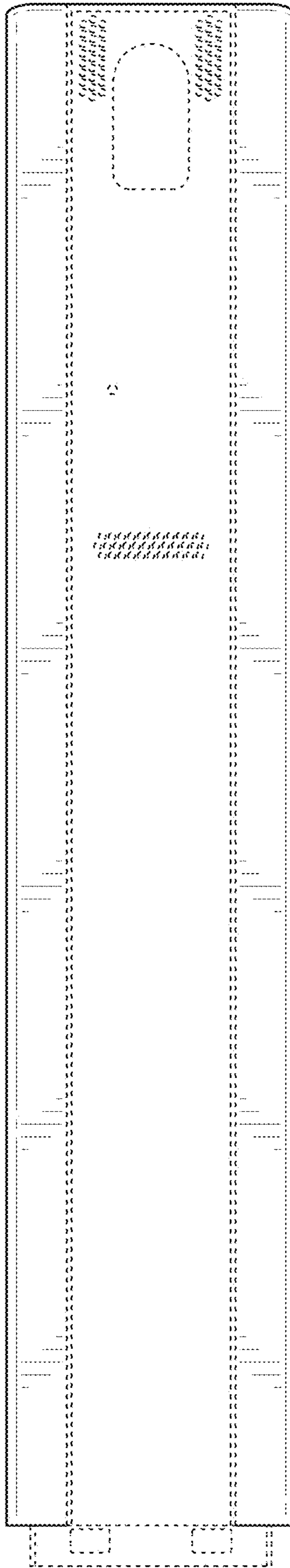
**FIG. 1**



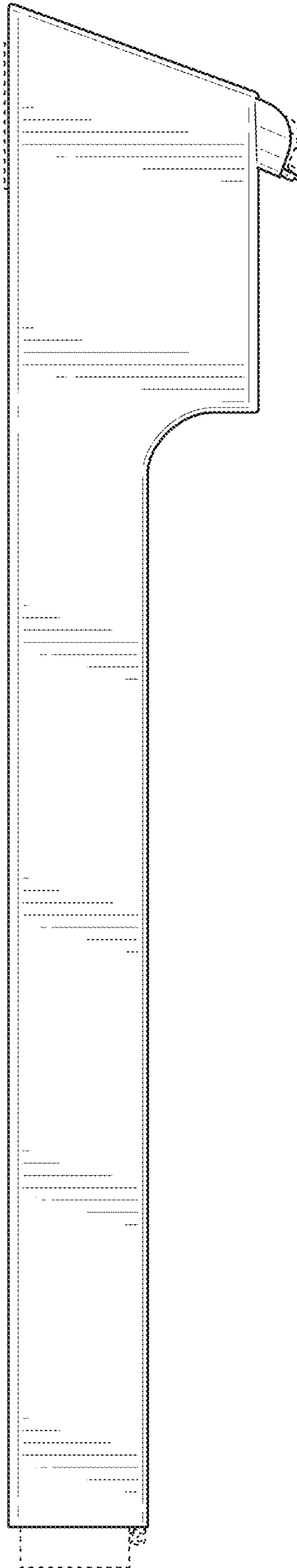
**FIG. 2**



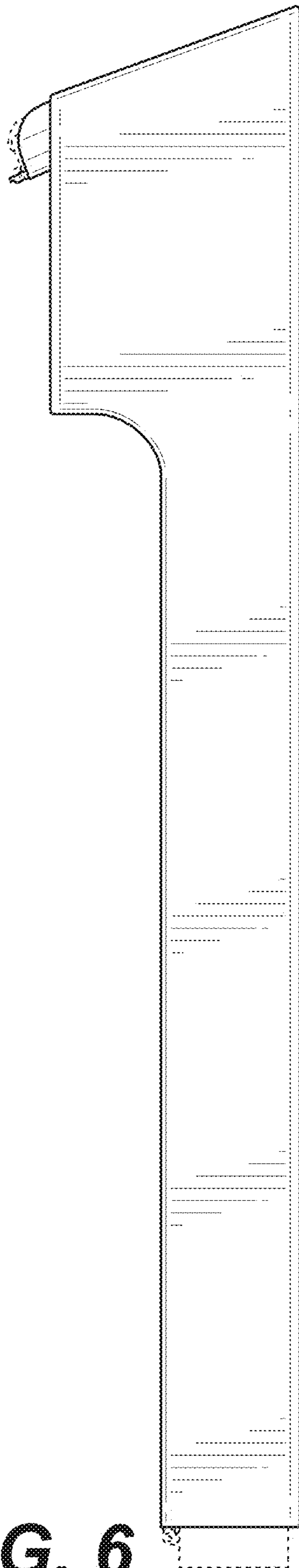
**FIG. 3**



**FIG. 4**

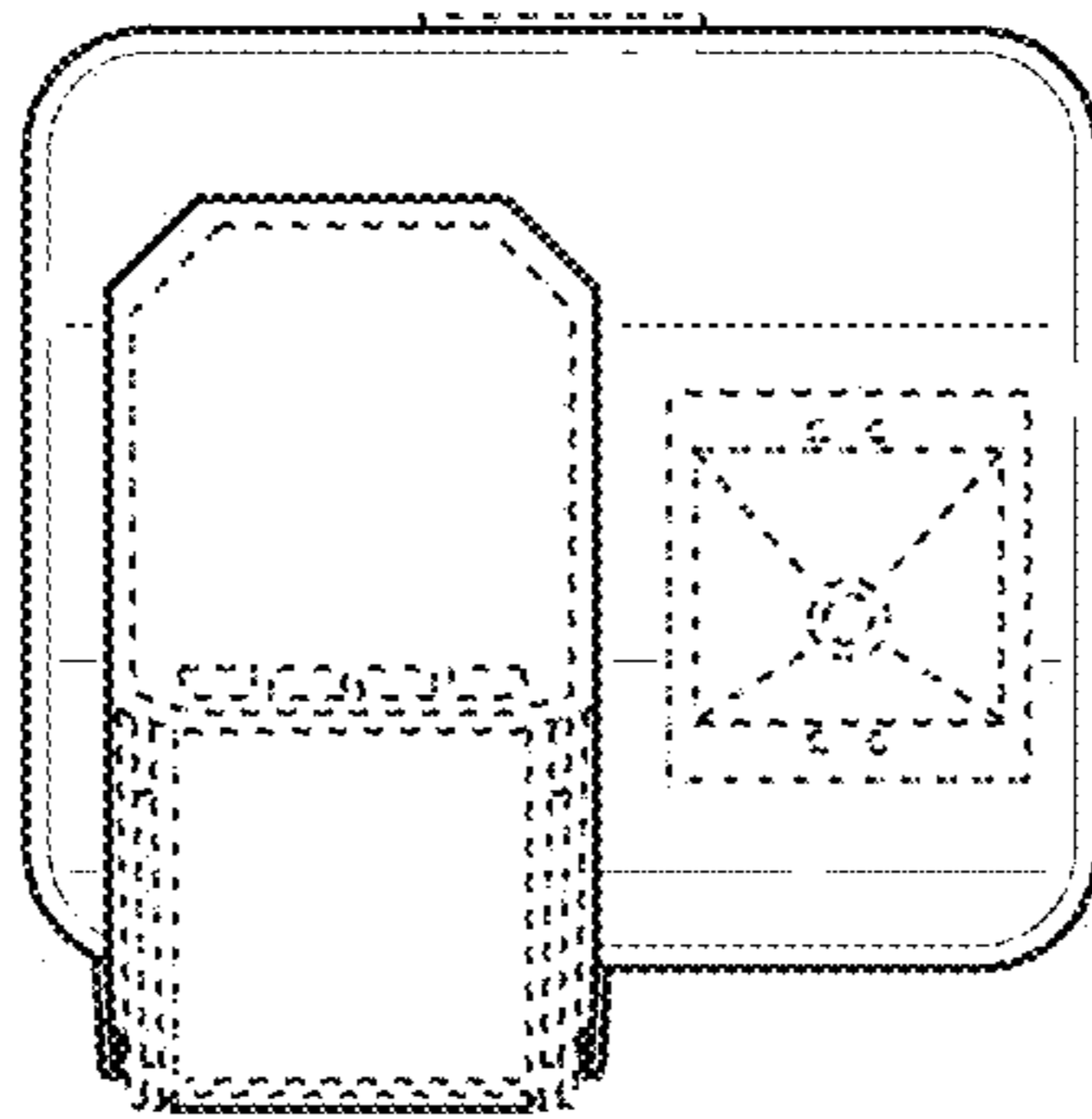


**FIG. 5**

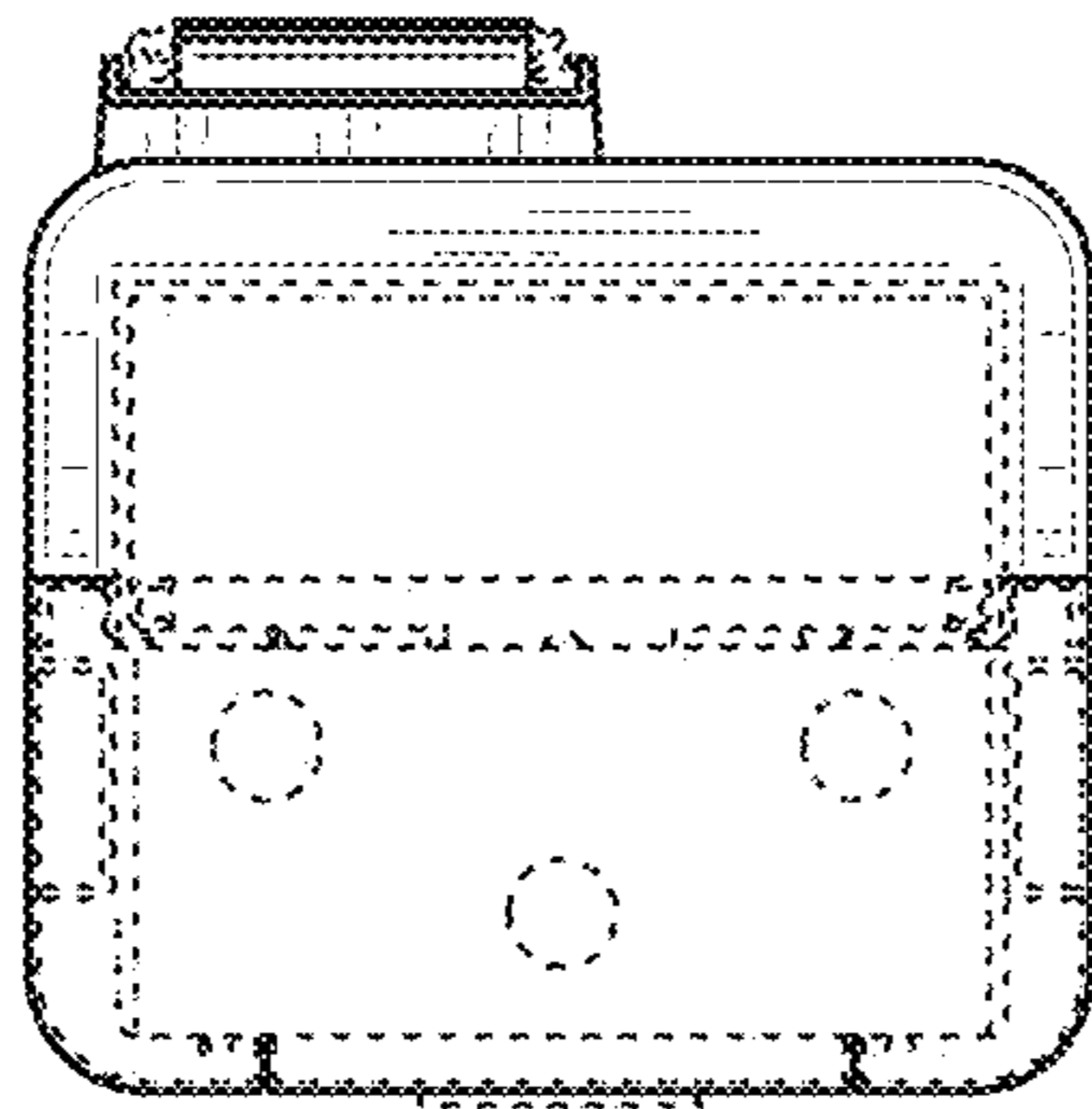


**FIG. 6**

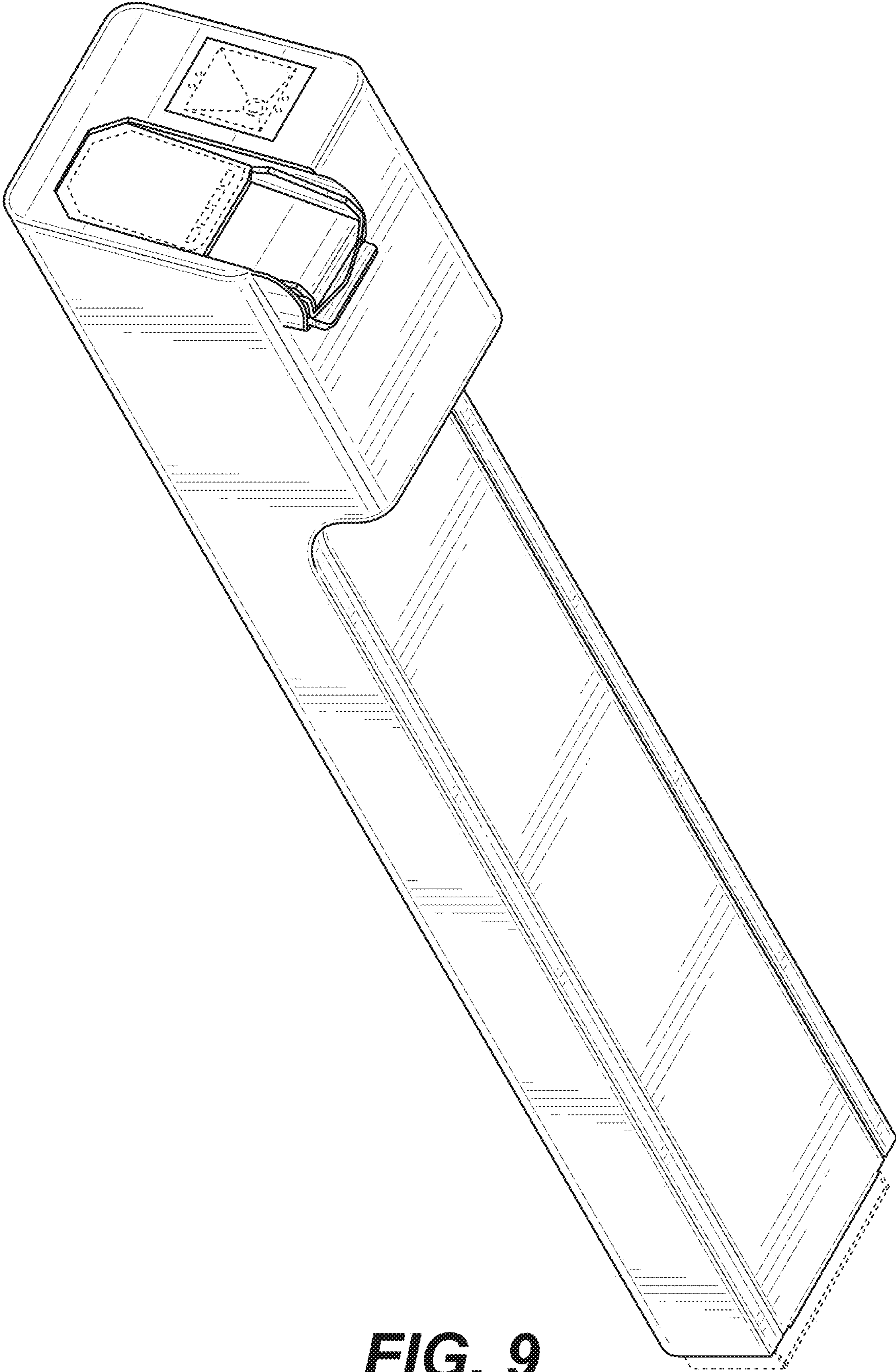




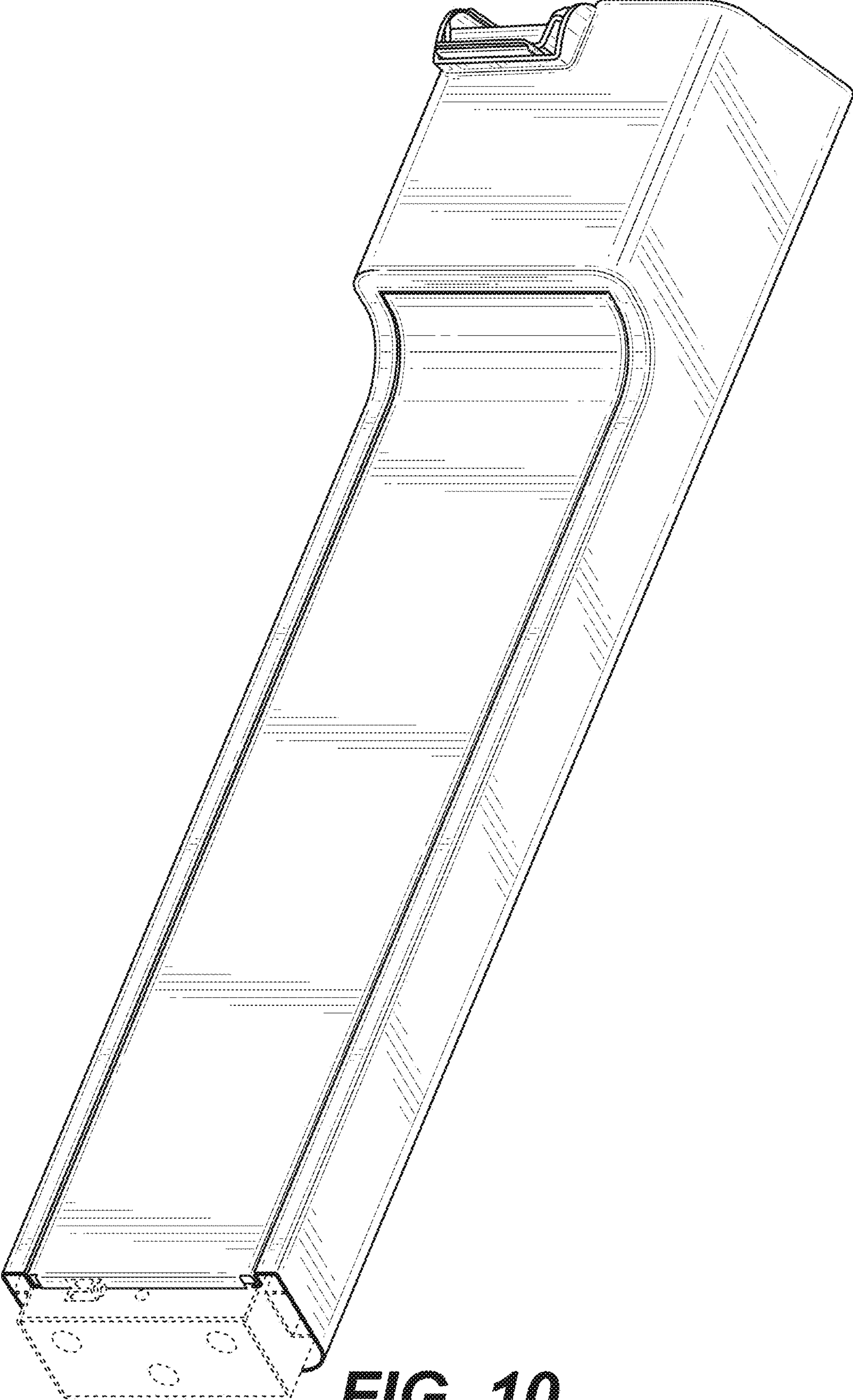
**FIG. 7**



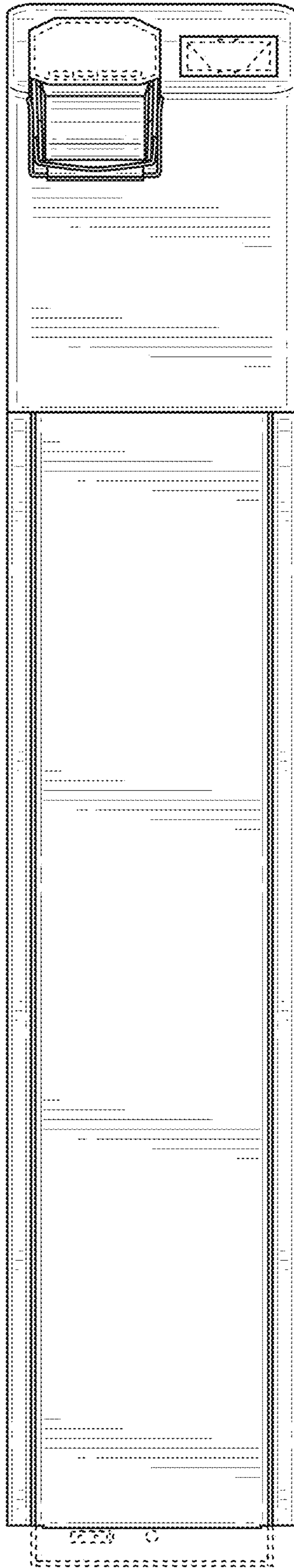
**FIG. 8**



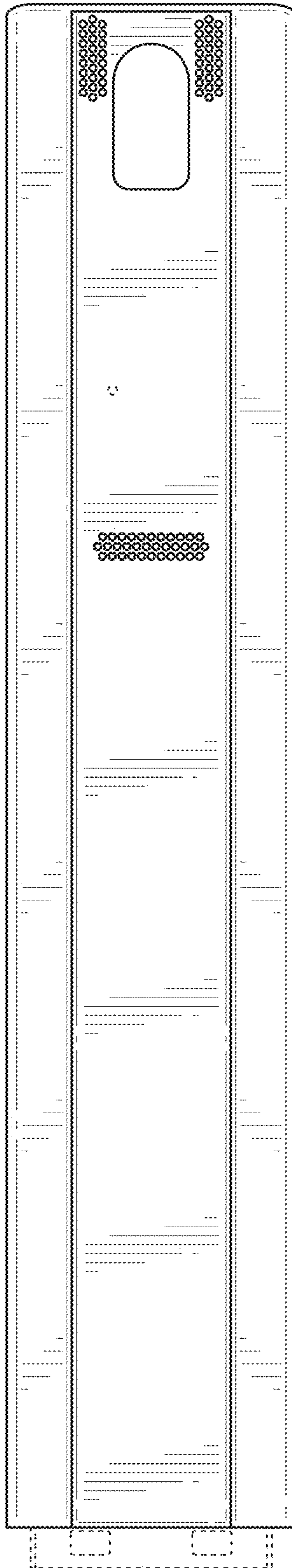
**FIG. 9**



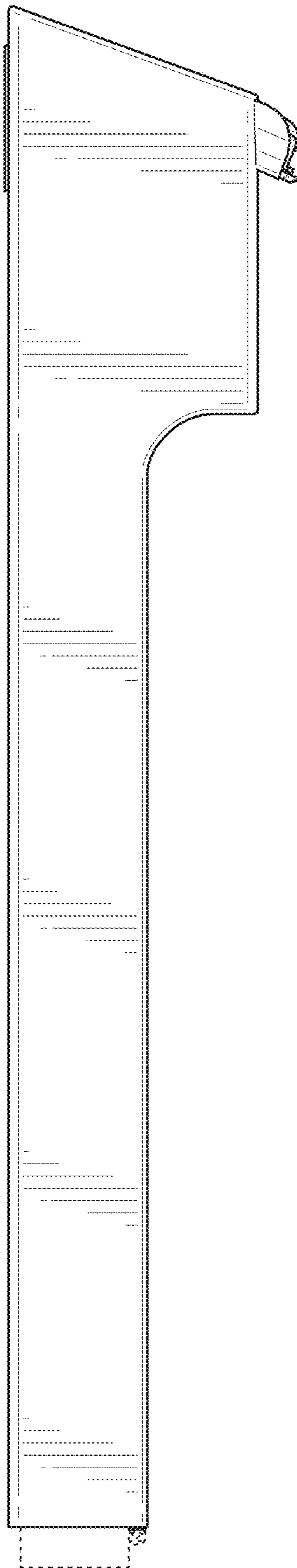
**FIG. 10**



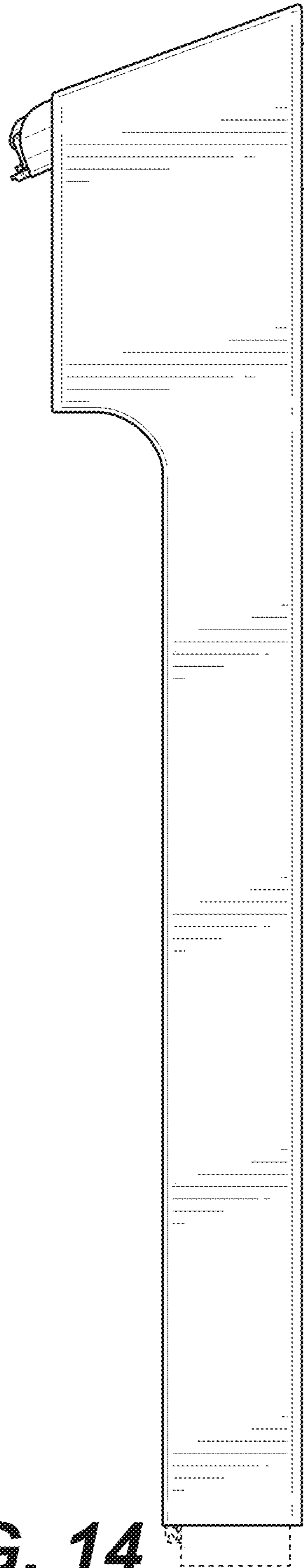
**FIG. 11**



**FIG. 12**

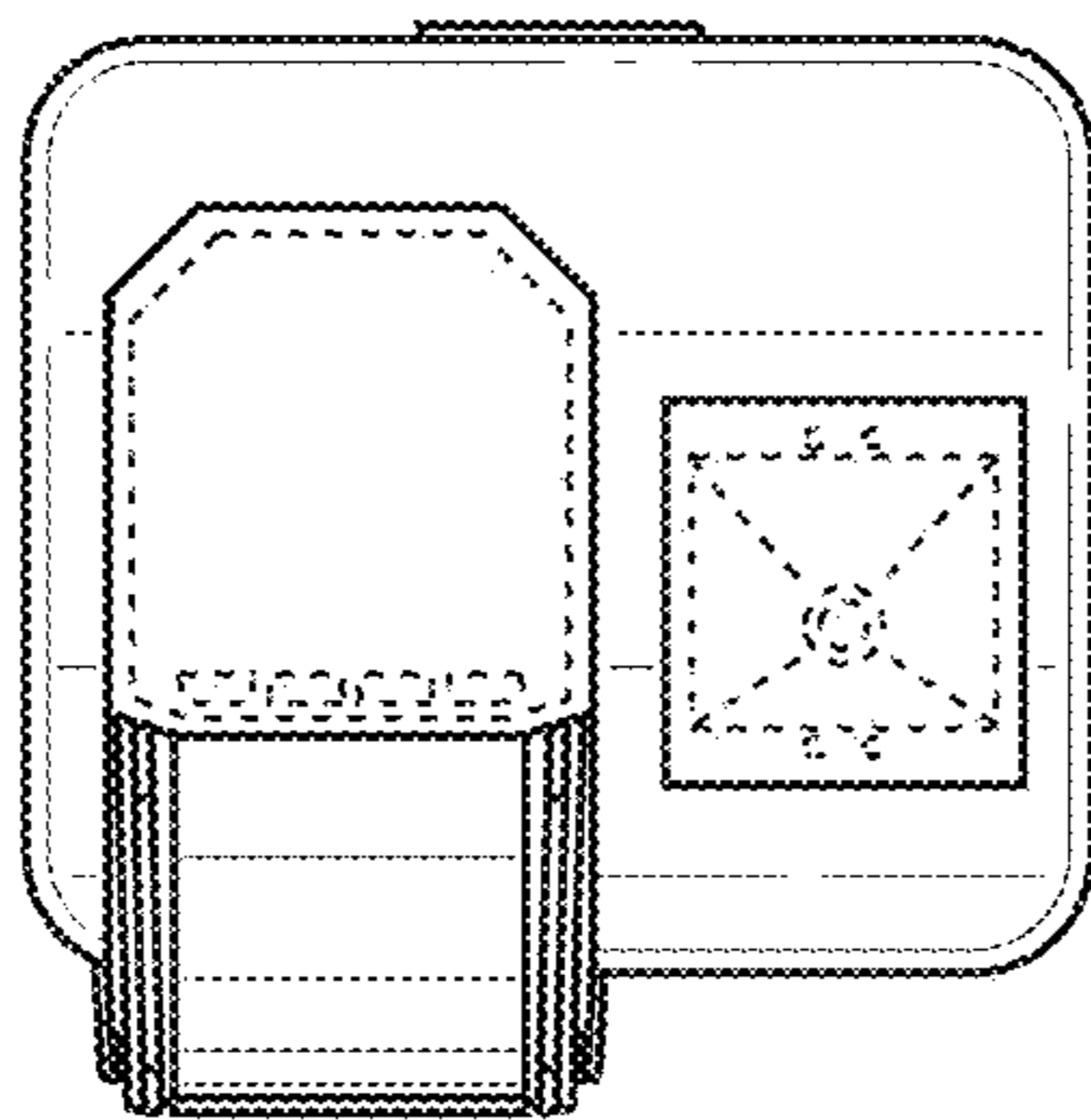


**FIG. 13**

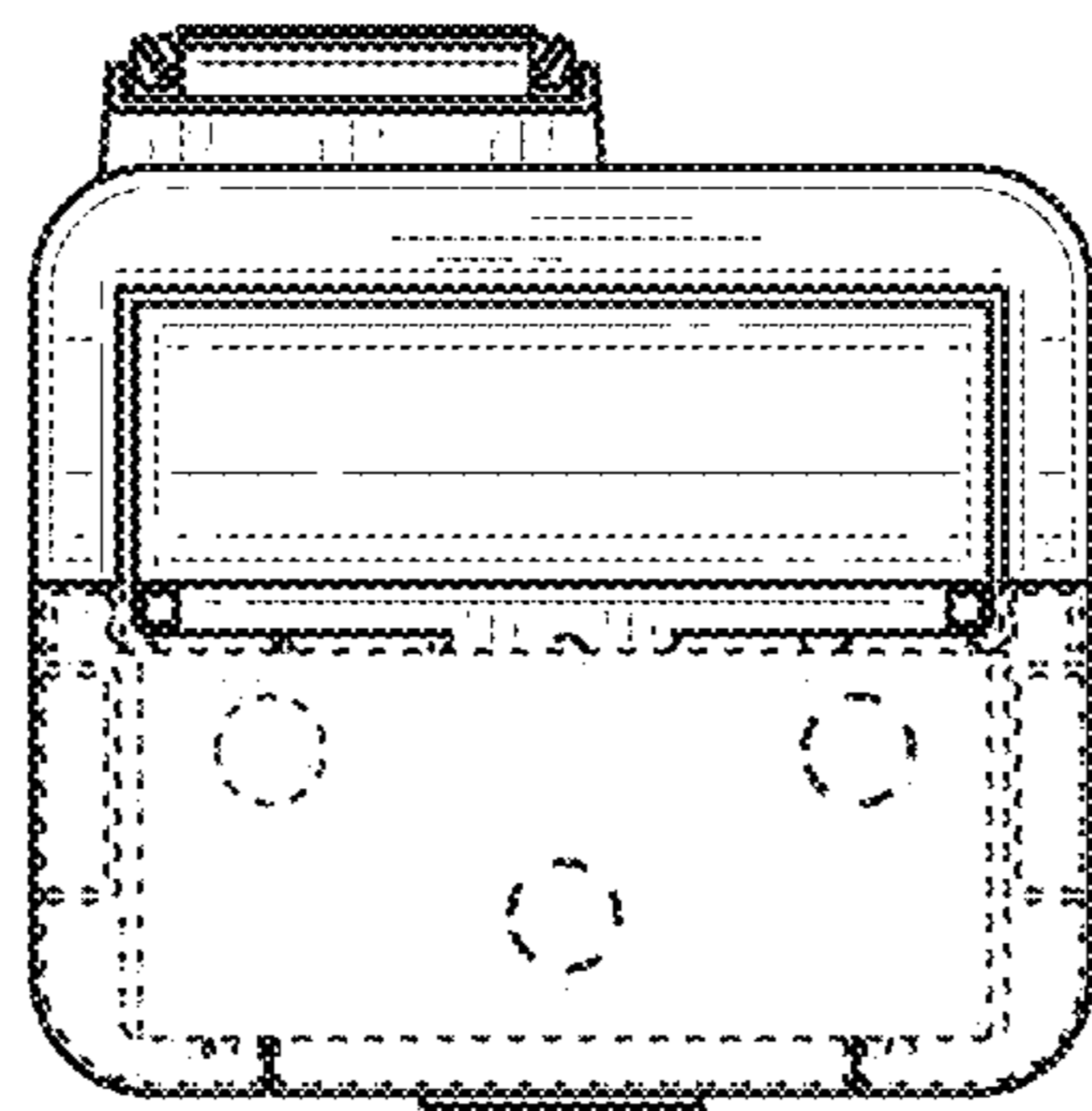


**FIG. 14**





**FIG. 15**



**FIG. 16**