



US00D937265S

(12) **United States Design Patent**
Huang

(10) **Patent No.:** **US D937,265 S**

(45) **Date of Patent:** **** Nov. 30, 2021**

- (54) **STYLUS**
- (71) Applicant: **Fengbo Huang**, Heyuan (CN)
- (72) Inventor: **Fengbo Huang**, Heyuan (CN)
- (**) Term: **15 Years**
- (21) Appl. No.: **29/744,508**
- (22) Filed: **Jul. 29, 2020**
- (51) **LOC (13) Cl.** **14-02**
- (52) **U.S. Cl.**
USPC **D14/411**
- (58) **Field of Classification Search**
USPC D14/372, 496, 432, 371, 125, 126, 129,
D14/299, 411; D16/300-342; 351/158,
351/153, 144; 345/7-9, 905; 455/344;
348/115, 53, 121, 739
CPC G02B 27/017; G06F 3/016; G06F 3/033;
G06F 3/0317; G06F 3/03545; G06F
3/041; G06K 9/222
See application file for complete search history.

(56) **References Cited**

U.S. PATENT DOCUMENTS

- D724,086 S * 3/2015 Schoenert D14/411
- D771,049 S * 11/2016 Akana D14/411

- D773,462 S * 12/2016 Mitchell D14/411
- D832,840 S * 11/2018 Shi D14/411
- D909,377 S * 2/2021 Huang D14/411
- D909,380 S * 2/2021 Liu D14/411
- D915,404 S * 4/2021 Lai D14/411
- D917,483 S * 4/2021 Kang D14/411
- D917,485 S * 4/2021 Huang D14/411
- D918,912 S * 5/2021 Akana D14/411
- D921,632 S * 6/2021 Huang D14/411

* cited by examiner

Primary Examiner — Austin Murphy

(74) *Attorney, Agent, or Firm* — W&KIP

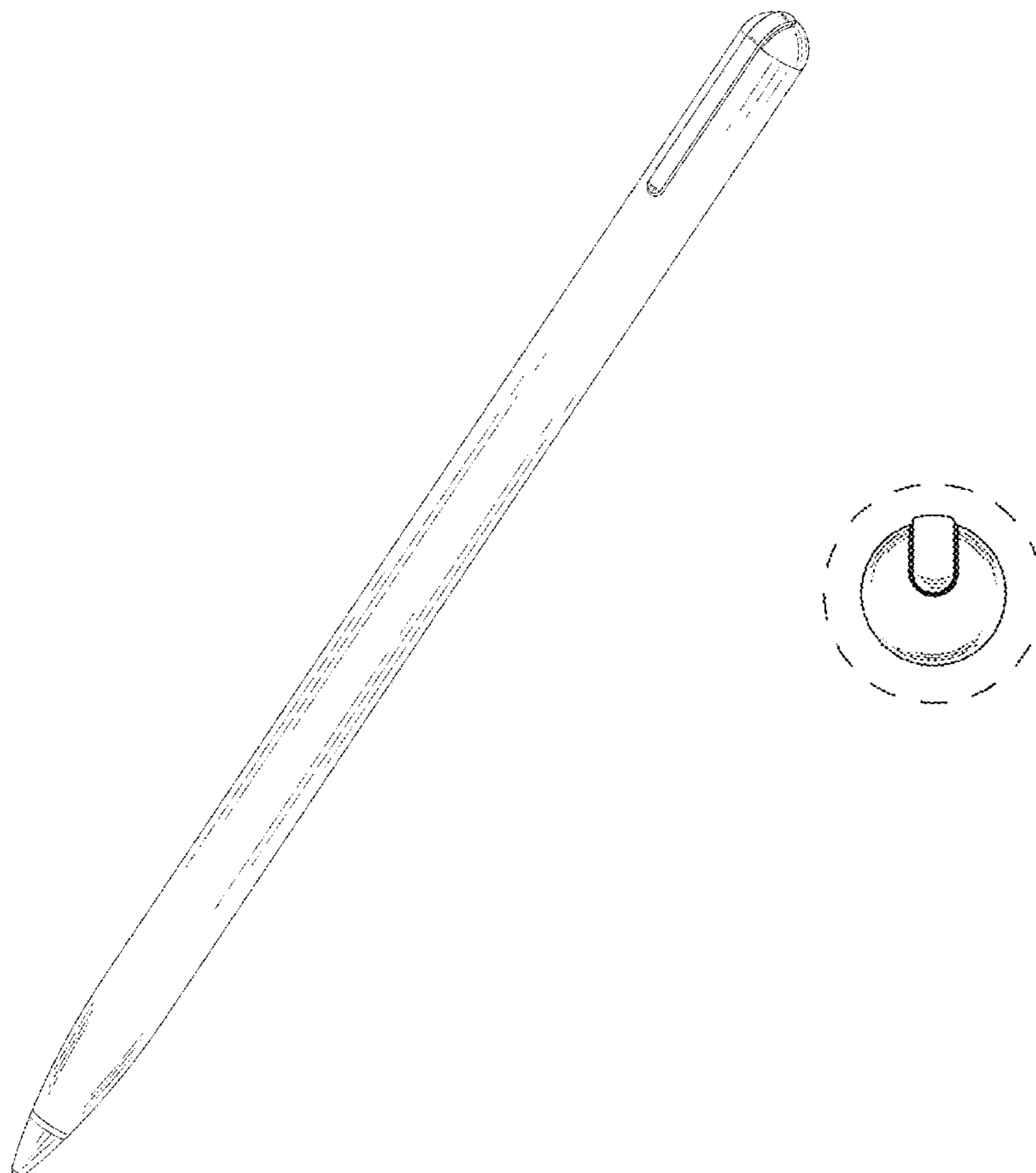
(57) **CLAIM**

The ornamental design for a stylus, as shown and described.

DESCRIPTION

FIG. 1 is a perspective view of a stylus showing my new design;
 FIG. 2 is another perspective view thereof;
 FIG. 3 is a front view thereof;
 FIG. 4 is a rear view thereof;
 FIG. 5 is a left side view thereof;
 FIG. 6 is a right side view thereof;
 FIG. 7 is a top plan view thereof;
 FIG. 8 is a bottom plan view thereof; and,
 FIG. 9 is an enlarged top plan view thereof.

1 Claim, 9 Drawing Sheets



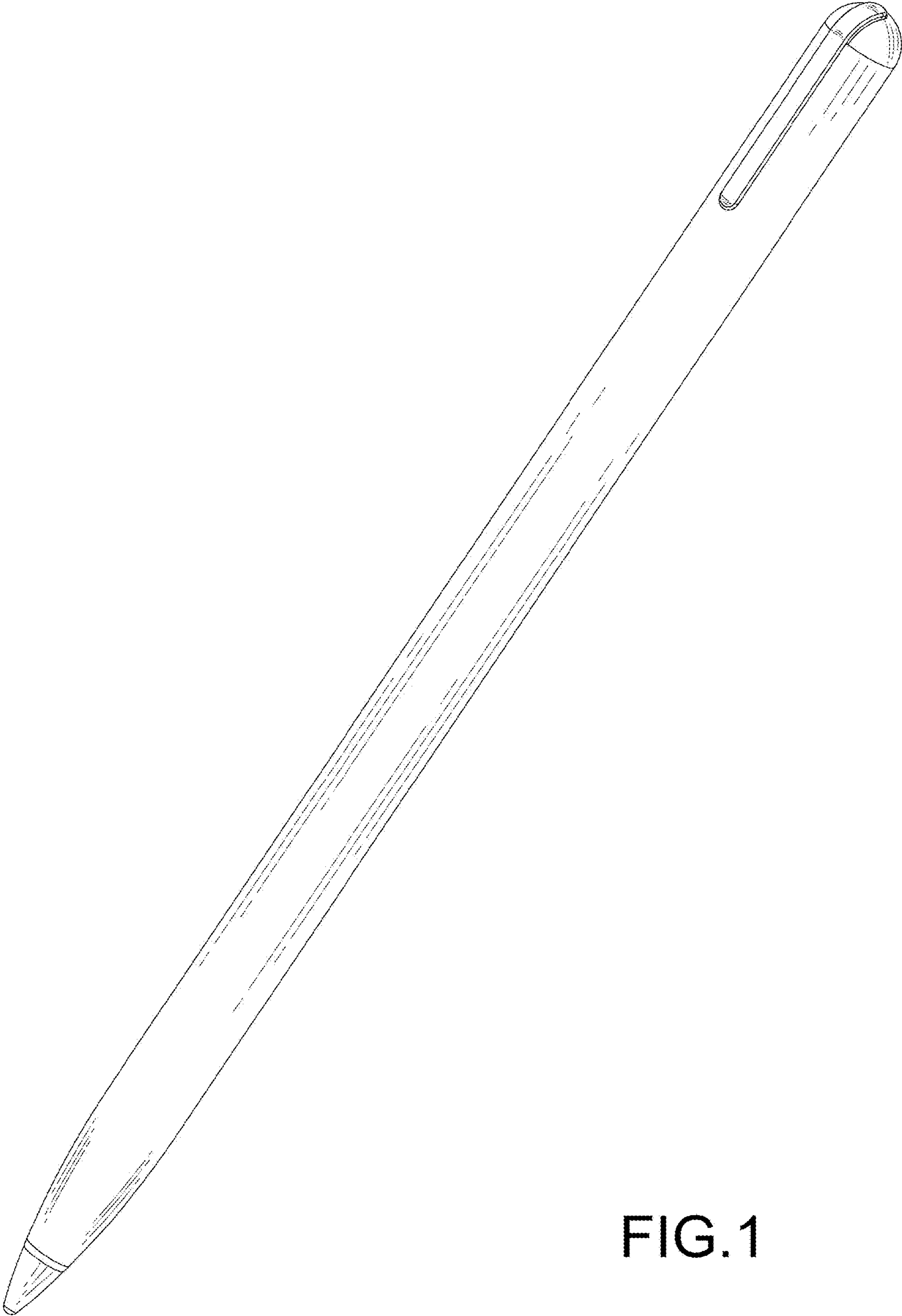


FIG. 1

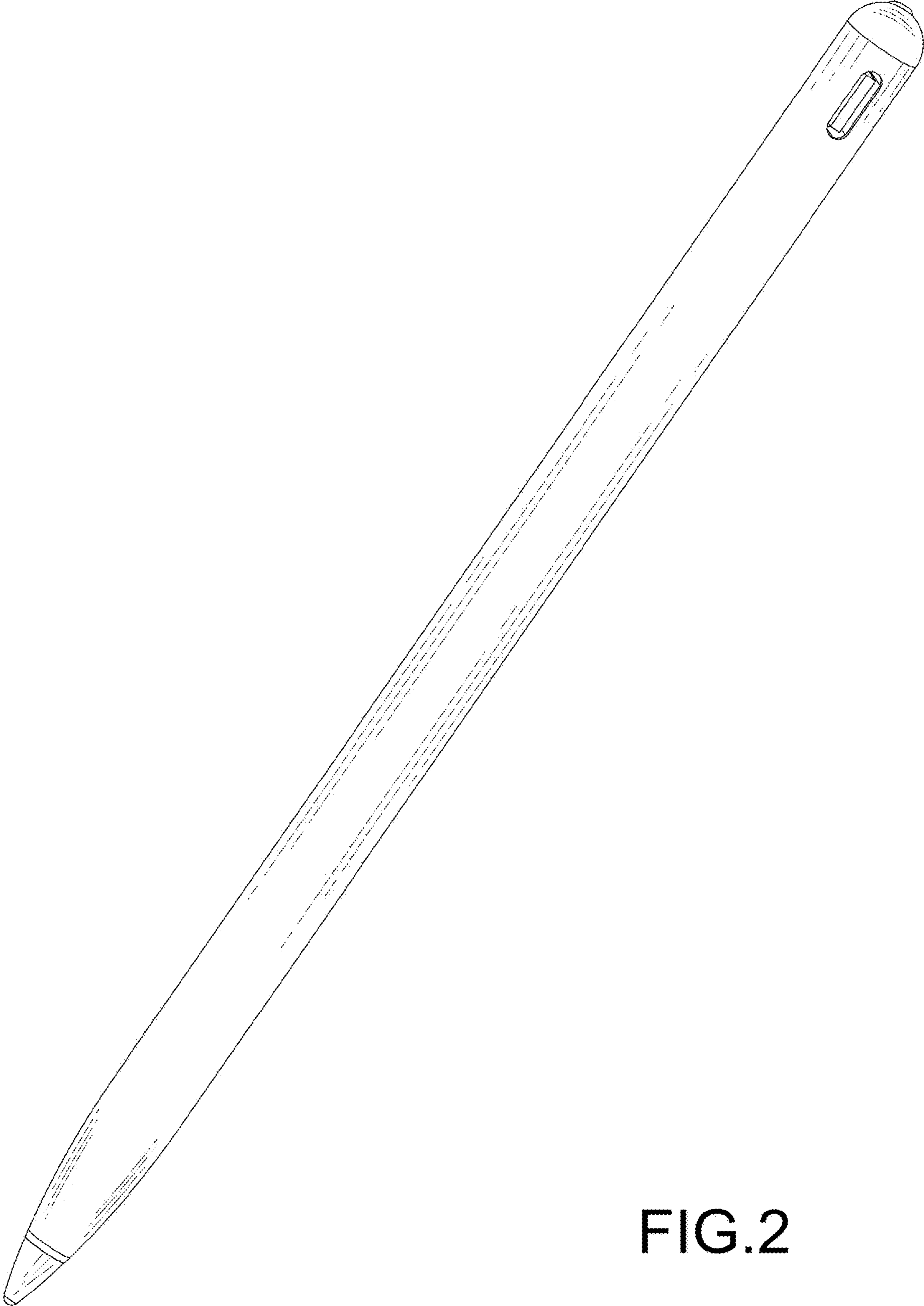


FIG.2

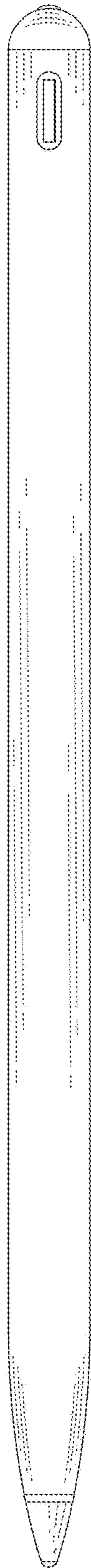


FIG.3

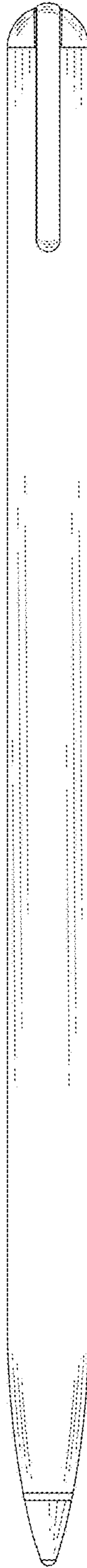


FIG.4

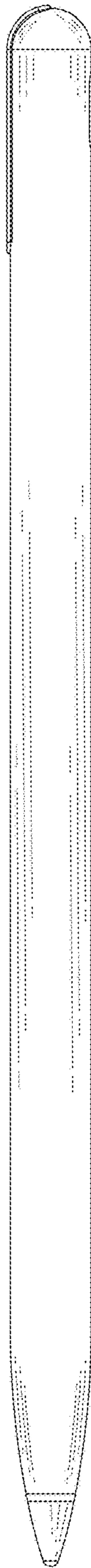


FIG.5

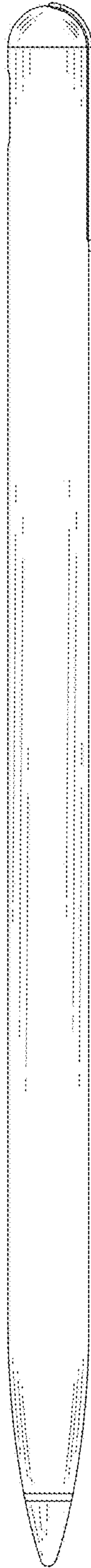


FIG.6

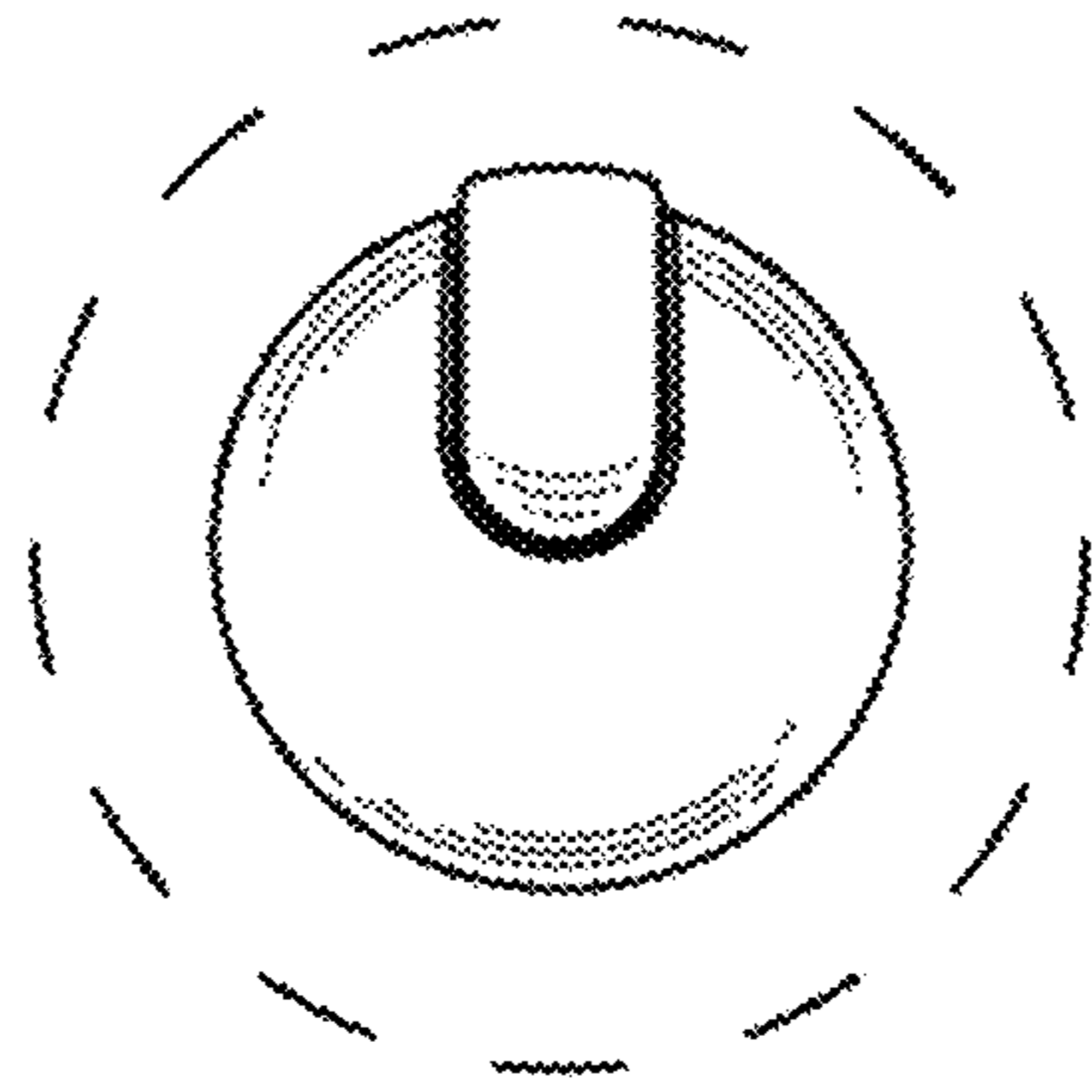


FIG. 7

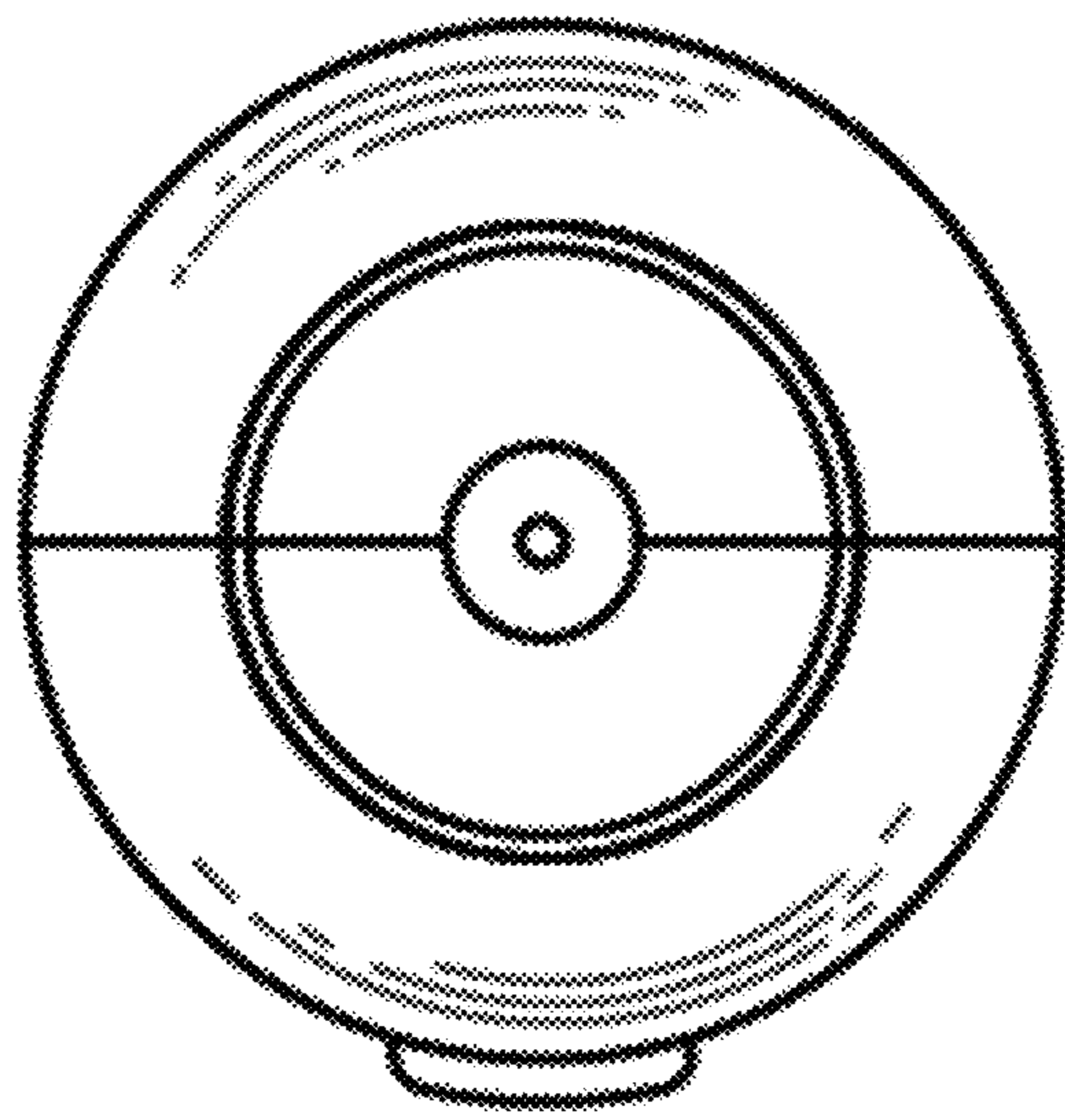


FIG.8

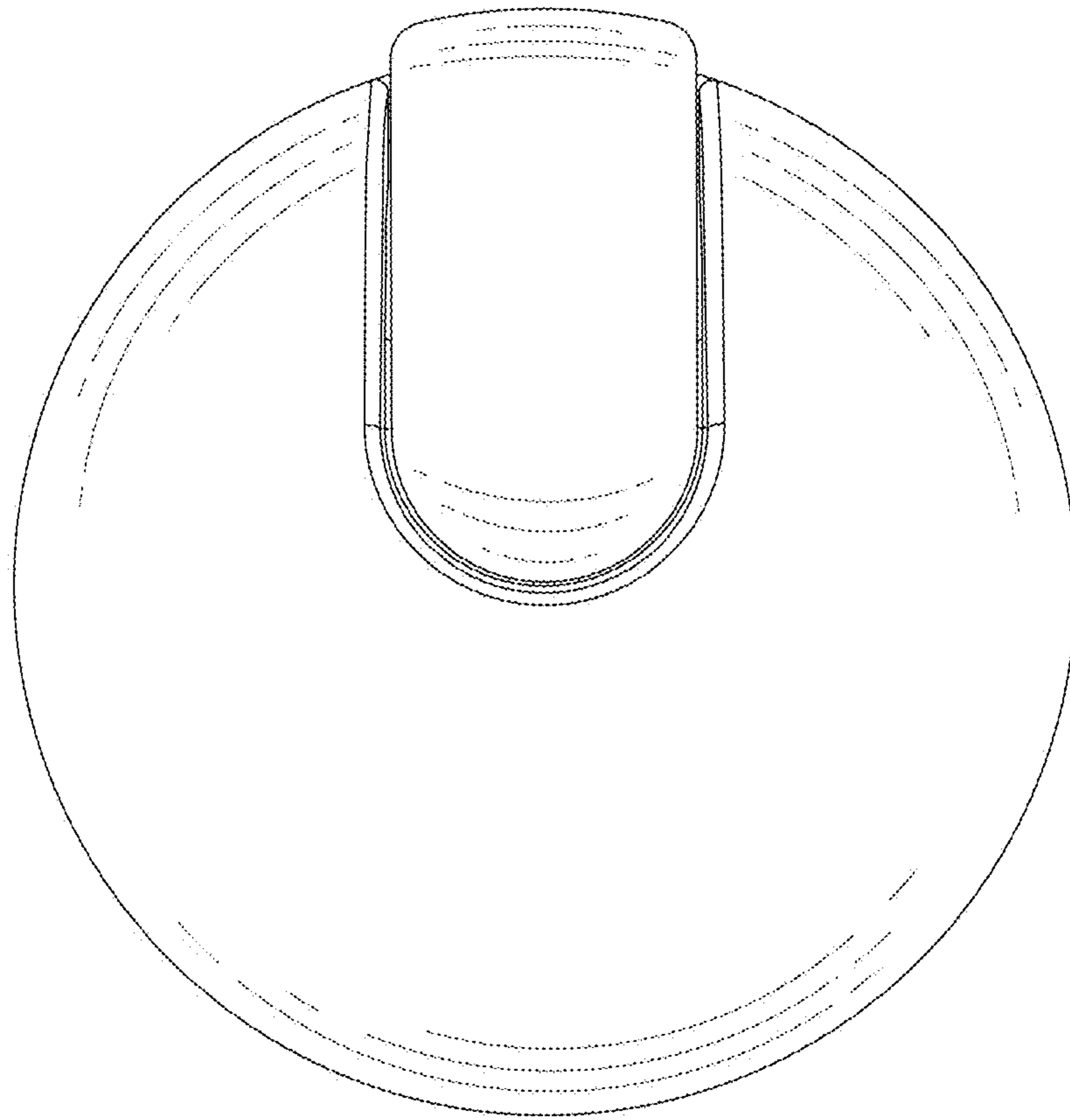


FIG.9