



US00D937263S

(12) **United States Design Patent** (10) **Patent No.:** **US D937,263 S**
Kim et al. (45) **Date of Patent:** **** Nov. 30, 2021**

(54) **COMPUTER MONITOR**
(71) Applicant: **LG ELECTRONICS INC., Seoul (KR)**
(72) Inventors: **Yongsoo Kim, Seoul (KR); Daihyung Ryu, Seoul (KR)**
(73) Assignee: **LG ELECTRONICS INC., Seoul (KR)**
(**) Term: **15 Years**

D732,029 S * 6/2015 Huh D14/374
D747,717 S * 1/2016 Kim D14/371
D763,255 S * 8/2016 Lee D14/371
D797,736 S * 9/2017 Chu D14/374
D817,329 S * 5/2018 Chu D14/374
D819,029 S * 5/2018 Seo D14/374
D827,644 S * 9/2018 Kim D14/377
D835,096 S * 12/2018 Woo D14/336
D836,110 S * 12/2018 Quijano D14/374
D854,009 S * 7/2019 Moon D14/336
D854,540 S * 7/2019 Kim D14/336
D869,414 S * 12/2019 Kim D14/126

(Continued)

(21) Appl. No.: **35/509,849**
(22) Filed: **Jan. 22, 2020**
(80) **Hague Agreement Data**
Int. Filing Date: **Jan. 22, 2020**
Int. Reg. No.: **DM/205928**
Int. Reg. Date: **Jan. 22, 2020**
Int. Reg. Pub. Date: **Jul. 24, 2020**

OTHER PUBLICATIONS

Review: 23.7-inch LG UltraFine Display, publication date May 24, 2019, [online] URL: <https://9to5mac.com/2019/05/24/lg-ultrafine-display-review-2019-two-thunderbolt-3-ports-video/> (Year: 2019).*

Primary Examiner — L. A. Grabenstetter
(74) *Attorney, Agent, or Firm* — Birch, Stewart, Kolasch & Birch, LLP

(30) **Foreign Application Priority Data**
Aug. 23, 2019 (KR) 30-2019-0040432
(51) **LOC (13) Cl.** **14-02**
(52) **U.S. Cl.**
USPC **D14/374**
(58) **Field of Classification Search**
USPC D14/125–129, 132, 239, 336, 341,
D14/373–377, 380, 451; D24/185, 186
CPC G06F 1/1601; G06F 1/1605; G06F 1/162
See application file for complete search history.

(57) **CLAIM**

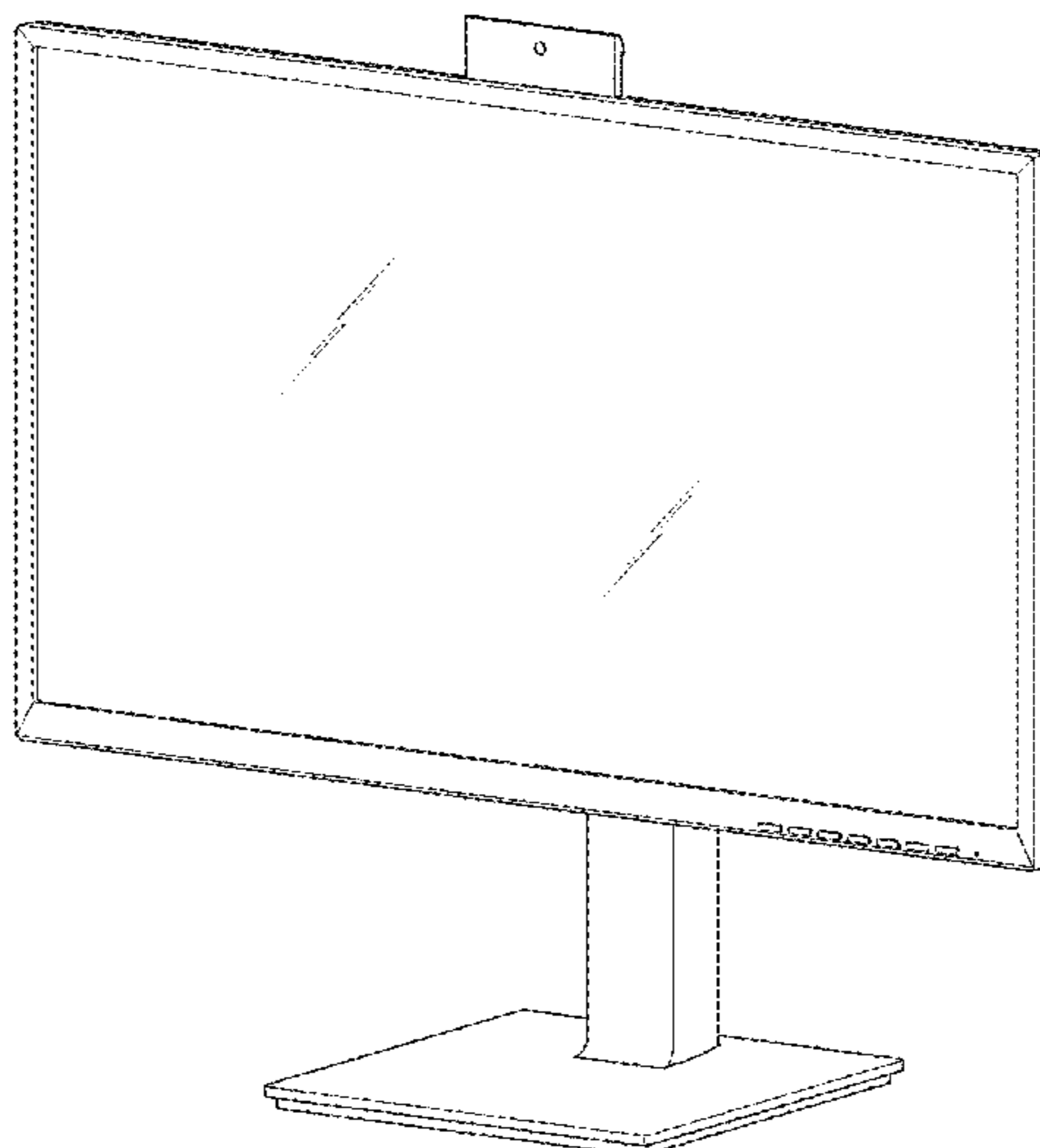
The ornamental design for a computer monitor, as shown and described.

DESCRIPTION

1. Computer monitor
1.1 : Front perspective view
1.2 : Rear perspective view
1.3 : Front
1.4 : Back
1.5 : Left
1.6 : Right
1.7 : Top
1.8 : Bottom
1.9 : Second front perspective view, shown in an alternate configuration
The parts shown by means of broken lines in the reproductions are not part of the claimed design.

(56) **References Cited**
U.S. PATENT DOCUMENTS
D631,042 S * 1/2011 Chen D14/337
D669,077 S * 10/2012 McManigal D14/374
D712,397 S * 9/2014 Akana D14/336
D726,717 S * 4/2015 Lee D14/371
D727,893 S * 4/2015 Lee D14/336

1 Claim, 9 Drawing Sheets



(56)

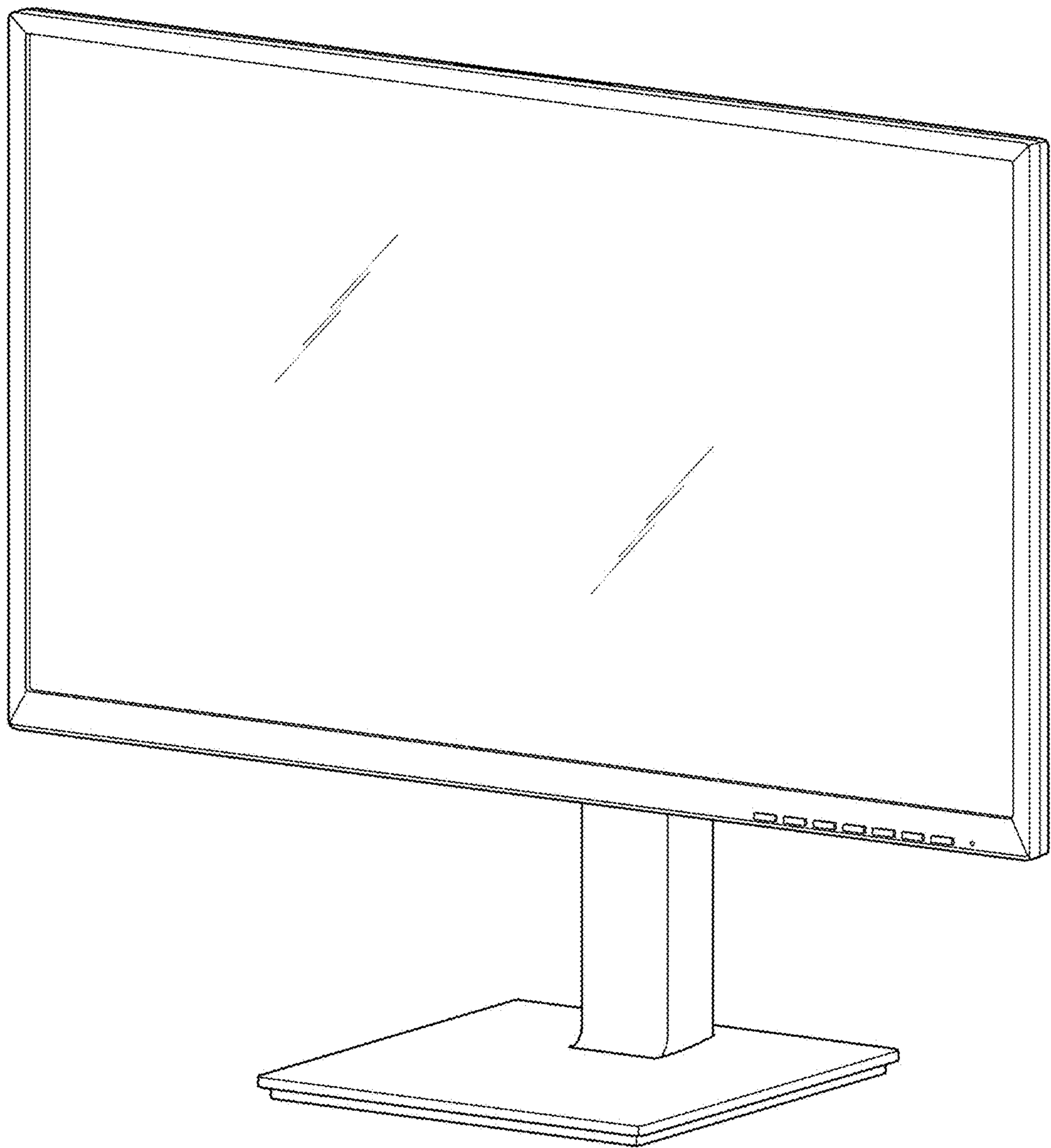
References Cited

U.S. PATENT DOCUMENTS

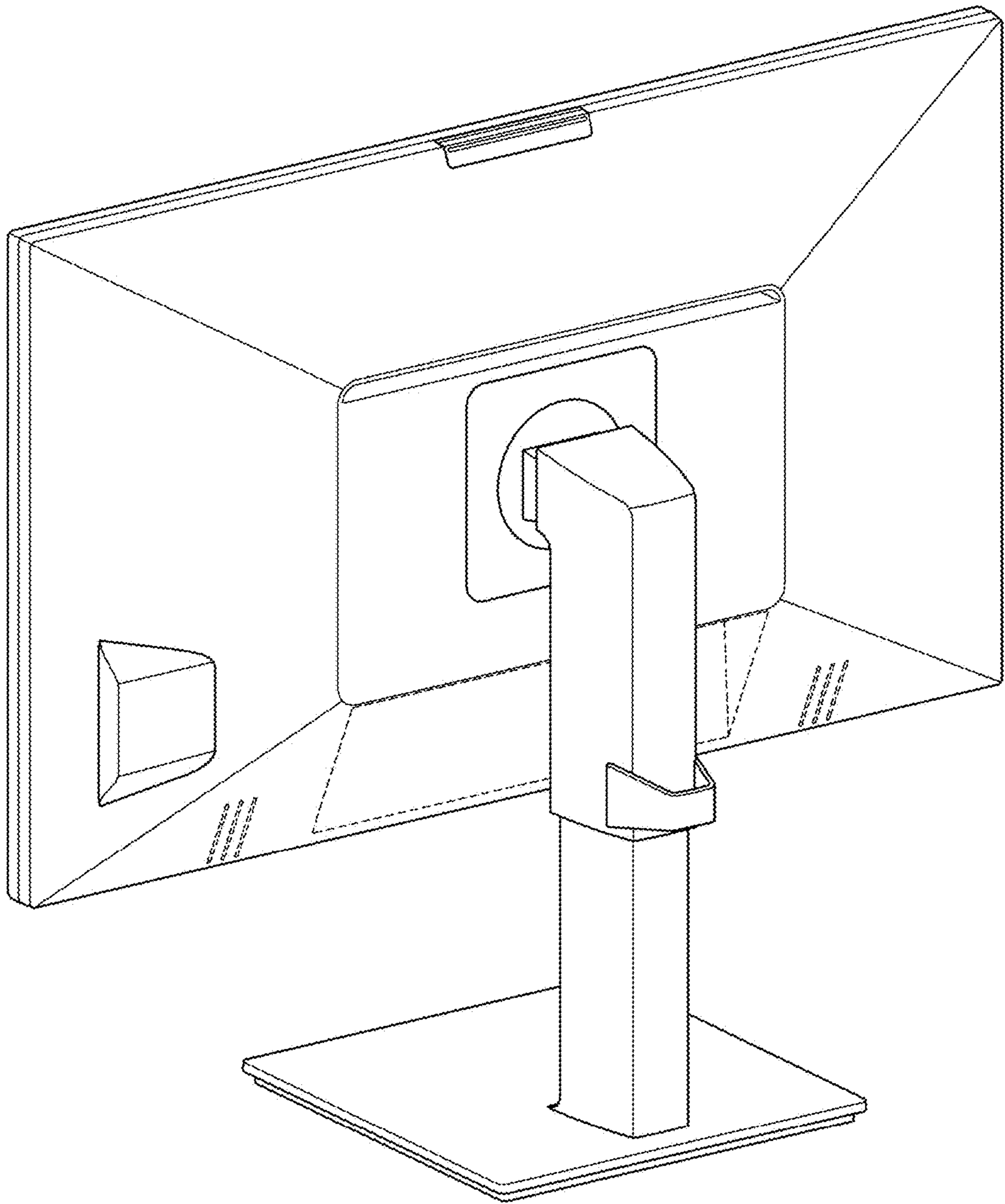
D871,395 S * 12/2019 Yang D14/336
D888,679 S * 6/2020 Kim D14/126
2016/0291387 A1* 10/2016 Asanuma G02F 1/133308

* cited by examiner

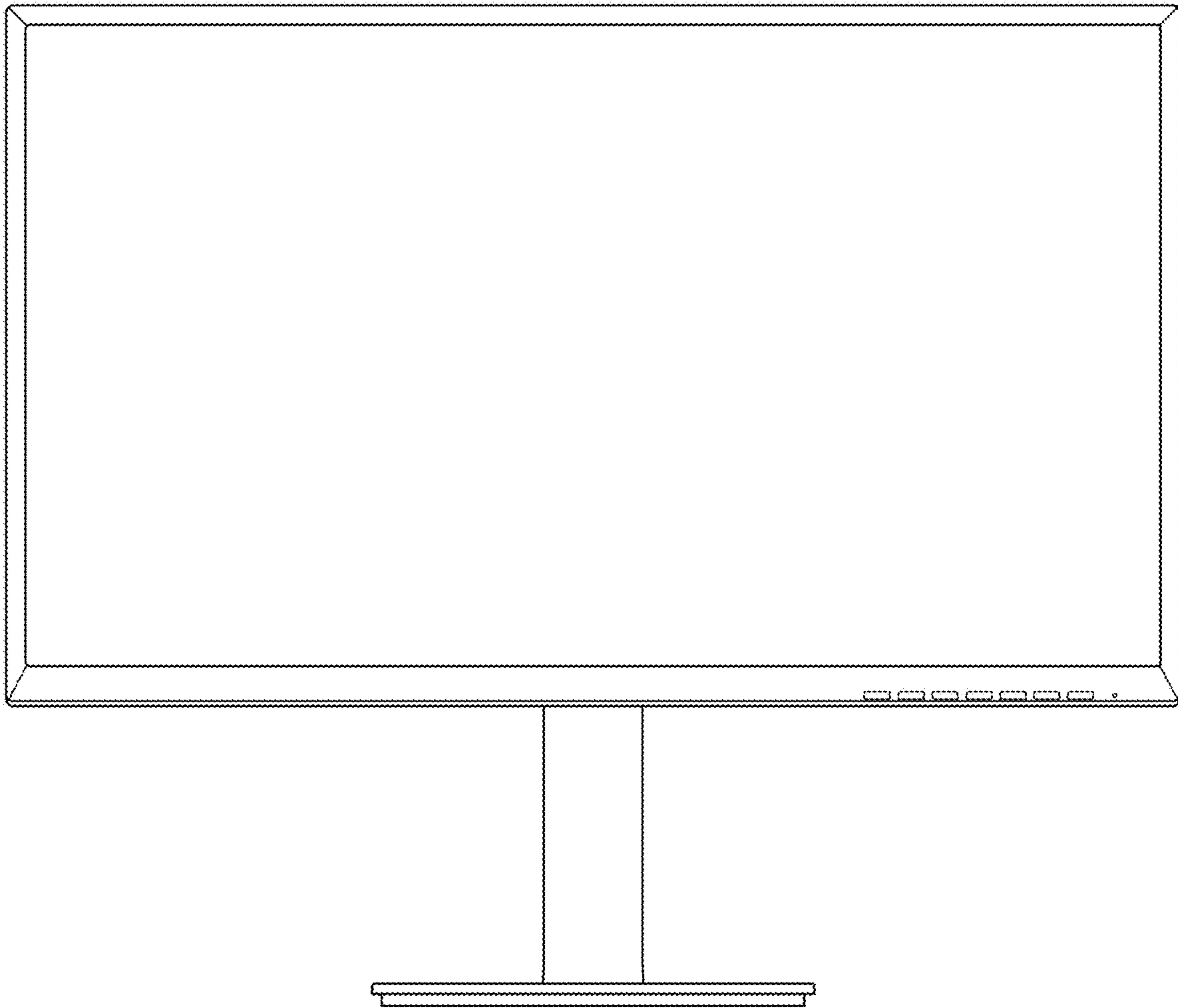
1.1



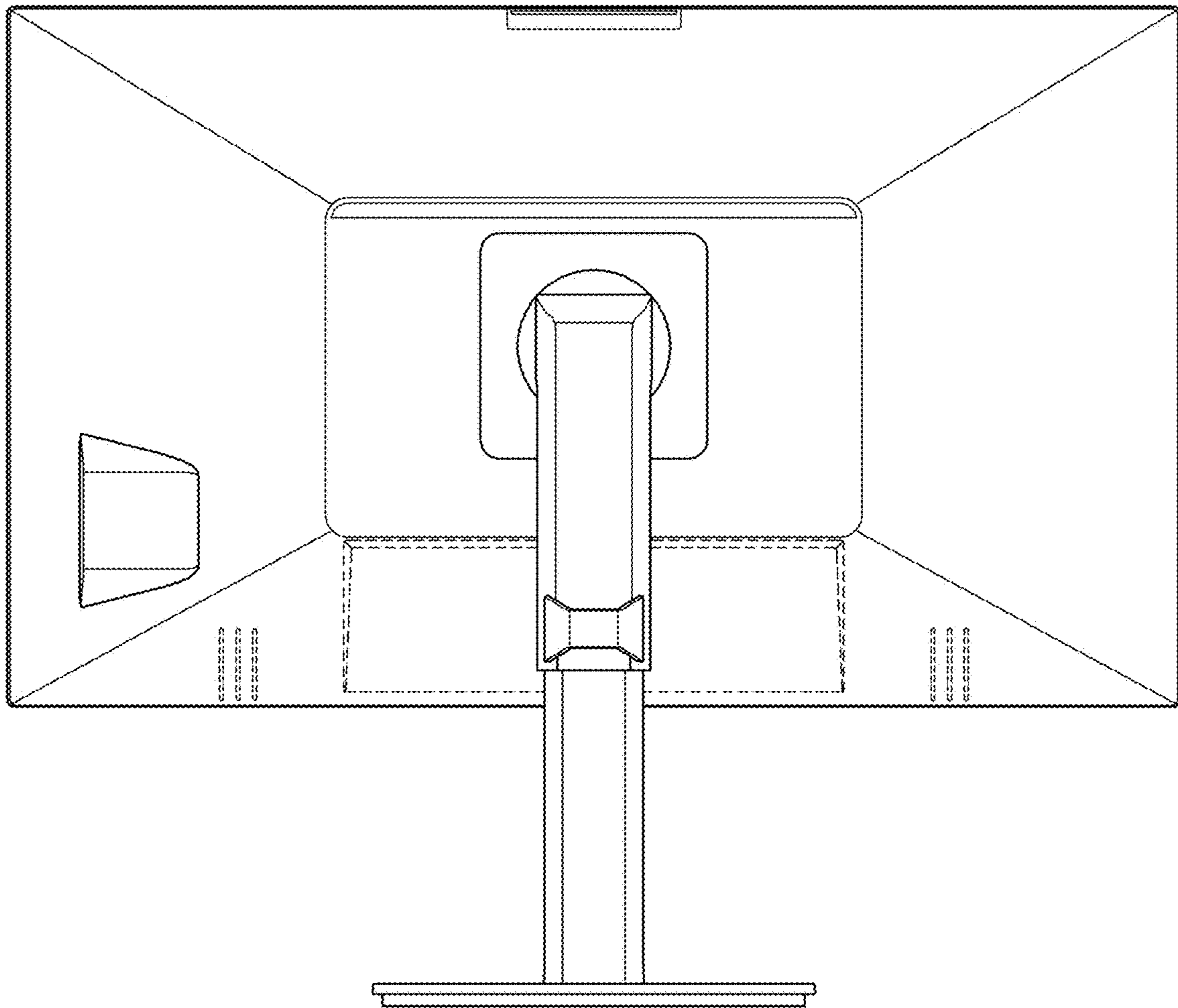
1.2



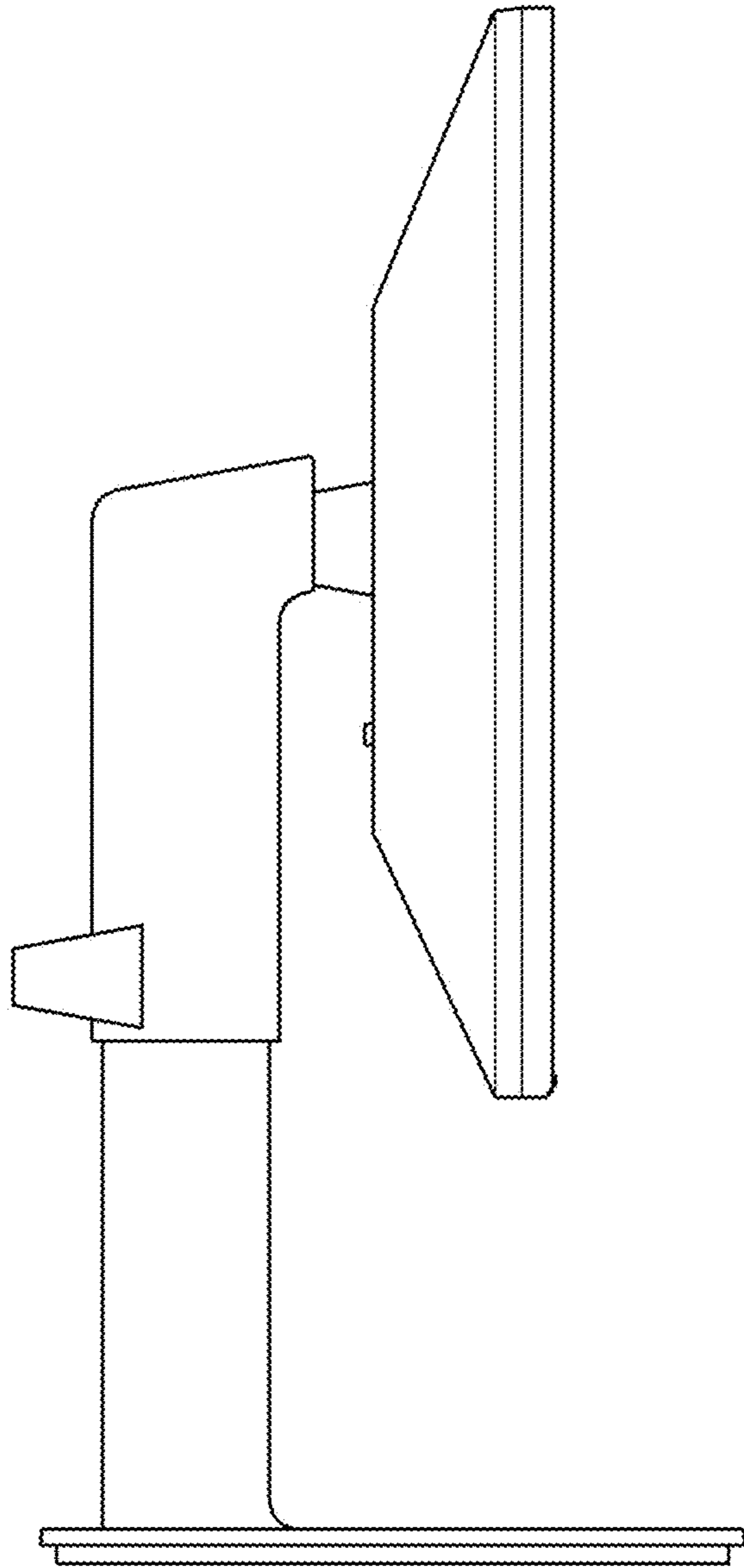
1.3



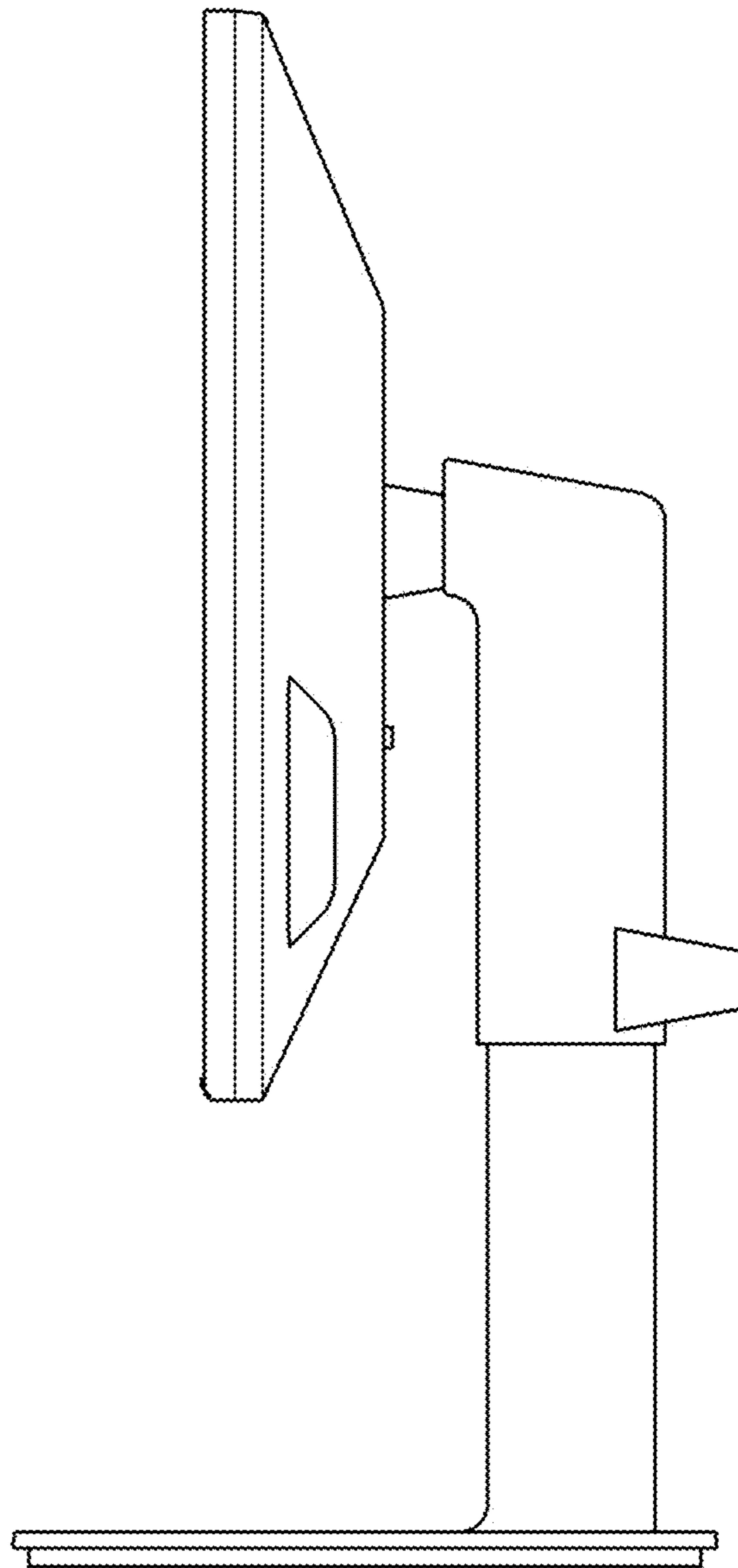
1.4



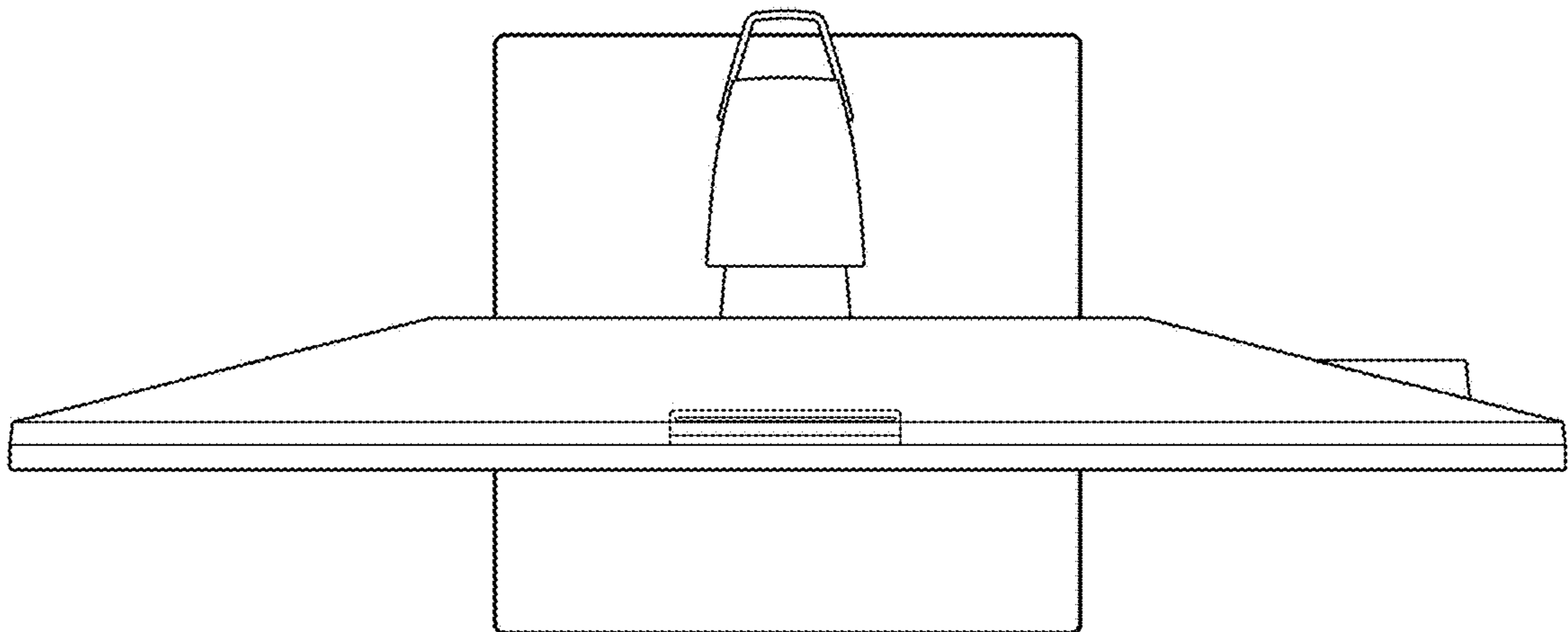
1.5



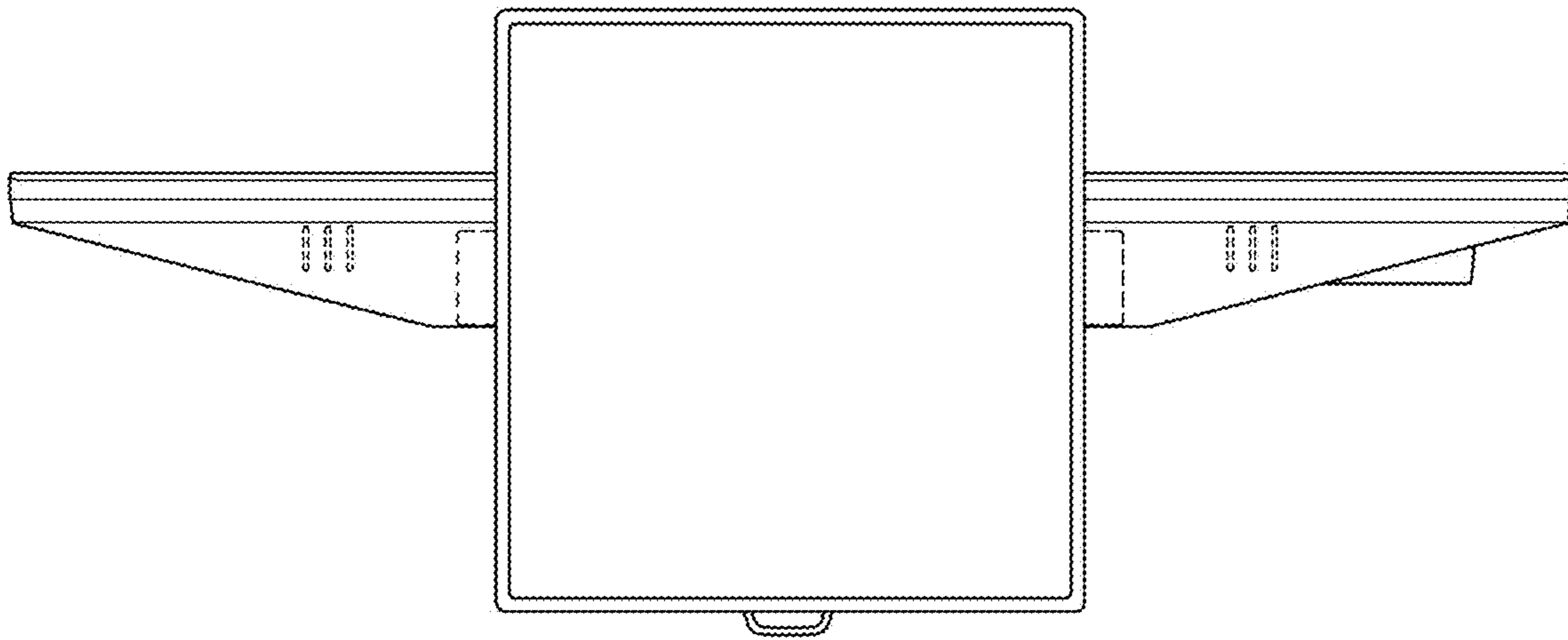
1.6



1.7



1.8



1.9

