



US00D937260S

(12) **United States Design Patent** (10) **Patent No.:** **US D937,260 S**  
**Kuwano** (45) **Date of Patent:** **\*\* Nov. 30, 2021**

(54) **WIRELESS COMMUNICATION DEVICE**

D626,951 S 11/2010 Ding  
D789,360 S 6/2017 Moon et al.  
D794,019 S 8/2017 Kusano et al.  
(Continued)

(71) Applicant: **Patlite Corporation**, Osaka (JP)

(72) Inventor: **Koichi Kuwano**, Osaka (JP)

**FOREIGN PATENT DOCUMENTS**

(73) Assignee: **PATLITE CORPORATION**, Osaka (JP)

EM 001161517-0001 9/2009  
JP D1292844 S 2/2007  
(Continued)

(\*\*) Term: **15 Years**

(21) Appl. No.: **29/727,210**

**OTHER PUBLICATIONS**

(22) Filed: **Mar. 9, 2020**

Patlite, Wireless Data Acquisition System WD-Z2 Series \_ WD PRO Series; retrieved on Sep. 15, 2021; 3 pgs.; [https://www.patlite.com/support/pdf/O-AJ02\\_WDR\\_PRO\\_en\\_web0512.pdf](https://www.patlite.com/support/pdf/O-AJ02_WDR_PRO_en_web0512.pdf).  
(Continued)

(30) **Foreign Application Priority Data**

Oct. 31, 2019 (JP) ..... 2019-024414

(51) **LOC (13) Cl.** ..... **14-02**

(52) **U.S. Cl.**  
USPC ..... **D14/358**

(58) **Field of Classification Search**  
USPC ..... D13/162, 168, 184; D14/155, 185, 240, D14/358  
CPC ... H04Q 9/00; H04B 1/02; H04B 1/03; H04B 1/06; H04B 1/08; H05K 5/0017; H04W 88/08; H04W 88/085; H04W 88/10; H04W 88/12; H04W 88/16; G08C 23/04  
See application file for complete search history.

*Primary Examiner* — Selina Sikder  
(74) *Attorney, Agent, or Firm* — Norton Rose Fulbright US LLP

(57) **CLAIM**

The ornamental design for a wireless communication device, as shown and described.

**DESCRIPTION**

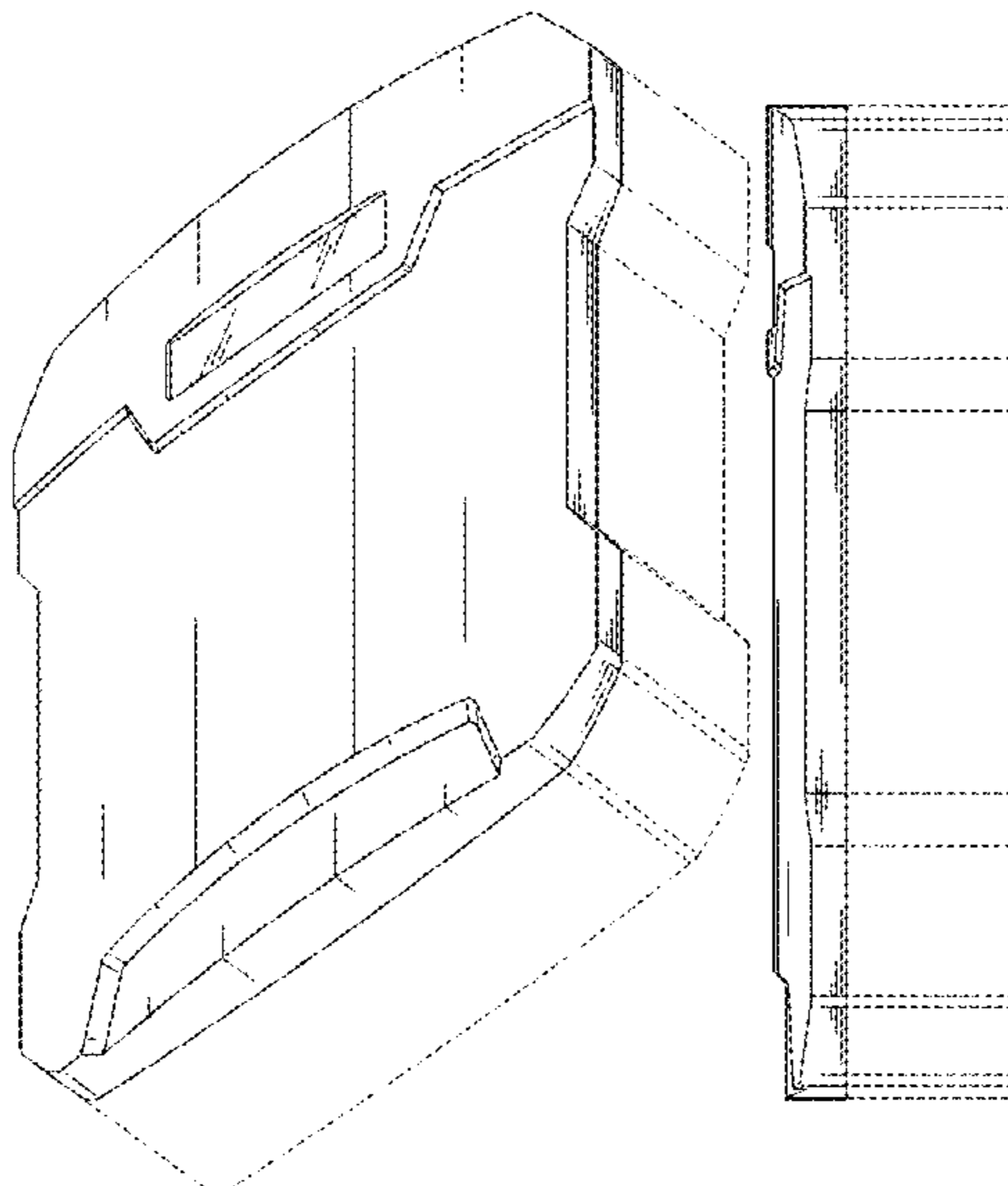
FIG. 1 is a perspective view of a wireless communication device according to my new design taken from the front, right side and bottom thereof;  
FIG. 2 is a perspective view taken from the rear, left side and top thereof;  
FIG. 3 is a front elevational view thereof;  
FIG. 4 is a rear elevational view thereof;  
FIG. 5 is a left side elevational view thereof;  
FIG. 6 is a right side elevational view thereof;  
FIG. 7 is a top plan view thereof; and,  
FIG. 8 is a bottom plan view thereof.  
The broken lines in all figures illustrate portions of the wireless communication device that form no part of the claimed design.

(56) **References Cited**

**U.S. PATENT DOCUMENTS**

D332,416 S \* 1/1993 Craig ..... D10/100  
5,761,612 A \* 6/1998 Read ..... H04B 1/088  
455/351  
D460,452 S \* 7/2002 Yoshie ..... D14/358  
D483,024 S \* 12/2003 Sanchez ..... D14/155  
D520,500 S \* 5/2006 Storti ..... D14/240  
D535,651 S 1/2007 Wong et al.  
D566,115 S 4/2008 Swanson et al.  
D609,701 S \* 2/2010 Hou ..... D14/240

**1 Claim, 6 Drawing Sheets**



(56)

References Cited

U.S. PATENT DOCUMENTS

D800,723 S 10/2017 Fong et al.  
 D808,908 S \* 1/2018 Paul ..... D13/162  
 10,069,284 B1 \* 9/2018 Paul ..... A01G 25/165  
 D836,092 S \* 12/2018 Erbacher ..... D14/242  
 D837,180 S 1/2019 Silva  
 D853,973 S \* 7/2019 Sharp ..... D13/162  
 10,405,070 B2 \* 9/2019 Schwarzkopf ..... H04Q 9/00  
 D864,145 S 10/2019 Zhang et al.  
 10,573,165 B2 \* 2/2020 Schwarzkopf ..... H04Q 9/00  
 D891,955 S \* 8/2020 Joyal ..... D10/70  
 10,754,376 B1 \* 8/2020 Williams ..... G06F 1/1609  
 D910,465 S \* 2/2021 Lindeman ..... D10/49  
 D929,358 S \* 8/2021 Peled ..... D14/155  
 2017/0244158 A1 \* 8/2017 Ali ..... H04B 1/3827  
 2019/0341674 A1 \* 11/2019 Rosenthal ..... H01Q 1/246  
 2021/0058272 A1 \* 2/2021 Fang ..... H04W 8/005

FOREIGN PATENT DOCUMENTS

JP D1301441 S 5/2007  
 JP D1315435 S 11/2007

JP D1343695 S 11/2008  
 JP D1351296 S 2/2009  
 JP D1379580 S 2/2010  
 JP D1380684 S 2/2010  
 JP D1408641 S 3/2011  
 JP D1408914 S 3/2011  
 JP D1428695 S 12/2011  
 JP D1455875 S 11/2012  
 JP D1479196 S 9/2013  
 JP D1507759 S 9/2014  
 JP D1639473 S 8/2019  
 JP D1645654 S 11/2019  
 MY 14-01168-0101 10/2015  
 TW D116528 S 4/2007  
 TW D147561 S 6/2012  
 TW D166274 S 3/2015  
 TW D166276 S 3/2015  
 WO DM088735 4/2016

OTHER PUBLICATIONS

Taiwan Office Action dated Jul. 15, 2020 issued to the corresponding Taiwan Design Application No. 109300961.

\* cited by examiner

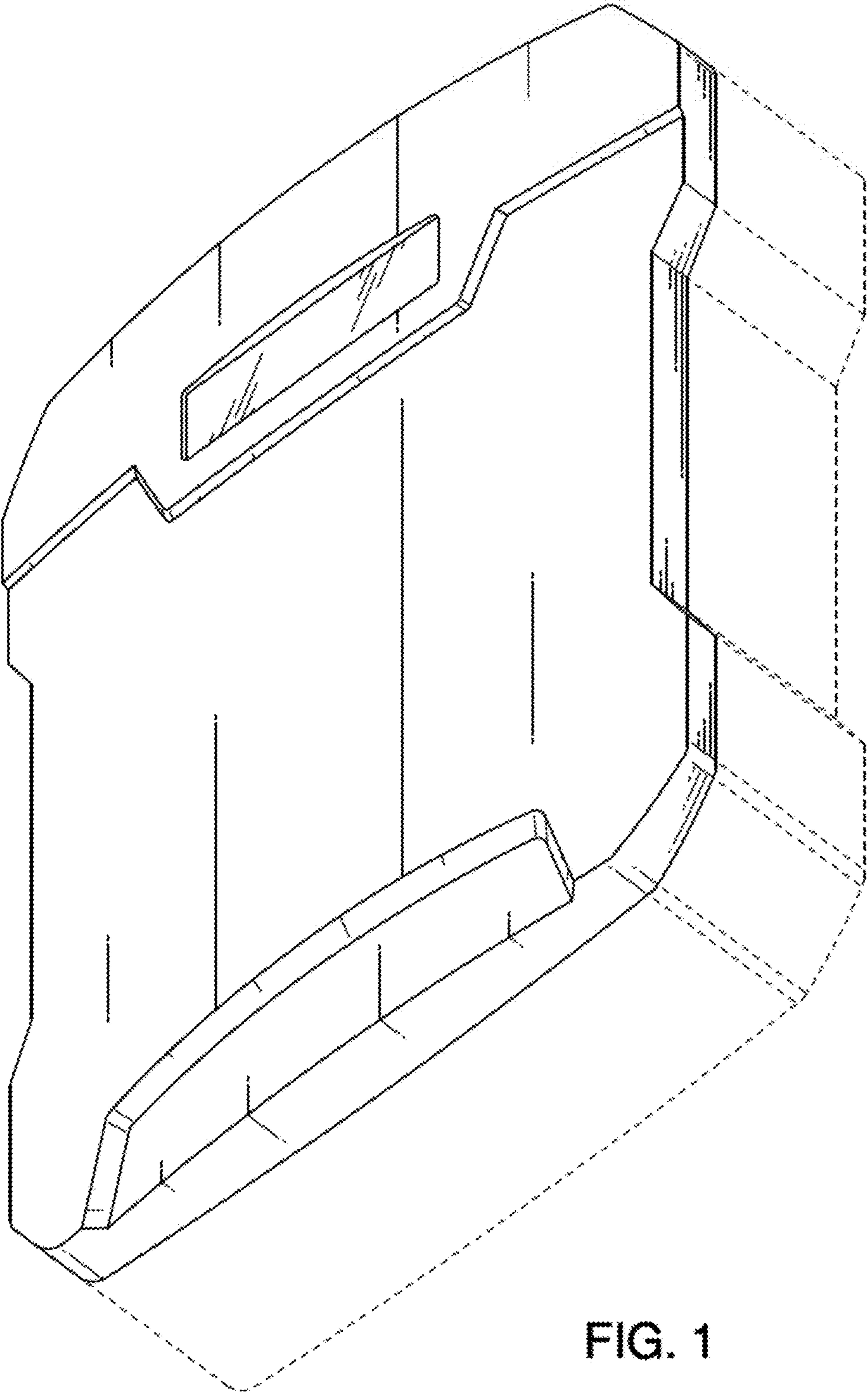


FIG. 1

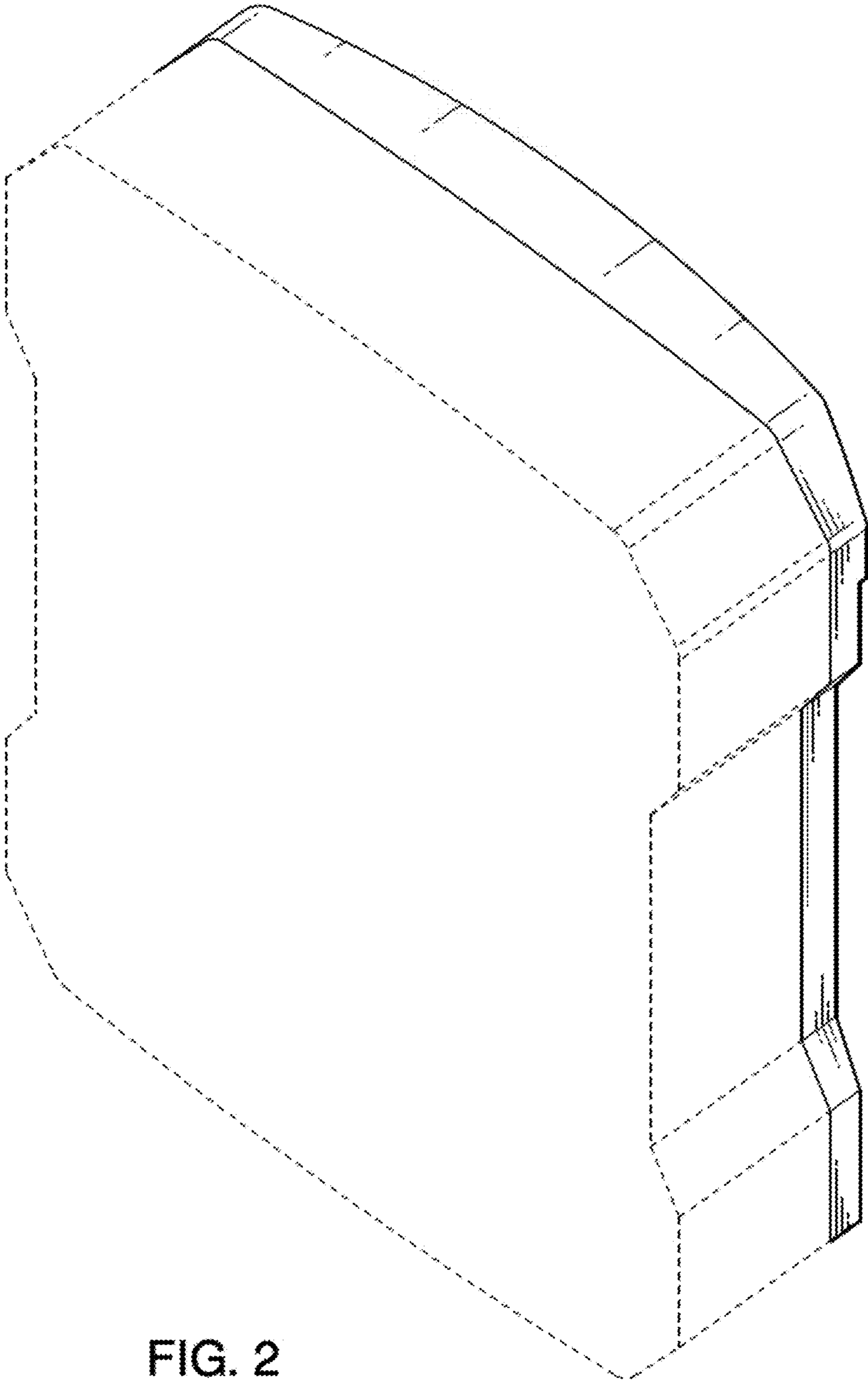


FIG. 2

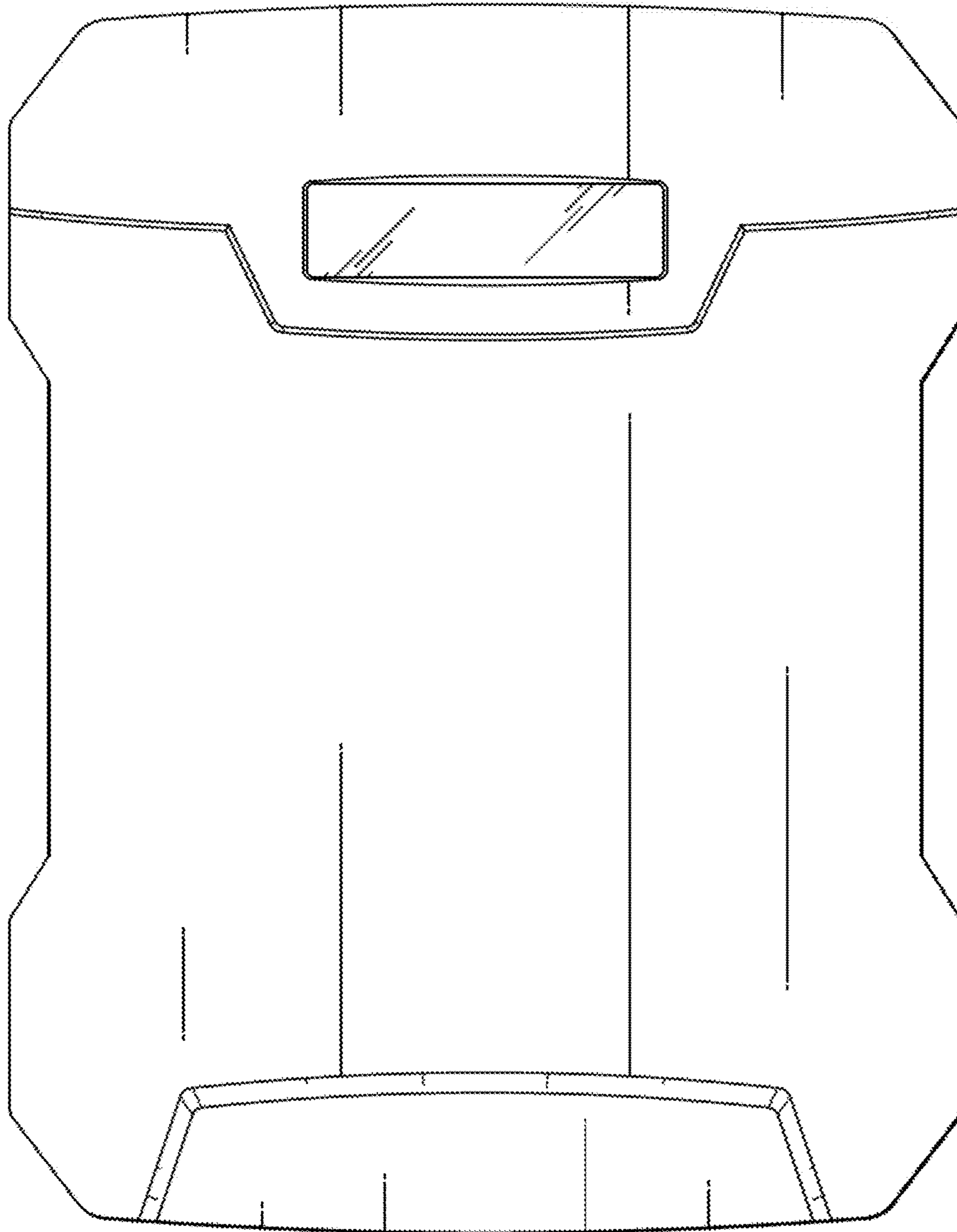


FIG. 3

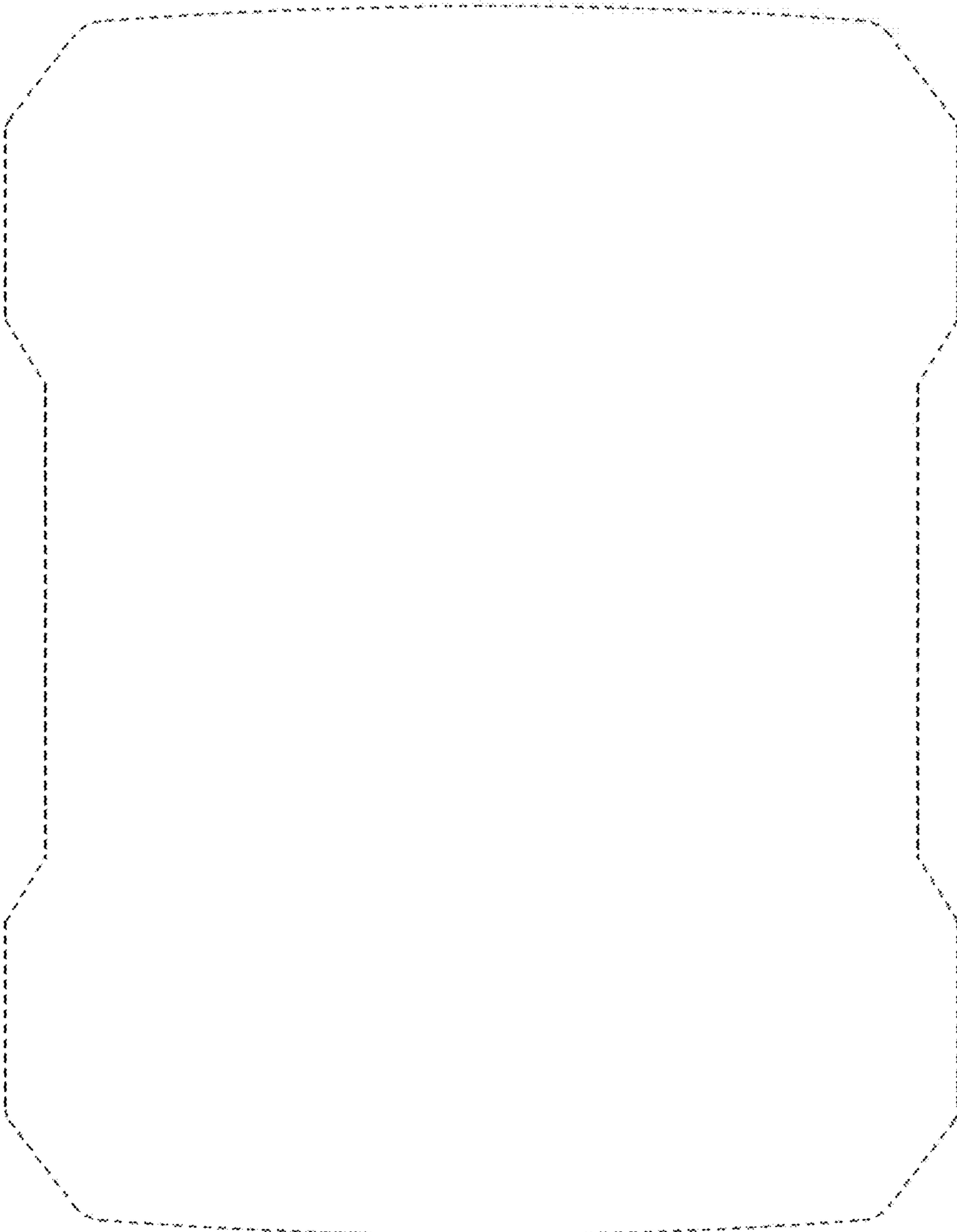


FIG. 4

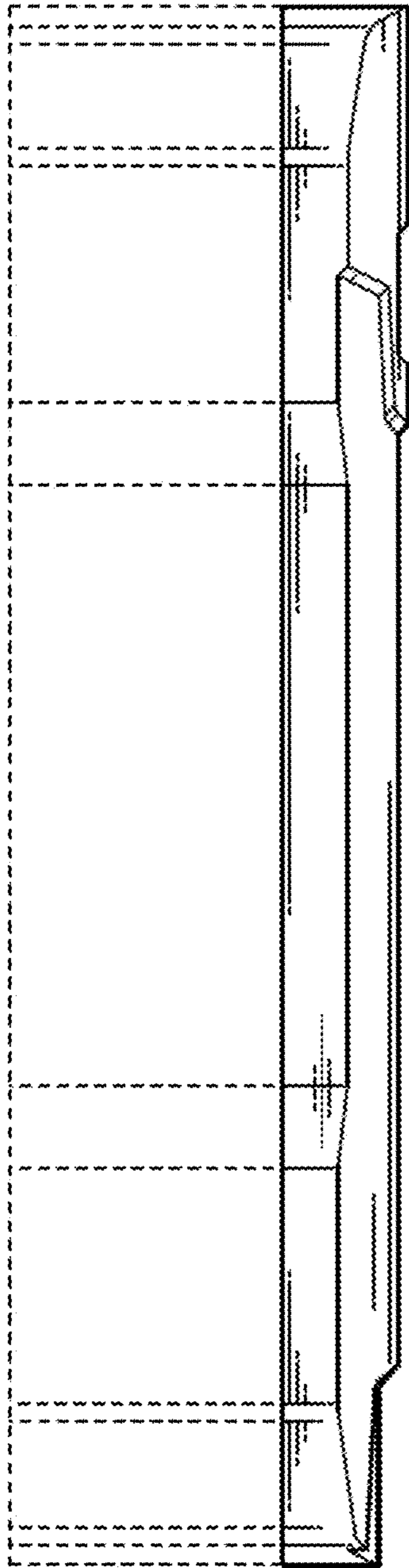


FIG. 5

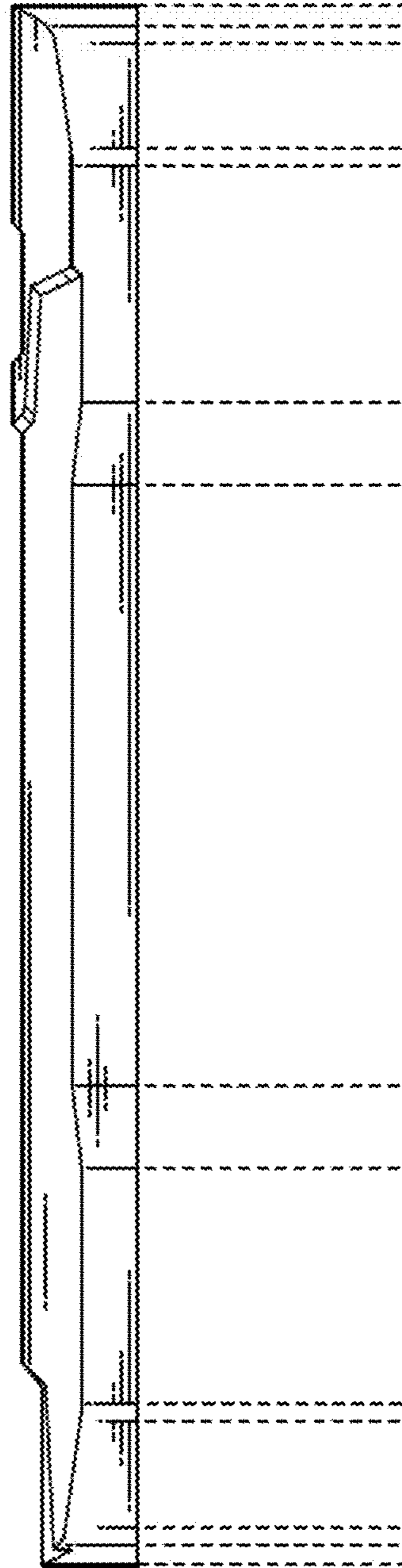


FIG. 6

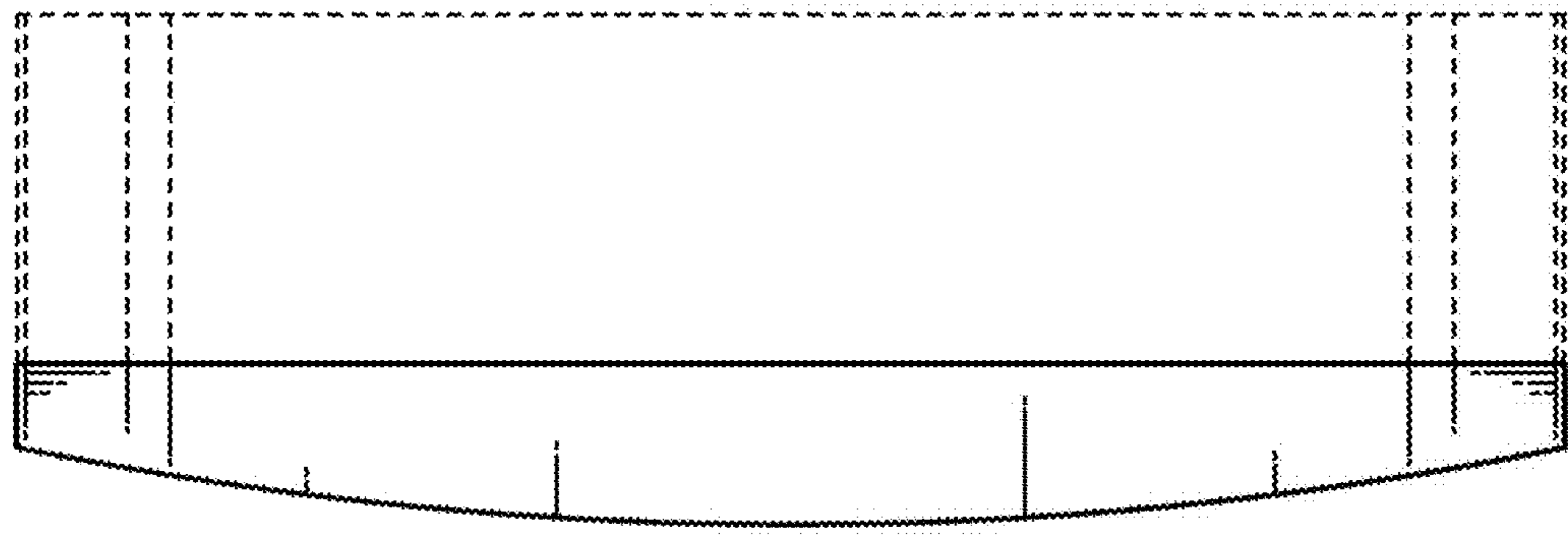


FIG. 7

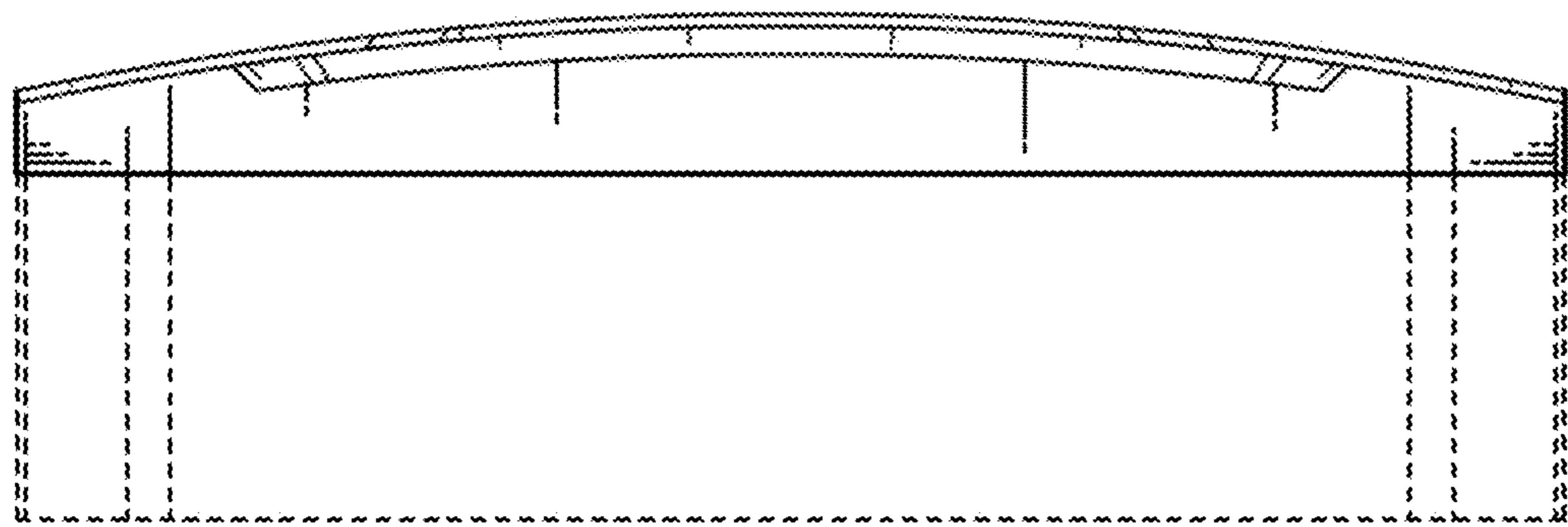


FIG. 8