



US00D937251S

(12) **United States Design Patent**  
**Peng**

(10) **Patent No.:** **US D937,251 S**

(45) **Date of Patent:** **\*\* Nov. 30, 2021**

(54) **COMBINED SUPPLEMENTARY LIGHT AND PHONE STAND**

(71) Applicant: **DONGGUAN BIAOSHENG PLASTIC ELECTRONICS CO., LTD.**, Dongguan (CN)

(72) Inventor: **Wenxiu Peng**, Dongguan (CN)

(73) Assignee: **DONGGUAN BIAOSHENG PLASTIC ELECTRONICS CO., LTD.**, Dongguan (CN)

(\*\*) Term: **15 Years**

(21) Appl. No.: **29/769,715**

(22) Filed: **Feb. 8, 2021**

(51) **LOC (13) Cl.** ..... **14-03**

(52) **U.S. Cl.**  
USPC ..... **D14/252**; D14/253; D16/237; D26/51; D26/38

(58) **Field of Classification Search**  
USPC ..... D14/251–253, 440, 447, 217, 238.1; D12/415; D3/218, 247, 249; D13/108; D6/310; D8/353; D16/237, 239; D26/51, 37, 38, 44  
CPC ..... H04M 1/04; H04M 1/21; H04M 1/0266; F16M 13/00; F16M 11/041; B60R 11/0241; B60R 11/0252; B60R 2011/0059; B60R 2011/0063; B60R 2011/0005; B60R 2011/0003; B60R 2011/0078; H02J 7/0027; H02J 2310/22; A45F 2200/0516; A45F 5/00; A45F 2200/0525; A45F 5/10; A45C 2011/002; G03B 17/561; G03B 27/582; A47B 97/04; G09F 1/00  
See application file for complete search history.

(56) **References Cited**

**U.S. PATENT DOCUMENTS**

D730,887 S \* 6/2015 Lindemann ..... D14/253  
D827,179 S \* 8/2018 Mou ..... D26/72

D855,242 S \* 7/2019 Chen ..... D26/106  
D869,719 S \* 12/2019 Liu ..... D26/61  
D887,052 S \* 6/2020 Xu ..... D26/39  
D892,199 S \* 8/2020 Peng ..... D16/237  
D898,256 S \* 10/2020 Peng ..... D26/42

(Continued)

**OTHER PUBLICATIONS**

“3 in 1 Cell Phone Stand Holder with Selfie Light&Phone Cooler, Multifunction Angle Height Adjustable Tablet Holder Stand,Foldable Desk Phone Holder Tablet Stand for iPhone/Samsung/Switch/Pad/Pixel”, Retrieved Feb. 8, 2021]. Retrieved from Internet, <https://www.amazon.com/Holder-Multifunction-Adjustable-Foldable-Samsung/dp/B08M5ZXXQP/ref>.

(Continued)

*Primary Examiner* — Janice Hallmark

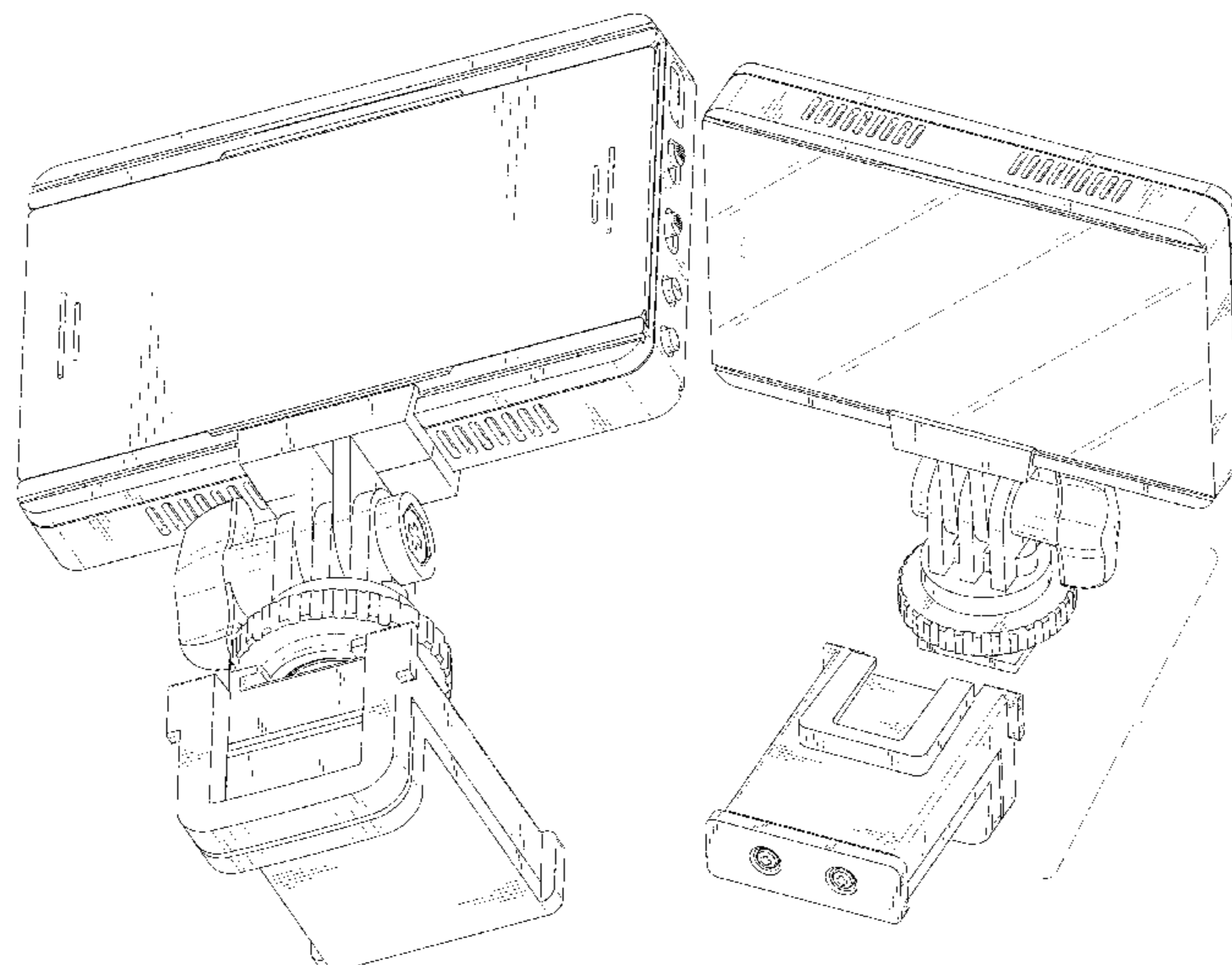
(57) **CLAIM**

The ornamental design for a combined supplementary light and phone stand, as shown and described.

**DESCRIPTION**

FIG. 1 is a perspective view of a combined supplementary light and phone stand showing my new design; FIG. 2 is another perspective view thereof; FIG. 3 is a front elevational view thereof; FIG. 4 is a rear elevational view thereof; FIG. 5 is a left side elevational view thereof; FIG. 6 is a right side elevational view thereof; FIG. 7 is a top plan view thereof; FIG. 8 is a bottom plan view thereof; and, FIG. 9 is an exploded perspective view of the combined supplementary light and phone stand. The broken lines in the drawings depict portions of the combined supplementary light and phone stand that form no part of the claimed design.

**1 Claim, 9 Drawing Sheets**



(56)

**References Cited**

U.S. PATENT DOCUMENTS

D901,749 S \* 11/2020 Chen ..... D26/106  
D918,190 S \* 5/2021 Hong ..... D14/253  
D927,583 S \* 8/2021 Feng ..... D16/237  
D932,080 S \* 9/2021 Wang ..... D26/60  
D932,081 S \* 9/2021 Wang ..... D26/60  
2019/0064638 A1 \* 2/2019 O'Neill ..... G03B 17/563

OTHER PUBLICATIONS

“CheeseandU Desktop Phone Stand with Selfie Ring Light Aluminum Alloy Foldable 360° Rotating Adjustable Phone Holder for Vlogs, Live Stream, Phone, YouTube, Self-Portrait Shooting”, Retrieved Feb. 8, 2021]. Retrieved from Internet, <https://www.amazon.com/CheeseandU-Aluminum-Foldable-Adjustable-Self-Portrait/dp/B08RDOJBZS/ref>.

\* cited by examiner

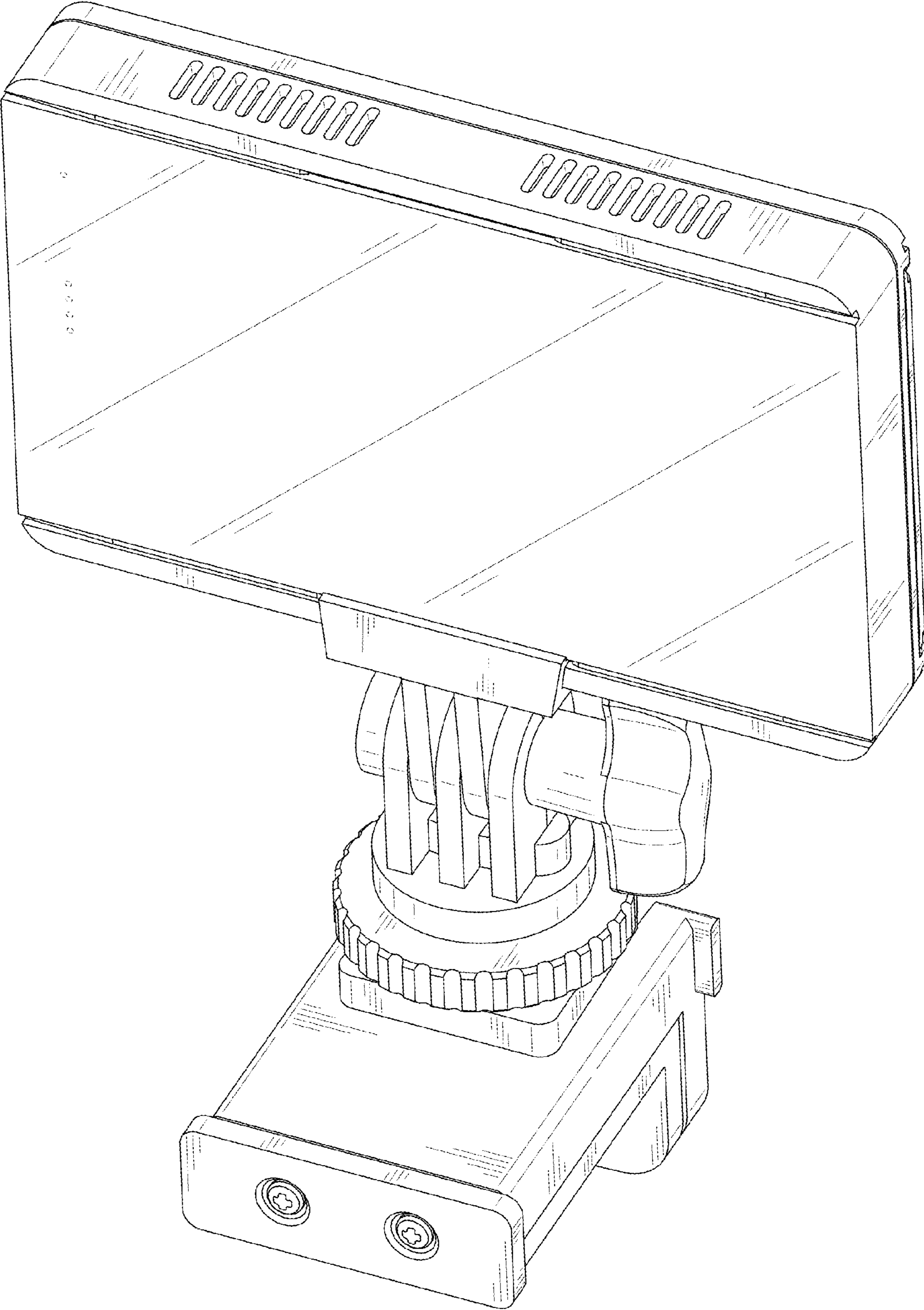


FIG. 1

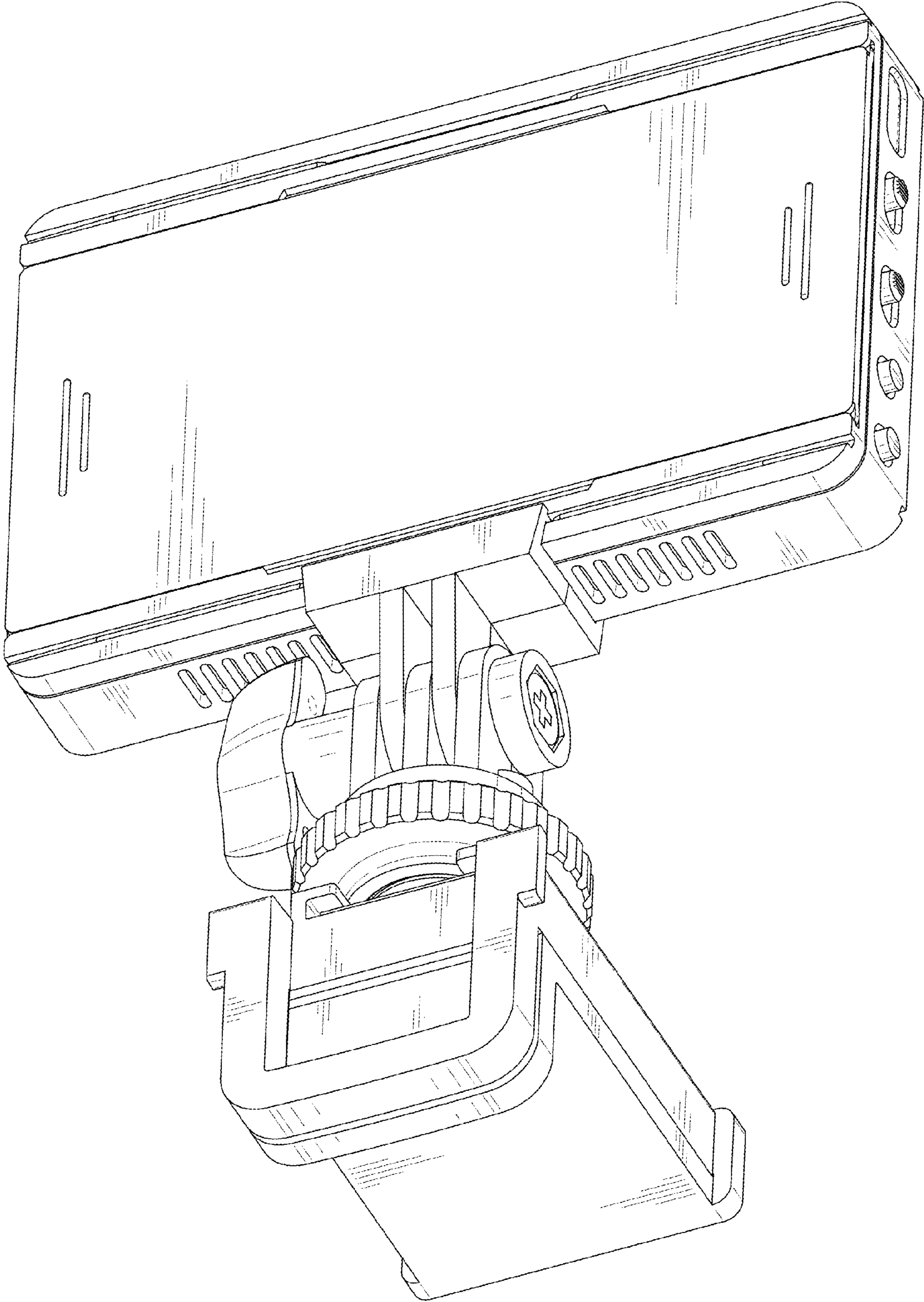


FIG. 2

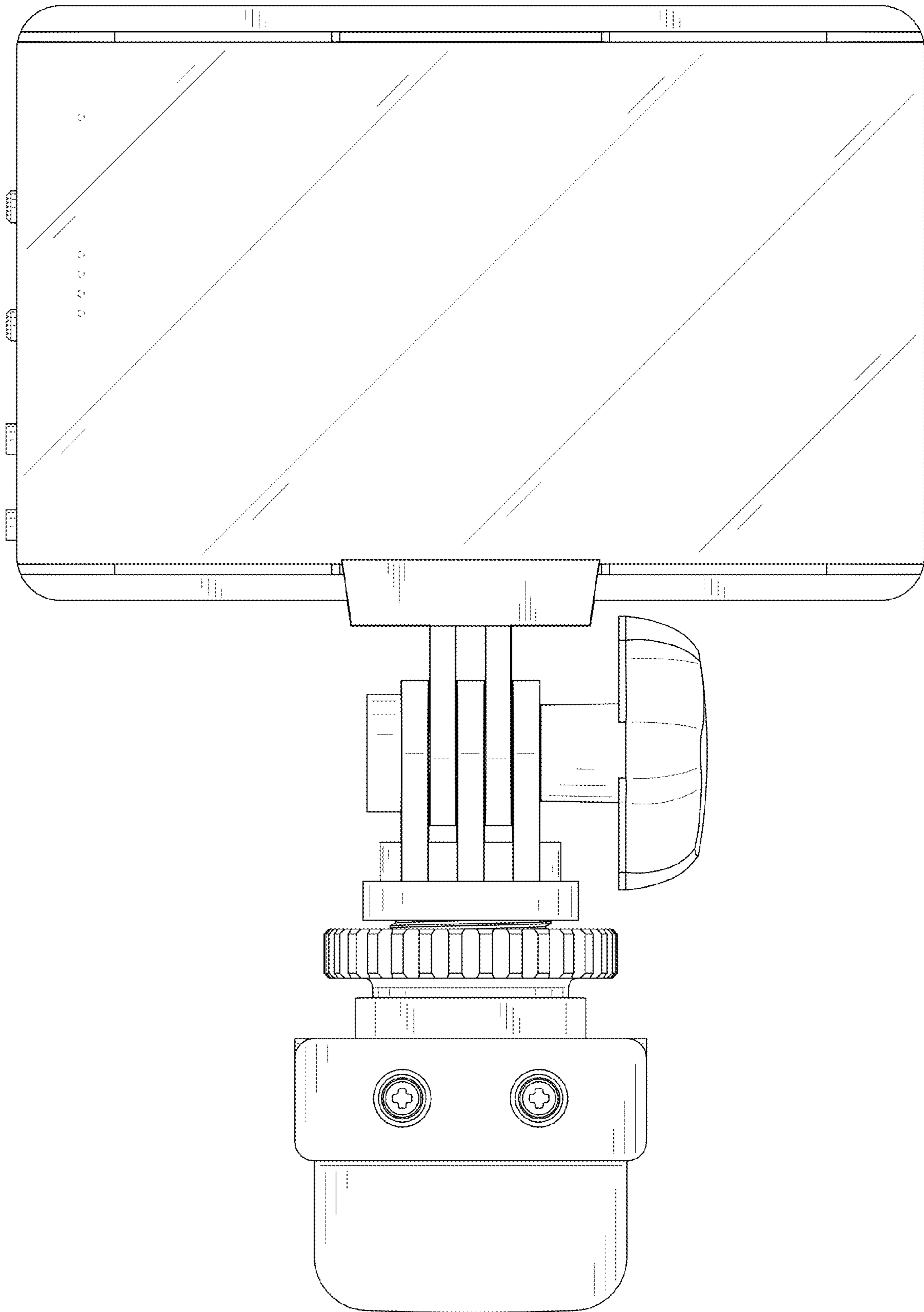


FIG. 3

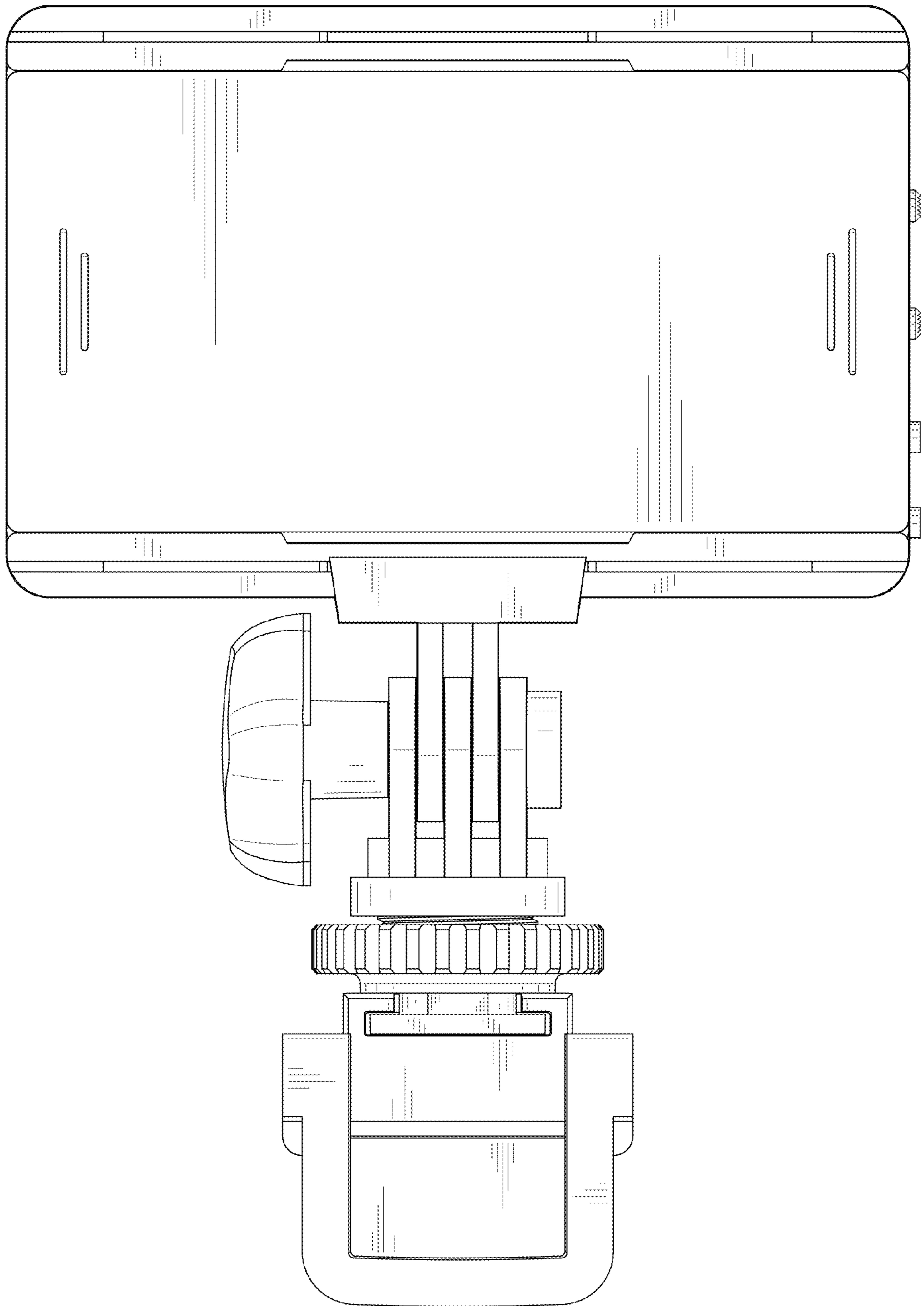


FIG. 4

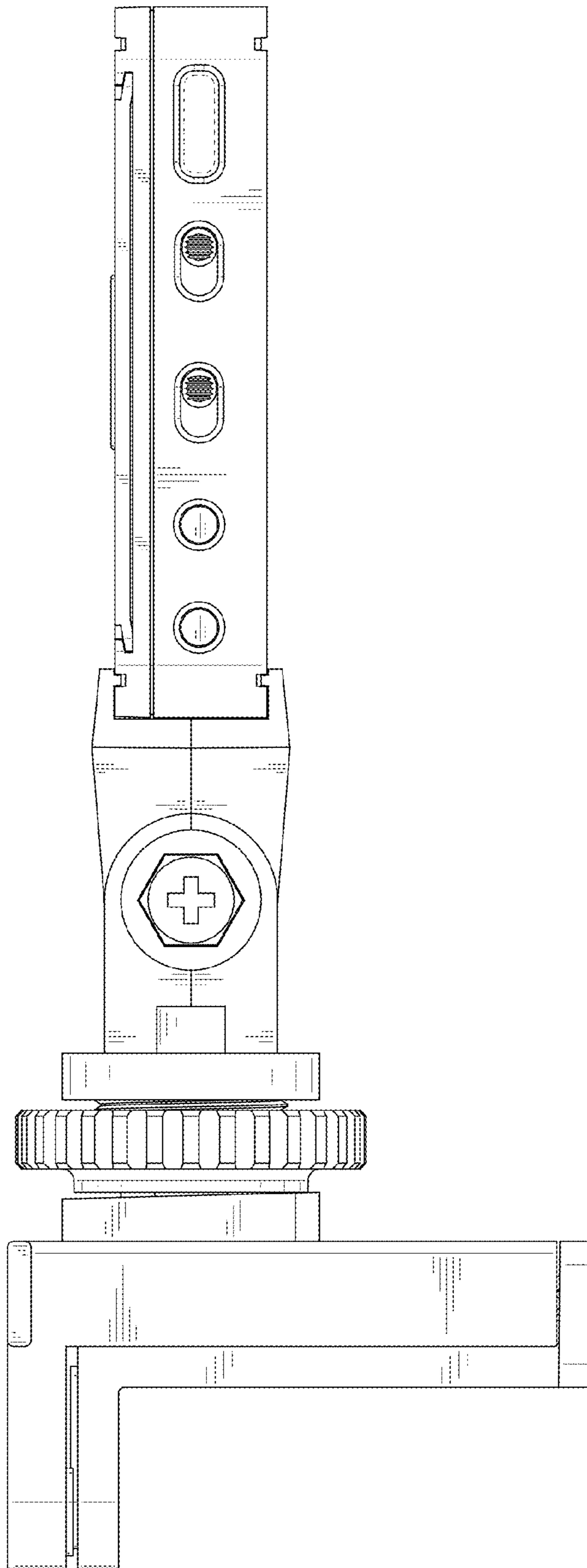


FIG. 5

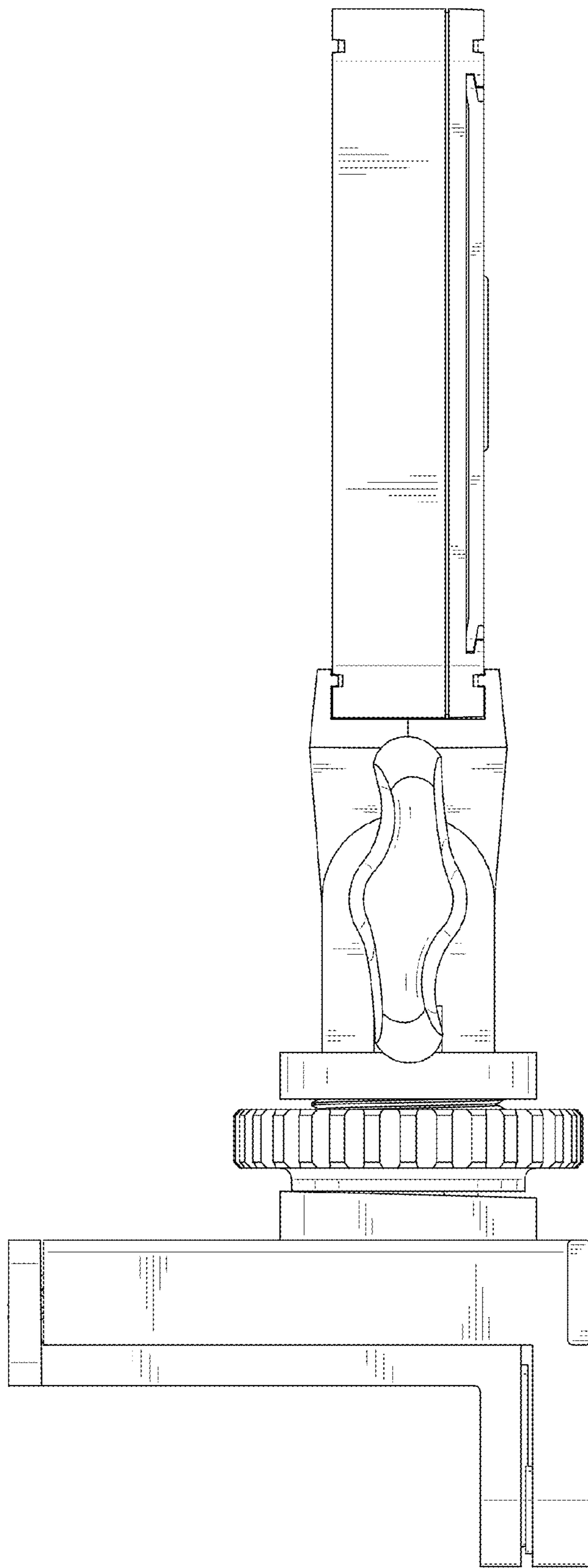


FIG. 6



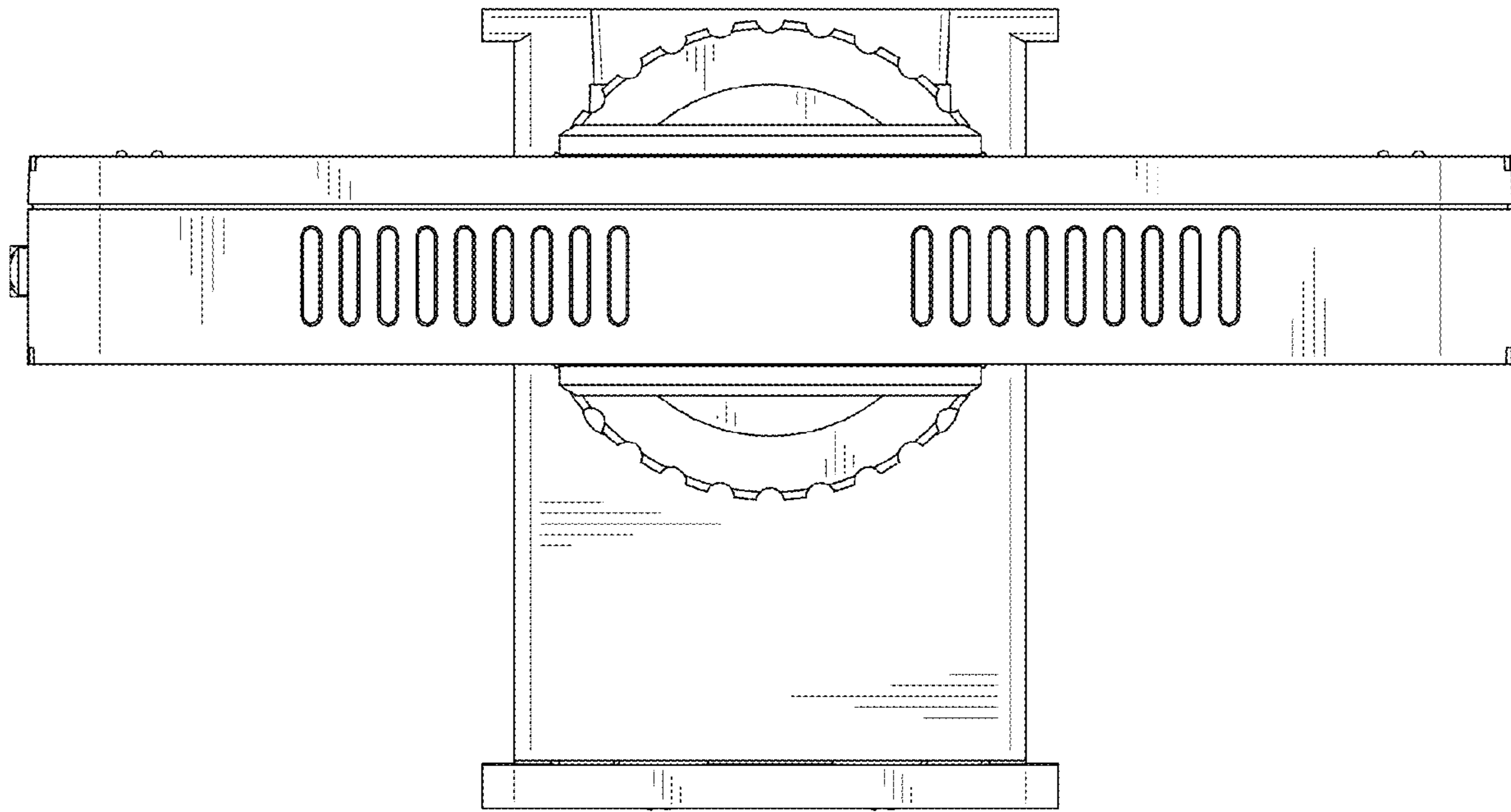


FIG. 7

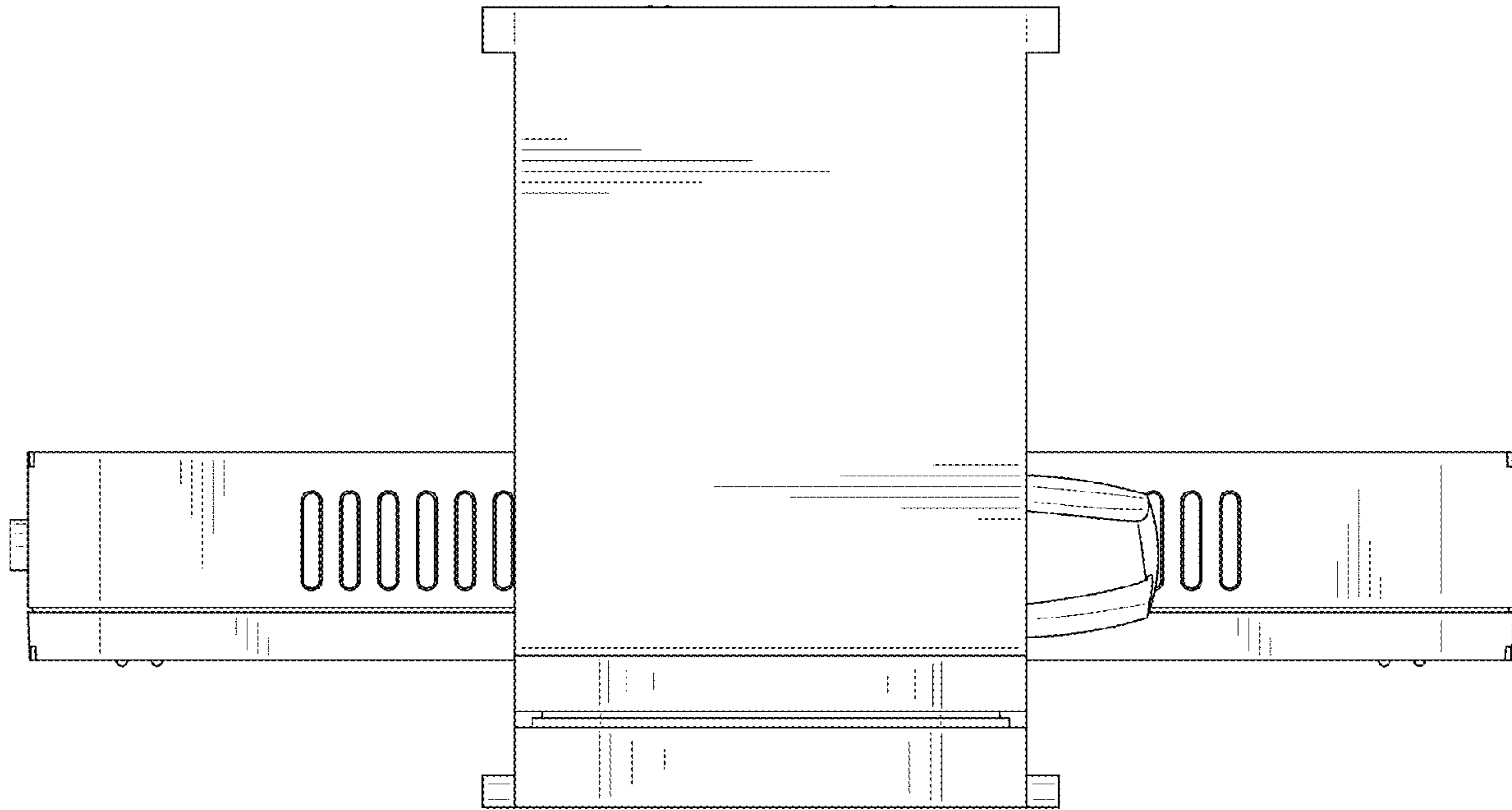


FIG. 8

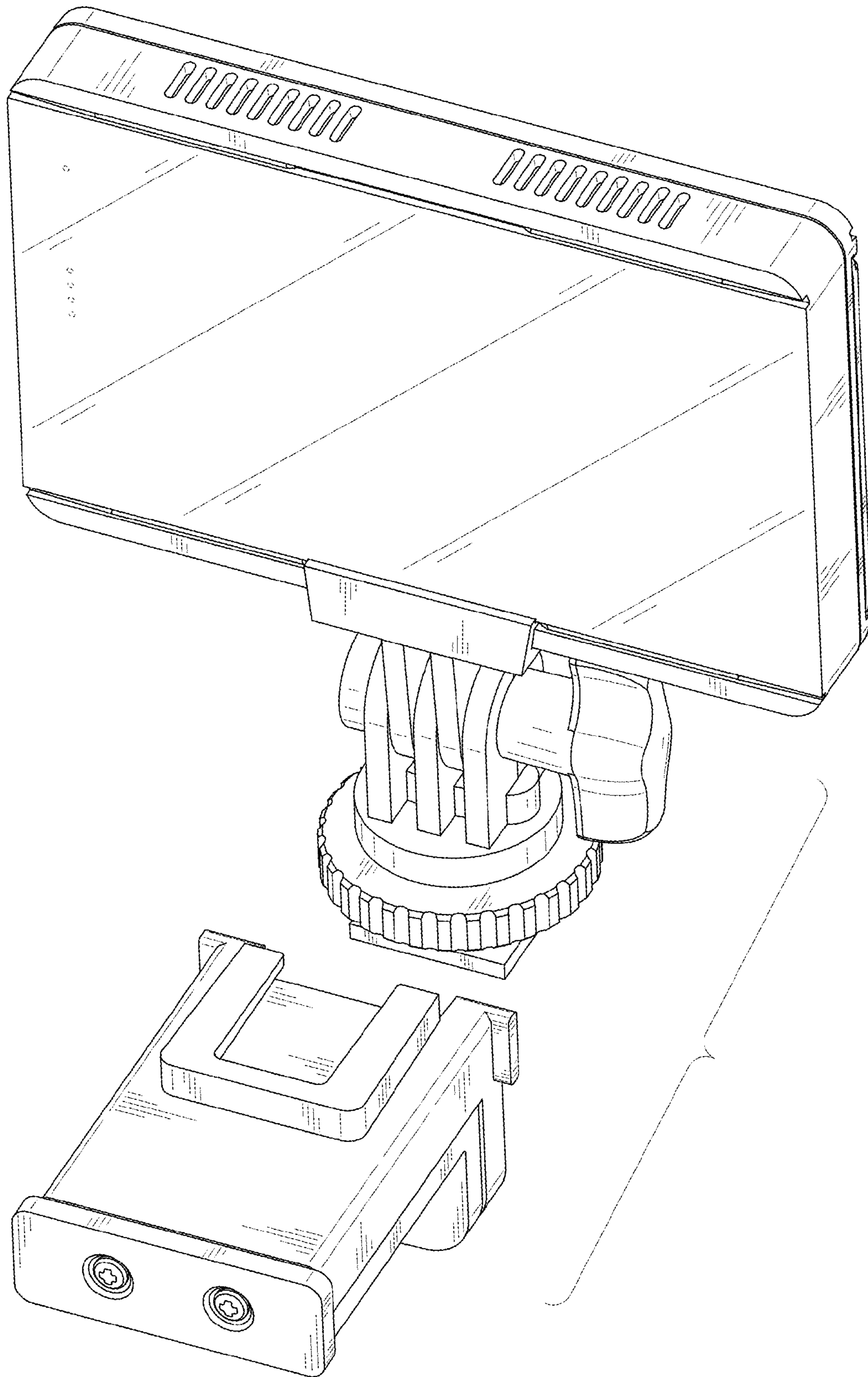


FIG. 9