



US00D937250S

(12) **United States Design Patent** (10) **Patent No.:** **US D937,250 S**
Jakobuco (45) **Date of Patent:** **** Nov. 30, 2021**

(54) **BACK COVER FOR MOBILE TELEPHONES**

(71) Applicant: **Christophe Jakobuco**, Guangzhou (CN)

(72) Inventor: **Christophe Jakobuco**, Guangzhou (CN)

(**) Term: **15 Years**

(21) Appl. No.: **35/510,027**

(22) Filed: **Jul. 22, 2020**

(80) **Hague Agreement Data**

Int. Filing Date: **Jul. 22, 2020**

Int. Reg. No.: **DM/209540**

Int. Reg. Date: **Jul. 22, 2020**

Int. Reg. Pub. Date: **Aug. 7, 2020**

(51) **LOC (13) Cl.** **14-03**

(52) **U.S. Cl.**
USPC **D14/250**

(58) **Field of Classification Search**

USPC D3/201, 212, 218, 226, 227, 247, 249,
D3/250, 269, 303; D13/103, 107, 108,
D13/119; D14/128-130, 137, 138 R,
D14/138 AA, 138 C, 138 G, 172, 192,
D14/203.3-203.7, 217, 238.1, 247, 248,
D14/250-253, 345, 420, 426, 427, 434,
D14/440, 447, 496

CPC H04B 1/3888; H04M 1/0283; H04M
1/0202; A45C 1/06; A45C 2011/002;
A45C 11/00; A45F 2005/028; A45F
2200/0525

See application file for complete search history.

(56) **References Cited**

U.S. PATENT DOCUMENTS

D721,373 S * 1/2015 Logereau D14/432
D808,371 S * 1/2018 Kim D14/250
D816,654 S * 5/2018 Chen D14/250
D846,542 S * 4/2019 Sasaki D14/250

D853,372 S * 7/2019 Kim D14/250
D860,984 S * 9/2019 Stagge D14/250
D862,446 S * 10/2019 Jia D14/250
D865,739 S * 11/2019 Altschul D14/250
D868,053 S * 11/2019 Gao D14/250
D868,765 S * 12/2019 Batta D14/250
D870,089 S * 12/2019 Batta D14/250
10,610,004 B1 * 4/2020 Yeo A45F 5/10
D894,889 S * 9/2020 Feller D14/251
D898,016 S * 10/2020 Liang D14/250

(Continued)

OTHER PUBLICATIONS

Nillkin iPhone 11 Pro Max Case, upload date Mar. 28, 2020,
[online] URL: <https://www.amazon.com/Nillkin-CamShield-Impact-Resistant-Protective-Kickstand/dp/B086HKH7GT> (Year: 2020).*

Primary Examiner — L. A. Grabenstetter

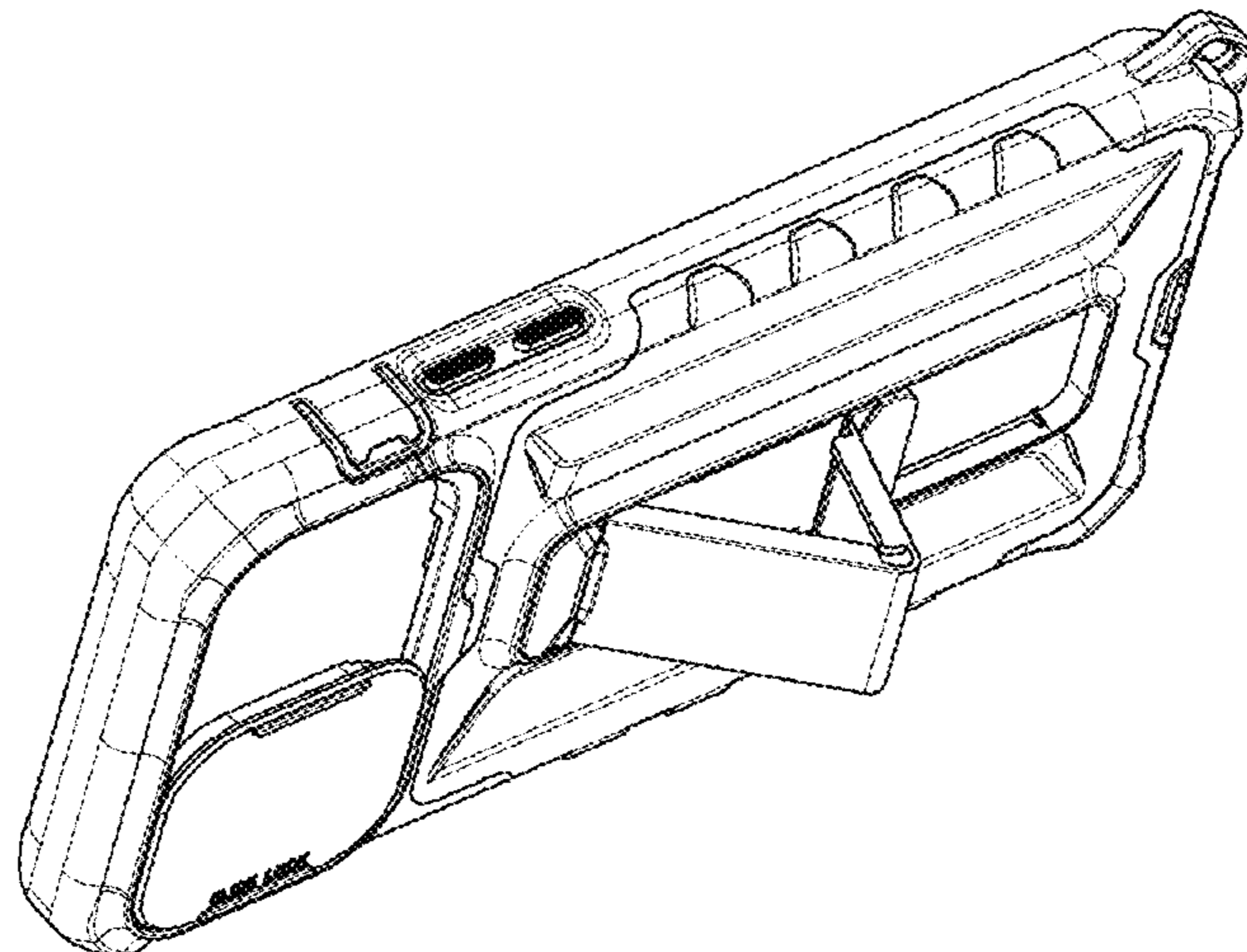
(57) **CLAIM**

The ornamental design for a back cover for mobile tele-
phones, as shown and described.

DESCRIPTION

- 1. Back cover for mobile telephones
- 1.1 : Rear view of the back cover for mobile telephones, showing the sliding camera covering in a closed condition and the stand feature in a relaxed condition
- 1.2 : Second rear view thereof, showing the sliding camera covering in an open condition and the foldable stand feature in a folded condition
- 1.3 : Rear, right side perspective view thereof, showing the sliding camera covering in a closed condition and the stand feature in a relaxed condition
- 1.4 : Second rear, right side perspective view thereof, showing the sliding camera covering in an open condition and the foldable stand feature in a folded condition
- 1.5 : Rear, left side perspective view thereof, showing the sliding camera covering in a closed condition and the foldable stand feature in a folded condition
- 1.6 : Right side view thereof
- 1.7 : Left side view thereof

1 Claim, 7 Drawing Sheets



(56)

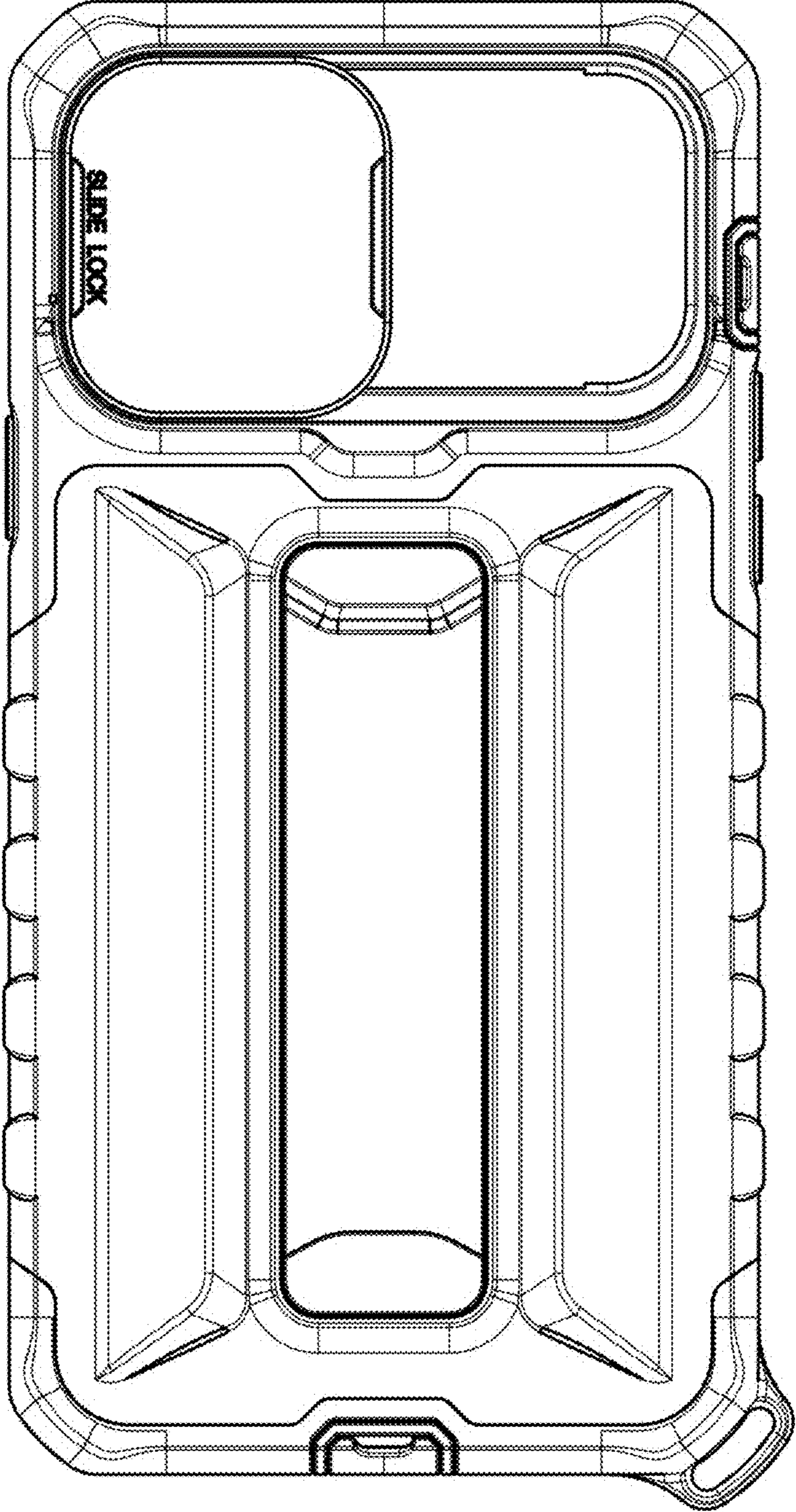
References Cited

U.S. PATENT DOCUMENTS

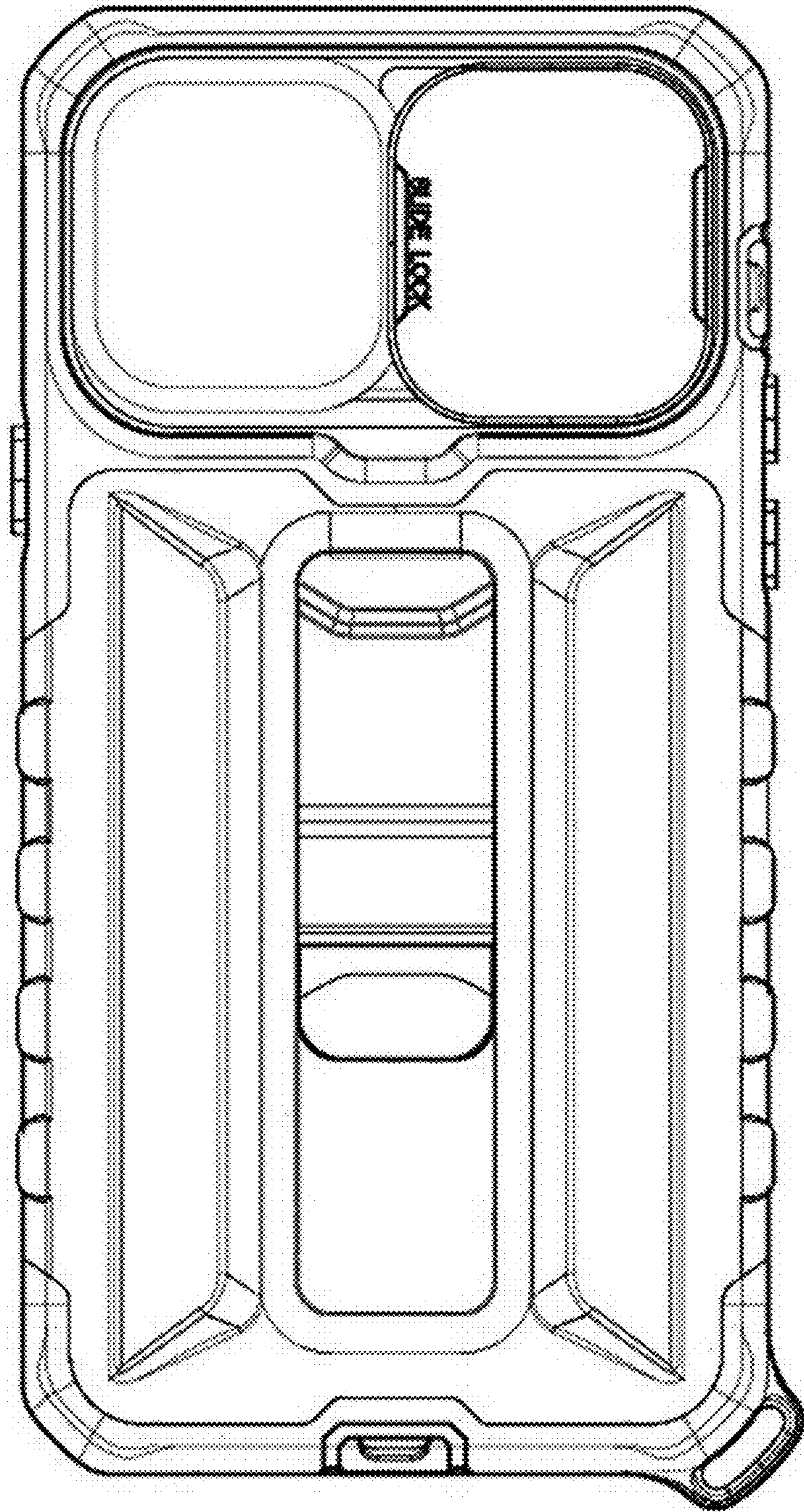
D900,084 S * 10/2020 Yoon D14/250
D901,480 S * 11/2020 Altschul H04M 1/0279
D14/250
2018/0041237 A1* 2/2018 Mody H04B 1/3877

* cited by examiner

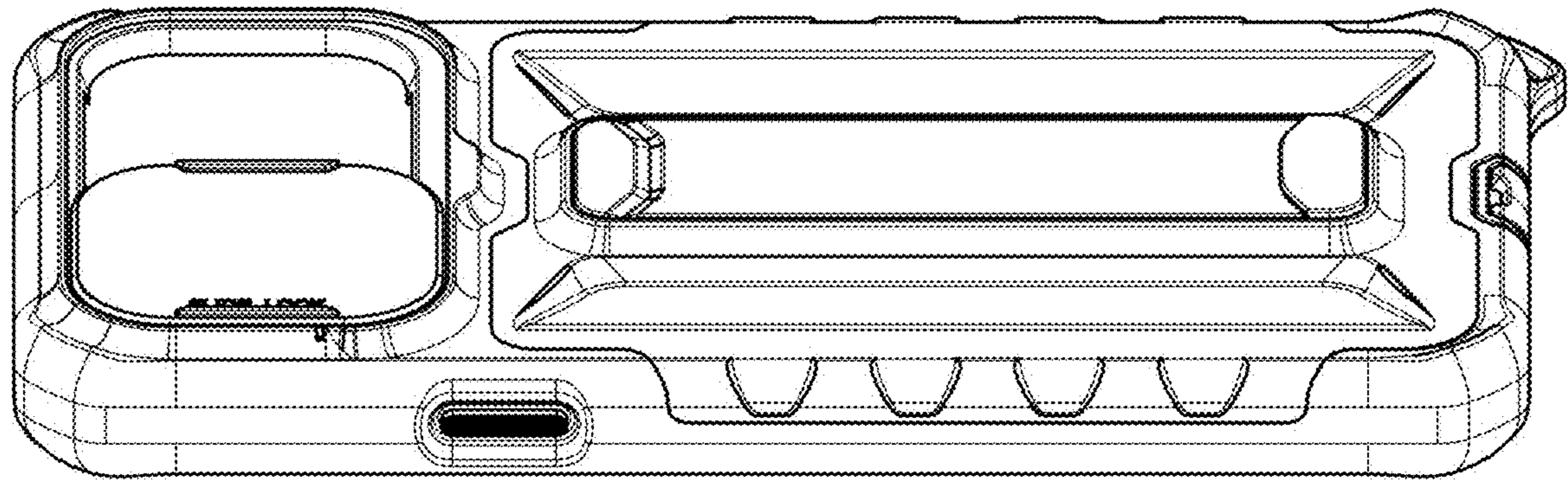
1.1



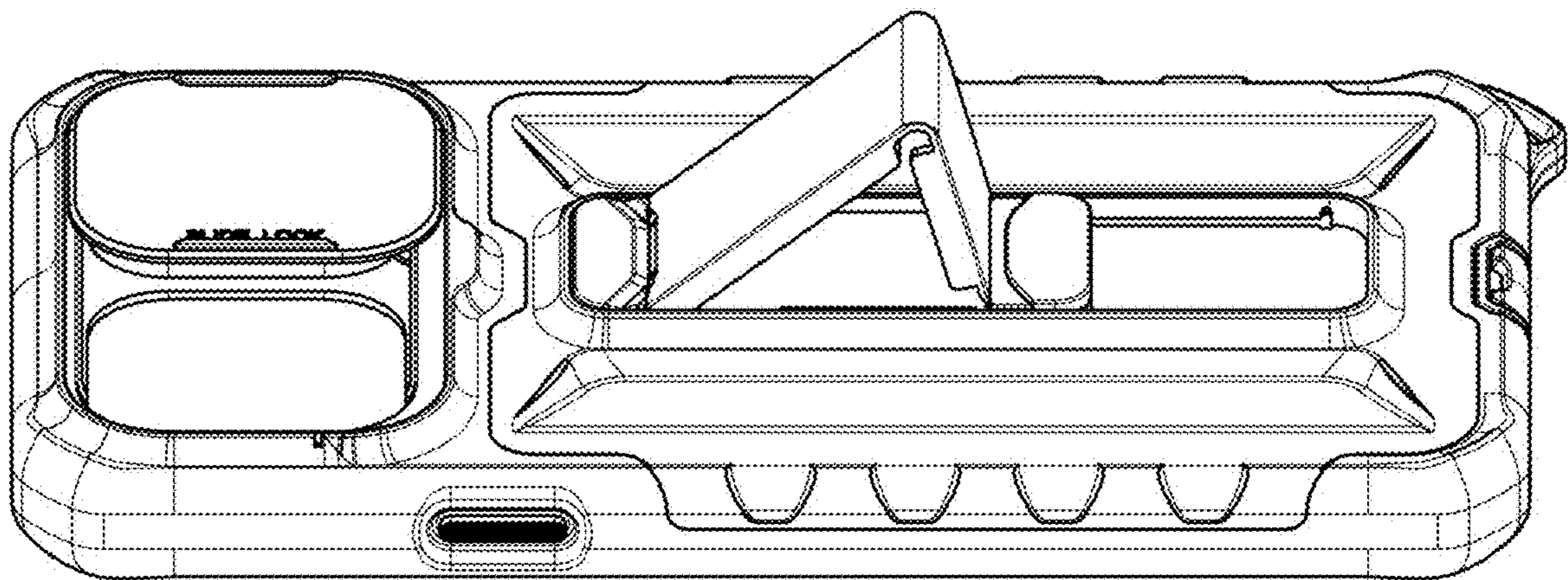
1.2



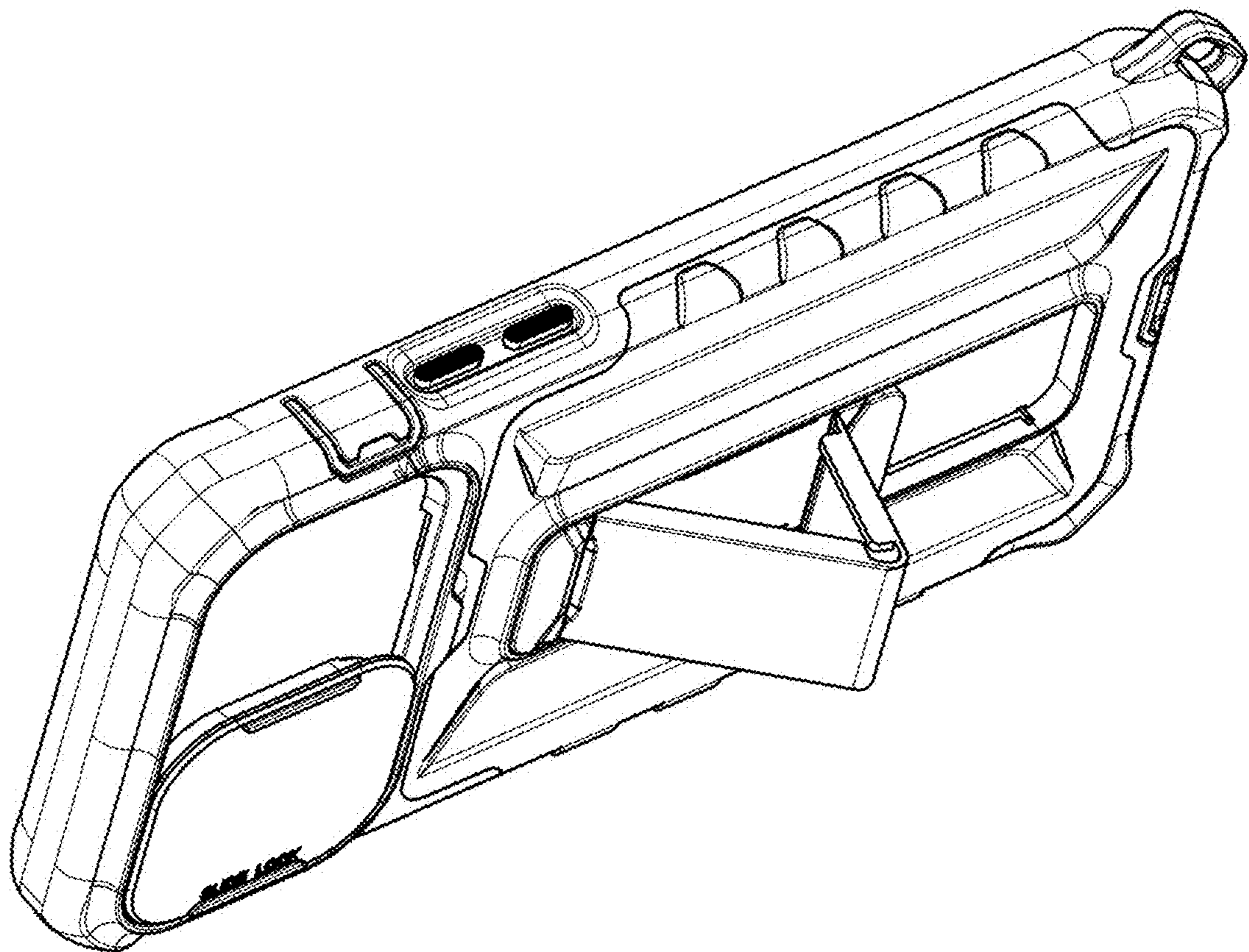
1.3



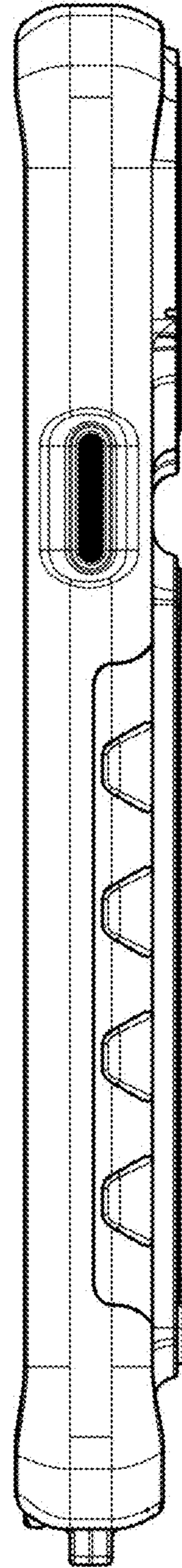
1.4



1.5



1.6



1.7

