



US00D937248S

(12) **United States Design Patent**
Liu et al.

(10) **Patent No.:** **US D937,248 S**

(45) **Date of Patent:** **** Nov. 30, 2021**

(54) **OUTDOOR CELL**

(71) Applicant: **AMBIT MICROSYSTEMS**
(SHANGHAI) LTD., Shanghai (CN)

(72) Inventors: **Yao Liu**, Shenzhen (CN); **Chia-Ao**
Chu, New Taipei (TW)

(73) Assignee: **AMBIT MICROSYSTEMS**
(SHANGHAI) LTD., Shanghai (CN)

(**) Term: **15 Years**

(21) Appl. No.: **29/701,733**

(22) Filed: **Aug. 14, 2019**

(30) **Foreign Application Priority Data**

Aug. 13, 2019 (CN) 201930438313.9

(51) **LOC (13) Cl.** **14-03**

(52) **U.S. Cl.**
USPC **D14/240**

(58) **Field of Classification Search**

USPC D14/240, 242, 357, 358, 140-140.9, 155,
D14/125, 137, 139, 243, 348, 349, 351,
D14/354, 355

CPC H04L 12/00; H03K 17/00; H04W 88/00;
H04W 88/005; H04W 88/02; H04W
88/08; H04W 88/085; H04W 88/10;
H04W 88/12; H04W 88/14; H04B 1/38

See application file for complete search history.

(56) **References Cited**

U.S. PATENT DOCUMENTS

D407,985 S * 4/1999 Pimentel D10/104.2
D704,177 S * 5/2014 Chun D14/240

D725,088 S * 3/2015 Kwak D14/240
D751,052 S * 3/2016 Jones D14/203.6
D766,844 S * 9/2016 Turksu D13/168
D769,836 S * 10/2016 Axelsson D14/125
D772,813 S * 11/2016 Wahl D13/108
D792,865 S * 7/2017 Park D14/138 R
D812,577 S * 3/2018 Turksu D13/168
D883,967 S * 5/2020 Huang D14/240
D892,758 S * 8/2020 Zimmerman, III D14/140.6
D900,027 S * 10/2020 Reilly D13/108
2020/0349787 A1 * 11/2020 Ho G07C 9/253

* cited by examiner

Primary Examiner — Bridget L Eland

(74) *Attorney, Agent, or Firm* — ScienBiziP, P.C.

(57) **CLAIM**

The ornamental design for an outdoor cell, as shown and described.

DESCRIPTION

FIG. 1 is a perspective view of an outdoor cell, showing our design;

FIG. 2 is another perspective view thereof;

FIG. 3 is a front elevational view thereof;

FIG. 4 is a rear elevational view thereof;

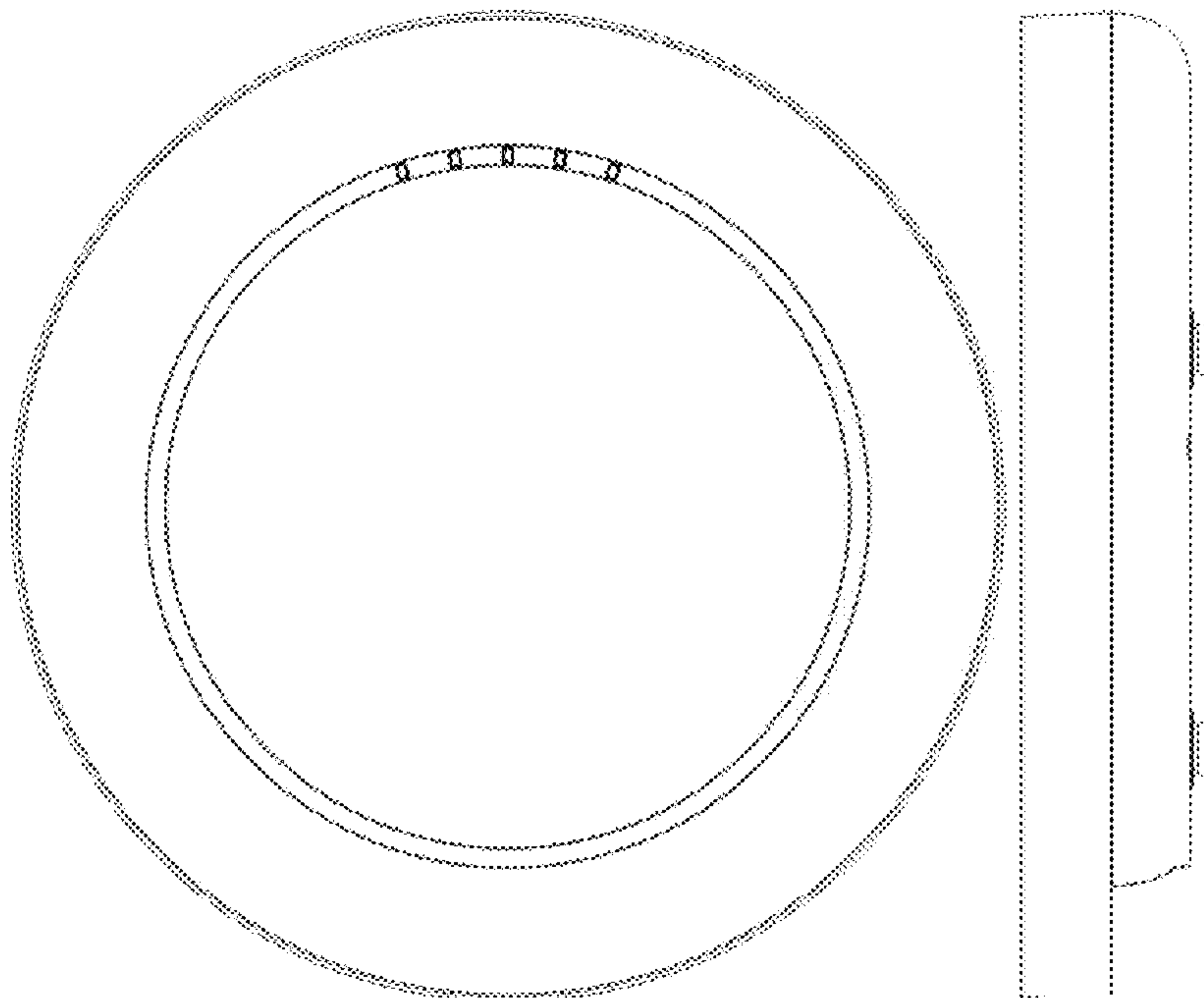
FIG. 5 is a left side elevational view thereof;

FIG. 6 is a right side elevational view thereof;

FIG. 7 is a top plan view thereof; and,

FIG. 8 is a bottom plan view thereof.

1 Claim, 8 Drawing Sheets



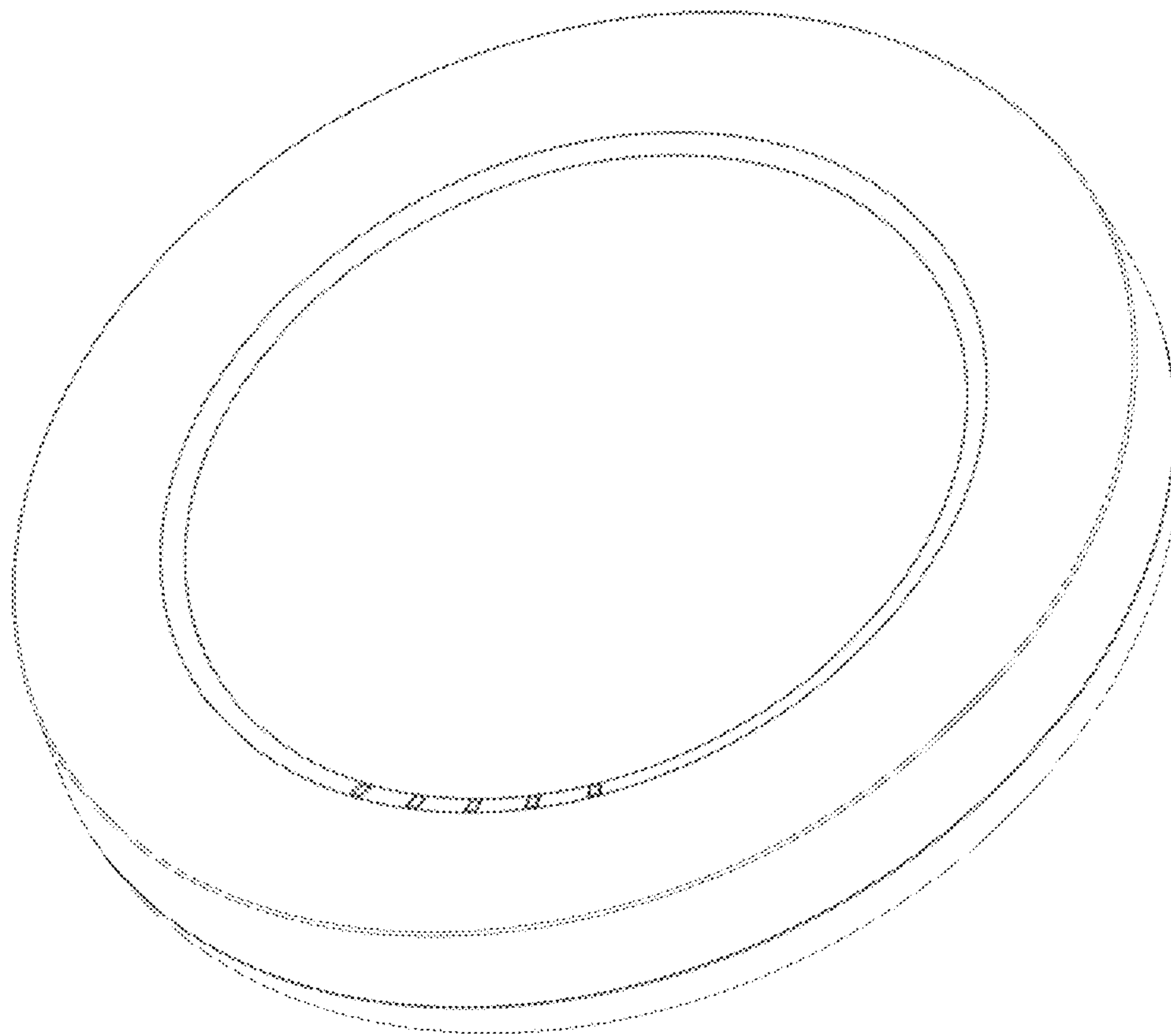


FIG. 1

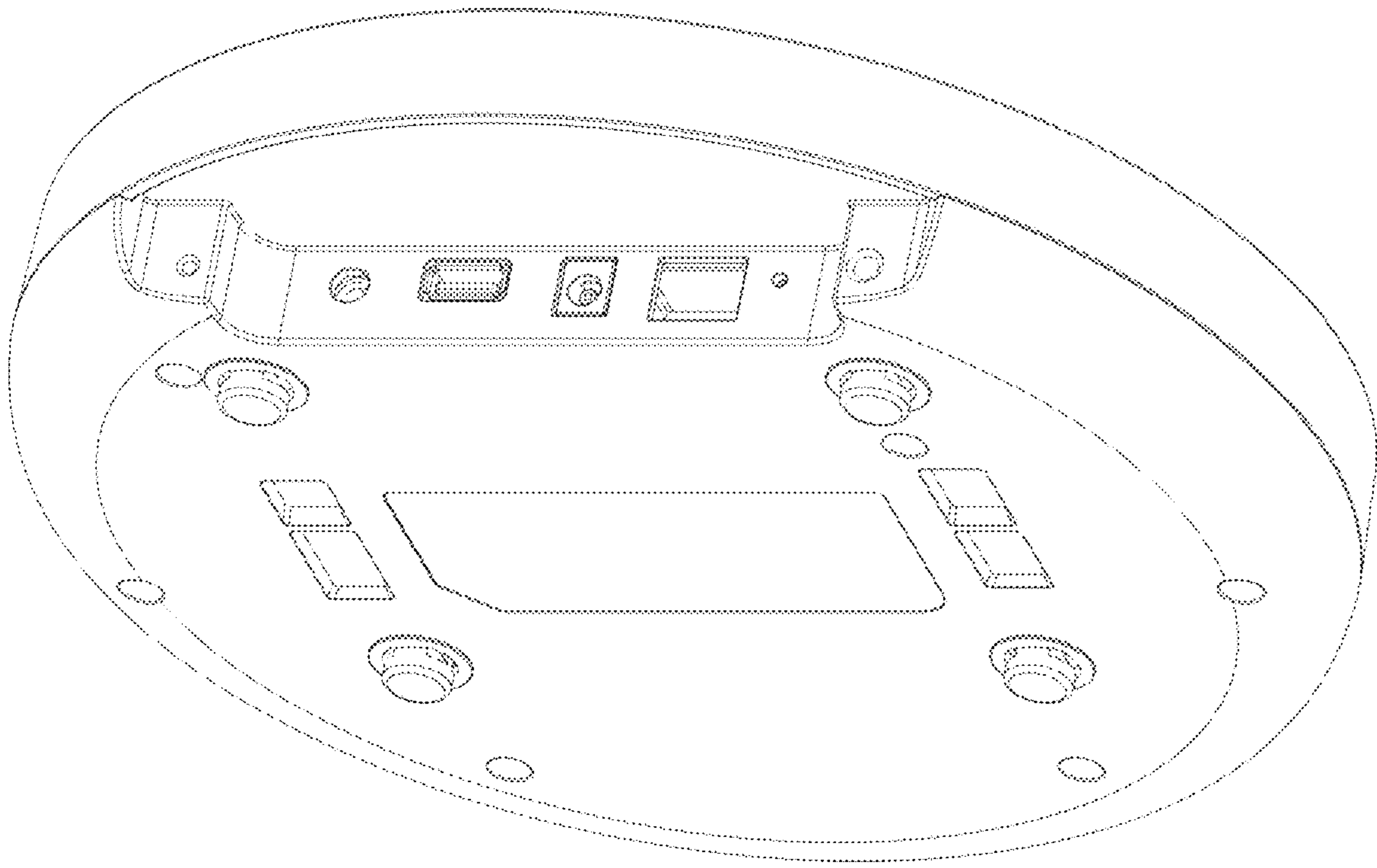


FIG. 2

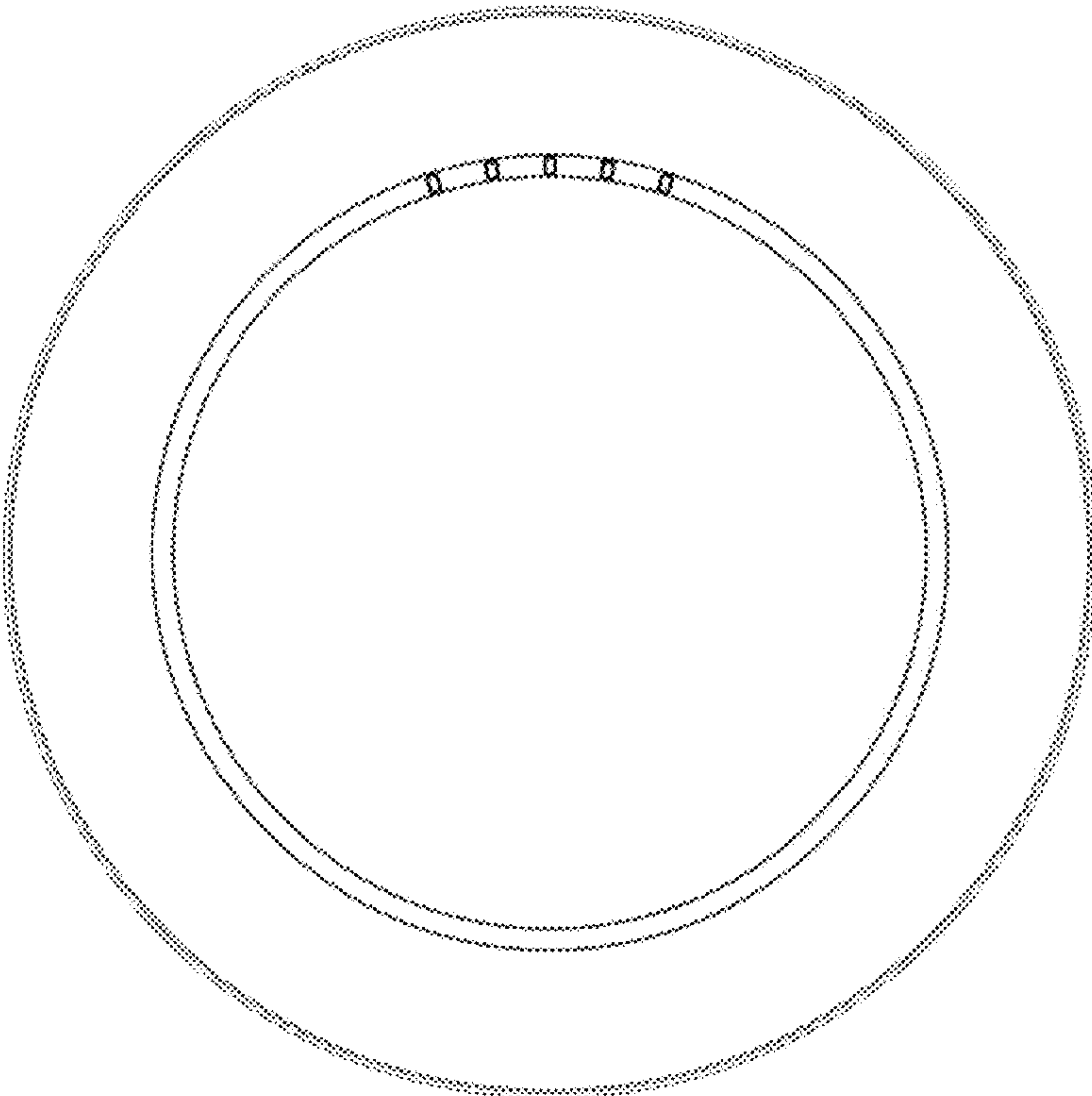


FIG. 3

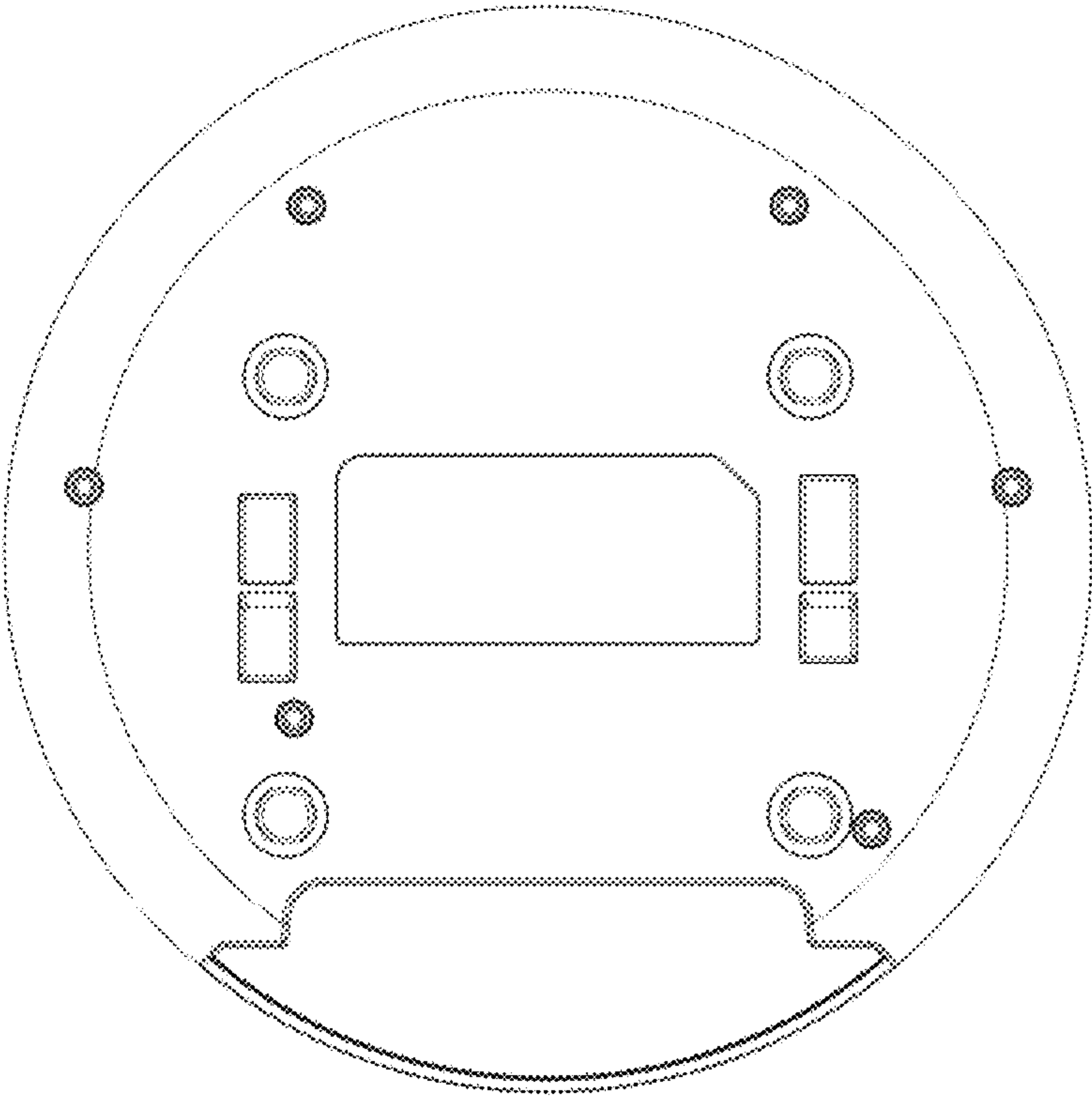


FIG. 4

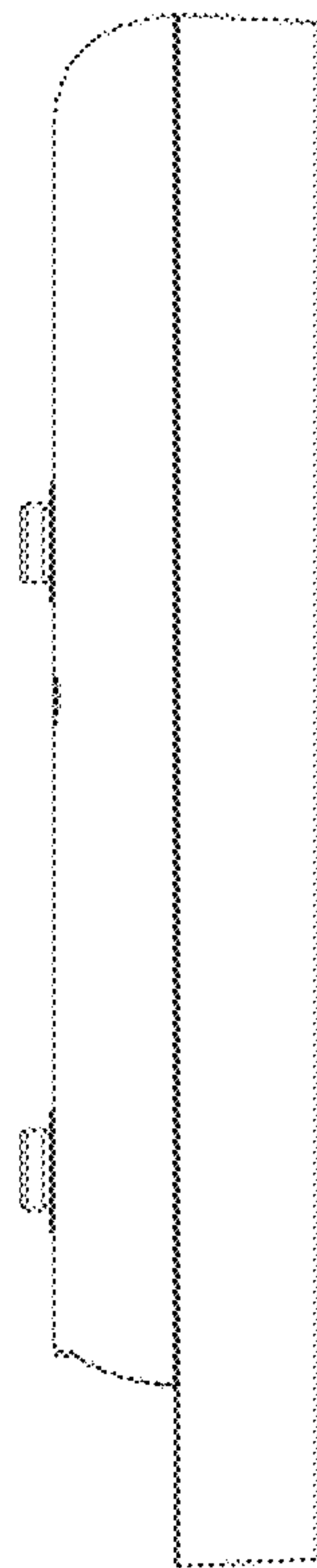


FIG. 5

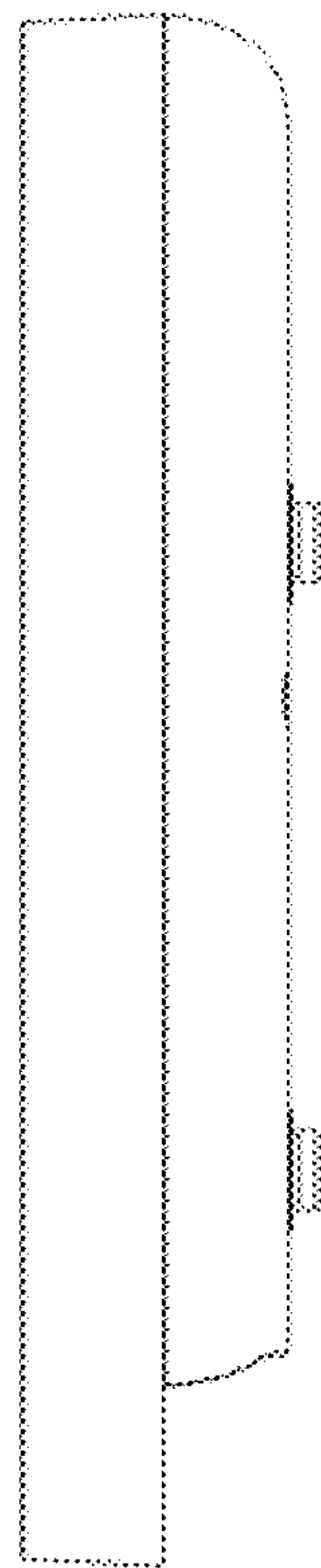


FIG. 6

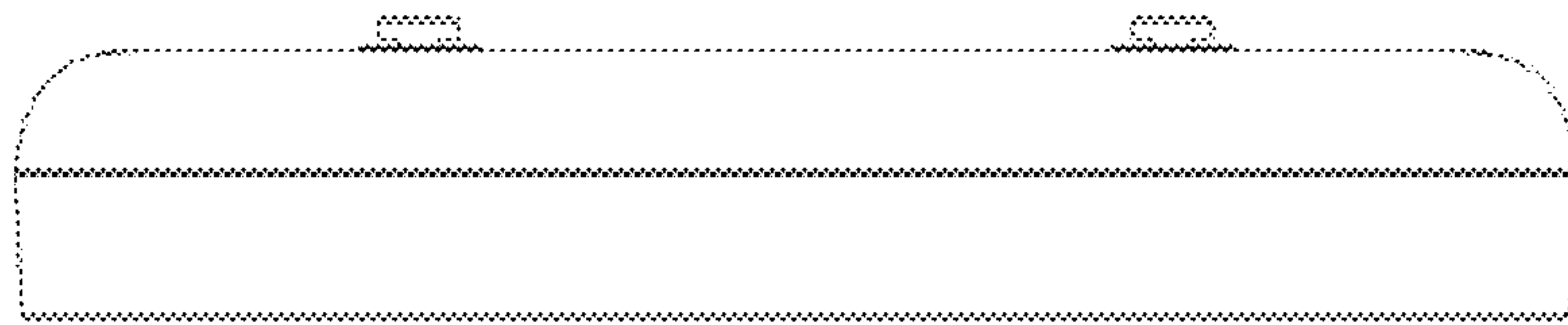


FIG. 7

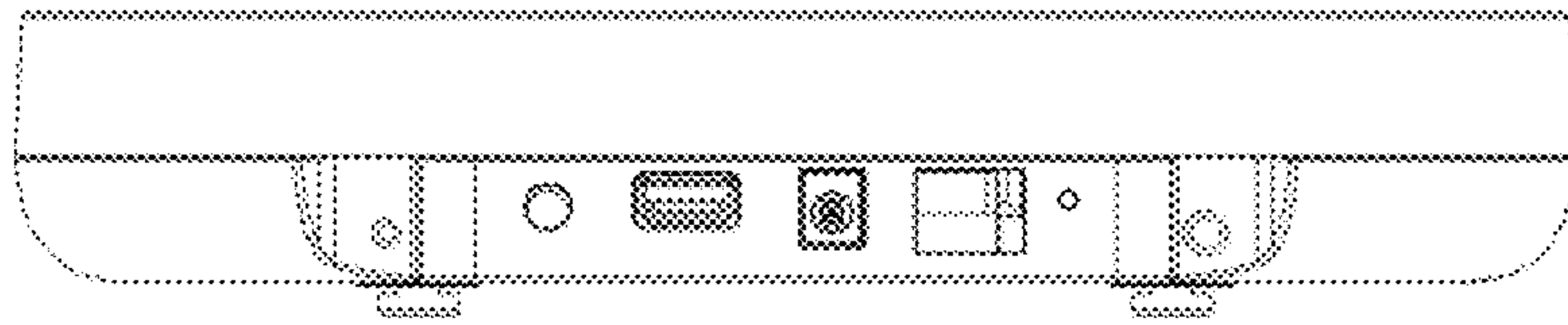


FIG. 8