



US00D937246S

(12) **United States Design Patent**
Li

(10) **Patent No.:** **US D937,246 S**

(45) **Date of Patent:** **** Nov. 30, 2021**

(54) **PAIR OF EARBUDS**

(71) Applicant: **SHENZHEN DASHI SCIENCE AND TECHNOLOGY CO., LTD.**, Shenzhen (CN)

(72) Inventor: **Haoqian Li**, Shenzhen (CN)

(**) Term: **15 Years**

(21) Appl. No.: **29/746,297**

(22) Filed: **Aug. 13, 2020**

(30) **Foreign Application Priority Data**

Jun. 3, 2020 (CN) 202030272325.1

(51) **LOC (13) Cl.** **14-01**

(52) **U.S. Cl.**
USPC **D14/223**

(58) **Field of Classification Search**
USPC D14/223, 205, 206; D24/106, 174;
128/864, 865, 866; 181/129, 130, 135;
379/430, 431; 381/380, 381, 322-324,
381/330; 455/90.3, 575, 1, 569.1
CPC H04R 1/10; H04R 25/00; H04R 1/1016;
H04R 1/1066; H04R 5/033; H04R
5/0335; H04R 1/1091; H04R 1/1058;
H04R 1/105; H04R 1/1083
See application file for complete search history.

(56) **References Cited**

U.S. PATENT DOCUMENTS

D860,976 S * 9/2019 Zhang D14/223
D883,260 S * 5/2020 Hu D14/223
D887,396 S * 6/2020 Wang D14/223
D893,462 S * 8/2020 Liu D14/223

D894,875 S * 9/2020 Zhao D14/223
D895,579 S * 9/2020 Yang D14/223
D895,582 S * 9/2020 Wu D14/223
D896,207 S * 9/2020 He D14/223
D904,351 S * 12/2020 Zhang D14/223
D905,018 S * 12/2020 Zhu D14/223
D907,008 S * 1/2021 Yao D14/223
D907,606 S * 1/2021 Lin D14/223
D914,646 S * 3/2021 Yang D14/223

* cited by examiner

Primary Examiner — Katie Jane Stofko

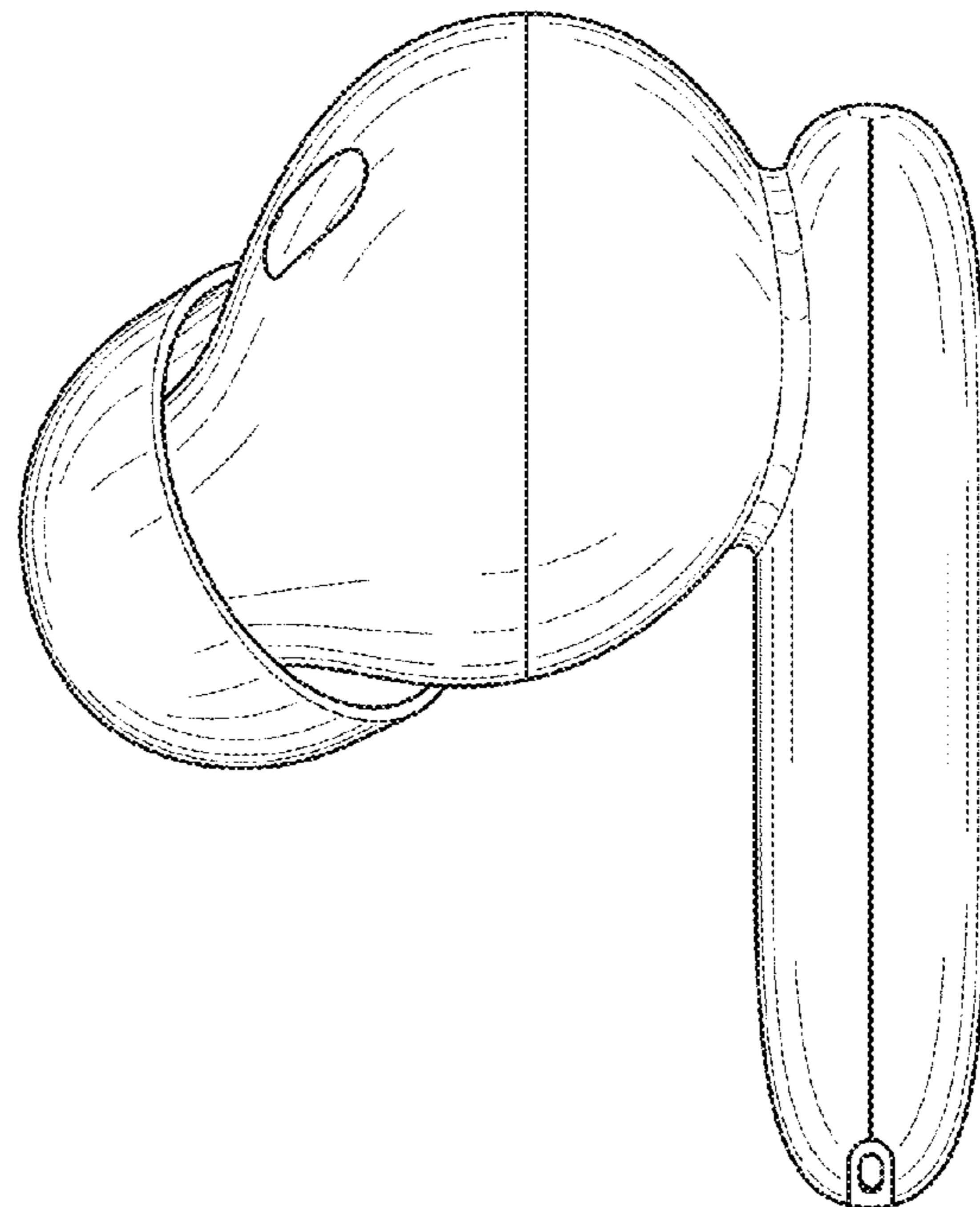
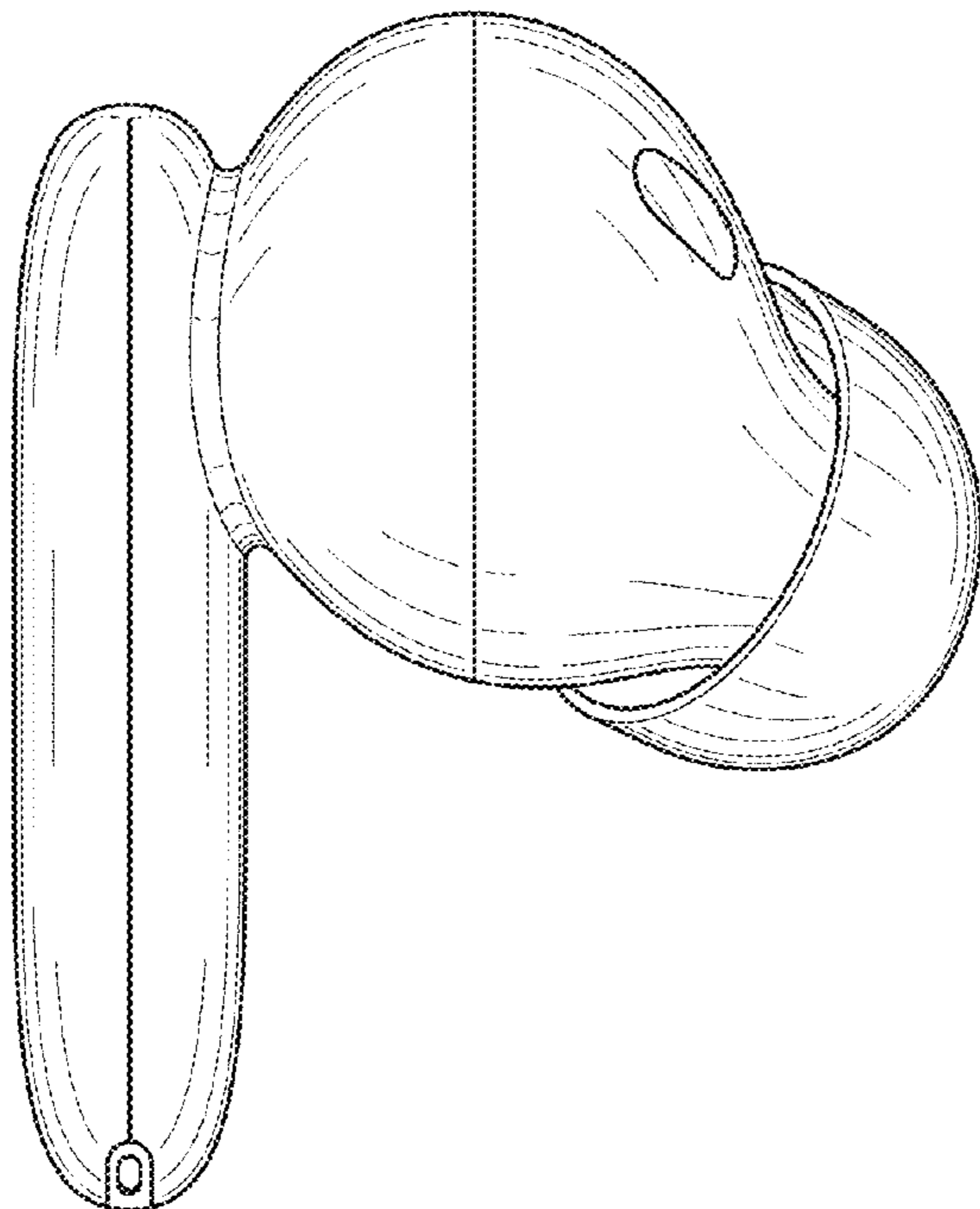
(57) **CLAIM**

The ornamental design for a pair of earbuds, as shown and described.

DESCRIPTION

FIG. 1 is a front elevation view of a pair of earbuds, showing my new design;
FIG. 2 is a right side elevation view thereof of the left earbud, the right earbud being a mirror image thereof;
FIG. 3 is a left side elevation view thereof of the left earbud, the right earbud being a mirror image thereof;
FIG. 4 is a rear elevation view thereof of the left earbud, the right earbud being a mirror image thereof;
FIG. 5 is a top plan view thereof of the left earbud, the right earbud being a mirror image thereof;
FIG. 6 is a bottom plan view thereof of the left earbud, the right earbud being a mirror image thereof; and,
FIG. 7 is a left side, rear perspective view thereof of the left earbud, the right earbud being a mirror image thereof.
The broken lines depict portions of the pair of earbuds in which the design is embodied that form no part of the claimed design.

1 Claim, 7 Drawing Sheets



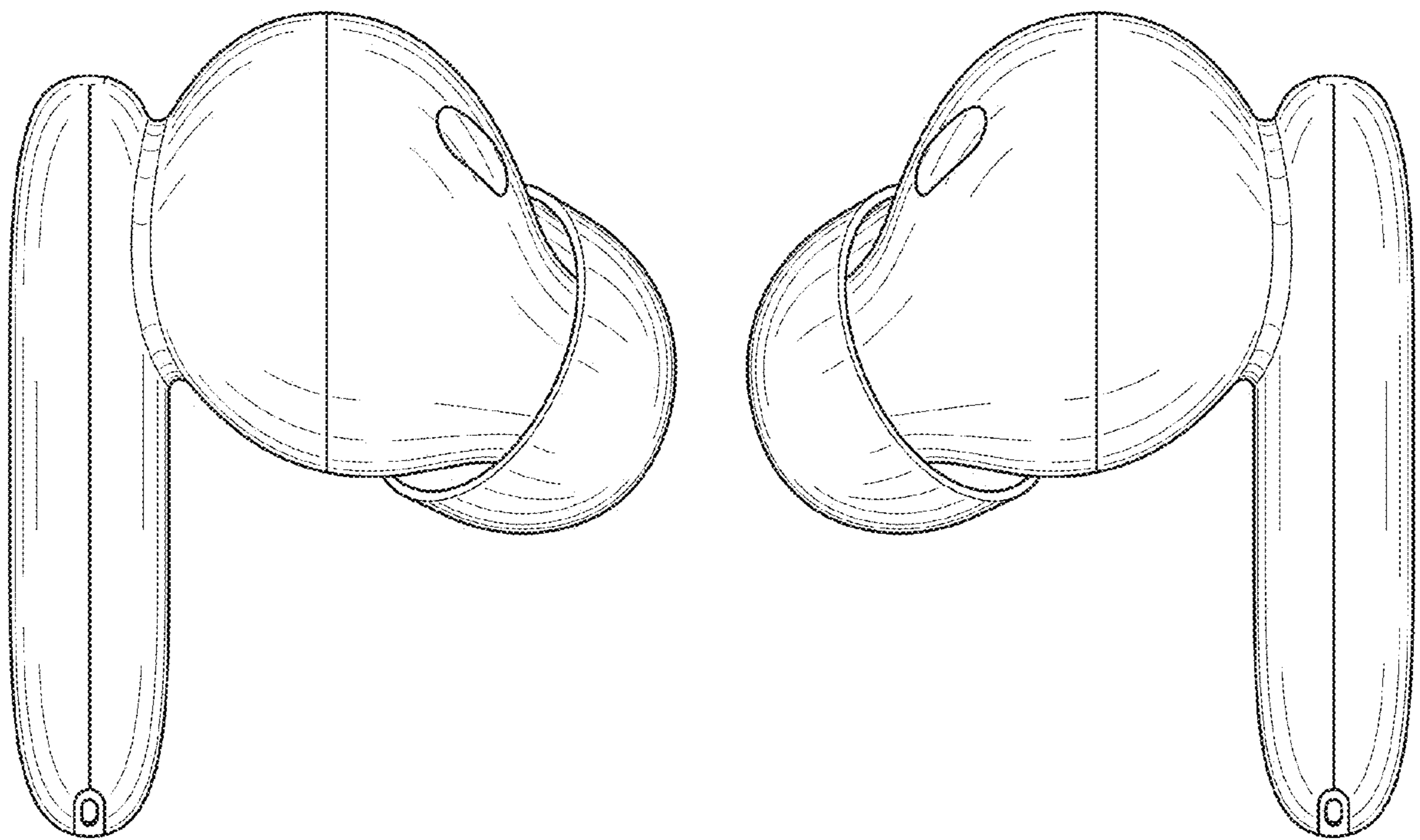


FIG. 1

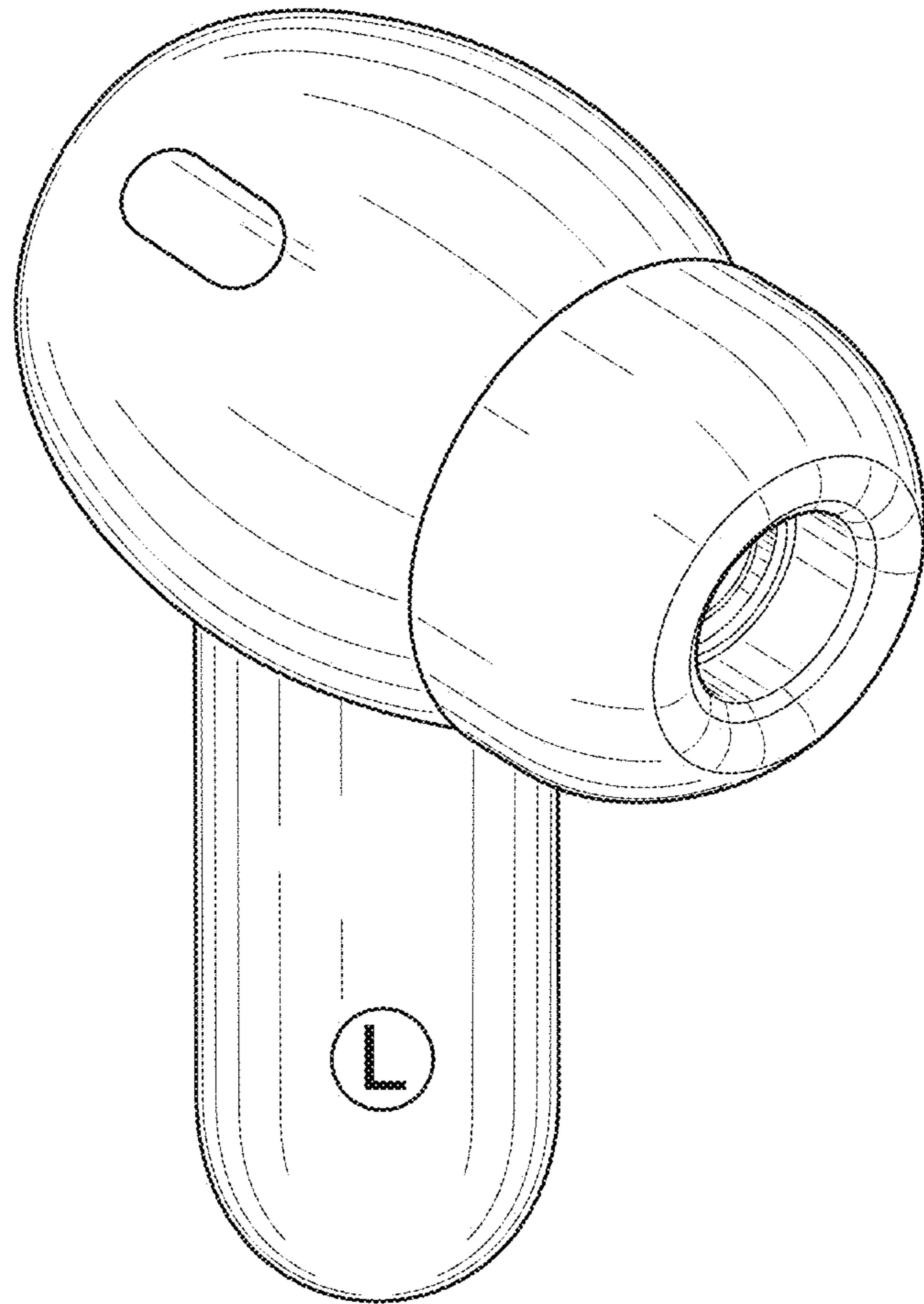


FIG. 2

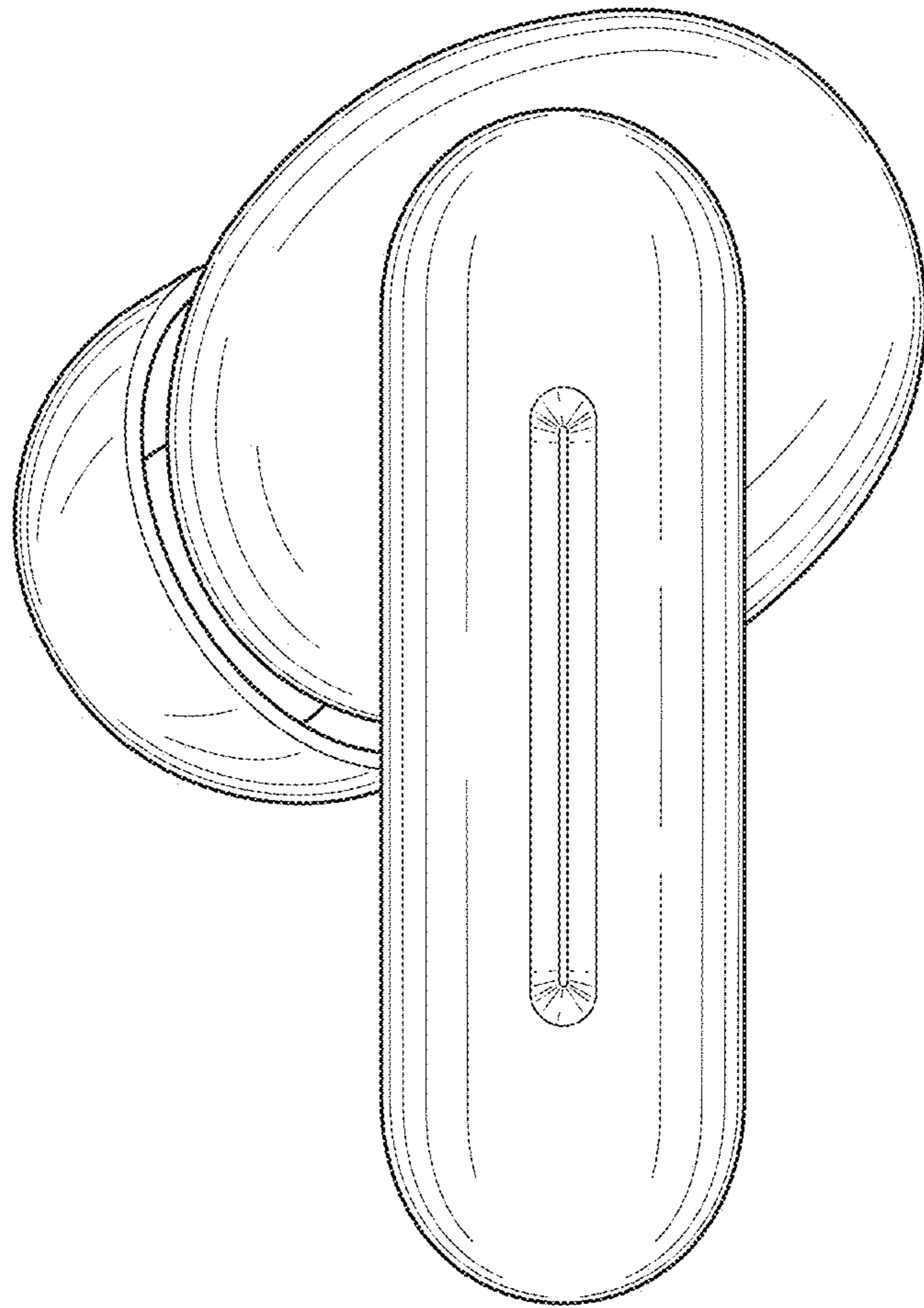


FIG. 3

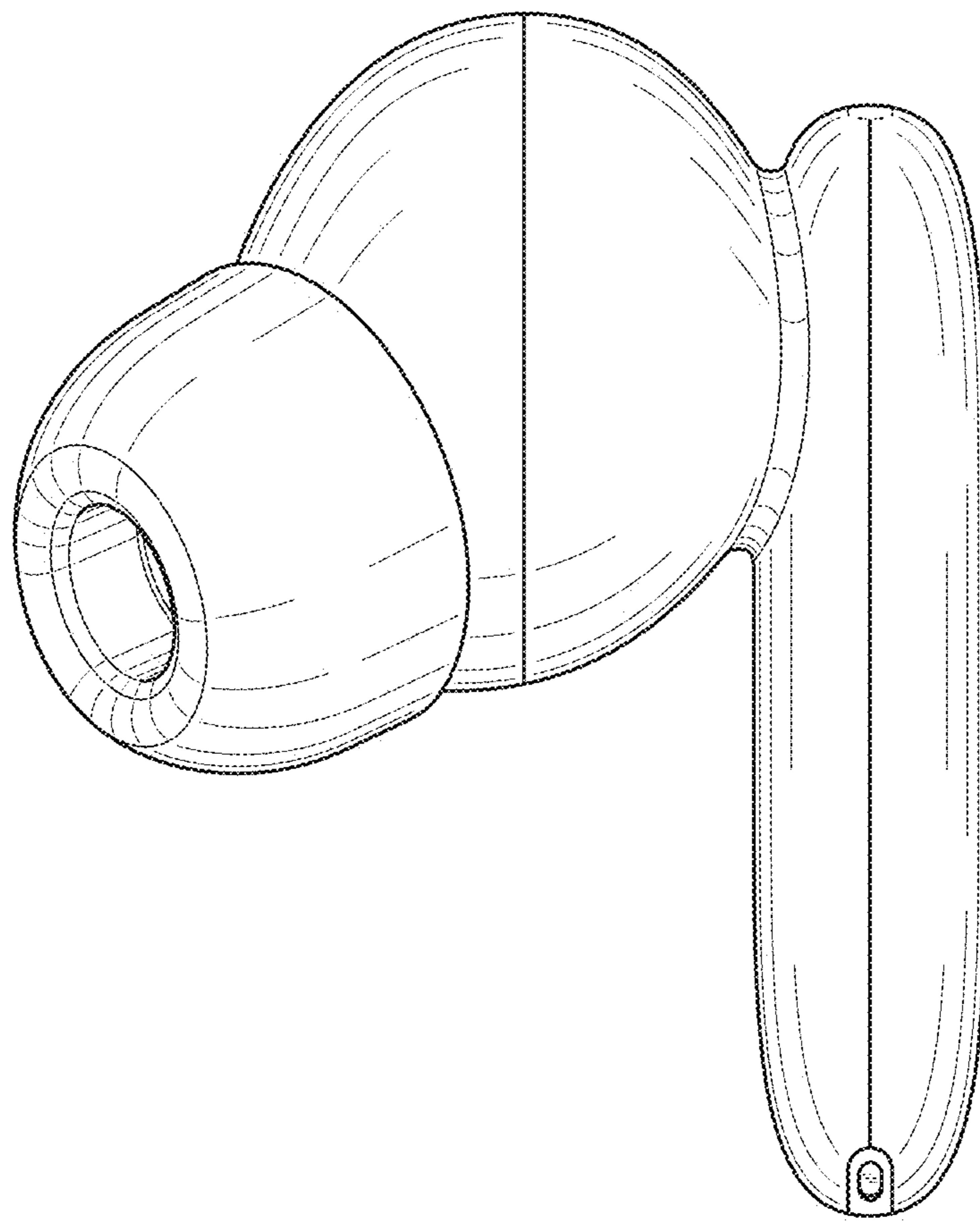


FIG. 4

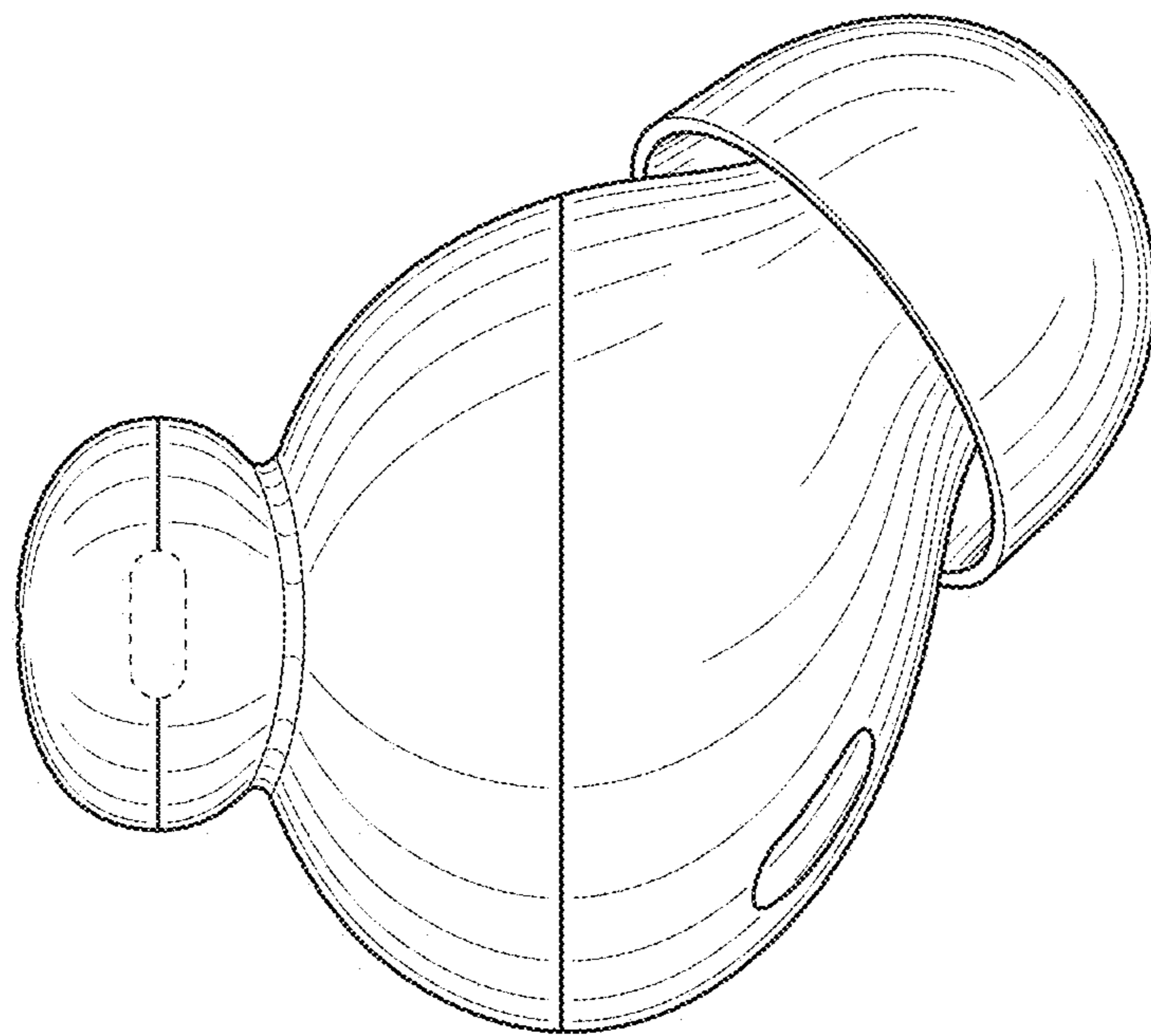


FIG. 5

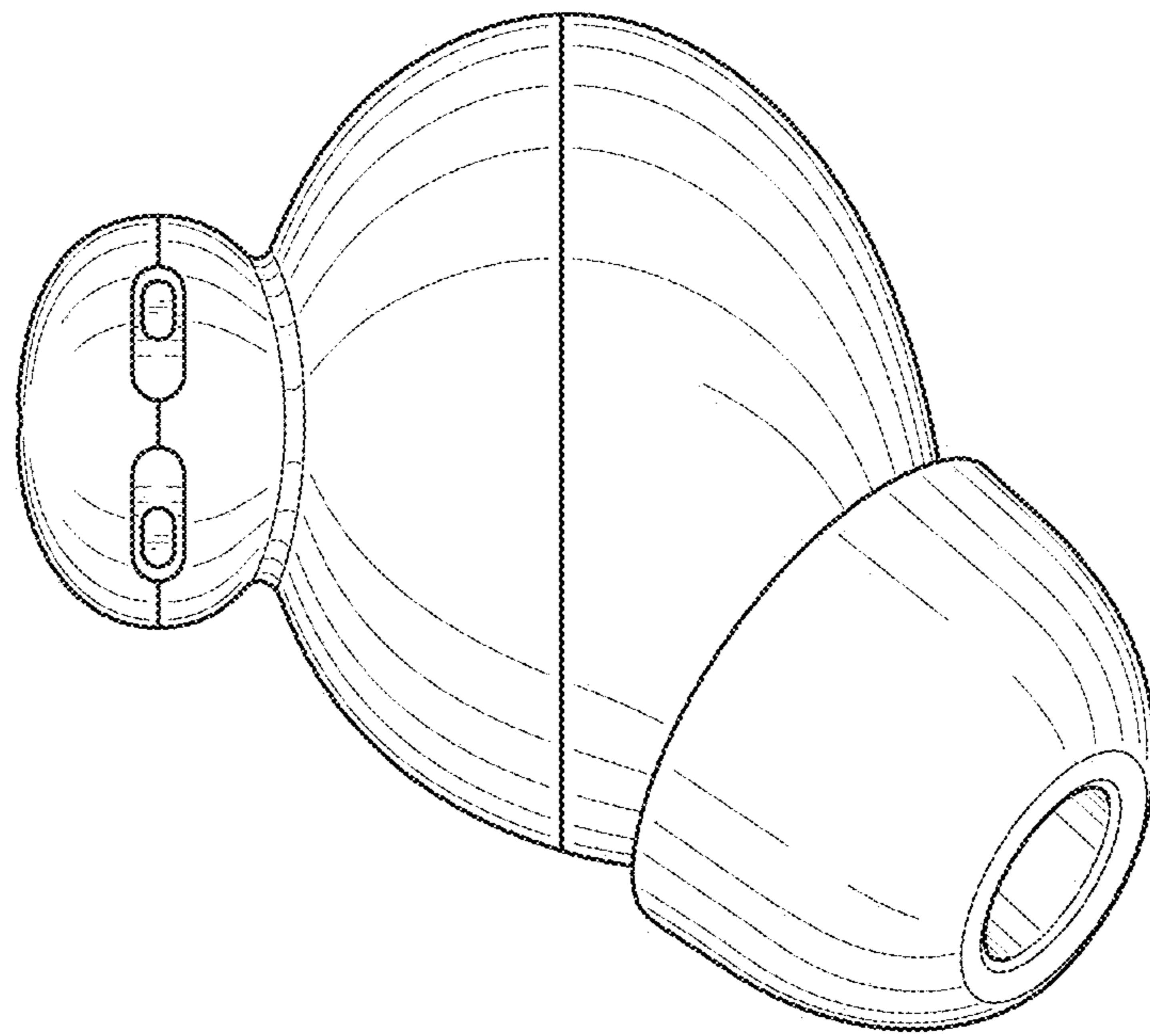


FIG. 6

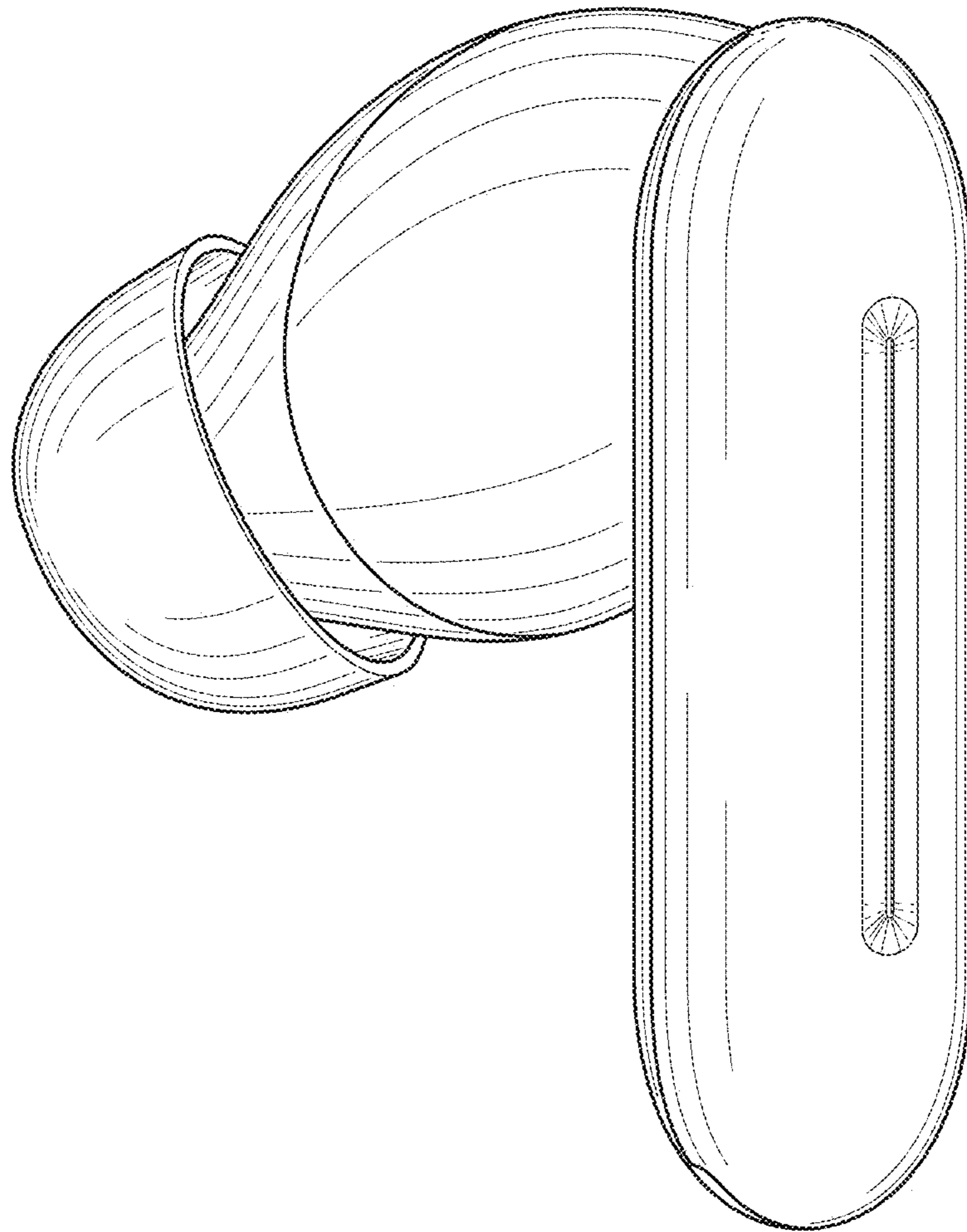


FIG. 7