



US00D937245S

(12) **United States Design Patent**
Horiuchi et al.

(10) **Patent No.:** **US D937,245 S**

(45) **Date of Patent:** **** Nov. 30, 2021**

(54) **SPEAKER**

(71) Applicant: **PIONEER CORPORATION**, Tokyo (JP)

(72) Inventors: **Yuto Horiuchi**, Tokyo (JP); **Maho Miyamoto**, Tokyo (JP)

(73) Assignee: **PIONEER CORPORATION**, Tokyo (JP)

(**) Term: **15 Years**

(21) Appl. No.: **29/696,435**

(22) Filed: **Jun. 27, 2019**

(30) **Foreign Application Priority Data**

Dec. 27, 2018 (JP) 2018-028584

(51) **LOC (13) Cl.** **14-01**

(52) **U.S. Cl.**
USPC **D14/219**; D14/216

(58) **Field of Classification Search**
USPC D14/167, 168, 170–172, 188, 194–196,
D14/204, 209.1, 210–216, 219, 221, 222,
D14/224, 239, 496

CPC B60R 11/0217; G06F 1/1688; G10K 9/22;
G10K 11/004; H03F 1/327; H04M 1/03;
H04M 1/035; H04N 5/642; H04N
21/4852; H04R 1/02; H04R 1/06; H04R
1/021; H04R 1/025; H04R 1/026; H04R
1/028; H04R 1/105; H04R 1/323; H04R
1/403; H04R 1/2803; H04R 1/2834;
H04R 5/02; H04R 7/20; H04R 9/06;
H04R 9/025; H04R 2201/021; H04R
2400/00; H04R 2400/07; H04R 2499/11;
H04R 2499/13; H04R 2499/15; H04S
3/00; H04S 7/30

See application file for complete search history.

(56) **References Cited**

U.S. PATENT DOCUMENTS

D248,395 S * 7/1978 Barbera D14/219
D317,159 S * 5/1991 Kurata D14/216

D317,160 S * 5/1991 Kurata D14/216
D440,559 S * 4/2001 Ballard D14/219
D652,021 S * 1/2012 Miyawaki D14/216
D652,022 S * 1/2012 Miyawaki D14/216
D676,020 S * 2/2013 Matsumura D14/204
D926,722 S * 8/2021 Kitamura D14/204

FOREIGN PATENT DOCUMENTS

JP 1201053 4/2004
JP 1201608 4/2004
JP 1407120 1/2011
JP 1406730 2/2011
JP 1471561 5/2013

* cited by examiner

Primary Examiner — Keli L Hill

(74) *Attorney, Agent, or Firm* — Procopio, Cory,
Hargreaves & Savitch, LLP

(57) **CLAIM**

The ornamental design for the speaker, as shown and described.

DESCRIPTION

FIG. 1 is a perspective view of a speaker showing our new design;

FIG. 2 is a front view thereof;

FIG. 3 is a rear view thereof;

FIG. 4 is a top view thereof;

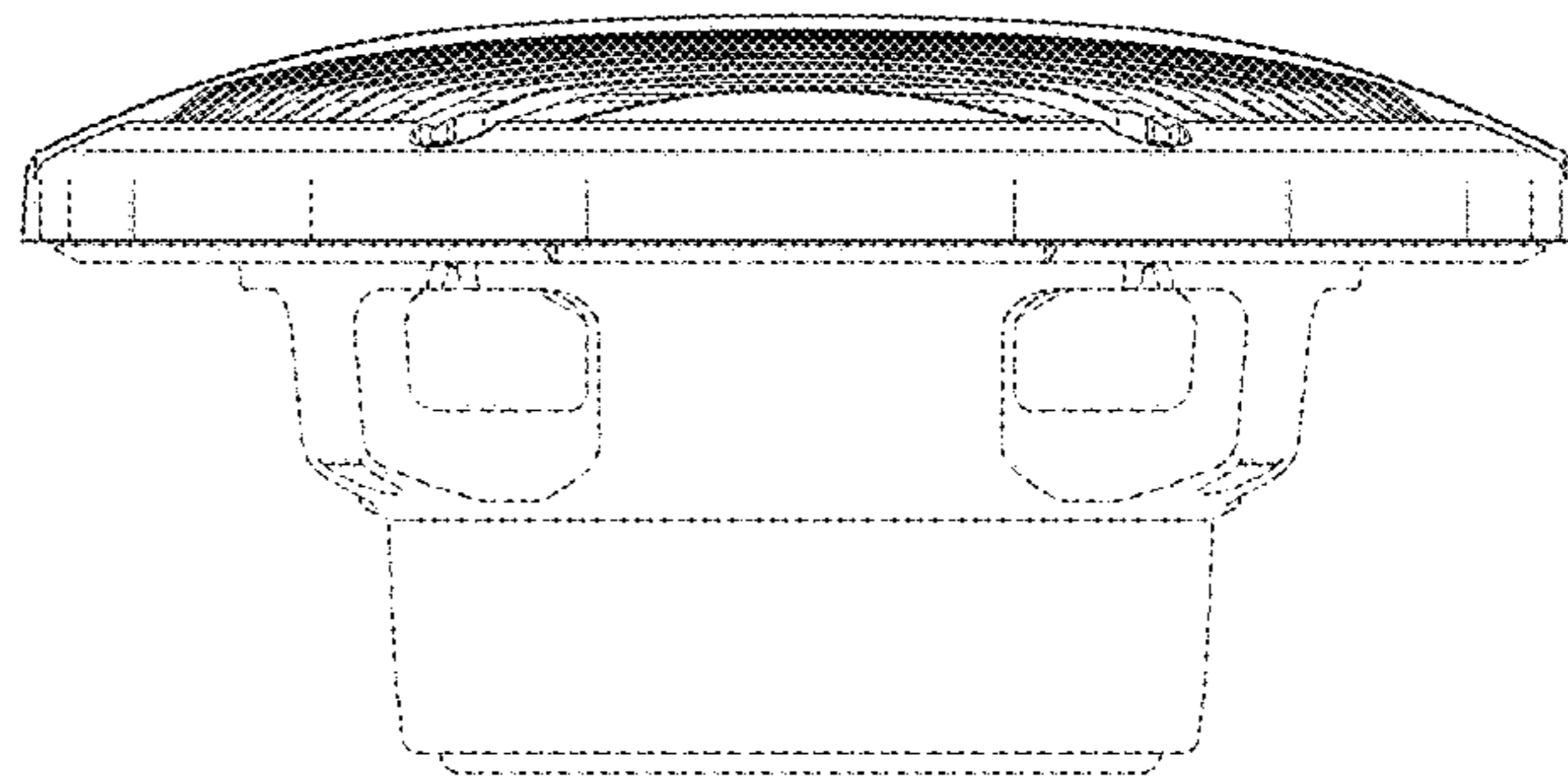
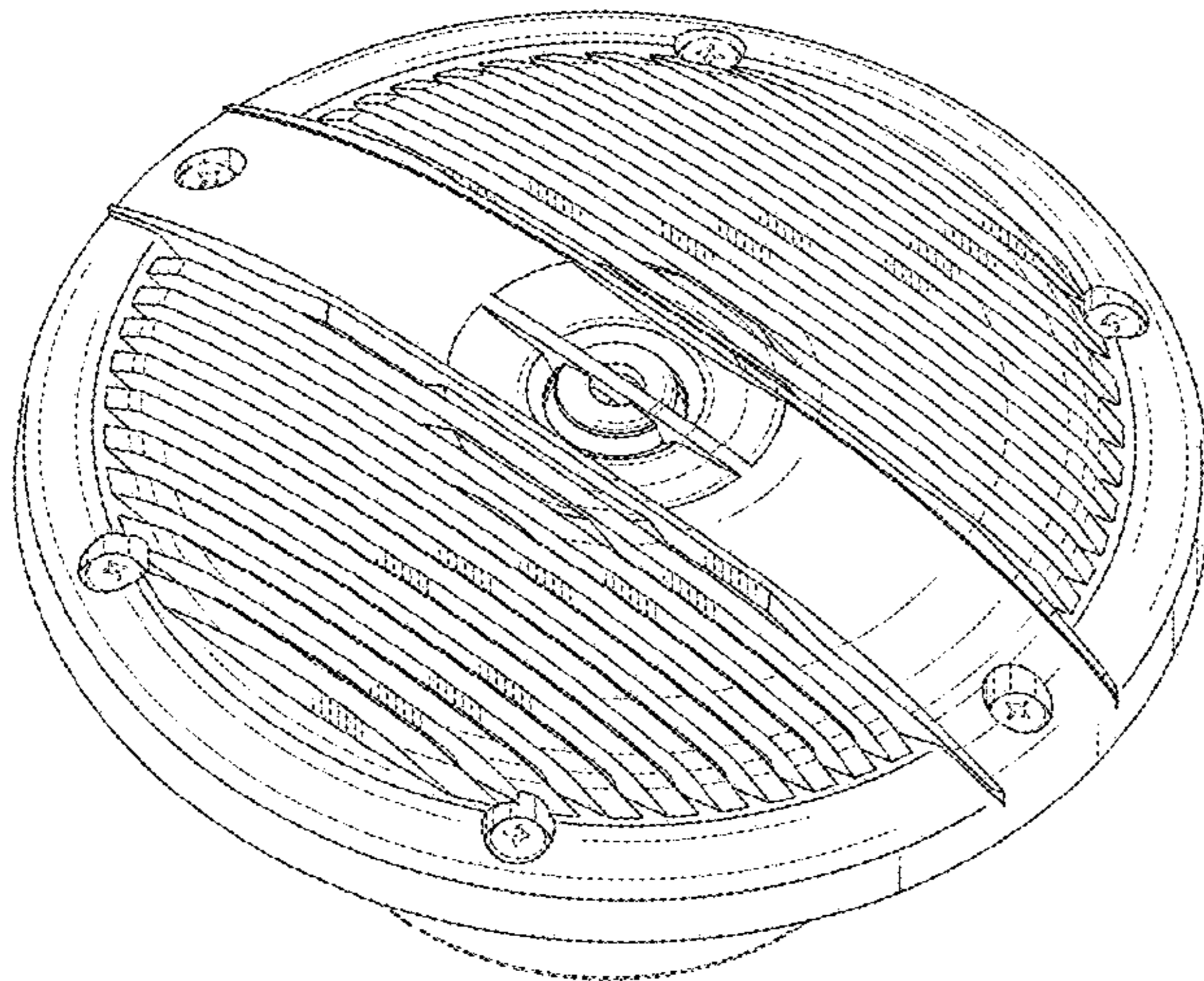
FIG. 5 is a bottom view thereof;

FIG. 6 is a right side view thereof; and,

FIG. 7 is a left side view thereof.

The broken lines adjacent the shaded areas represent the bounds of the claimed design while all other broken lines are directed to environment and are for illustrative purposes only; the broken lines form no part of the claimed design.

1 Claim, 7 Drawing Sheets



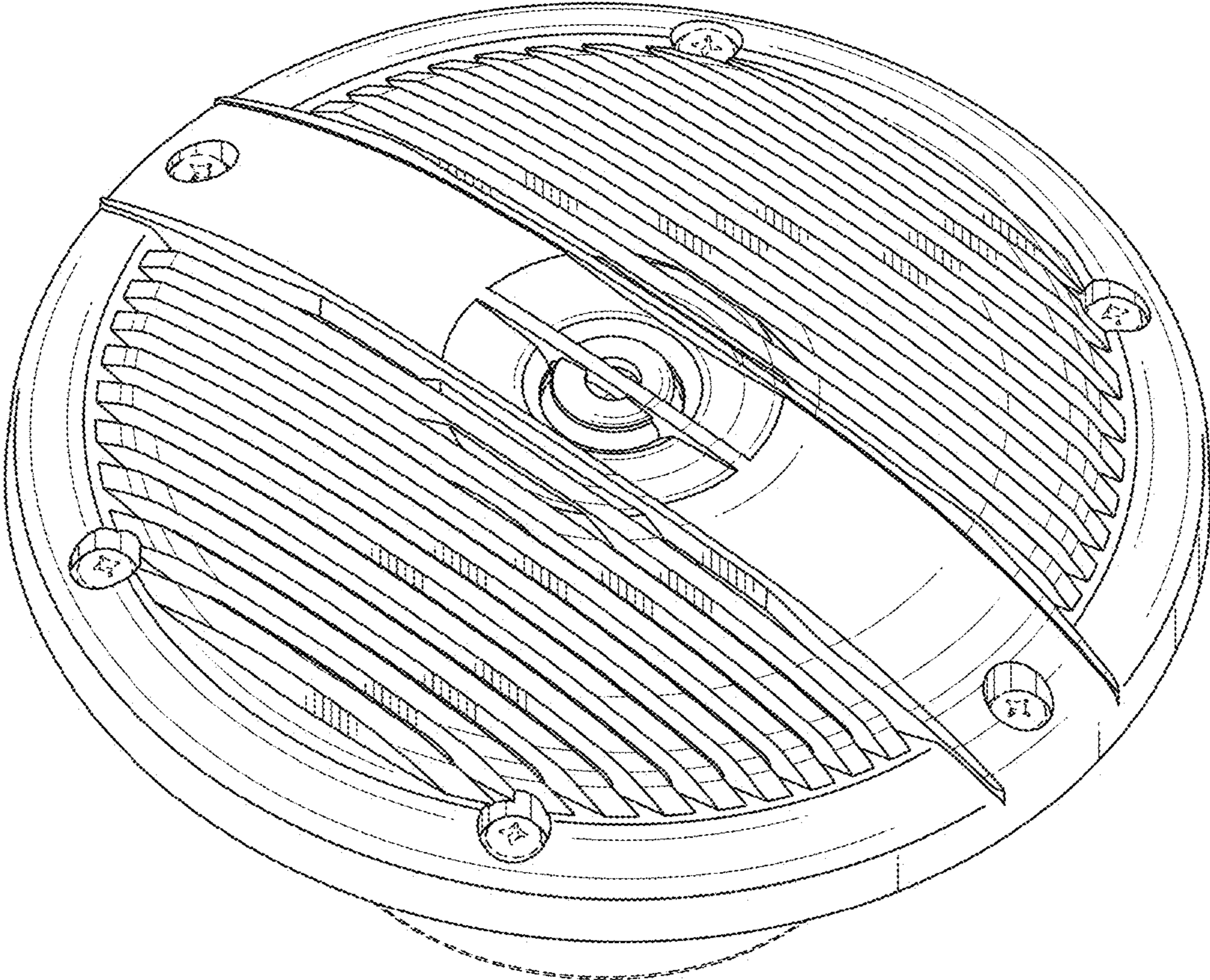


FIG. 1

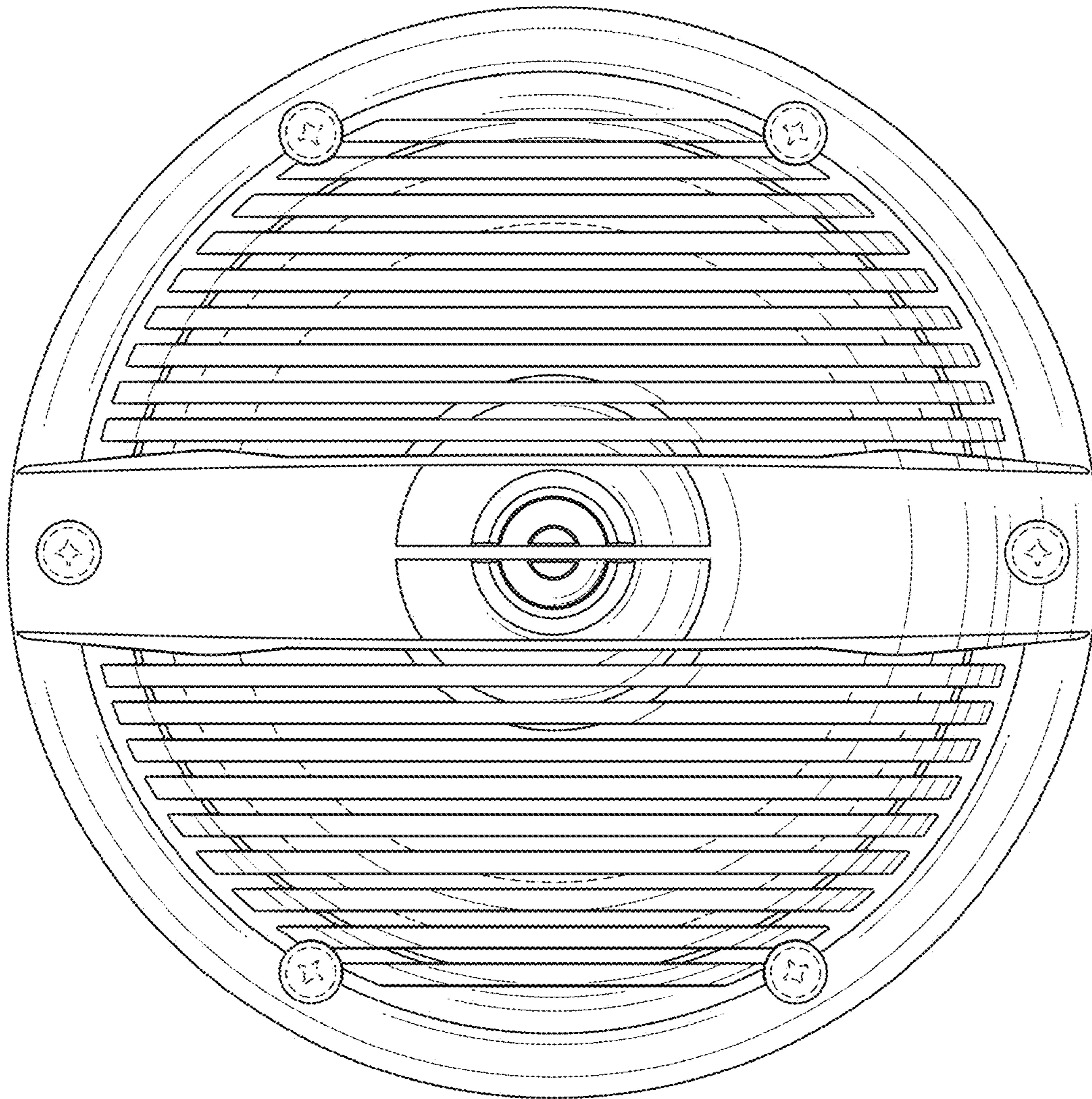


FIG. 2

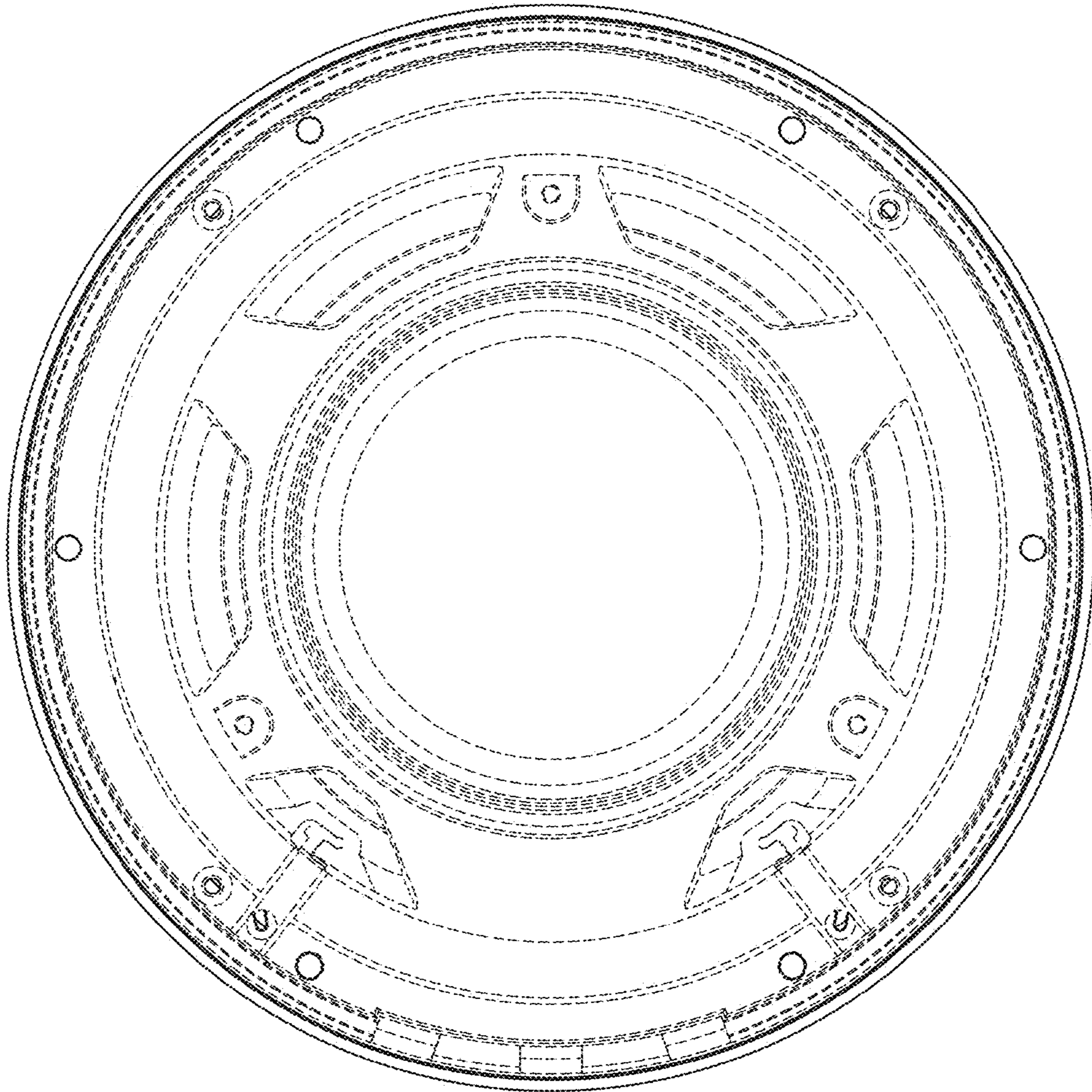


FIG. 3

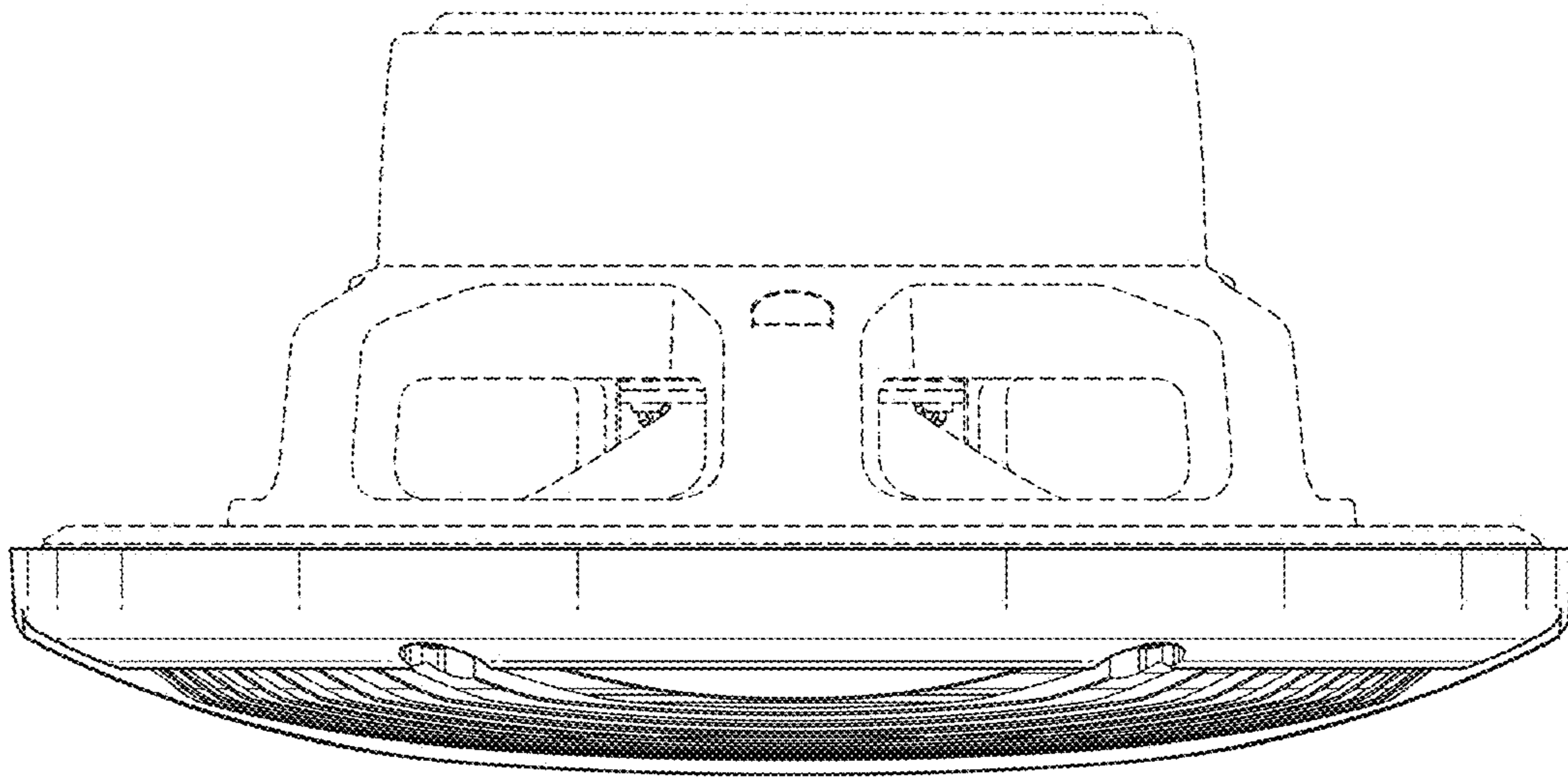


FIG. 4

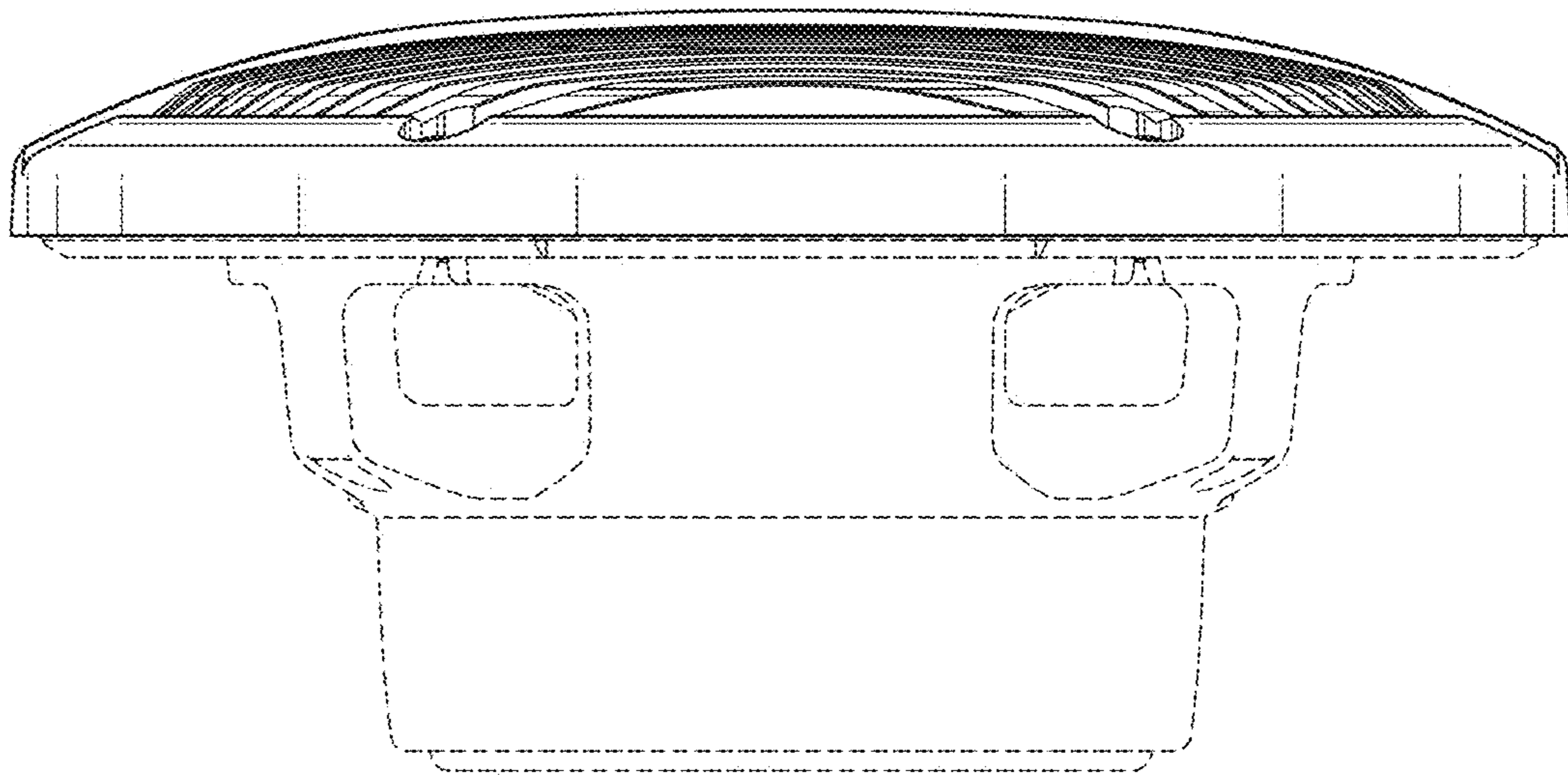


FIG. 5

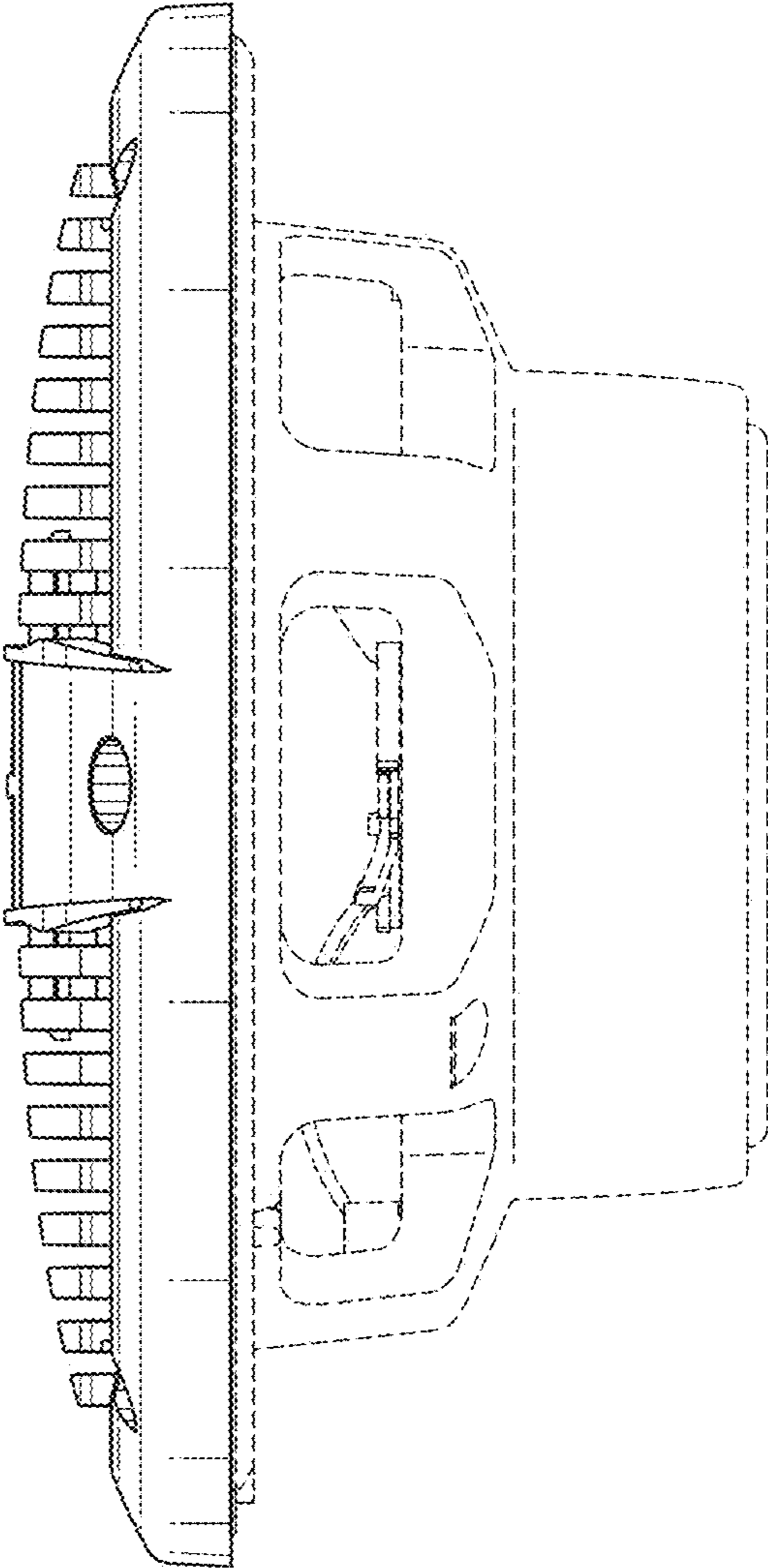


FIG. 6

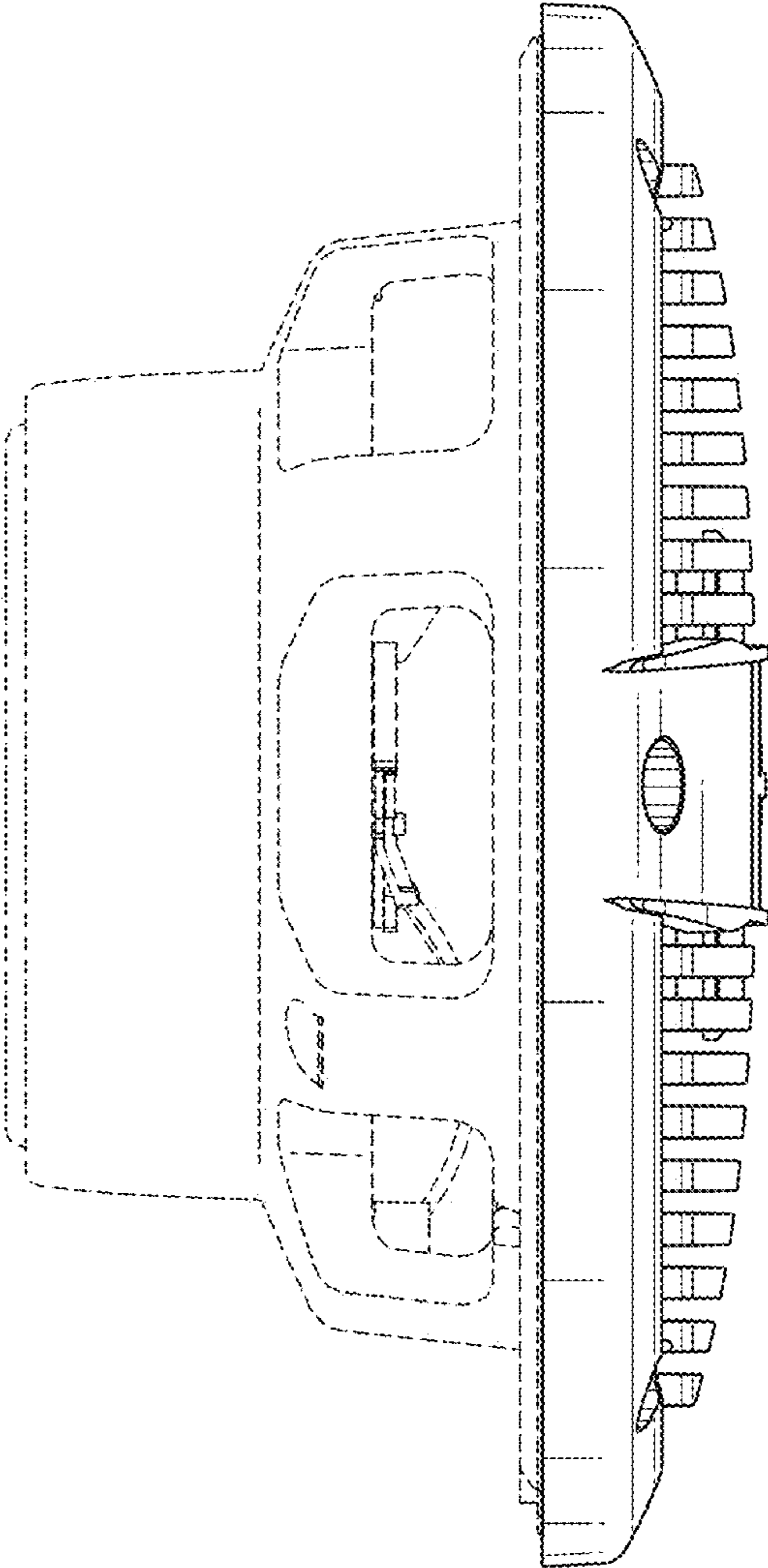


FIG. 7