



US00D937244S

(12) **United States Design Patent** (10) **Patent No.:** **US D937,244 S**  
**Lorenzen** (45) **Date of Patent:** **\*\* Nov. 30, 2021**

(54) **SOUND BAR**  
(71) Applicant: **Grace Digital Inc.**, Poway, CA (US)  
(72) Inventor: **Jonathan Lorenzen**, San Diego, CA (US)  
(73) Assignee: **Grace Digital Inc.**, Poway, CA (US)  
(\*\*) Term: **15 Years**  
(21) Appl. No.: **29/748,608**  
(22) Filed: **Aug. 31, 2020**  
(51) **LOC (13) Cl.** ..... **14-01**  
(52) **U.S. Cl.**  
USPC ..... **D14/216**  
(58) **Field of Classification Search**  
USPC ..... D14/167, 168, 170–172, 188, 194–196, D14/204, 209.1, 210–216, 219, 221, 222, D14/224, 239, 496  
CPC ..... B60R 11/0217; G06F 1/1688; G10K 9/22; G10K 11/004; H03F 1/327; H04M 1/03; H04M 1/035; H04N 5/642; H04N 21/4852; H04R 1/02; H04R 1/06; H04R 1/021; H04R 1/025; H04R 1/026; H04R 1/028; H04R 1/105; H04R 1/323; H04R 1/403; H04R 1/2803; H04R 1/2834; H04R 5/02; H04R 7/20; H04R 9/06; H04R 9/025; H04R 2201/021; H04R 2400/00; H04R 2400/07; H04R 2499/11; H04R 2499/13; H04R 2499/15; H04S 3/00; H04S 7/30  
See application file for complete search history.

(56) **References Cited**  
U.S. PATENT DOCUMENTS  
D328,901 S 8/1992 Haruyama  
5,191,177 A \* 3/1993 Chi ..... B60R 11/0217 181/153  
D384,350 S 9/1997 Nuevo

D392,640 S 3/1998 Tully et al.  
D551,656 S 9/2007 Ritscher et al.  
D553,121 S \* 10/2007 Gondo ..... H04R 1/403 D14/168  
D555,636 S \* 11/2007 Chen ..... D14/216  
D571,359 S 6/2008 Chang  
D676,418 S \* 2/2013 Suzuki ..... D14/209.1  
D677,244 S \* 3/2013 Funayama ..... D14/209.1  
D694,215 S 11/2013 Birger  
(Continued)

**FOREIGN PATENT DOCUMENTS**

EM 000516745-0001 6/2006  
EM 002160093-0001 1/2013  
(Continued)

**OTHER PUBLICATIONS**

Ele Eleoption, 16W Portable Column Bluetooth Speaker Move KTV 3D Sound System Sound Bar Subwoofer Music Wireless Speaker FM Radio USB—United States—Black.  
(Continued)

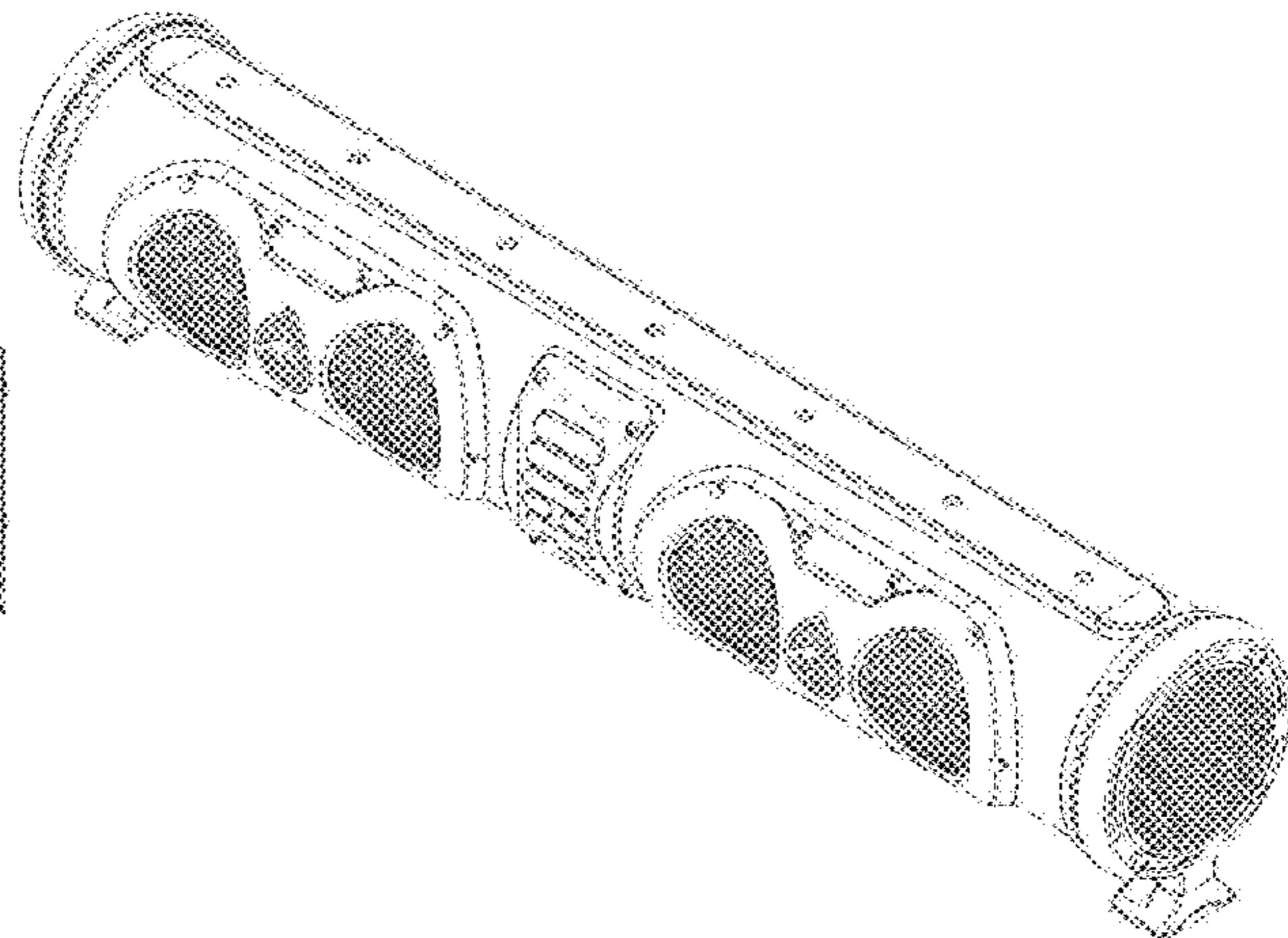
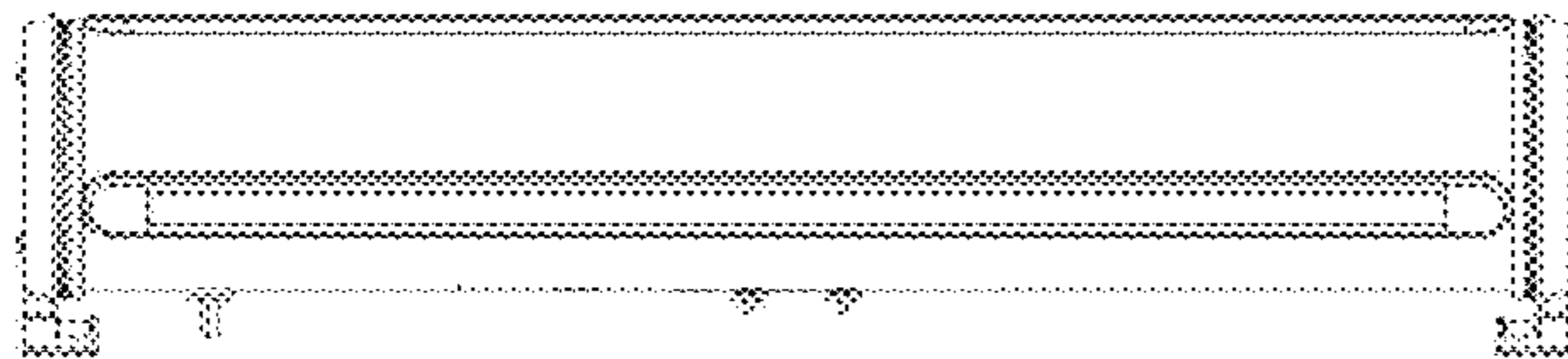
*Primary Examiner* — Keli L Hill  
(74) *Attorney, Agent, or Firm* — Genius Patent APC; Bruce Angus Hare

(57) **CLAIM**  
The ornamental design for a sound bar, as shown and described.

**DESCRIPTION**

FIG. 1 illustrates a front elevation view of a sound bar showing the new design;  
FIG. 2 illustrates a rear elevation view thereof;  
FIG. 3 illustrates a left side elevation view thereof;  
FIG. 4 illustrates a right side elevation view thereof;  
FIG. 5 illustrates a top plan view thereof;  
FIG. 6 illustrates a bottom plan view thereof; and,  
FIG. 7 illustrates a front-top-right perspective view thereof.

**1 Claim, 7 Drawing Sheets**



(56)

**References Cited**

U.S. PATENT DOCUMENTS

D716,265 S \* 10/2014 Park ..... D14/215  
D742,358 S 11/2015 Alves et al.  
D765,618 S 9/2016 Alves et al.  
D848,397 S 5/2019 Alves et al.  
D868,033 S 11/2019 Luo  
10,471,903 B1 \* 11/2019 Jordan ..... H04R 1/403  
D893,455 S \* 8/2020 Winton ..... B60R 11/0217  
D14/212

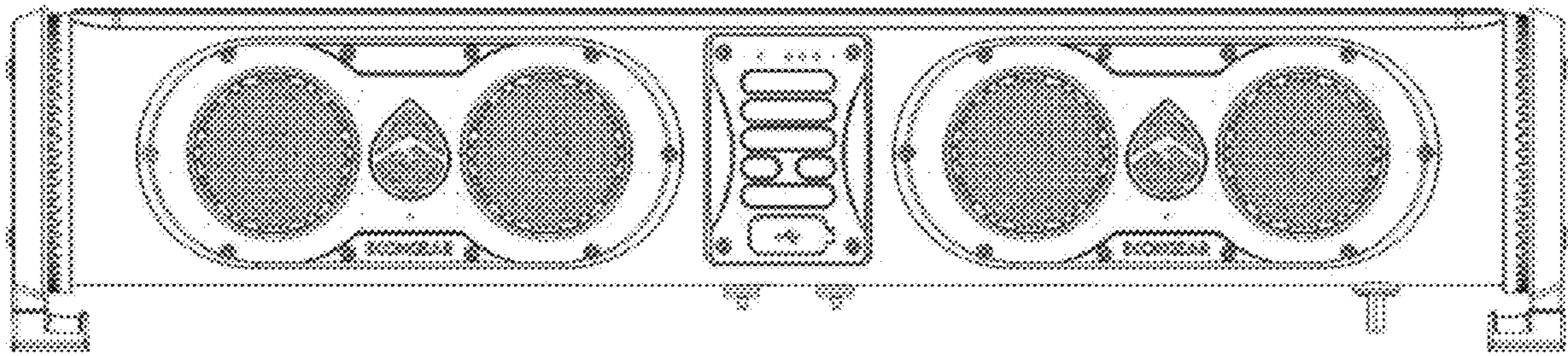
FOREIGN PATENT DOCUMENTS

EM 004536399-0001 12/2017  
EM 005328598-0003 7/2018  
EM 006624086-0001 7/2019  
EM 007075163-0006 10/2019  
EM 008039853-0006 8/2020

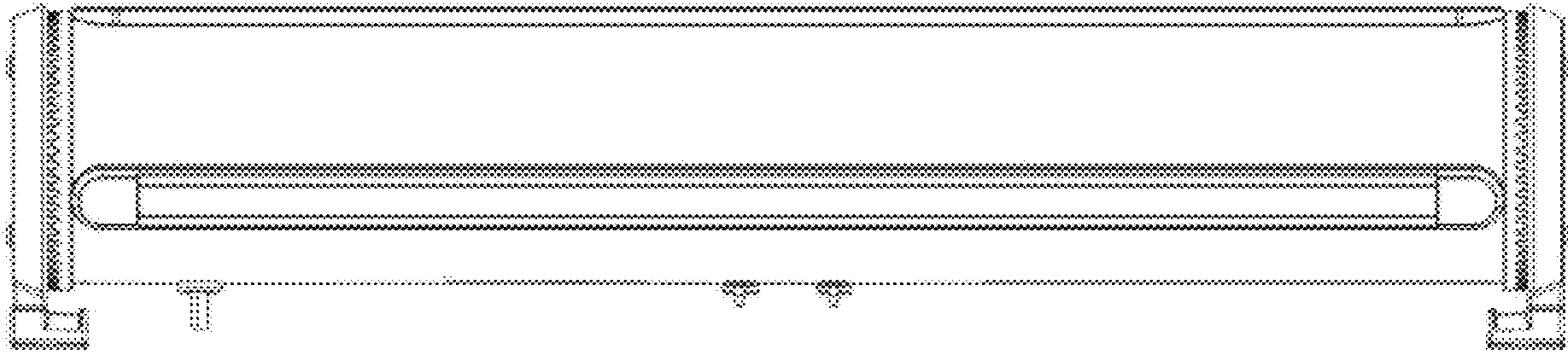
OTHER PUBLICATIONS

Crutchfield, Bazooka BPB24-DS-G2 Party Bar.  
Bosbos, Cannon Wireless Speaker.  
310Audio, Rechargeable Bazooka Speaker With Bluetooth and  
Sound Activated Lights.  
ET, Wireless Bluetooth Speaker, Outdoor Stereo Speaker Bass Sound  
With Power Bank Bluetooth 4.2 Stereo Subwoofer Portable Speak-  
ers With FM Radio and TF Card Slot.  
Crutchfield, Bazooka BPB24-G2 Party Bar.

\* cited by examiner

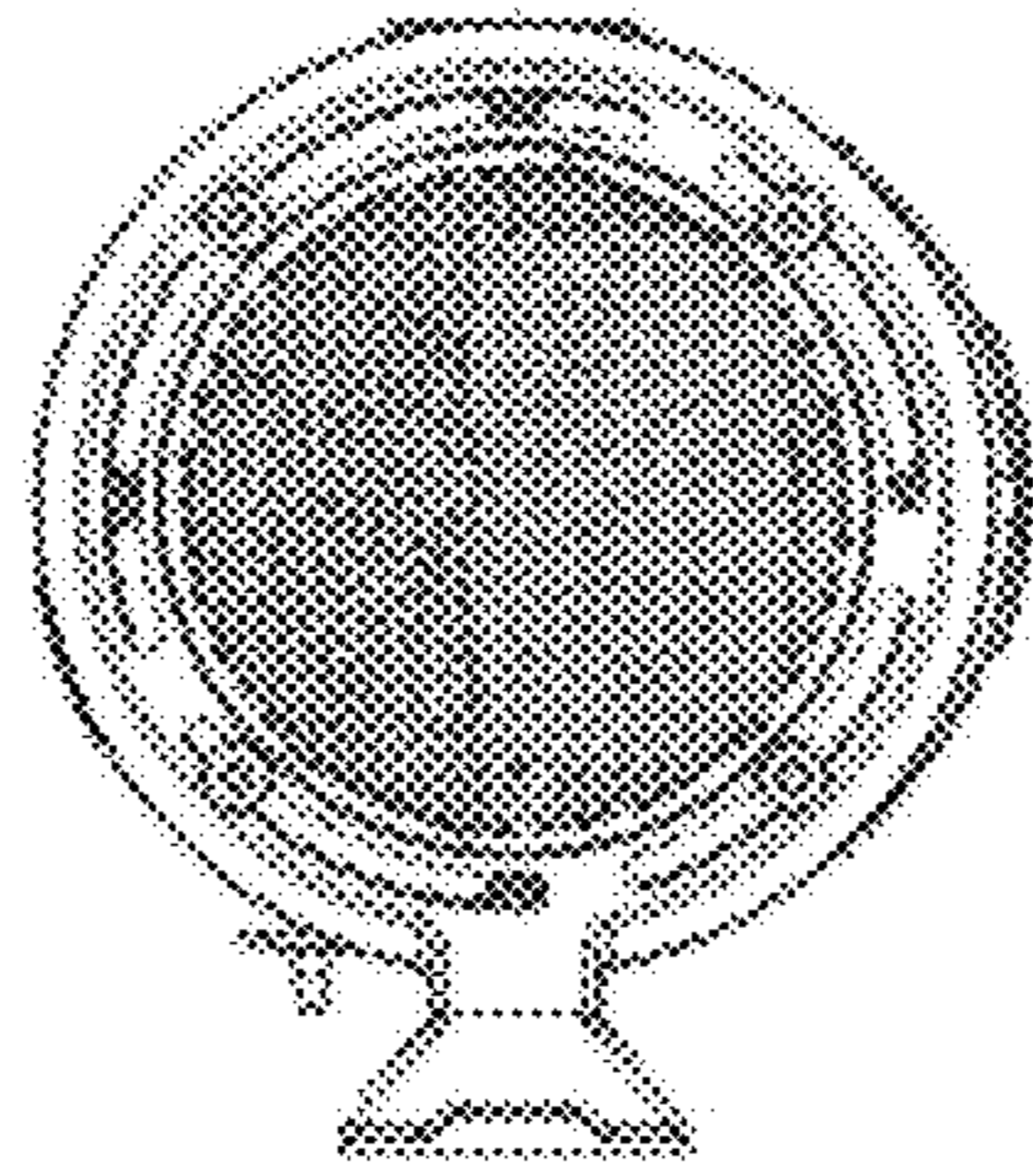


**FIG. 1**

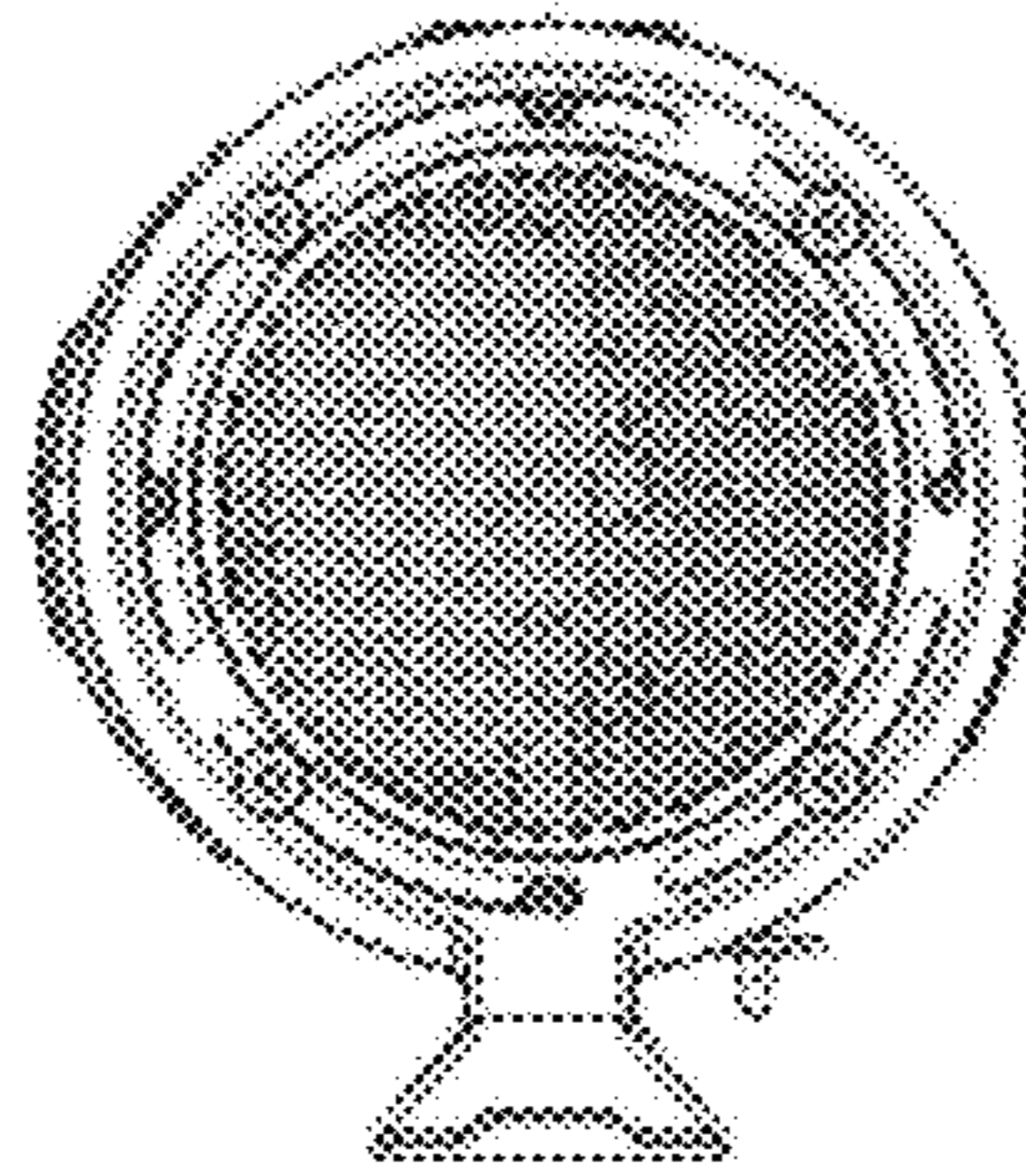


**FIG. 2**

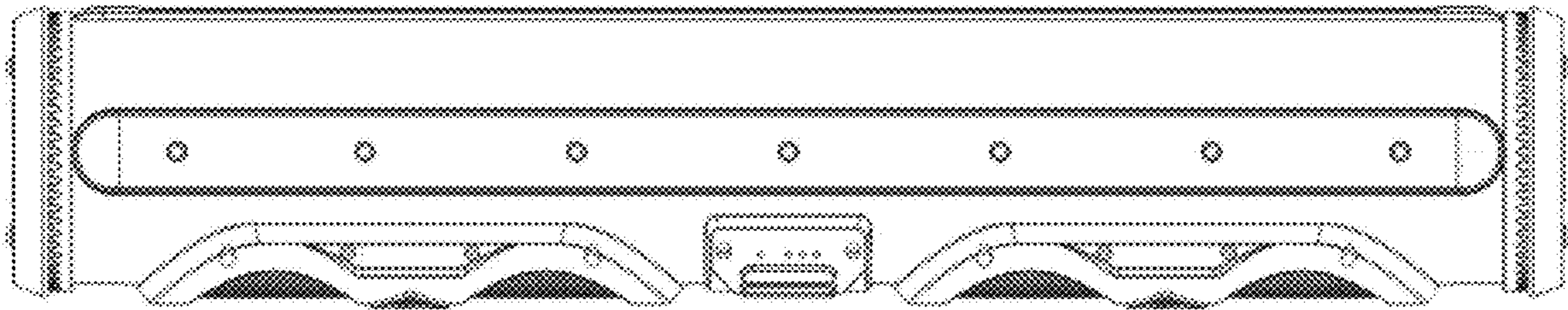




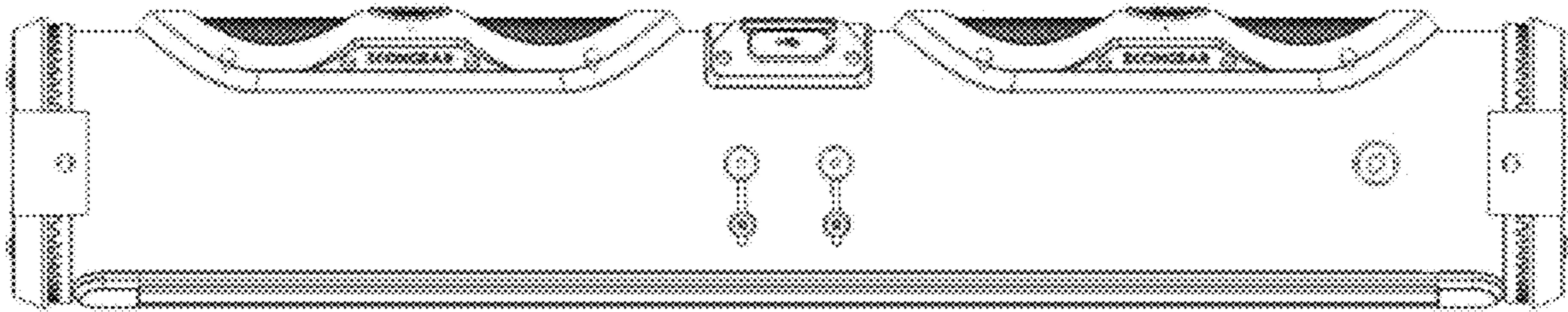
**FIG. 3**



**FIG. 4**

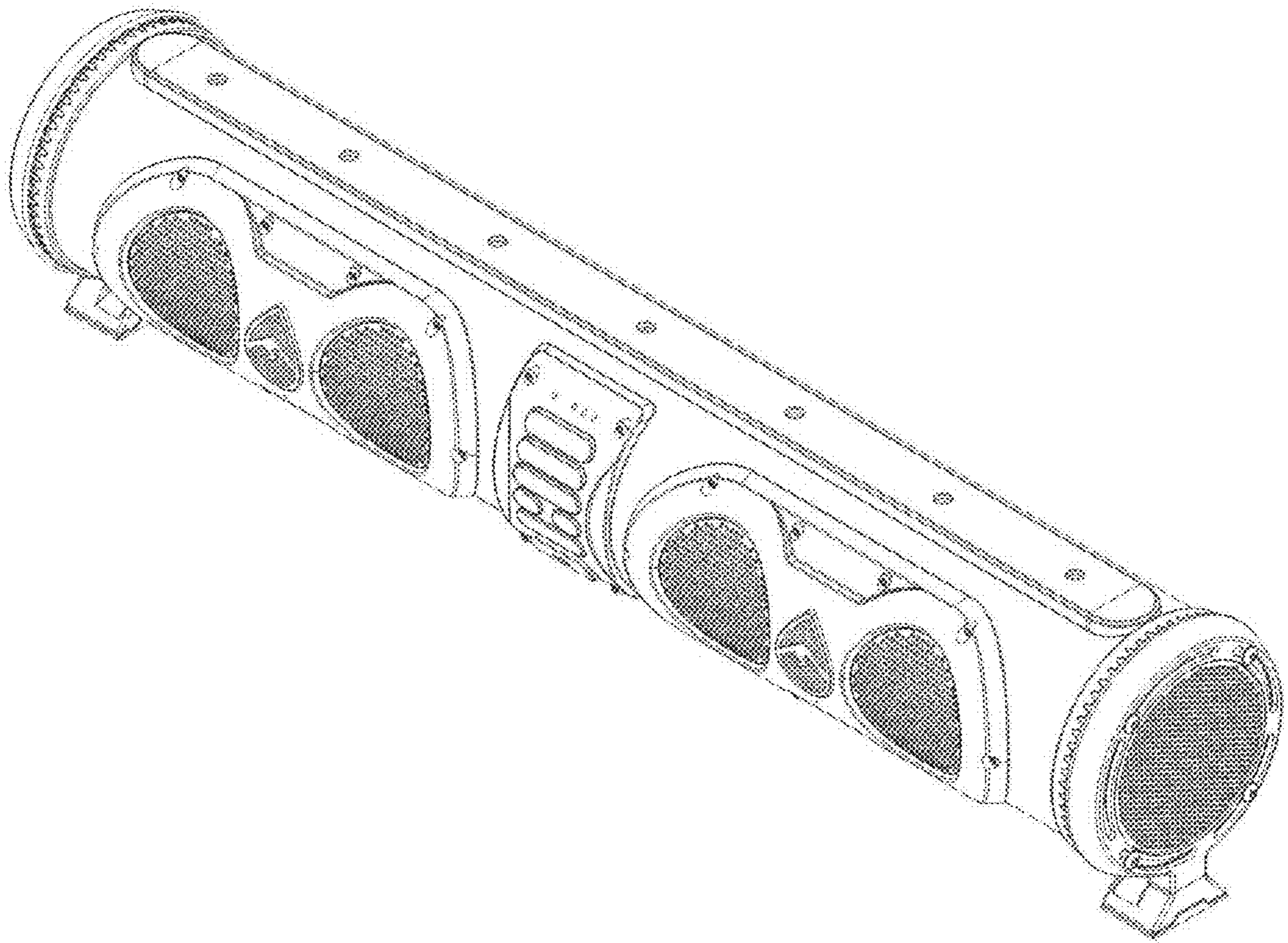


**FIG. 5**



**FIG. 6**





**FIG. 7**