



US00D937241S

(12) **United States Design Patent** (10) **Patent No.:** **US D937,241 S**
Liu (45) **Date of Patent:** **** Nov. 30, 2021**

(54) **RECORD PLAYER**

(71) Applicant: **Xin Fang Liu**, Maoming (CN)

(72) Inventor: **Xin Fang Liu**, Maoming (CN)

(**) Term: **15 Years**

(21) Appl. No.: **29/765,837**

(22) Filed: **Jan. 12, 2021**

(51) **LOC (13) Cl.** **14-01**

(52) **U.S. Cl.**
USPC **D14/203**

(58) **Field of Classification Search**
USPC D14/199-203, 261, 262
CPC G11B 23/00; G11B 19/16; G11B 19/2009;
G11B 17/16

See application file for complete search history.

(56) **References Cited**

U.S. PATENT DOCUMENTS

D241,574 S *	9/1976	Mukai et al.	D14/202
D247,488 S *	3/1978	Ohtomo	D14/202
D249,143 S *	8/1978	Ohtomo	D14/203
D252,392 S	7/1979	Vong	
D252,393 S *	7/1979	Kashidaira	D14/203
D253,290 S	10/1979	Christie	
D253,648 S *	12/1979	Ohtomo	D14/203
D256,461 S *	8/1980	Guillon	D14/261
D258,652 S *	3/1981	Guillon	D14/261
D433,011 S *	10/2000	O'Donnell	D14/202
D803,182 S *	11/2017	Czaniecki	D14/203
D879,740 S *	3/2020	Wu	D14/203
D887,386 S *	6/2020	Shi	D14/202
D900,781 S *	11/2020	Yagi	D14/203
D902,172 S *	11/2020	Lieblein	D14/203
D902,174 S *	11/2020	Lieblein	D14/203
D904,996 S *	12/2020	Kim	D14/203

D904,997 S *	12/2020	Kim	D14/203
D908,658 S *	1/2021	Yang	D14/202
2012/0230175 A1 *	9/2012	Ward	G11B 23/44 369/271.1
2019/0013040 A1 *	1/2019	Tanishima	G11B 3/60

FOREIGN PATENT DOCUMENTS

CN	304332896	* 10/2017
CN	304629952	* 5/2018
CN	304864738	* 10/2018

* cited by examiner

Primary Examiner — Wendy L Arminio
(74) *Attorney, Agent, or Firm* — W&KIP

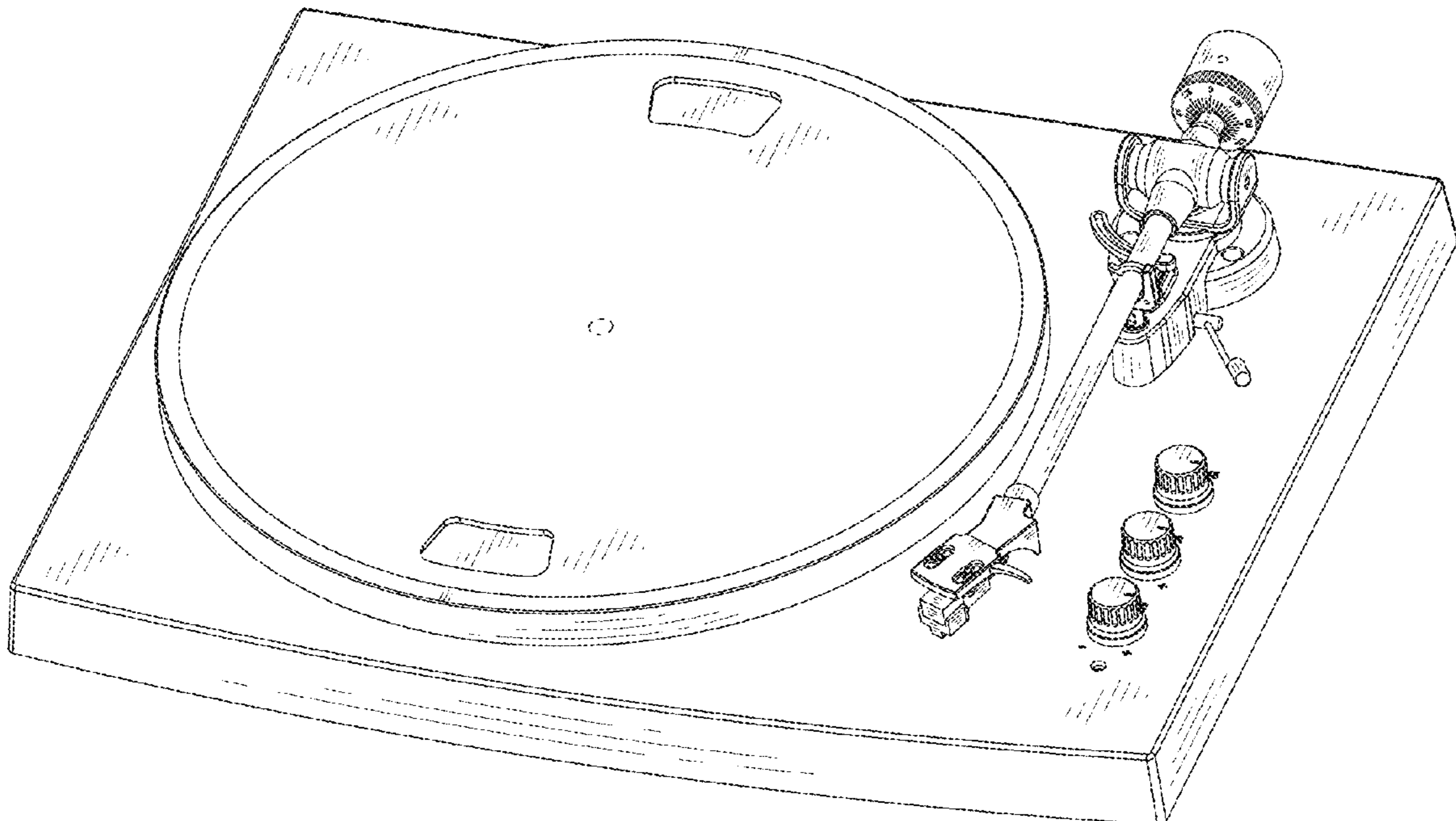
(57) **CLAIM**

The ornamental design for a record player, as shown and described.

DESCRIPTION

FIG. 1 is a perspective view of a record player showing my new design;
FIG. 2 is a front view thereof;
FIG. 3 is a rear view thereof;
FIG. 4 is a left side view thereof;
FIG. 5 is a right side view thereof;
FIG. 6 is a top plan view thereof;
FIG. 7 is a bottom plan view thereof; and,
FIG. 8 is another perspective view thereof.
The dashed or broken lines shown in the drawings depict portions of the record player in which the design is embodied that form no part of the claimed design.

1 Claim, 8 Drawing Sheets



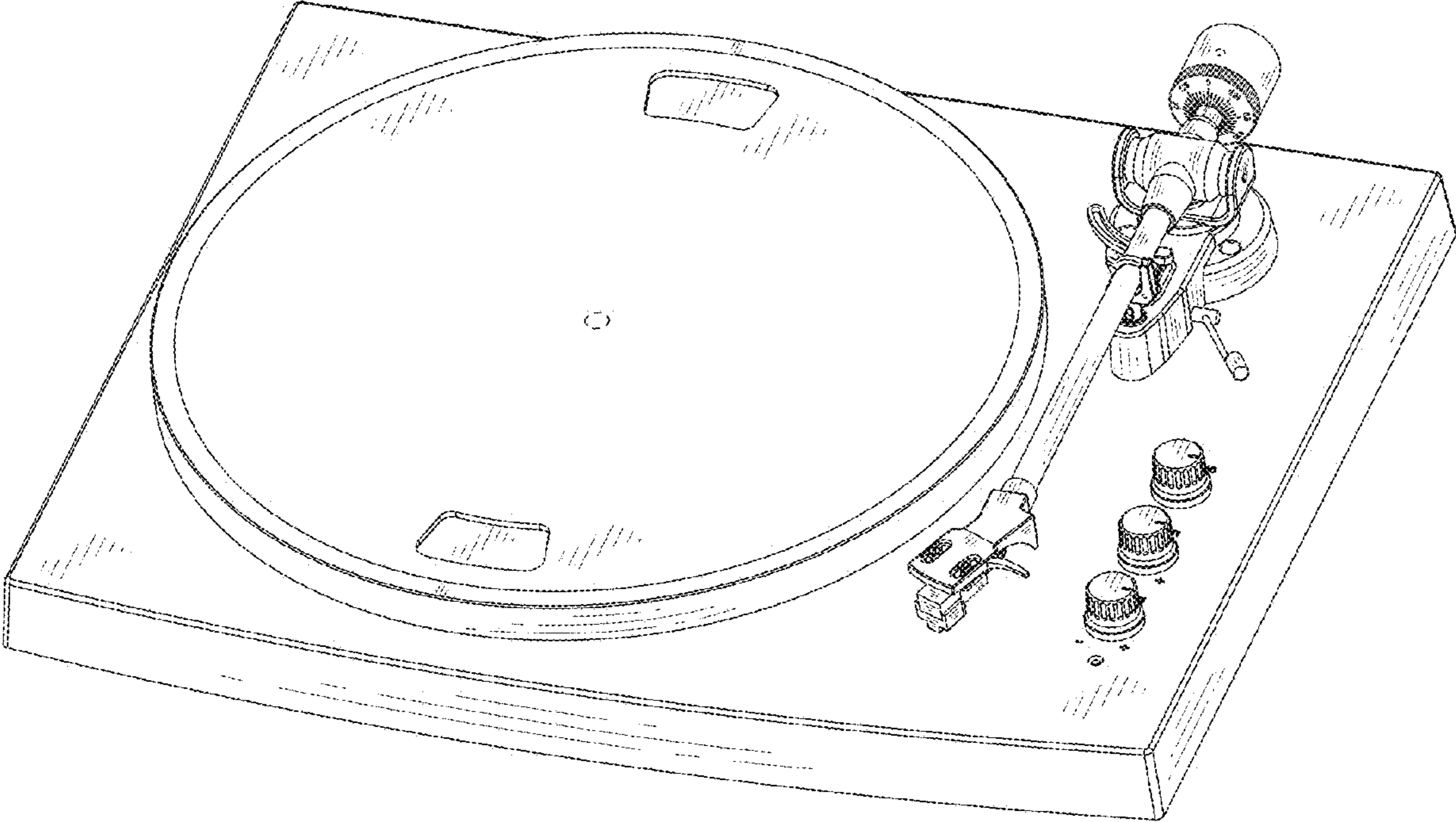


FIG. 1

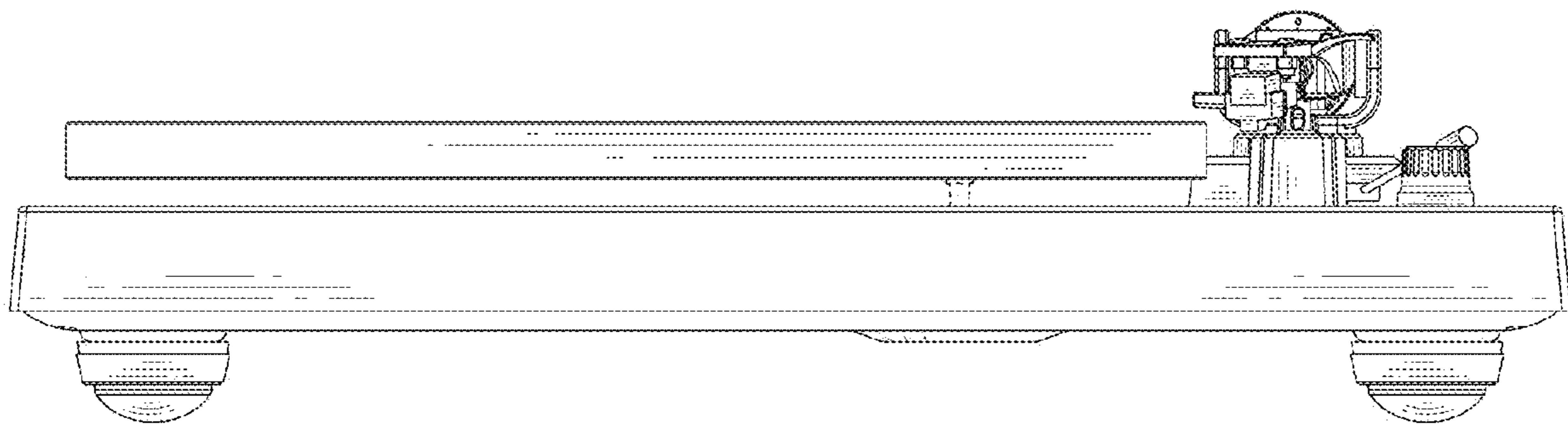


FIG. 2

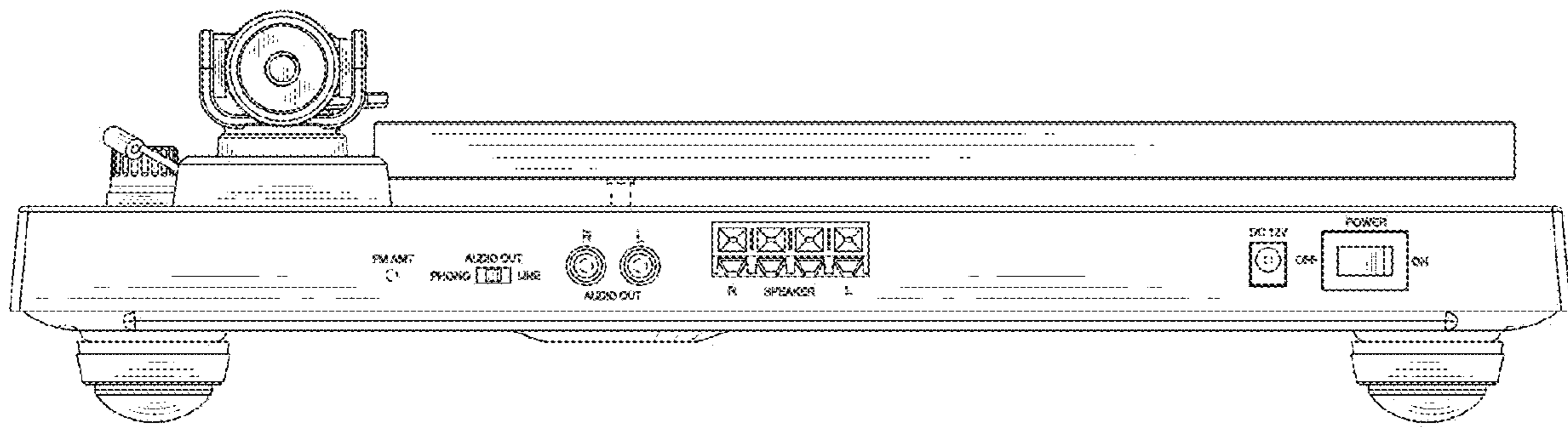


FIG. 3

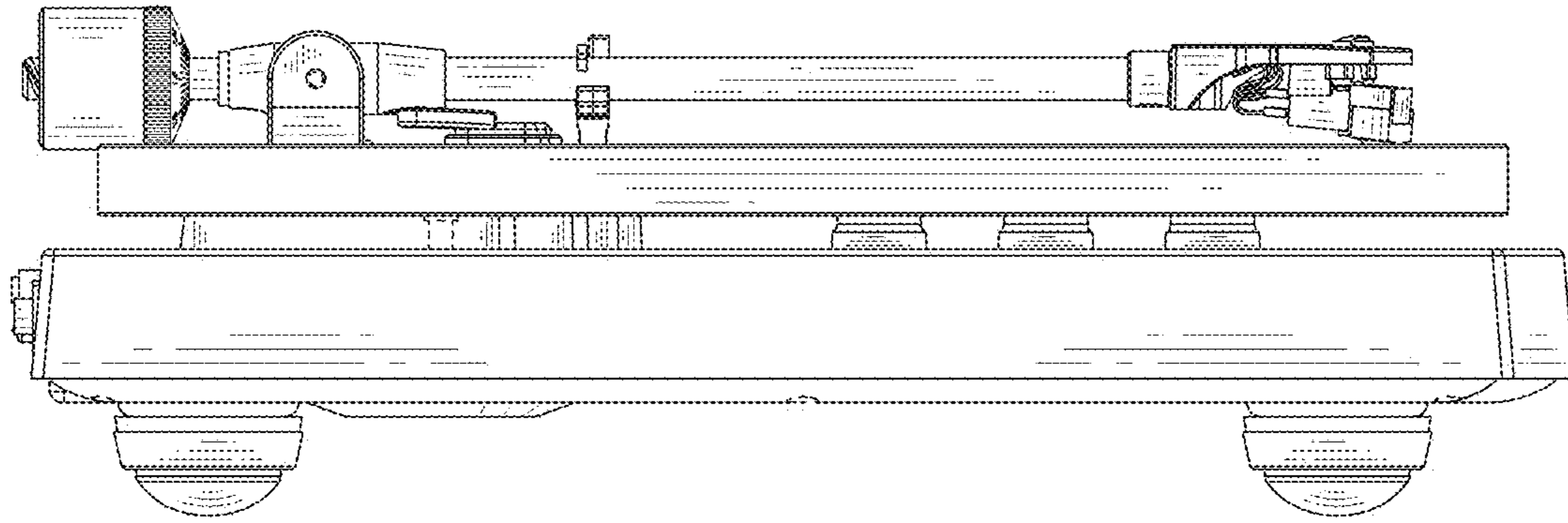


FIG. 4

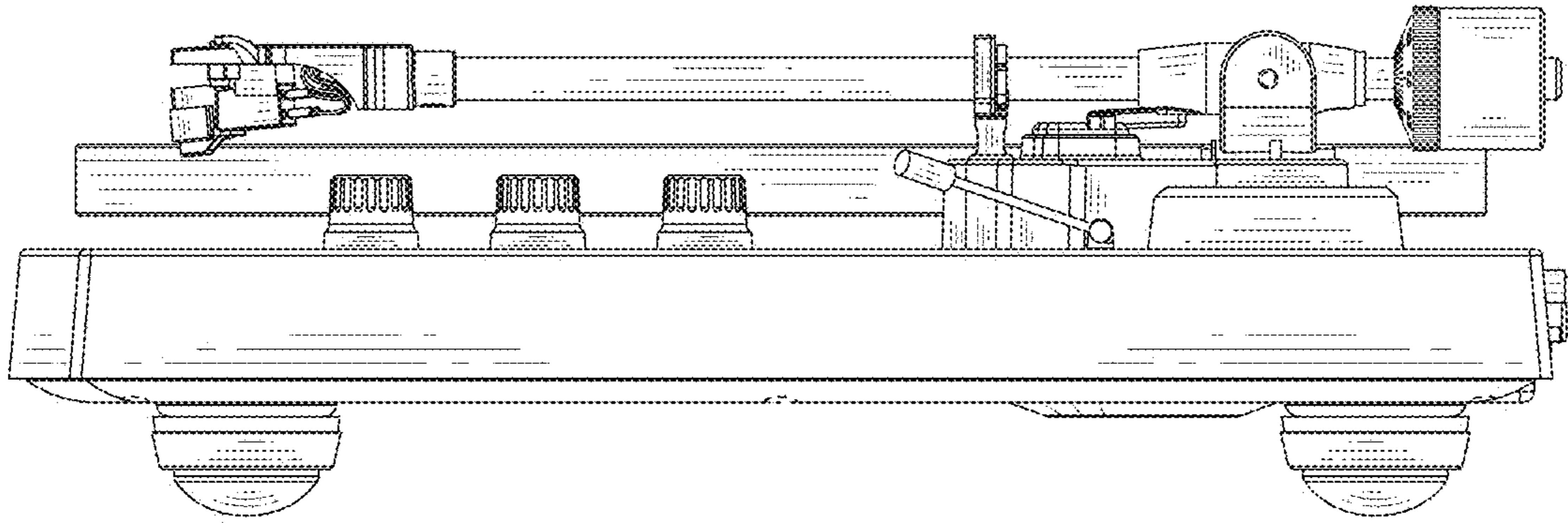


FIG. 5

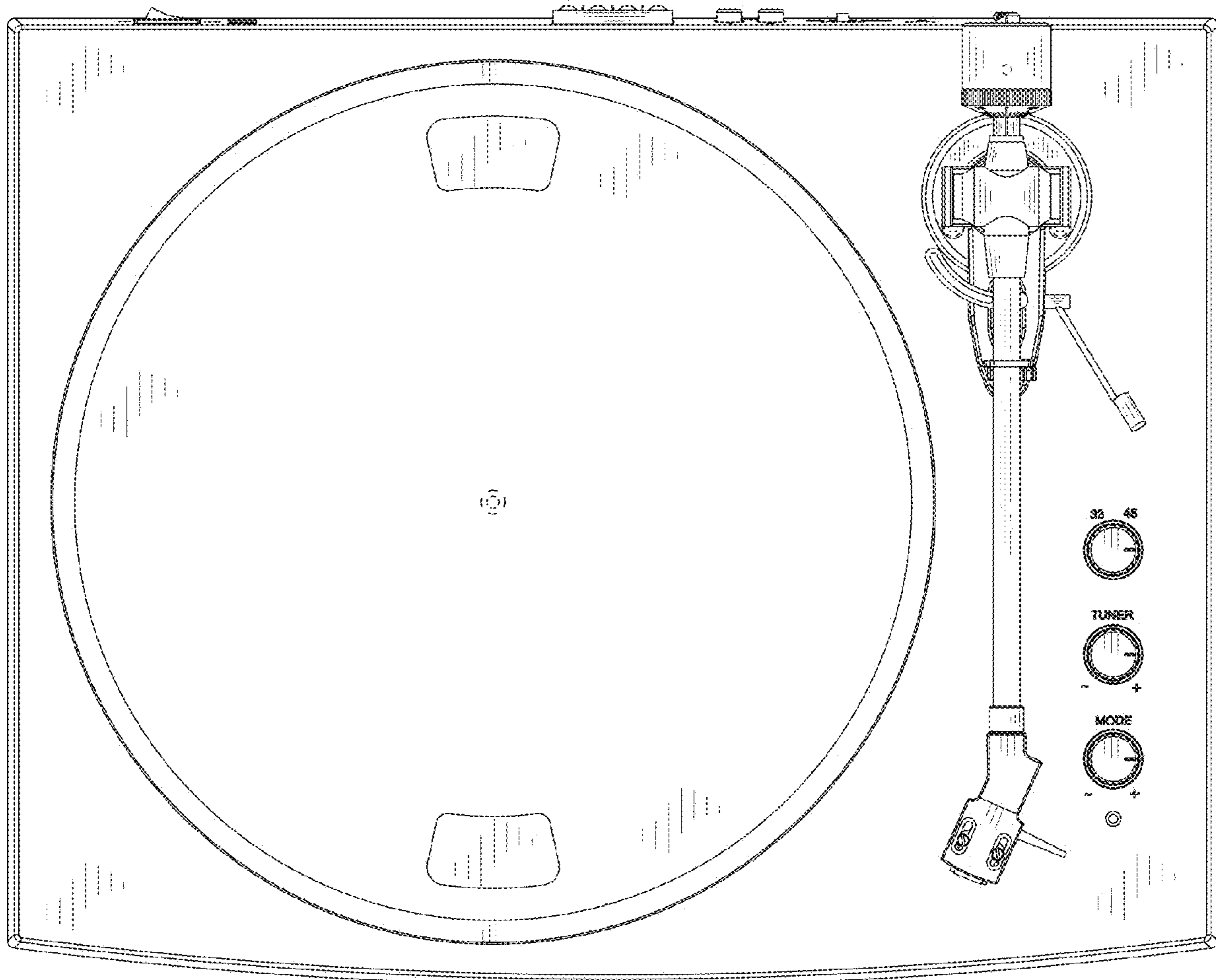


FIG. 6

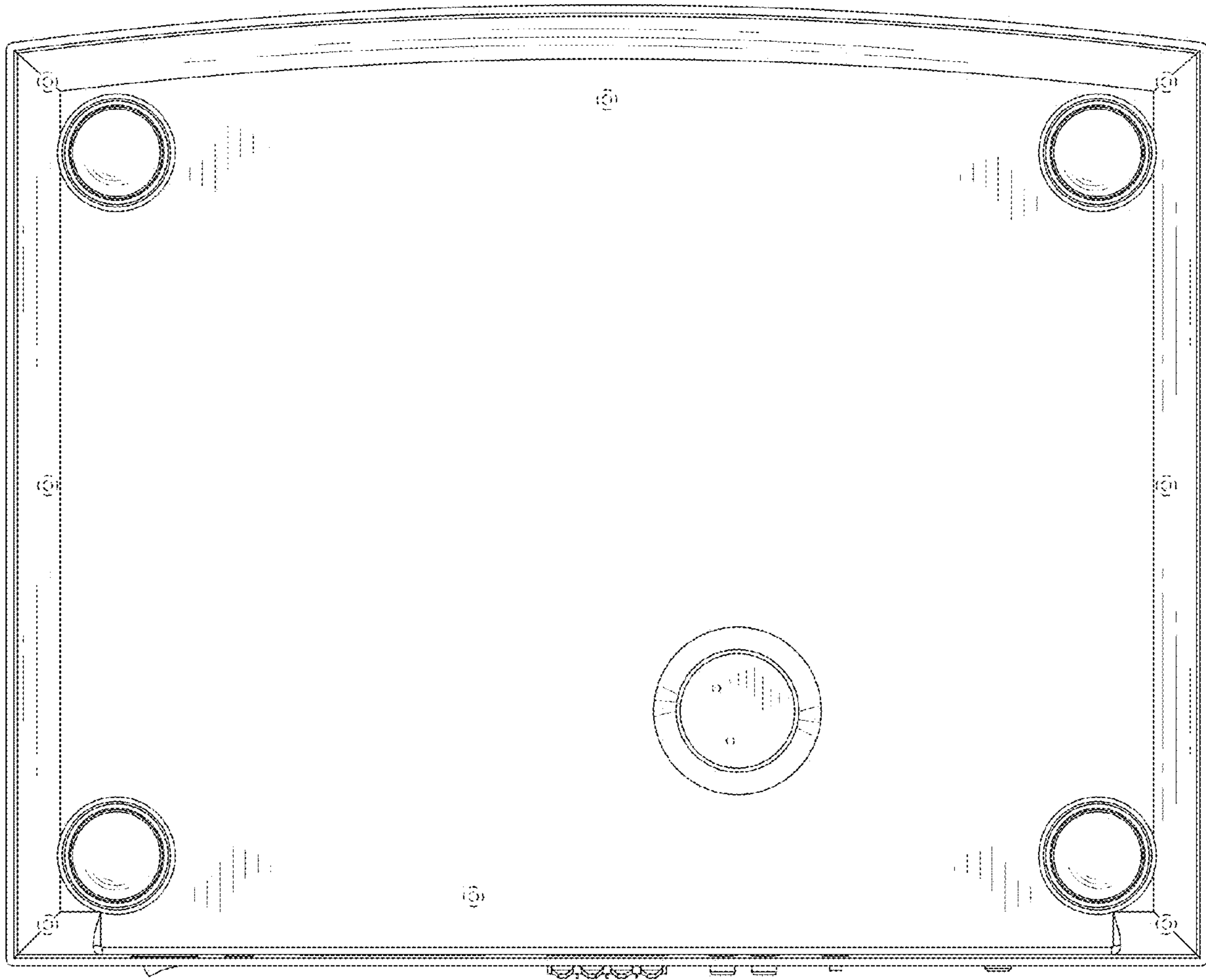


FIG. 7

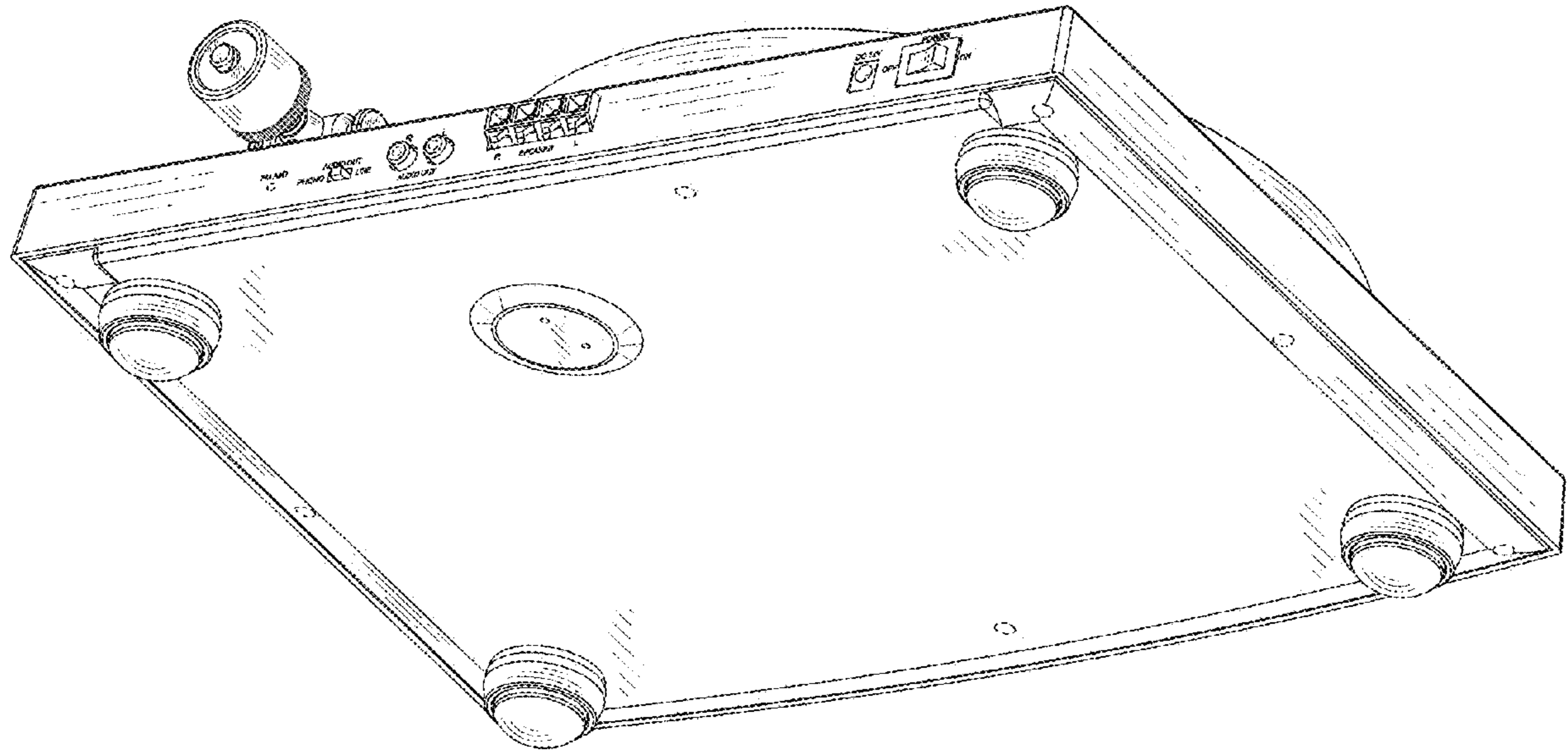


FIG. 8